



US00D802042S

(12) **United States Design Patent**
Peabody et al.

(10) **Patent No.:** **US D802,042 S**
(45) **Date of Patent:** **** Nov. 7, 2017**

(54) **CAMERA AND MOUNT ASSEMBLY FOR A VEHICLE**

(71) Applicant: **TASER International, Inc.**, Scottsdale, AZ (US)

(72) Inventors: **Anne F. Peabody**, Scottsdale, AZ (US);
David I. Anderson, Mesa, AZ (US);
Christopher M. Buttenob, Scottsdale, AZ (US); **John W. Wilson**, Phoenix, AZ (US)

(73) Assignee: **AXON ENTERPRISE, INC.**, Scottsdale, AZ (US)

(**) Term: **15 Years**

(21) Appl. No.: **29/542,510**

(22) Filed: **Oct. 14, 2015**

(51) **LOC (10) Cl.** **16-01**

(52) **U.S. Cl.**

USPC **D16/202; D16/242**

(58) **Field of Classification Search**

USPC **D16/237, 242-245, 200-220, 239-240; D14/451, 452, 434, 253, 239, 447, 238, D14/209.1**

(Continued)

(56) **References Cited**

U.S. PATENT DOCUMENTS

D388,107 S * 12/1997 Huckins D16/208
D525,642 S * 7/2006 Yamaguchi D16/245

(Continued)

Primary Examiner — Susan Bennett Hattan

Assistant Examiner — Brett Miller

(74) *Attorney, Agent, or Firm* — D. Lawrence Letham

(57) **CLAIM**

The ornamental design for a camera and mount assembly for a vehicle, as shown and described.

DESCRIPTION

FIG. 1 is a rear view of the camera and mount assembly for a vehicle in which the camera mount is separated from the camera and is positioned above the camera;
FIG. 2 is a left side view of the camera and mount assembly for a vehicle in which the camera mount is separated from the camera and is positioned above the camera;
FIG. 3 is a front view of the camera and mount assembly for a vehicle in which the camera mount is separated from the camera and is positioned above the camera;
FIG. 4 is a right side view of the camera and mount assembly for a vehicle in which the camera mount is separated from the camera and is positioned above the camera;
FIG. 5 is a perspective view of the camera and mount assembly for a vehicle in which the camera mount is separated from the camera and is positioned above the camera with the left, front, and top of the camera and mount assembly for a vehicle visible;
FIG. 6 is a perspective view of the camera and mount assembly for a vehicle in which the camera mount is separated from the camera and is positioned above the camera with the left, front, and bottom of the camera and mount assembly for a vehicle visible;
FIG. 7 is a perspective view of the camera and mount assembly for a vehicle in which the camera mount is separated from the camera and is positioned above the camera with the right, rear, and top of the camera and mount assembly for a vehicle visible;
FIG. 8 is a perspective view of the camera and mount assembly for a vehicle in which the camera mount is separated from the camera and is positioned above the camera with the right, rear, and bottom of the camera and mount assembly for a vehicle visible;
FIG. 9 is a rear view of the camera and mount assembly for a vehicle in which the camera mount is coupled to the camera;

(Continued)

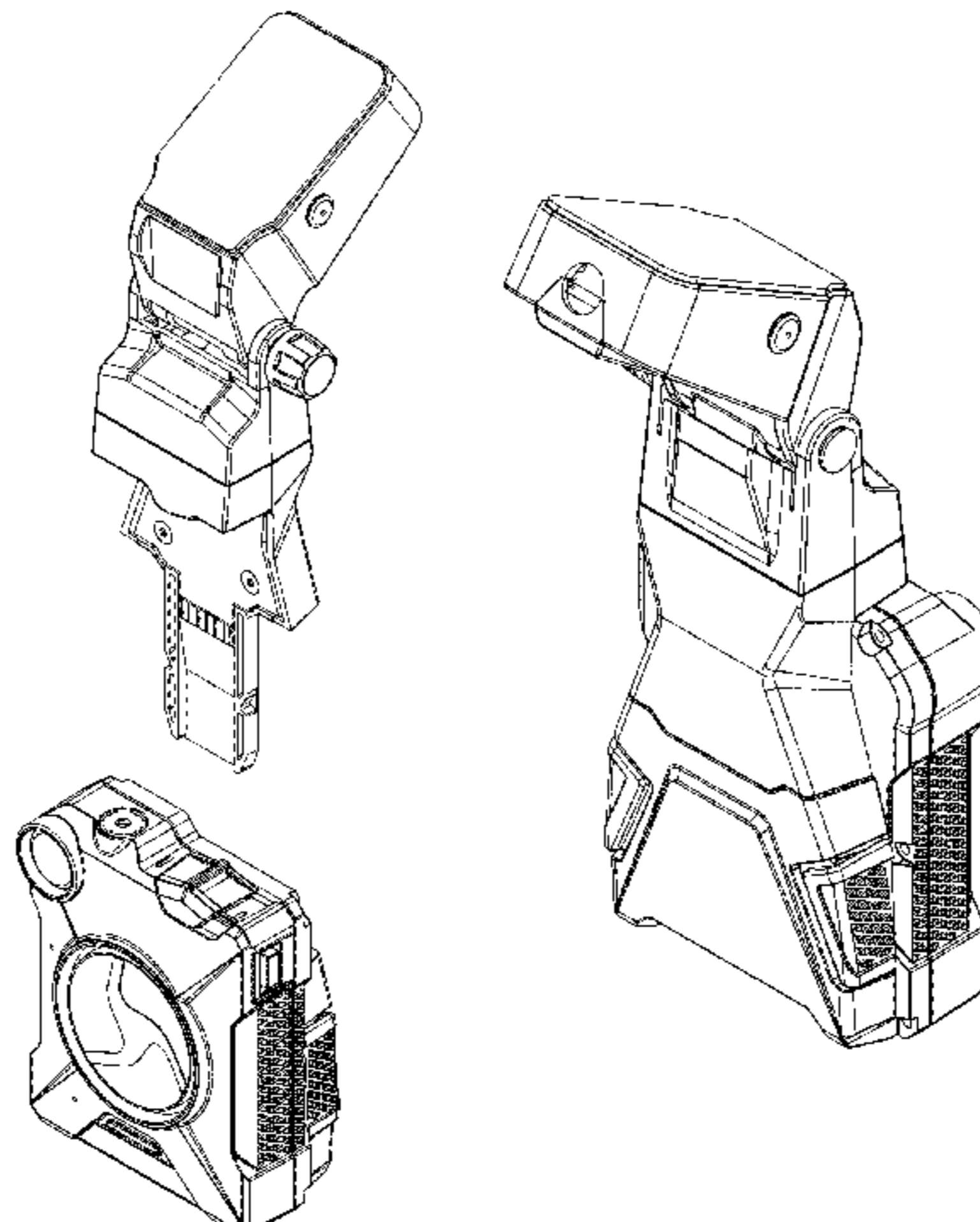


FIG. 10 is a left view of the camera and mount assembly for a vehicle in which the camera mount is coupled to the camera;

FIG. 11 is a front view of the camera and mount assembly for a vehicle in which the camera mount is coupled to the camera;

FIG. 12 is a right view of the camera and mount assembly for a vehicle in which the camera mount is coupled to the camera;

FIG. 13 is a perspective view of the camera and mount assembly for a vehicle in which the camera mount is coupled to the camera with left, rear, and top of the camera and mount assembly for a vehicle visible;

FIG. 14 is a perspective view of the camera and mount assembly for a vehicle in which the camera mount is coupled to the camera with left, rear, and bottom of the camera and mount assembly for a vehicle visible;

FIG. 15 is a perspective view of the camera and mount assembly for a vehicle in which the camera mount is coupled to the camera with right, front, and top of the camera and mount assembly for a vehicle visible;

FIG. 16 is a perspective view of the camera and mount assembly for a vehicle in which the camera mount is coupled to the camera with right, front, and bottom of the camera and mount assembly for a vehicle visible;

FIG. 17 is a top view of the camera and mount assembly for a vehicle in which the camera mount is coupled to the camera; and,

FIG. 18 is a bottom view of the camera and mount assembly for a vehicle in which the camera mount is coupled to the camera.

1 Claim, 18 Drawing Sheets

(58) **Field of Classification Search**

CPC F16M 13/00; B60R 11/04; B60R 11/0026;
G03B 17/56; G03B 17/561; G03B 17/566
See application file for complete search history.

(56) **References Cited**

U.S. PATENT DOCUMENTS

D628,614	S	*	12/2010	Barley	D16/203
D721,123	S	*	1/2015	Rivkin	D16/242
D733,783	S	*	7/2015	Wu	D16/206
D750,612	S	*	3/2016	Chen	D14/447
D754,768	S	*	4/2016	Patulski	D16/202
D754,769	S	*	4/2016	Patulski	D16/202
D781,363	S	*	3/2017	Ikegame	D16/211
2012/0174382	A1	*	7/2012	Dering	F16M 13/00 29/525.01
2016/0119514	A1	*	4/2016	Sugimura	G03B 17/561 348/148

* cited by examiner

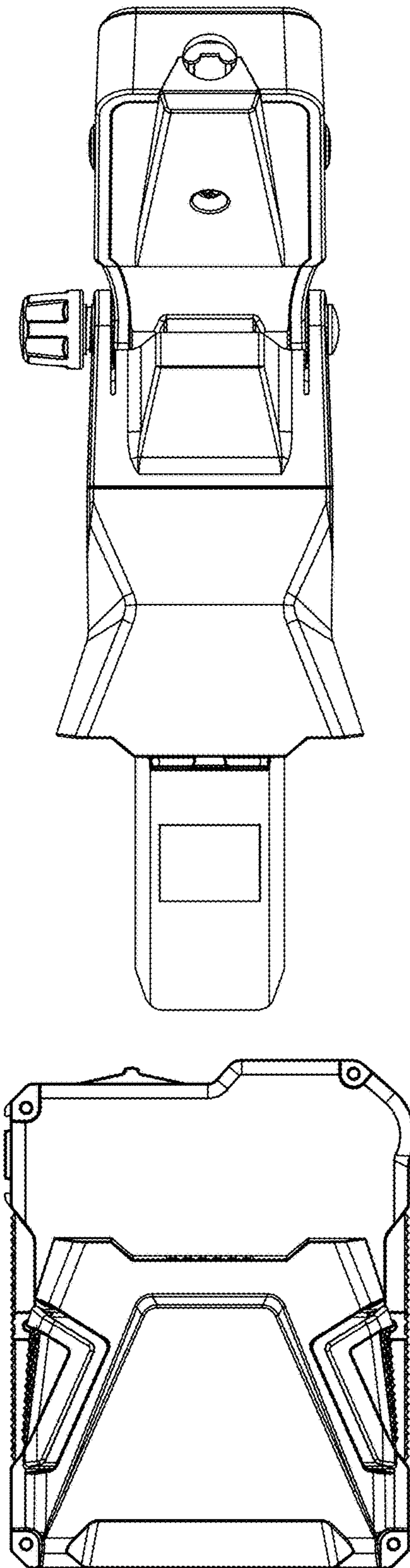


FIG. 1

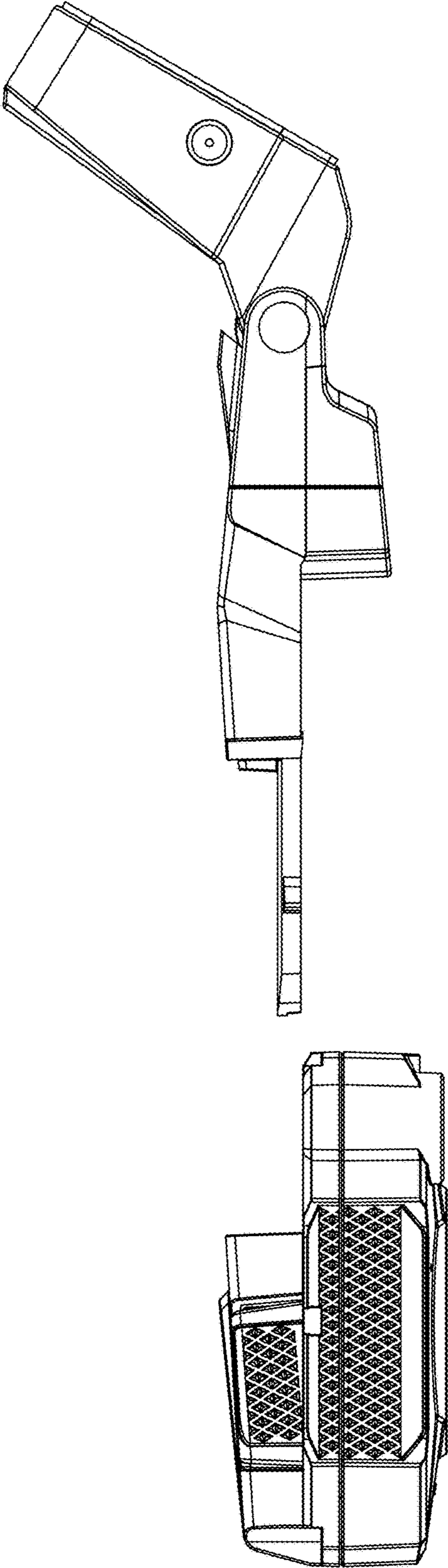


FIG. 2

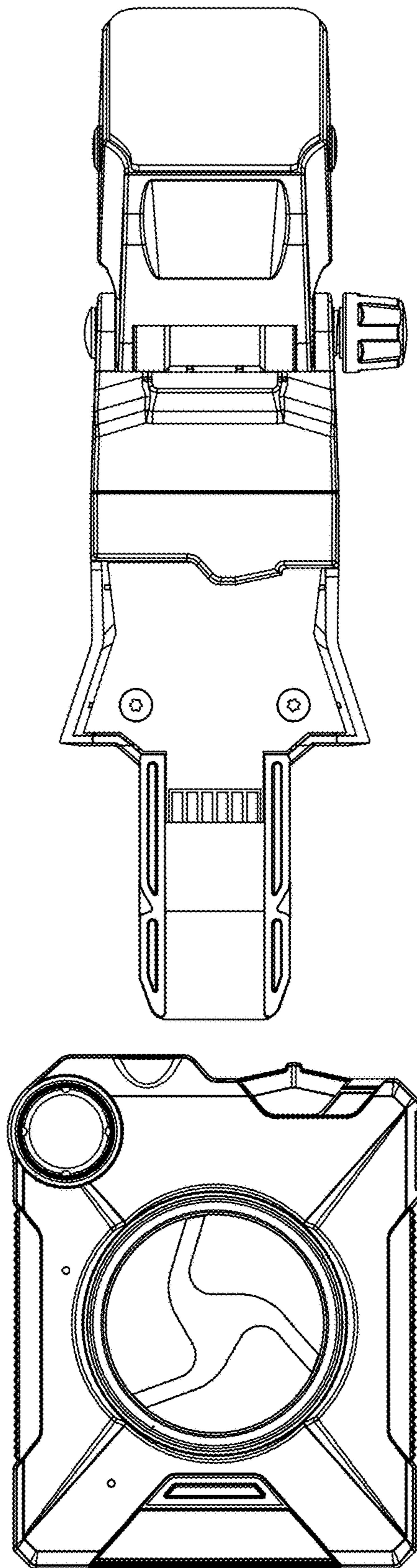


FIG. 3

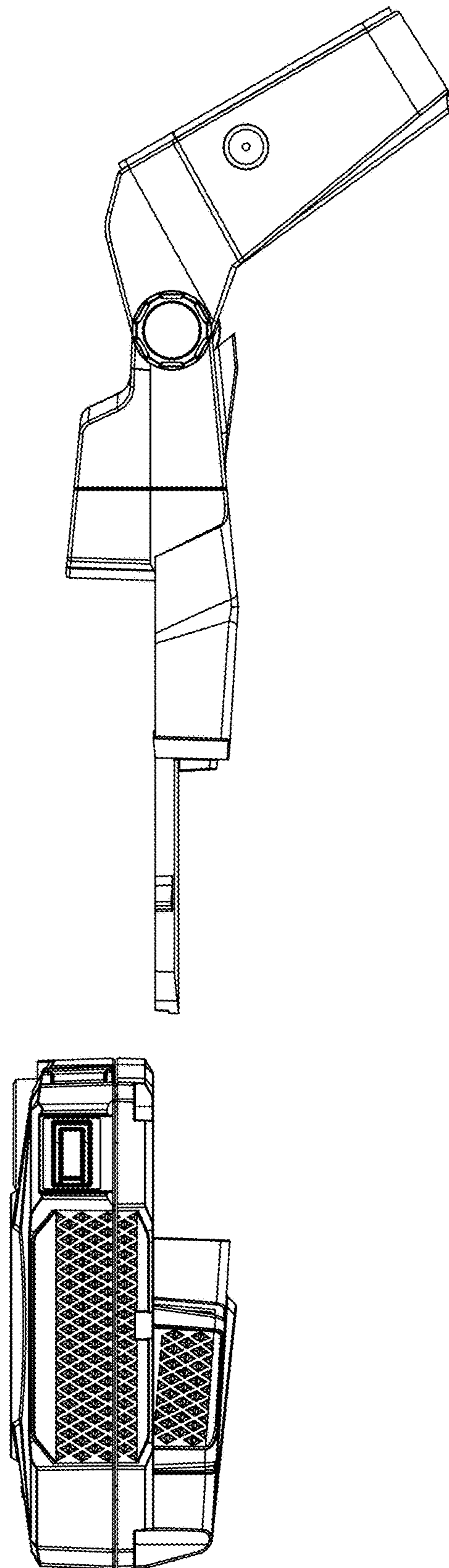


FIG. 4

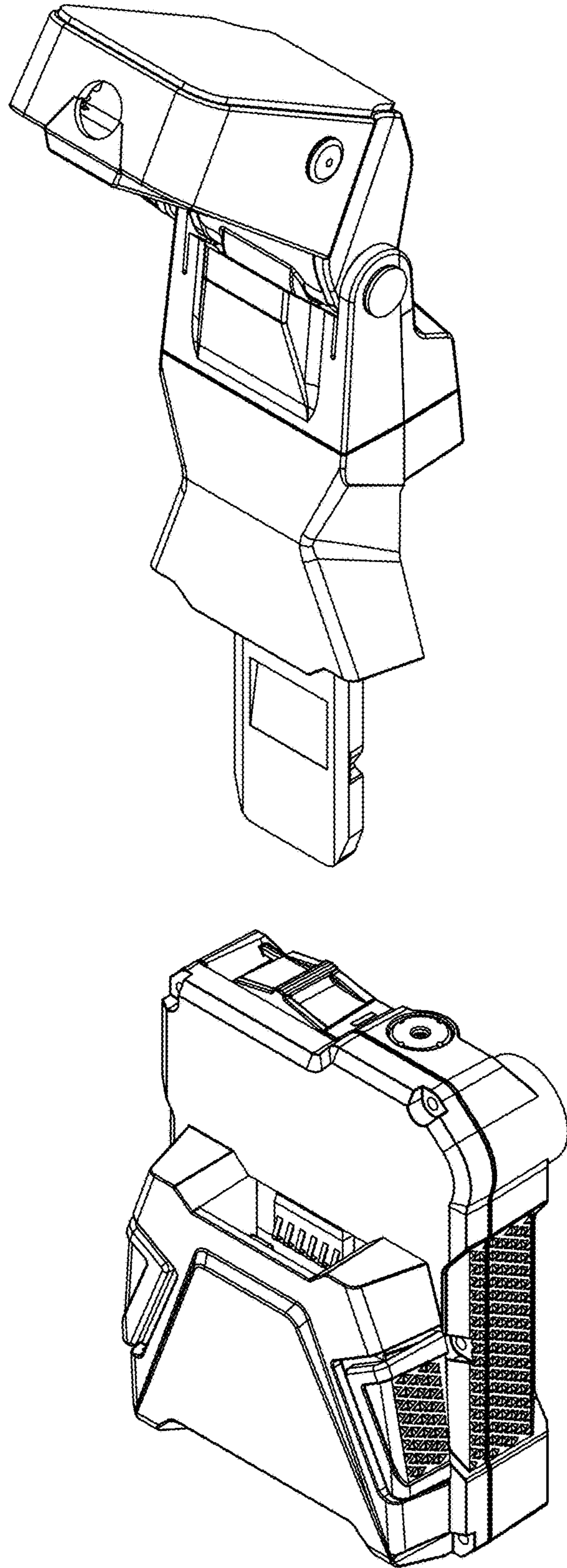


FIG. 5

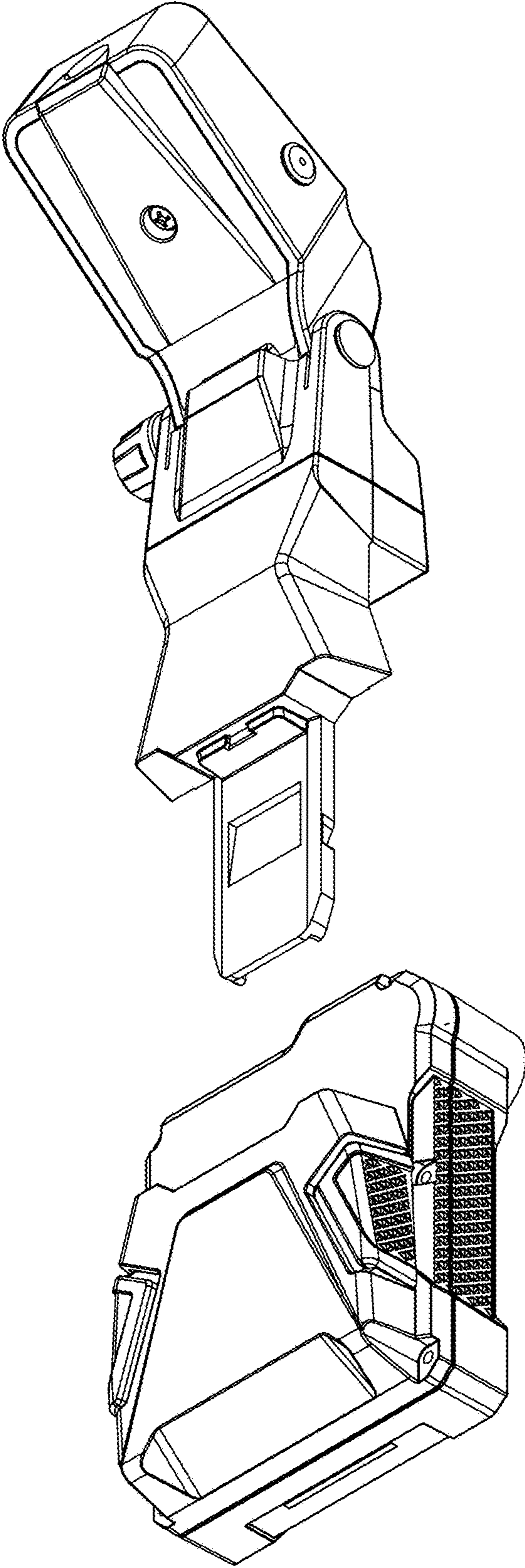


FIG. 6

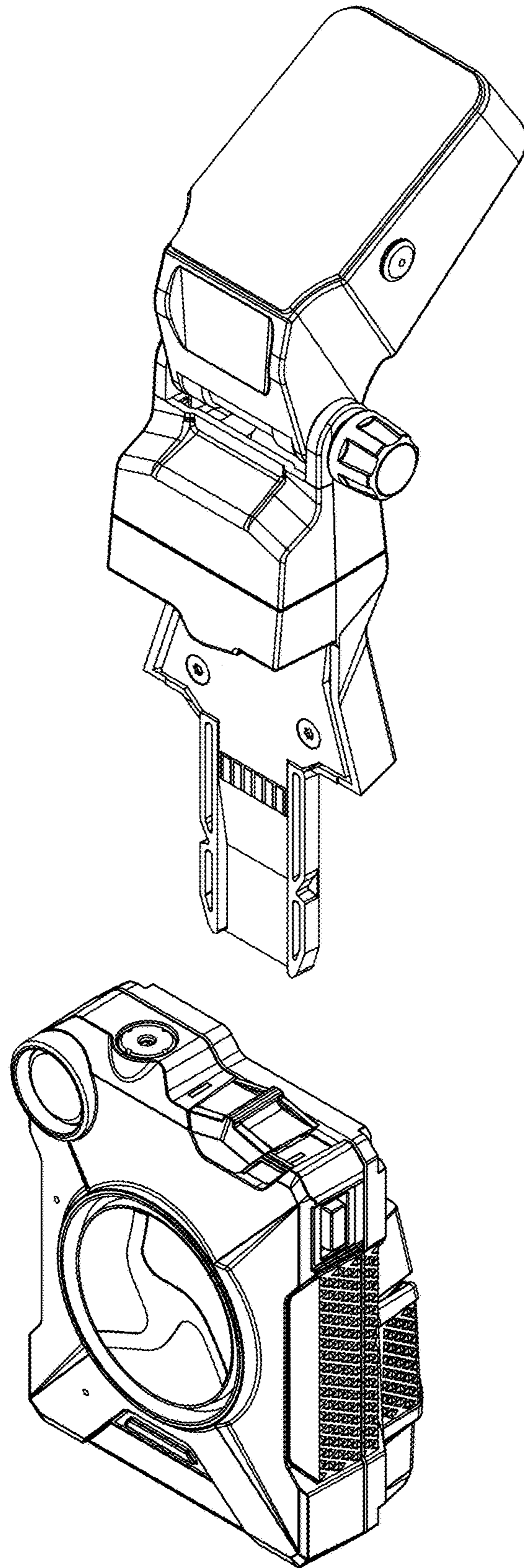


FIG. 7

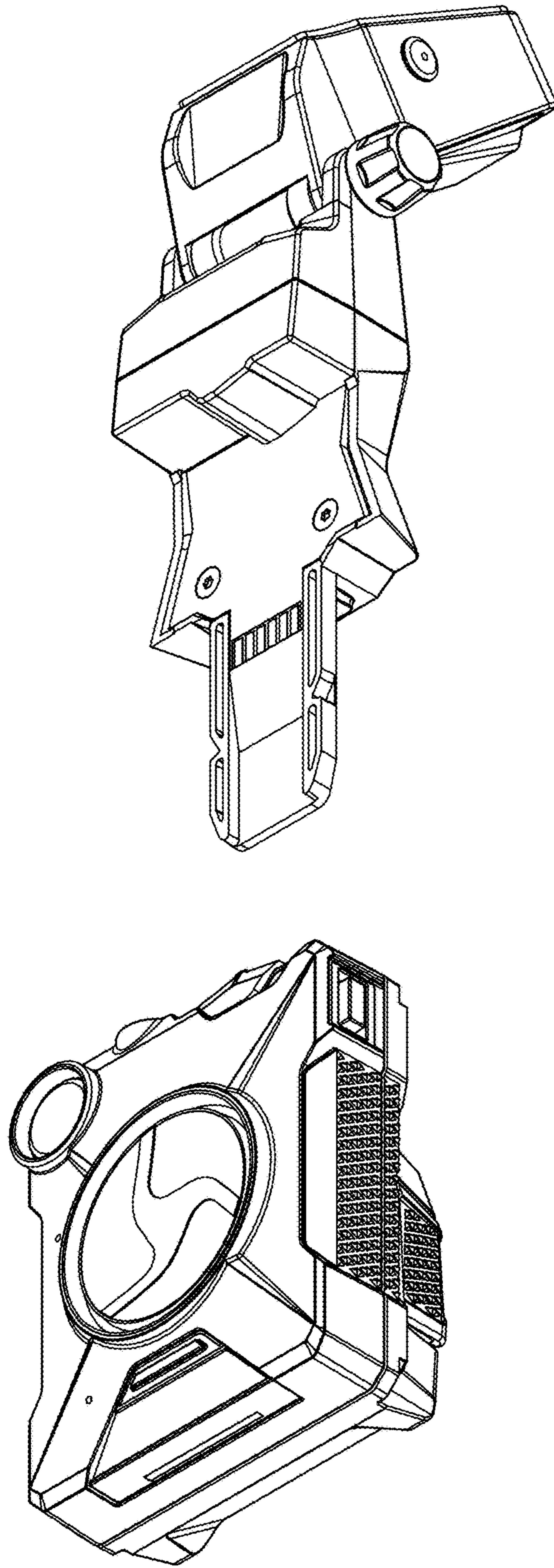


FIG. 8

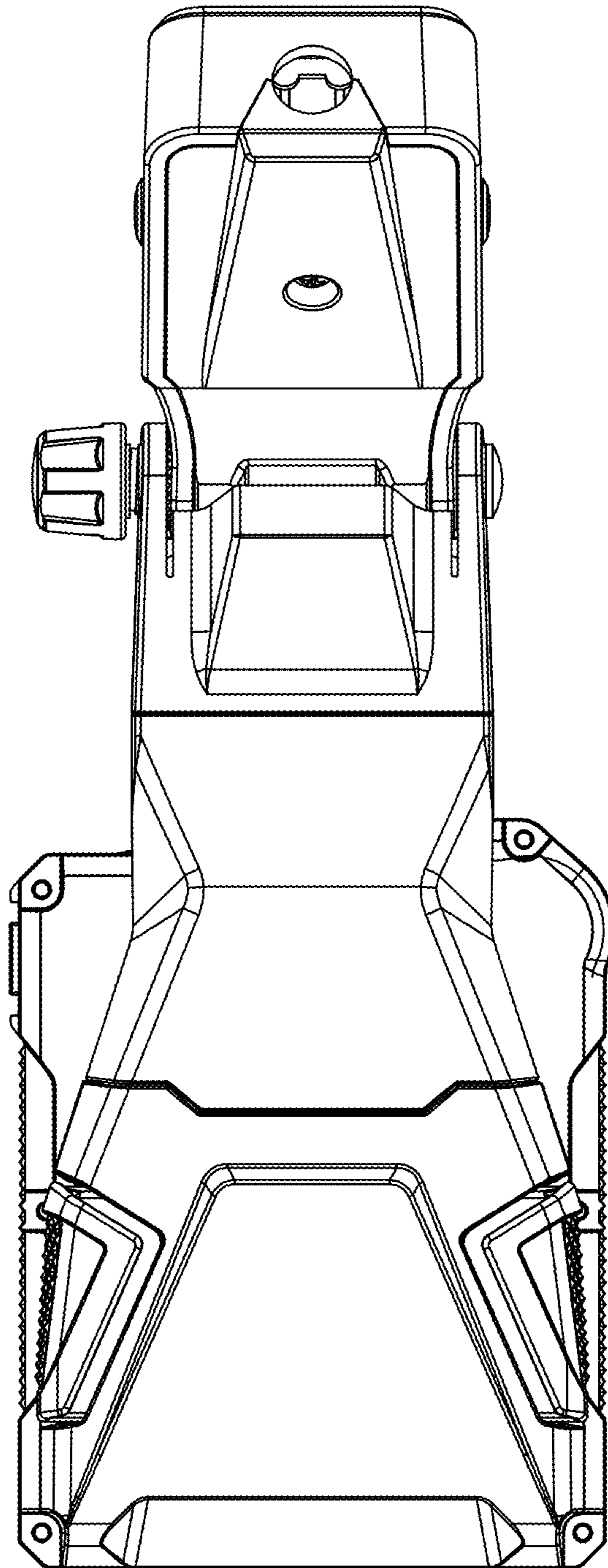


FIG. 9

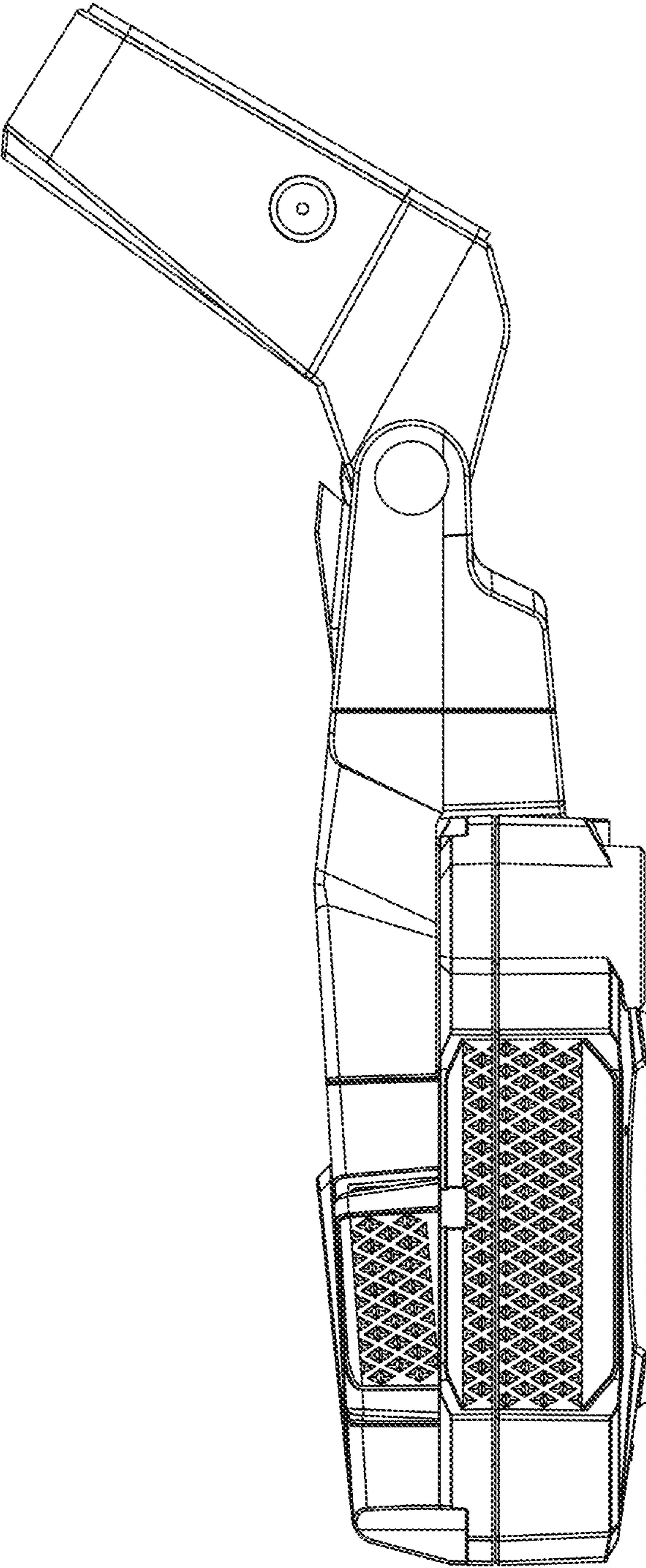


FIG. 10

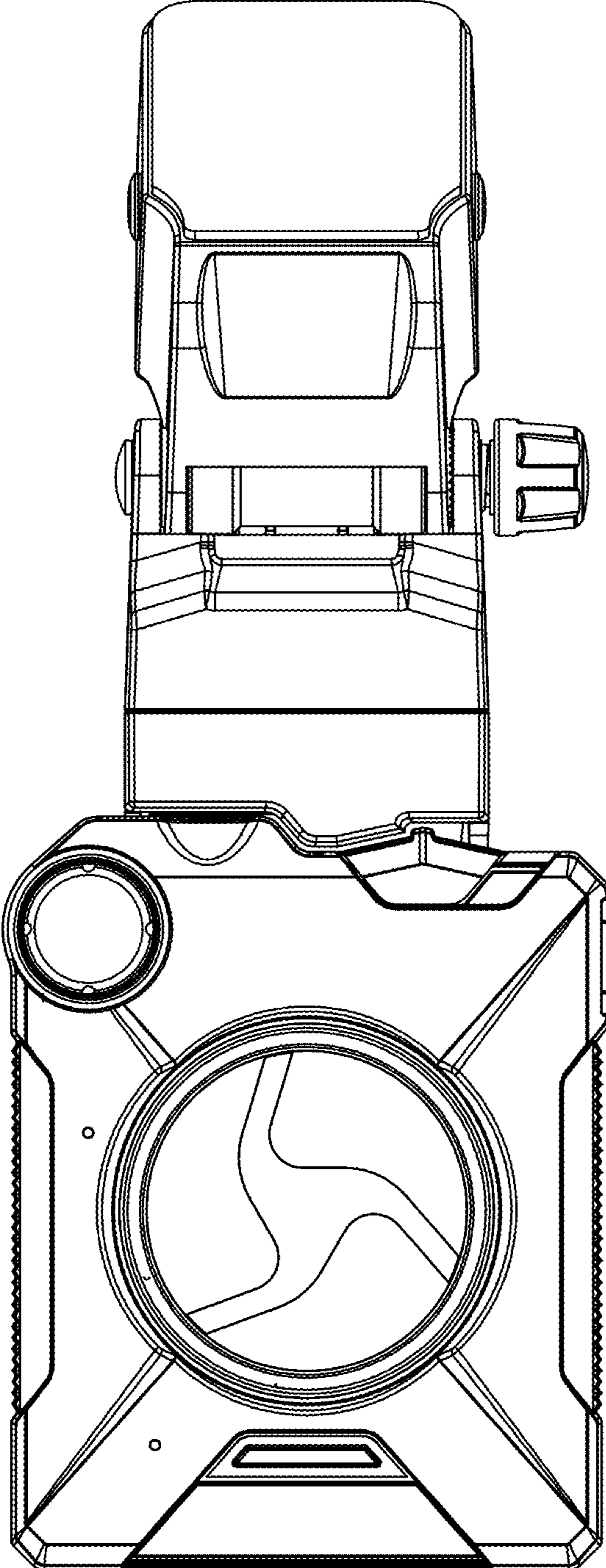


FIG. 11

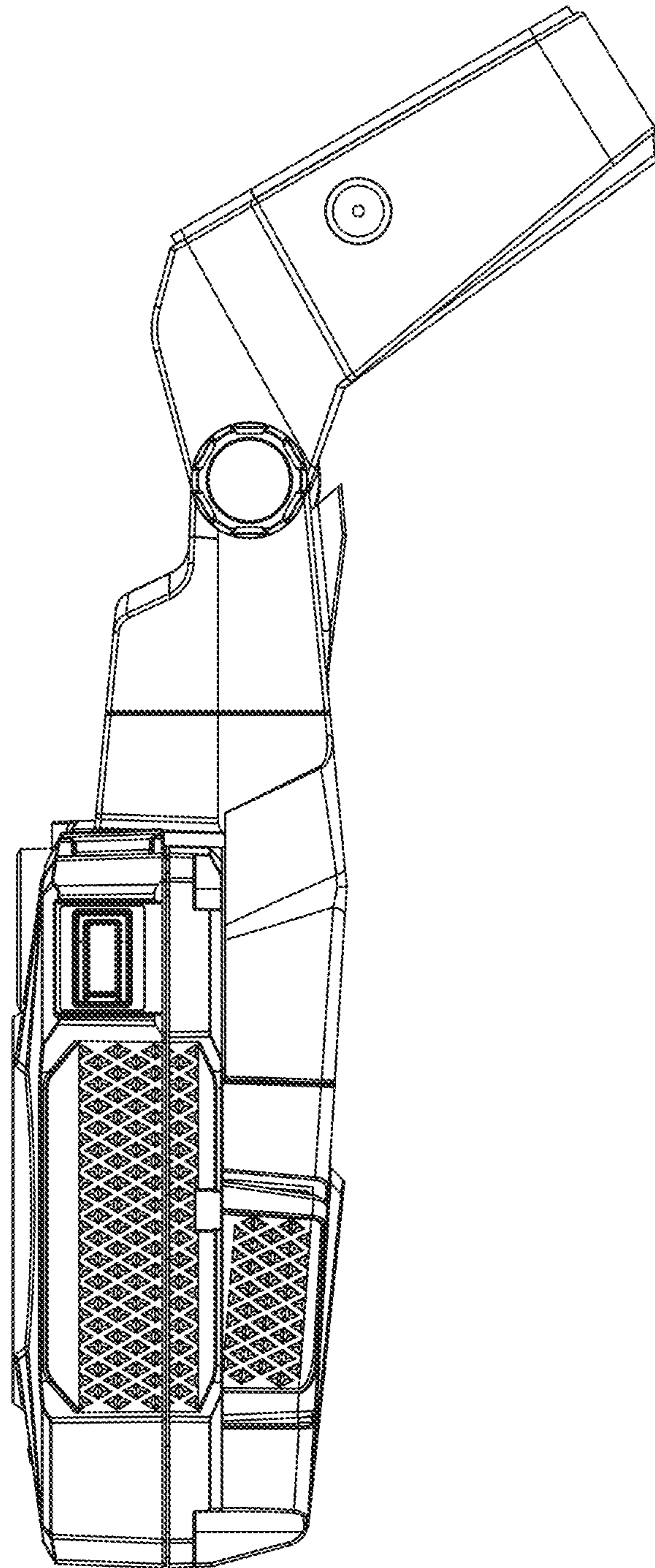


FIG. 12

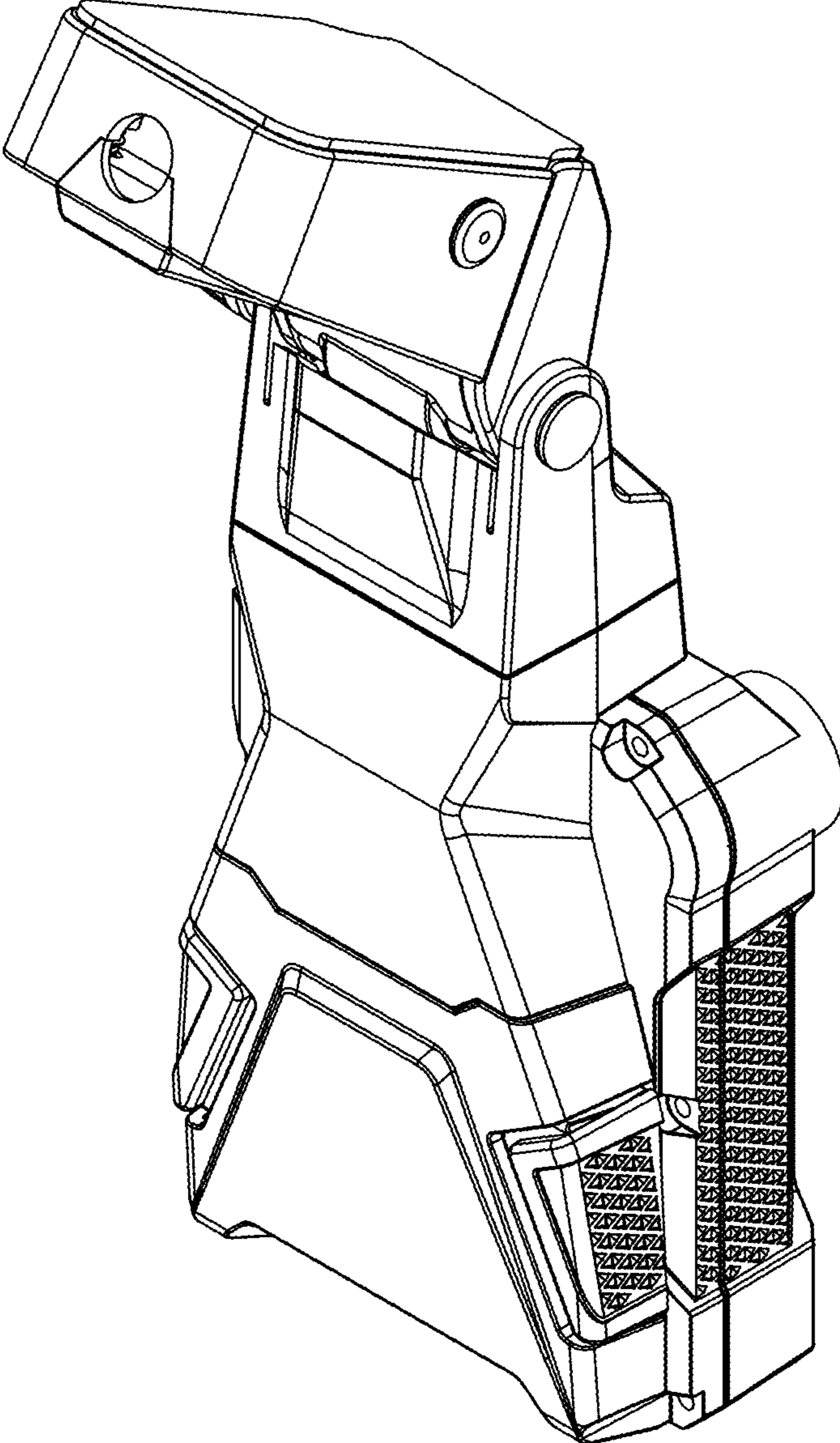


FIG. 13

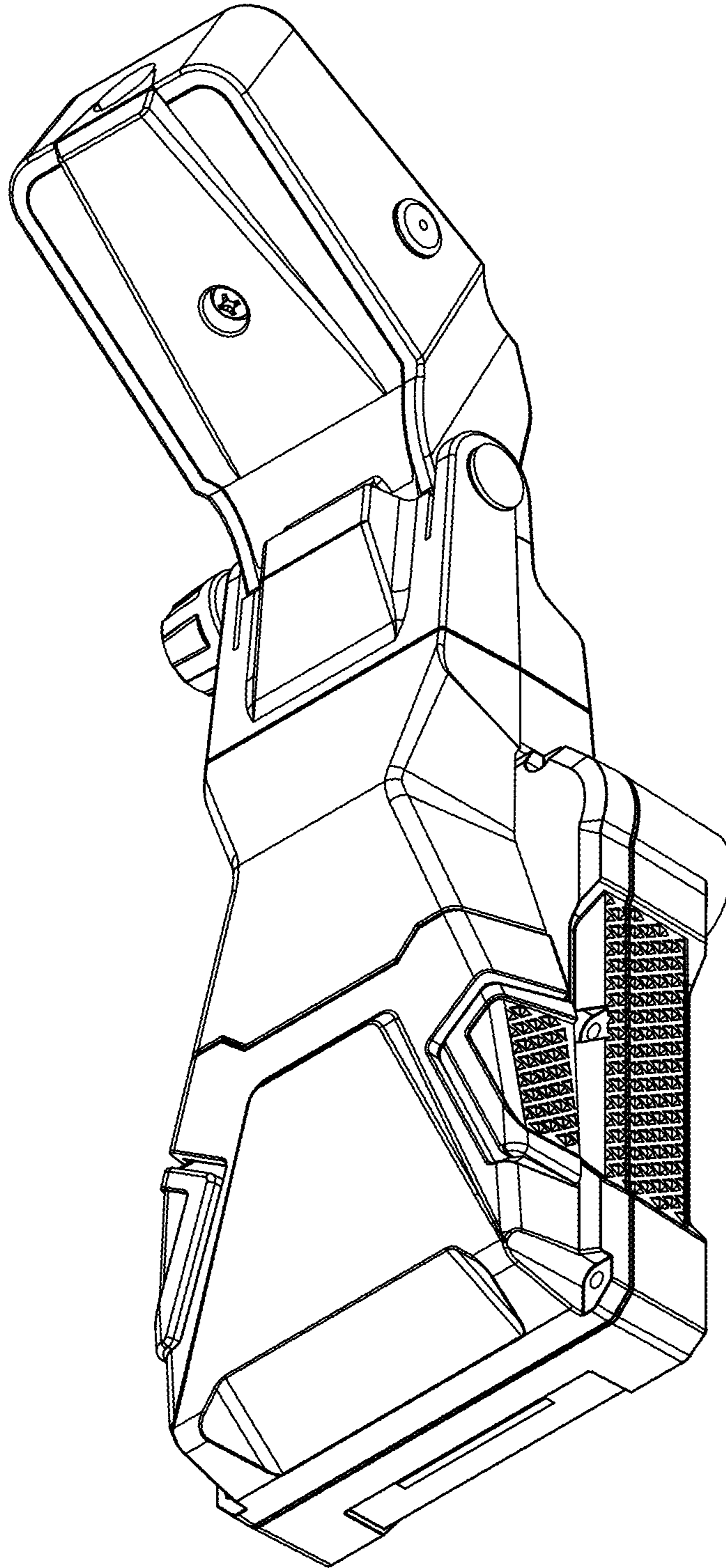


FIG. 14

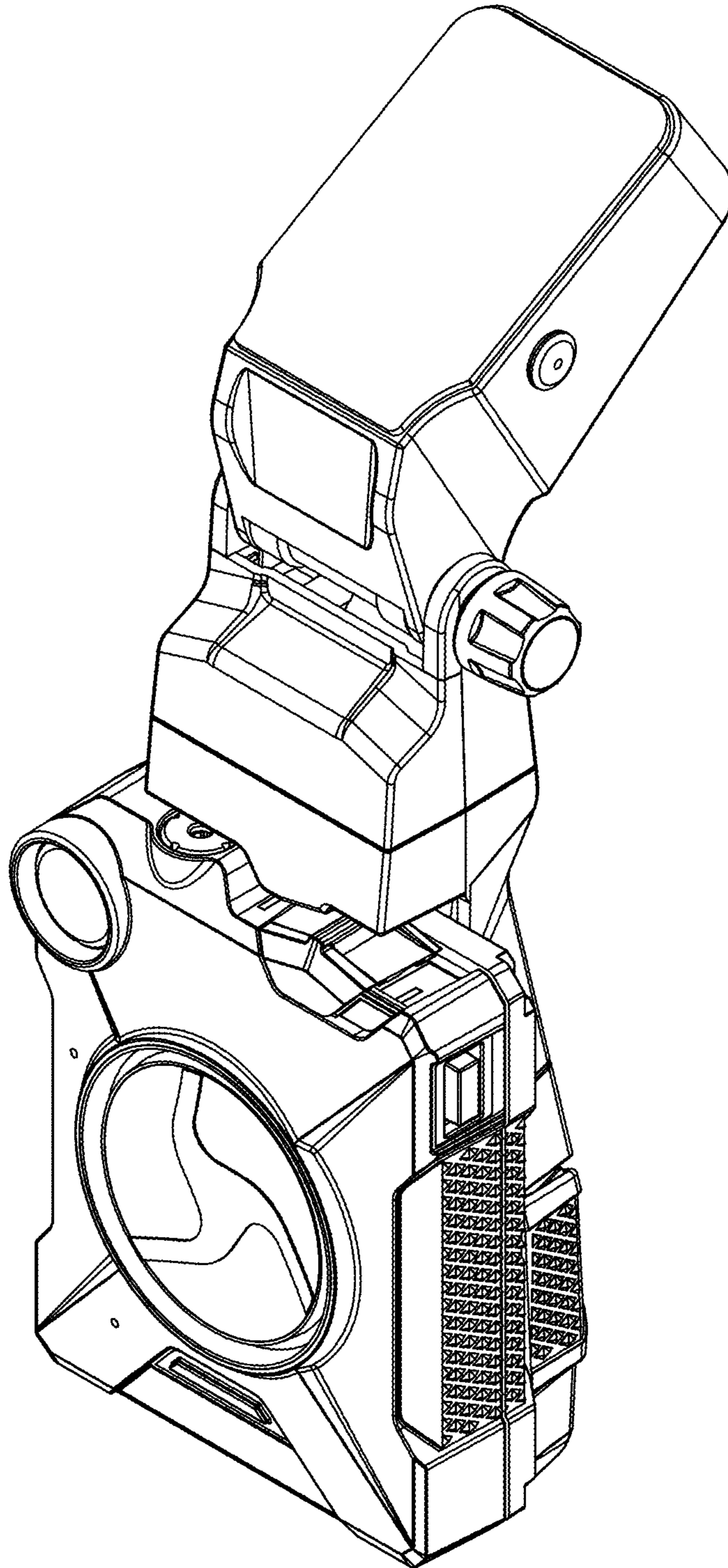


FIG. 15

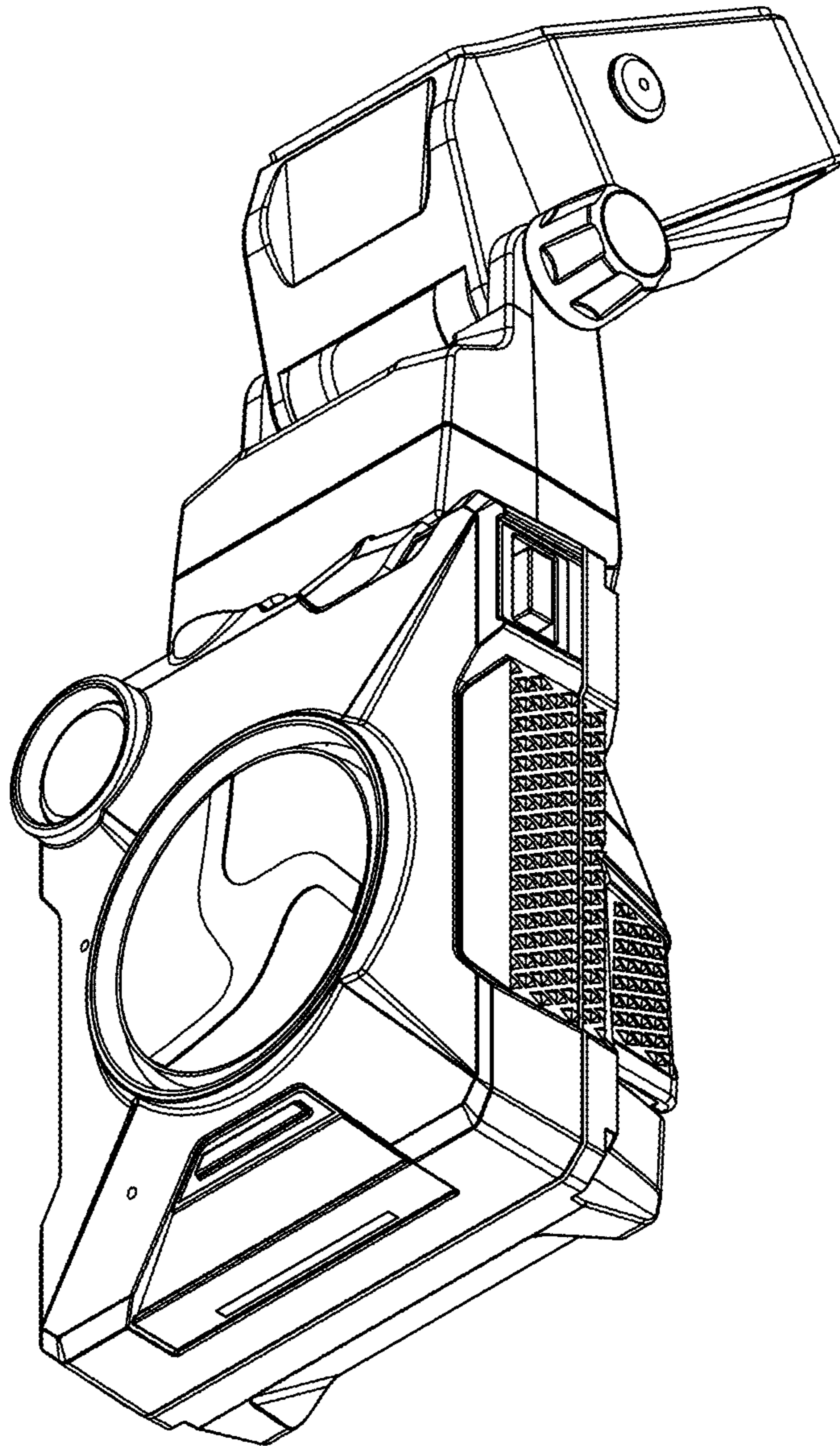


FIG. 16

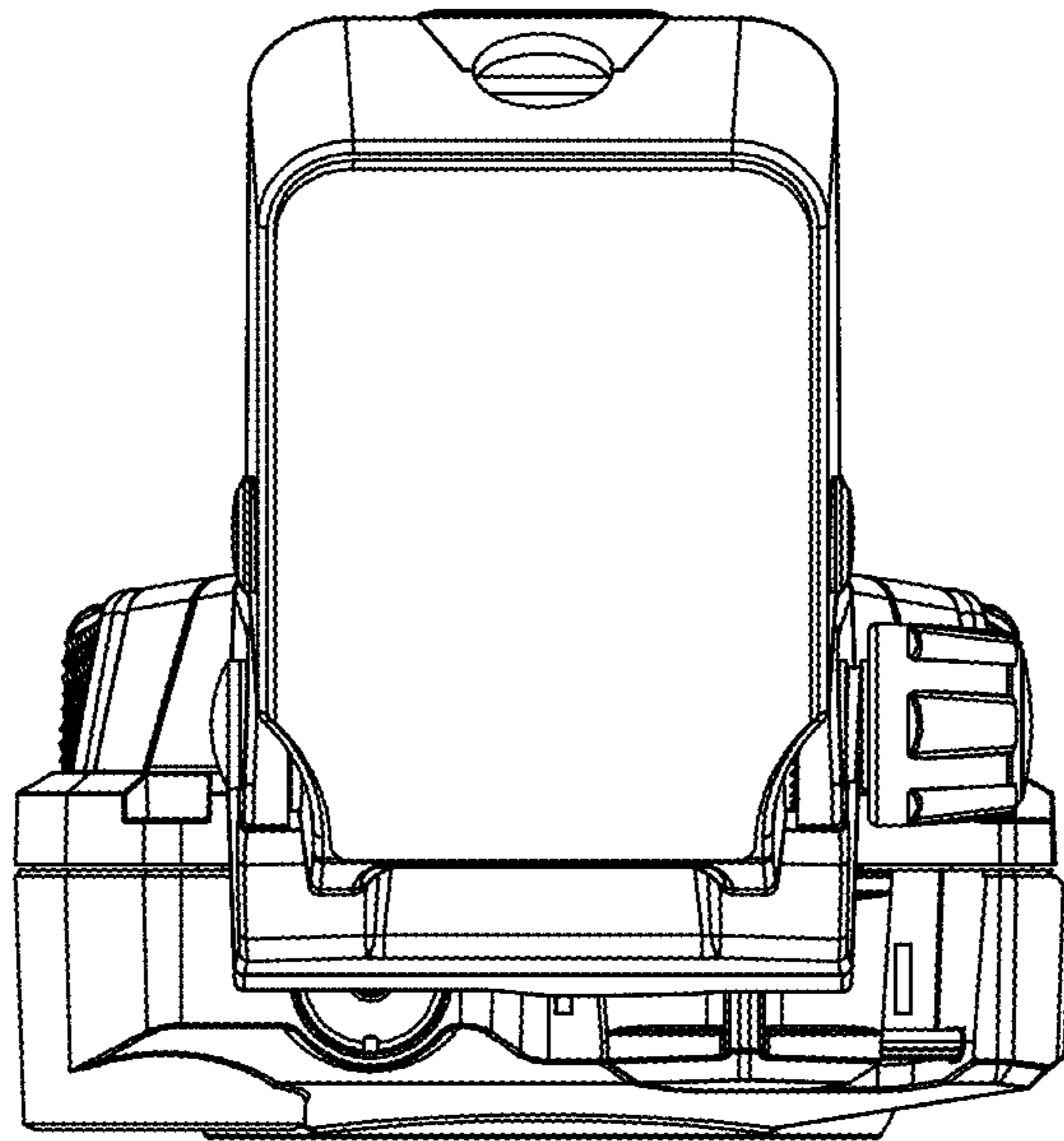


FIG. 17

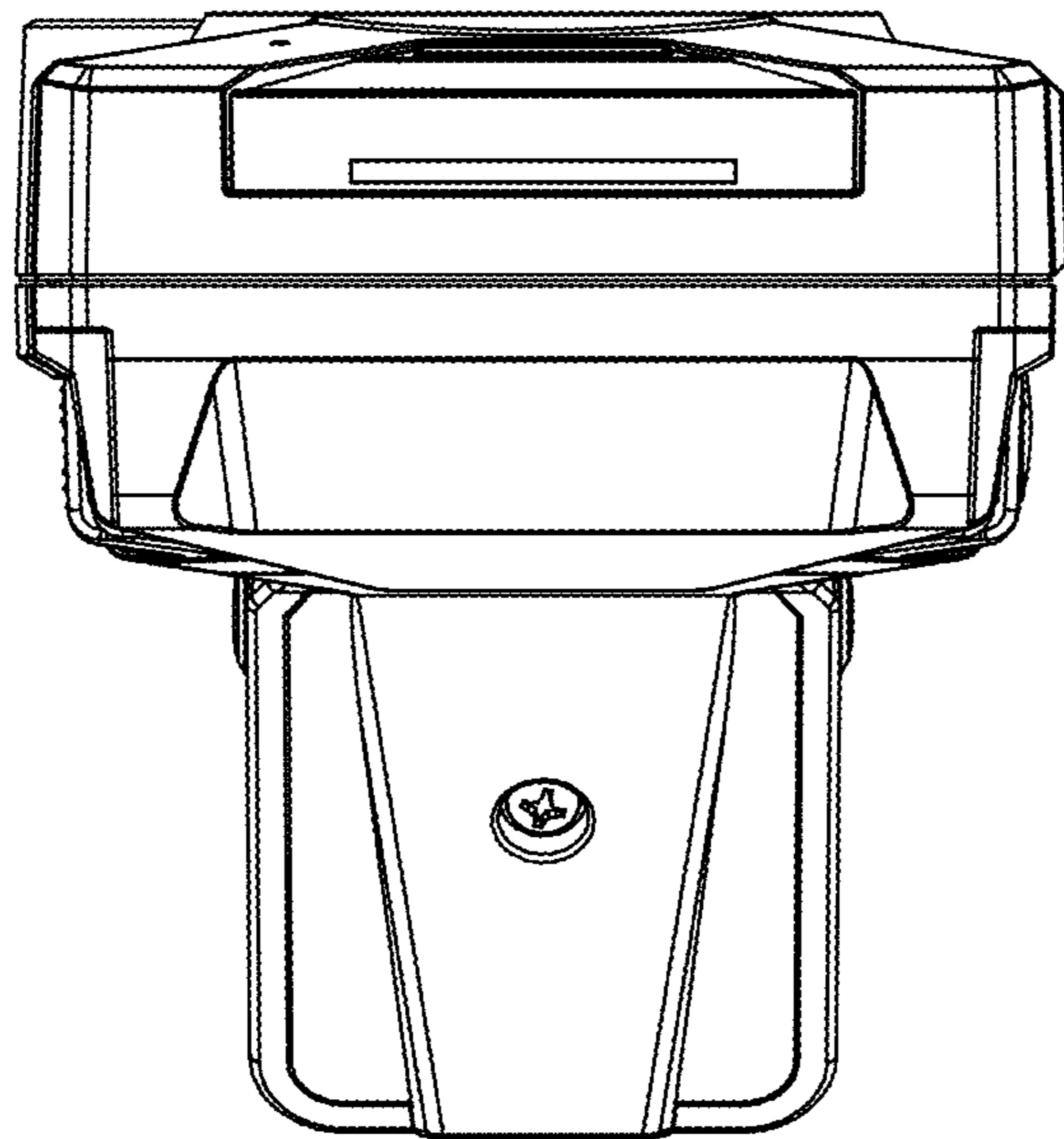


FIG. 18