



US00D802041S

(12) **United States Design Patent**
He et al.

(10) **Patent No.:** **US D802,041 S**

(45) **Date of Patent:** **** Nov. 7, 2017**

(54) **ROBOTIC ARM**

(71) Applicant: **ENGINEERING SERVICES INC.,**
Toronto (CA)

(72) Inventors: **Xiaojia He,** Toronto (CA); **Ziren Lu,**
Thornhill (CA); **Andrew A. Goldenberg,** Toronto (CA)

(73) Assignee: **ENGINEERING SERVICES INC,**
Toronto, ON (CA)

(**) Term: **15 Years**

(21) Appl. No.: **29/602,027**

(22) Filed: **Apr. 27, 2017**

(51) **LOC (10) Cl.** **15-99**

(52) **U.S. Cl.**
USPC **D15/199**

(58) **Field of Classification Search**
USPC D15/199; D21/578-583, 621, 622;
D23/259, 262, 263
CPC ... B25J 9/102; B25J 9/104; B25J 9/126; B25J
17/00; B25J 18/00; Y10S 901/23; Y10S
901/25; Y10S 901/20311; Y10S
901/2031; Y10S 901/20323; Y10S
901/20329

See application file for complete search history.

(56) **References Cited**

U.S. PATENT DOCUMENTS

D638,044 S *	5/2011	Ikoma	D15/199
D670,319 S *	11/2012	Liu	D15/199
D677,294 S *	3/2013	Long	D15/199
8,525,460 B2 *	9/2013	Reiland	B25J 9/1641 267/277
D692,041 S *	10/2013	Selic	D15/199
D716,357 S *	10/2014	Gombert	D15/199
9,375,841 B1 *	6/2016	Kemper	B25J 13/085
D766,348 S *	9/2016	Long	D15/199
D776,178 S *	1/2017	Ries	D15/199

D790,618 S *	6/2017	Ke	D15/199
2011/0064554 A1 *	3/2011	Ito	B25J 9/047 414/735
2011/0107866 A1 *	5/2011	Oka	B25J 9/0084 74/490.03
2013/0125694 A1 *	5/2013	Long	B25J 11/0075 74/490.01
2014/0102239 A1 *	4/2014	Umeno	B25J 15/0033 74/490.01

(Continued)

Primary Examiner — Patricia Palasik

(74) *Attorney, Agent, or Firm* — Nancy Hill; Hill & Schumacher

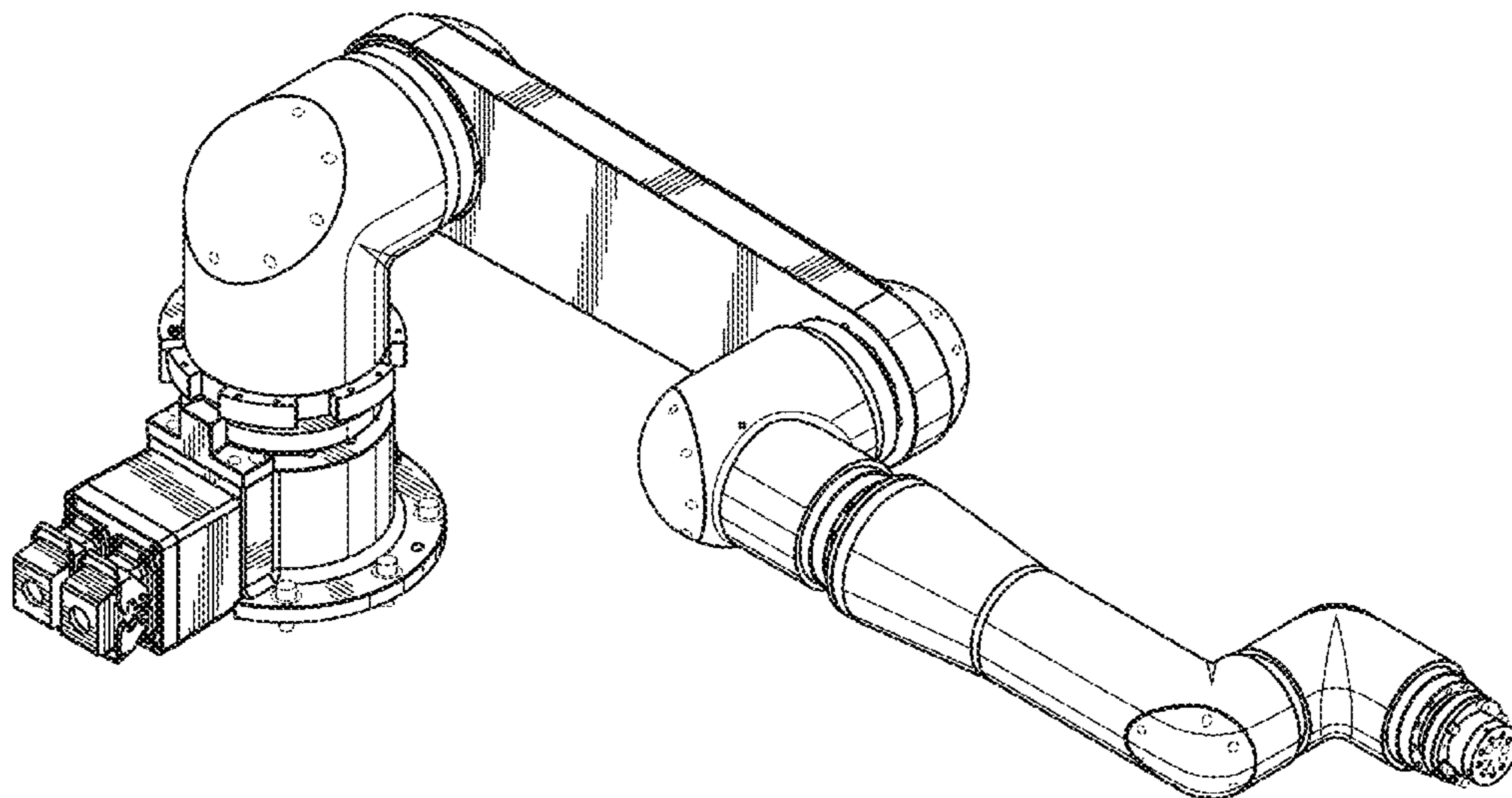
(57) **CLAIM**

The ornamental design for a robotic arm, as shown and described.

DESCRIPTION

FIG. 1 is perspective view of the robot arm showing our new design;
 FIG. 2 is a top view thereof;
 FIG. 3 is a front view thereof;
 FIG. 4 is a right side view thereof;
 FIG. 5 is a left side view thereof;
 FIG. 6 is bottom view thereof;
 FIG. 7 is a perspective view our new robot arm showing our new design in a first alternate condition of use;
 FIG. 8 is a left side view thereof;
 FIG. 9 is a front view thereof;
 FIG. 10 is a bottom view thereof;
 FIG. 11 is a top view thereof;
 FIG. 12 is a right side view thereof;
 FIG. 13 is a front perspective view of our new robot arm showing our new design in a second alternate condition of use; and,
 FIG. 14 is a rear perspective view thereof.
 The broken lines in the drawings depict unclaimed environmental subject matter.

1 Claim, 8 Drawing Sheets



(56)

References Cited

U.S. PATENT DOCUMENTS

2014/0137687 A1* 5/2014 Nogami B25J 18/00
74/490.03
2014/0224057 A1* 8/2014 Tanaka B25J 9/102
74/490.05
2016/0101518 A1* 4/2016 Saito B25J 9/0009
74/490.03
2016/0331482 A1* 11/2016 Hares B25J 9/1689
2017/0020615 A1* 1/2017 Koenig A61B 34/30

* cited by examiner

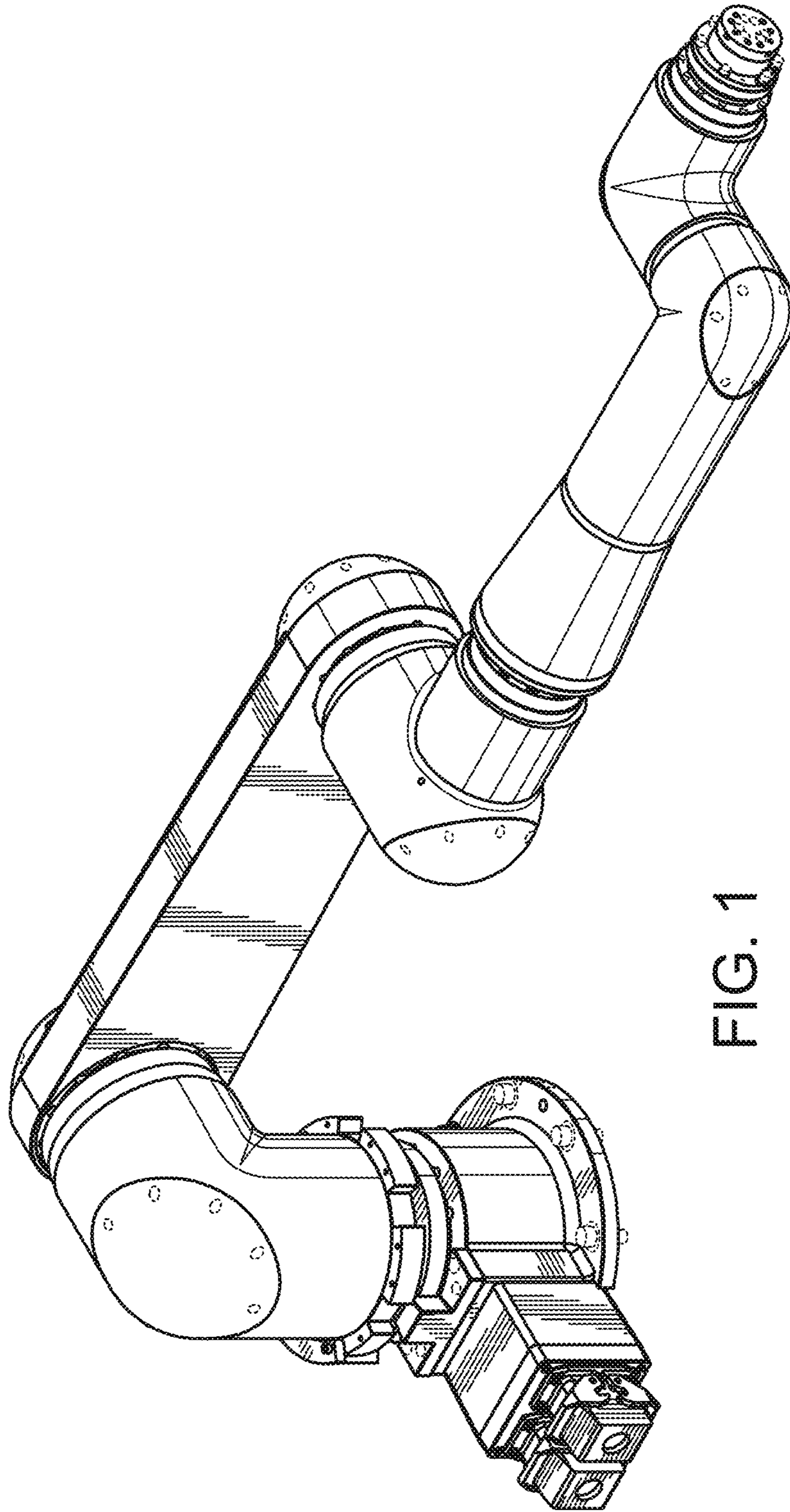


FIG. 1

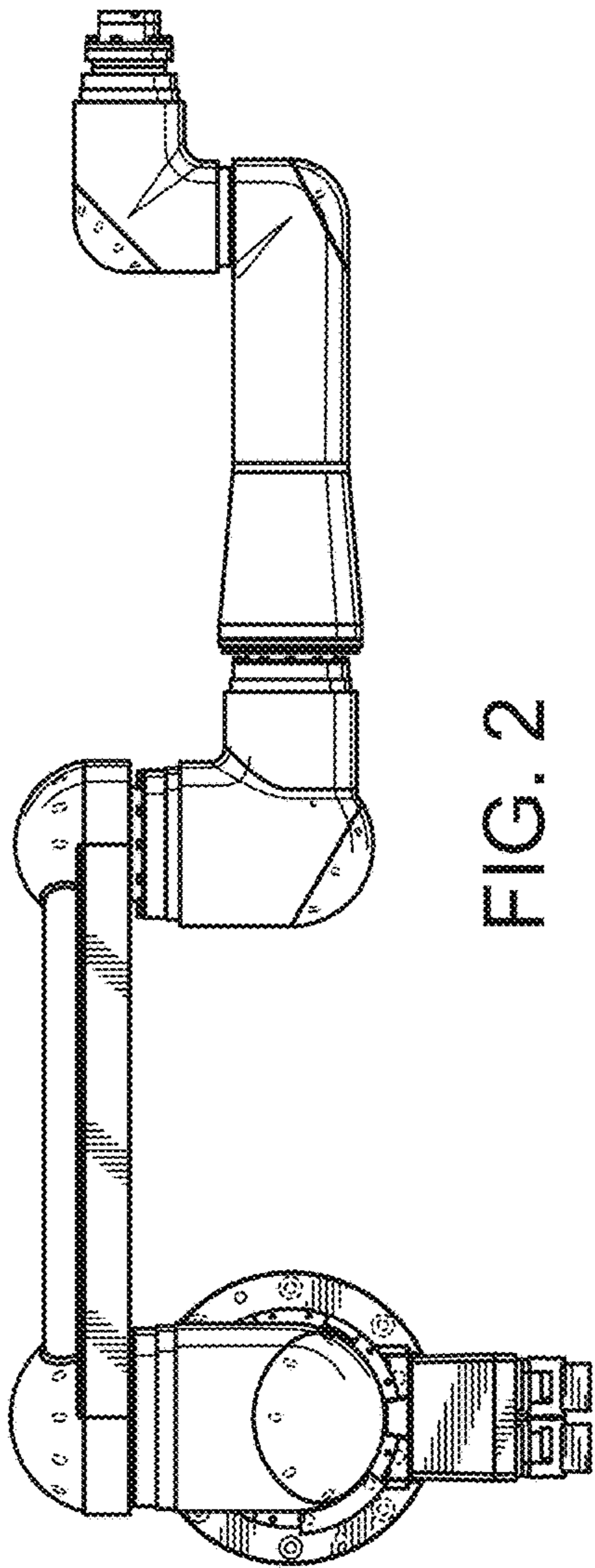


FIG. 2

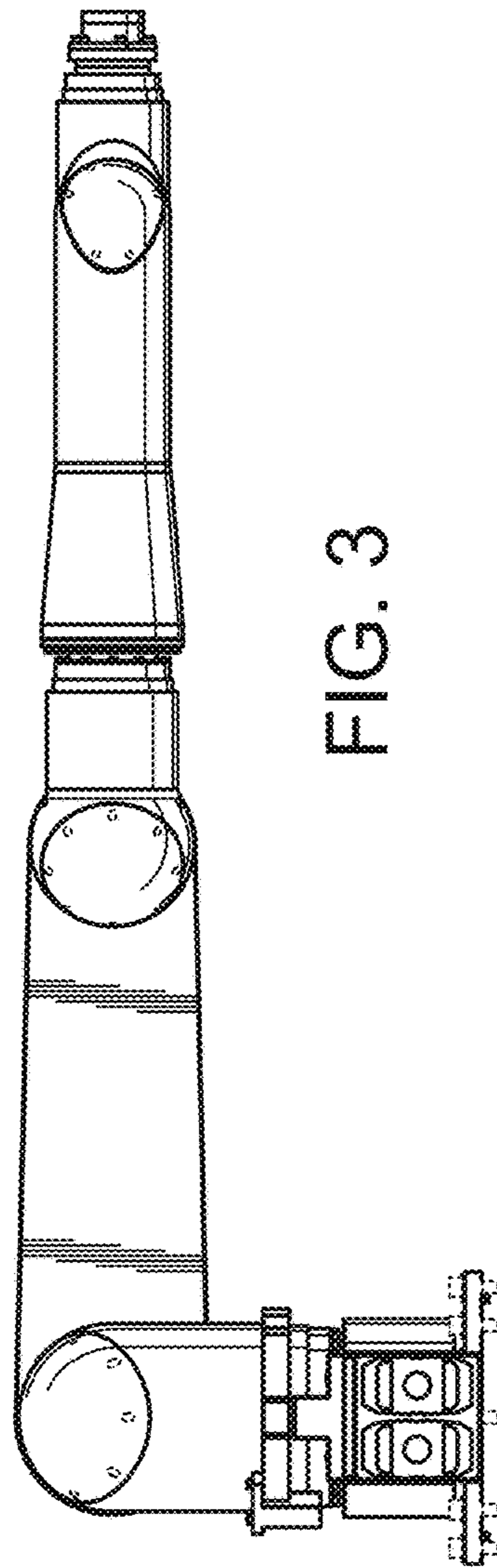


FIG. 3

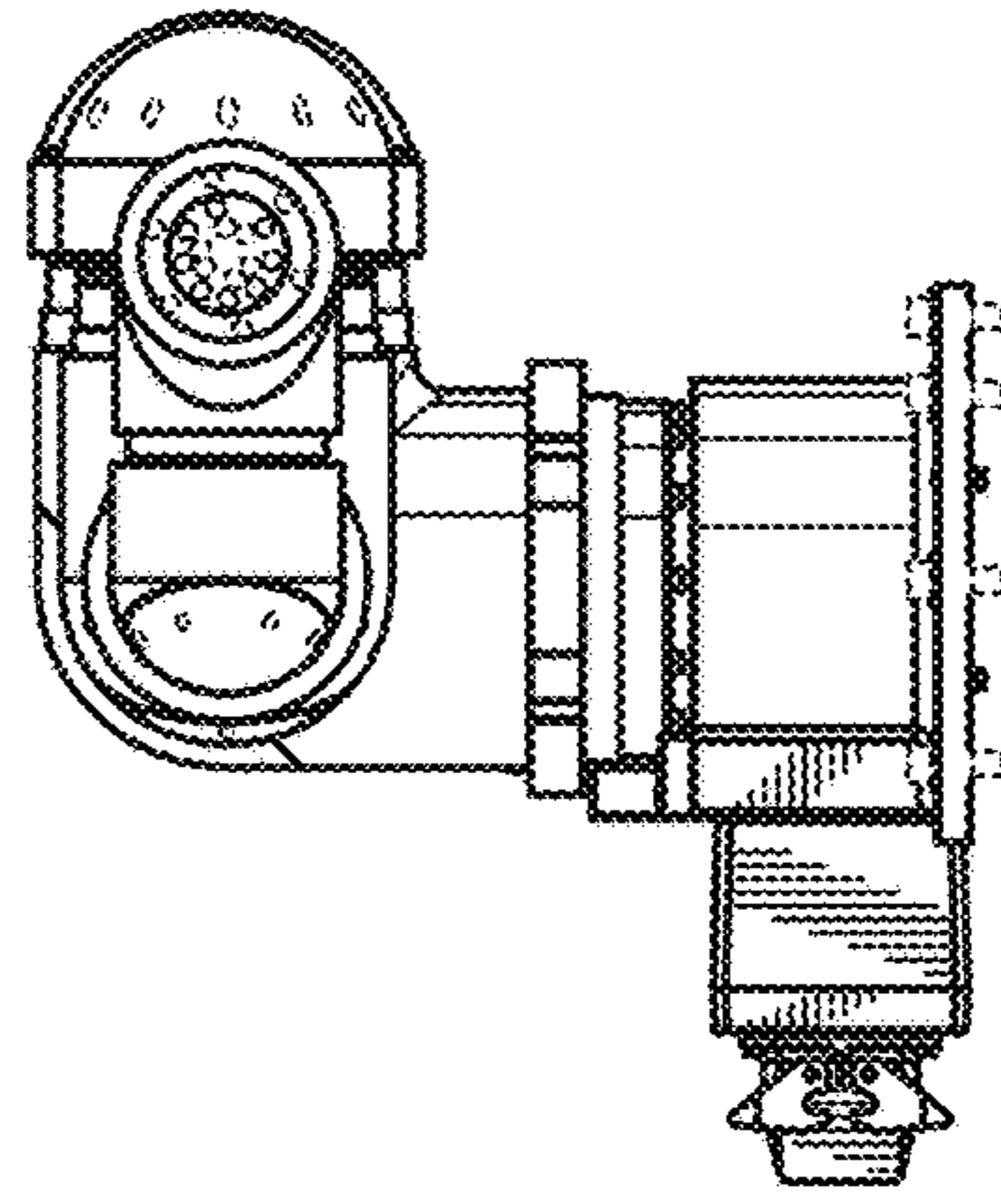


FIG. 4

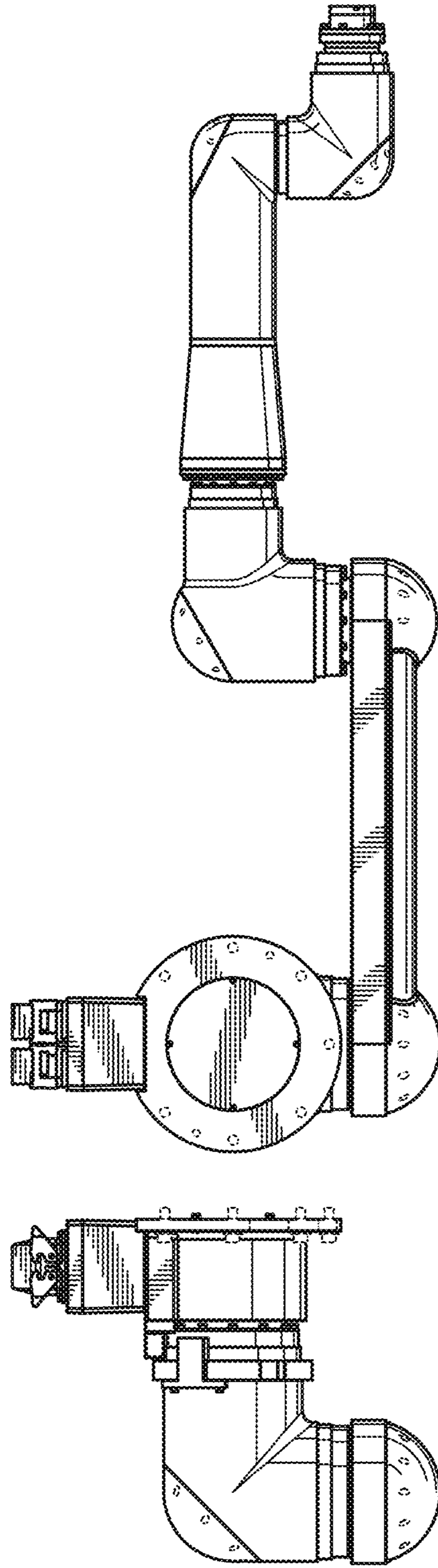


FIG. 5

FIG. 6

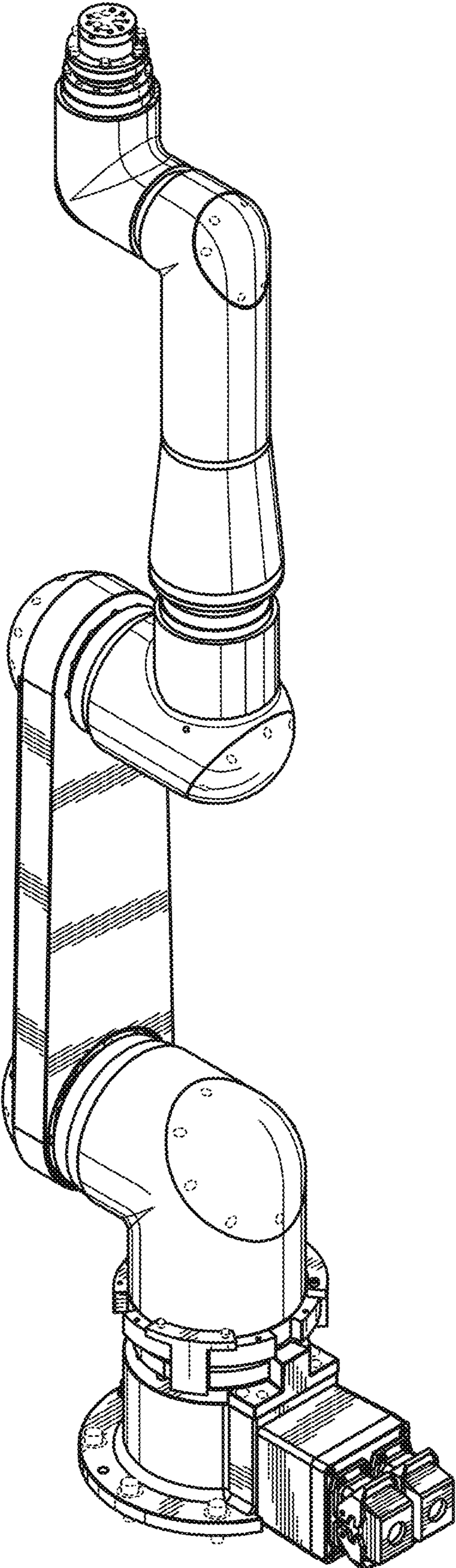
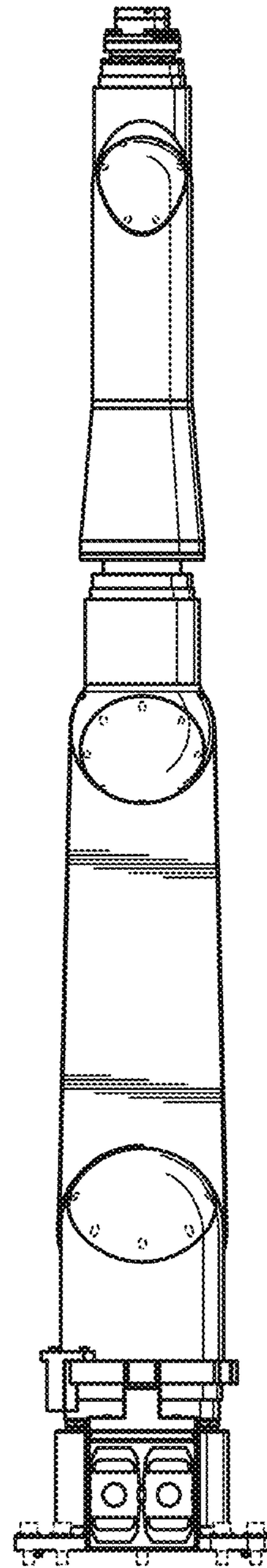
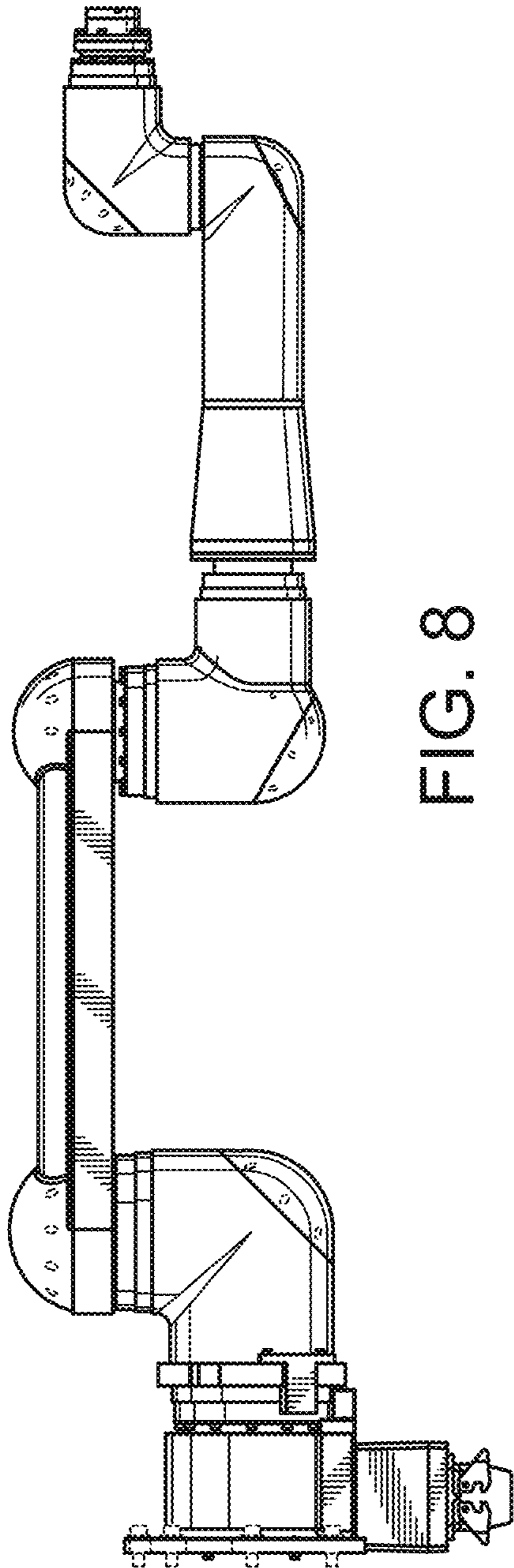


FIG. 7



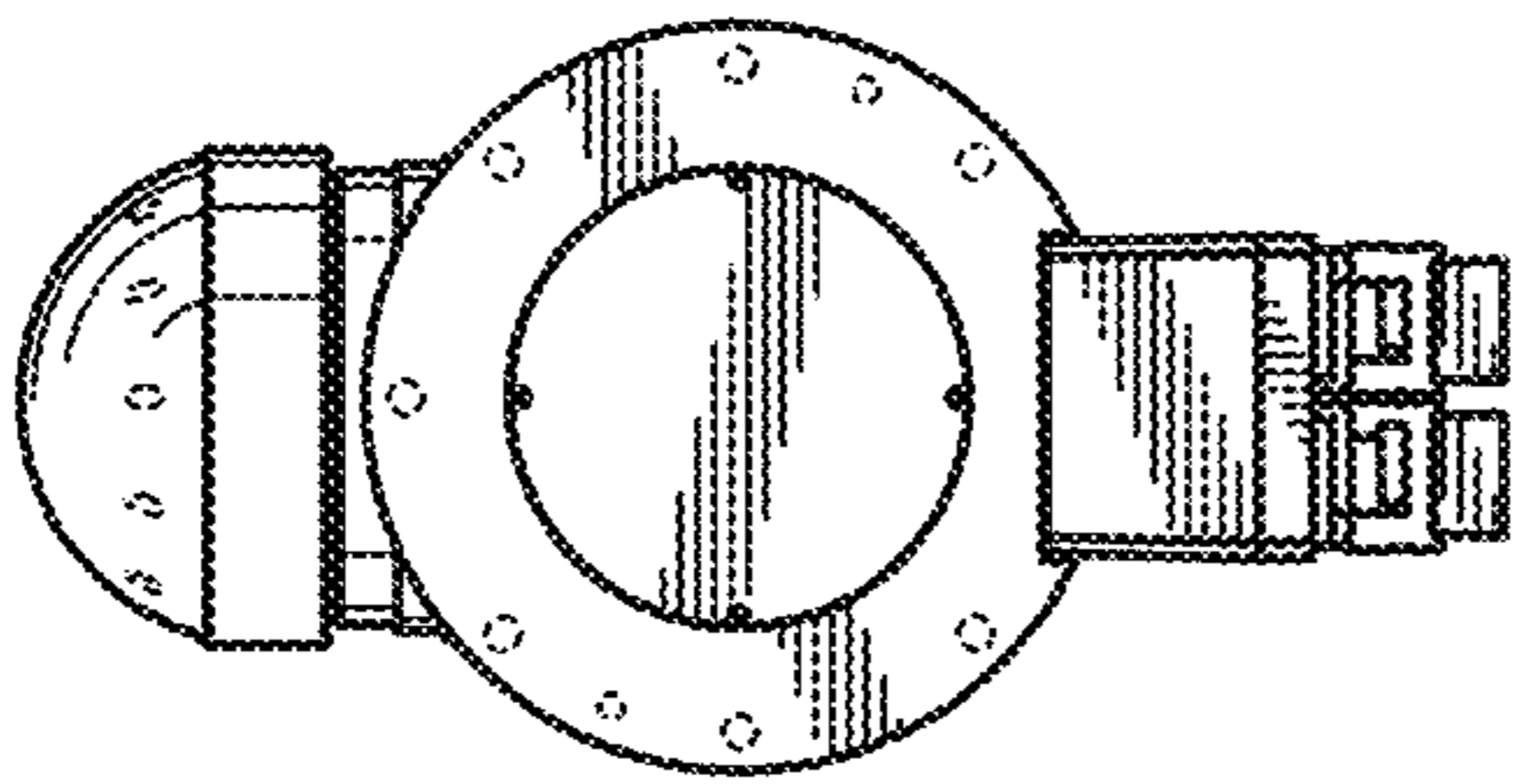


FIG. 10

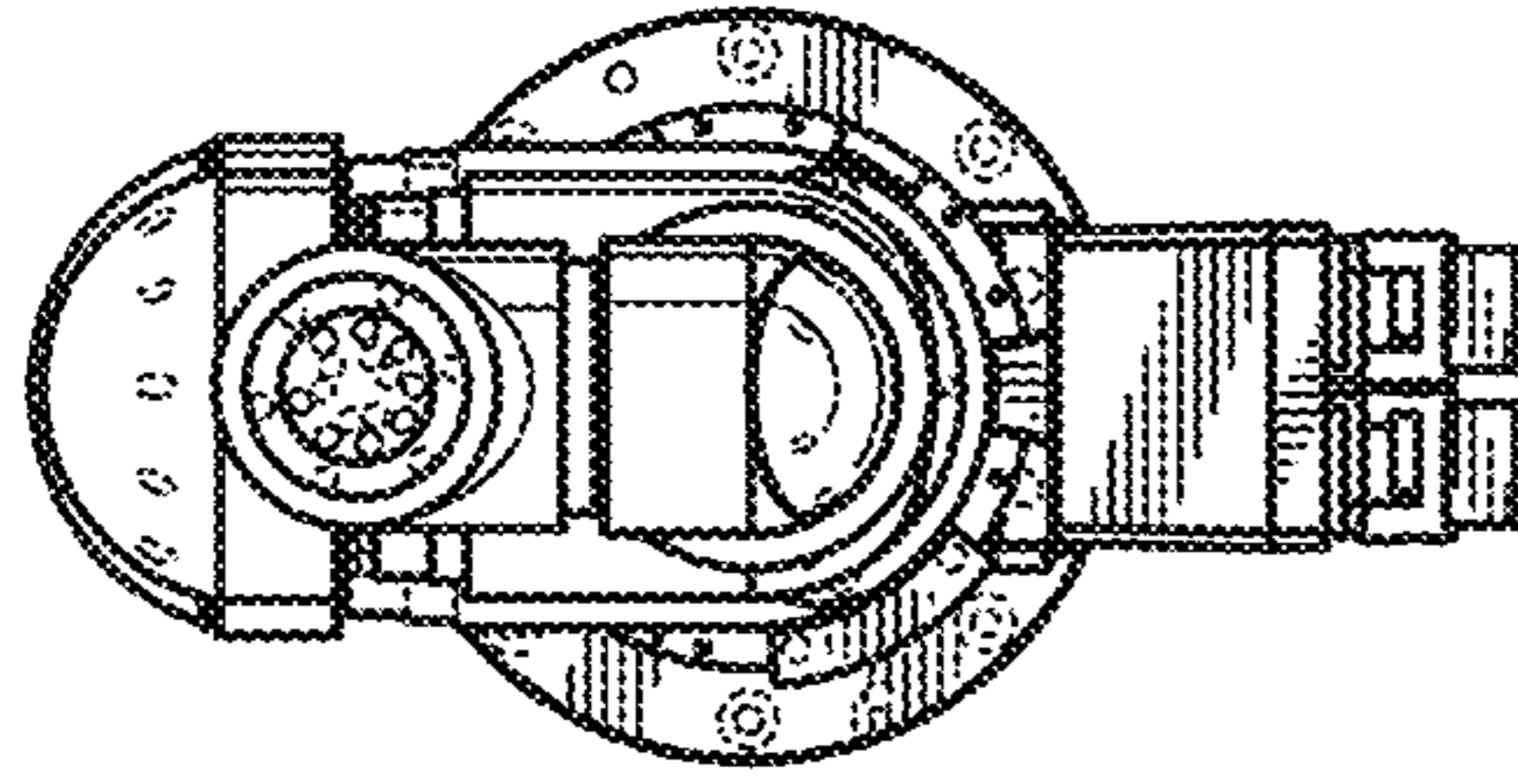


FIG. 11

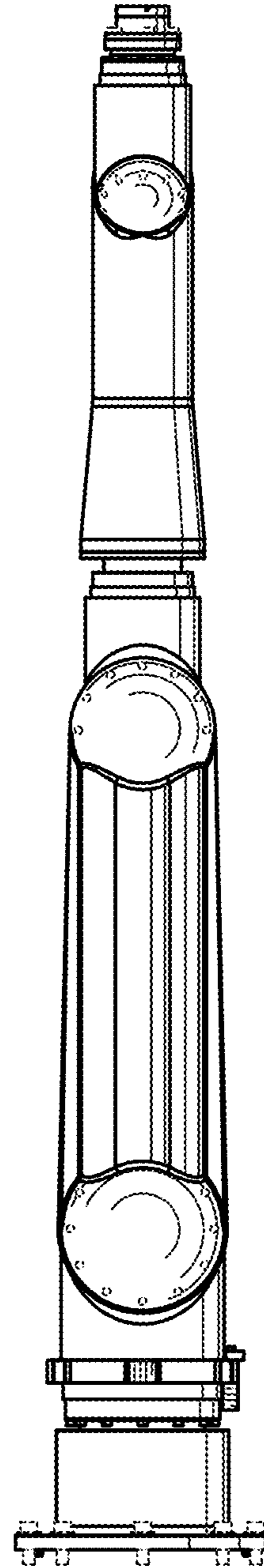


FIG. 12

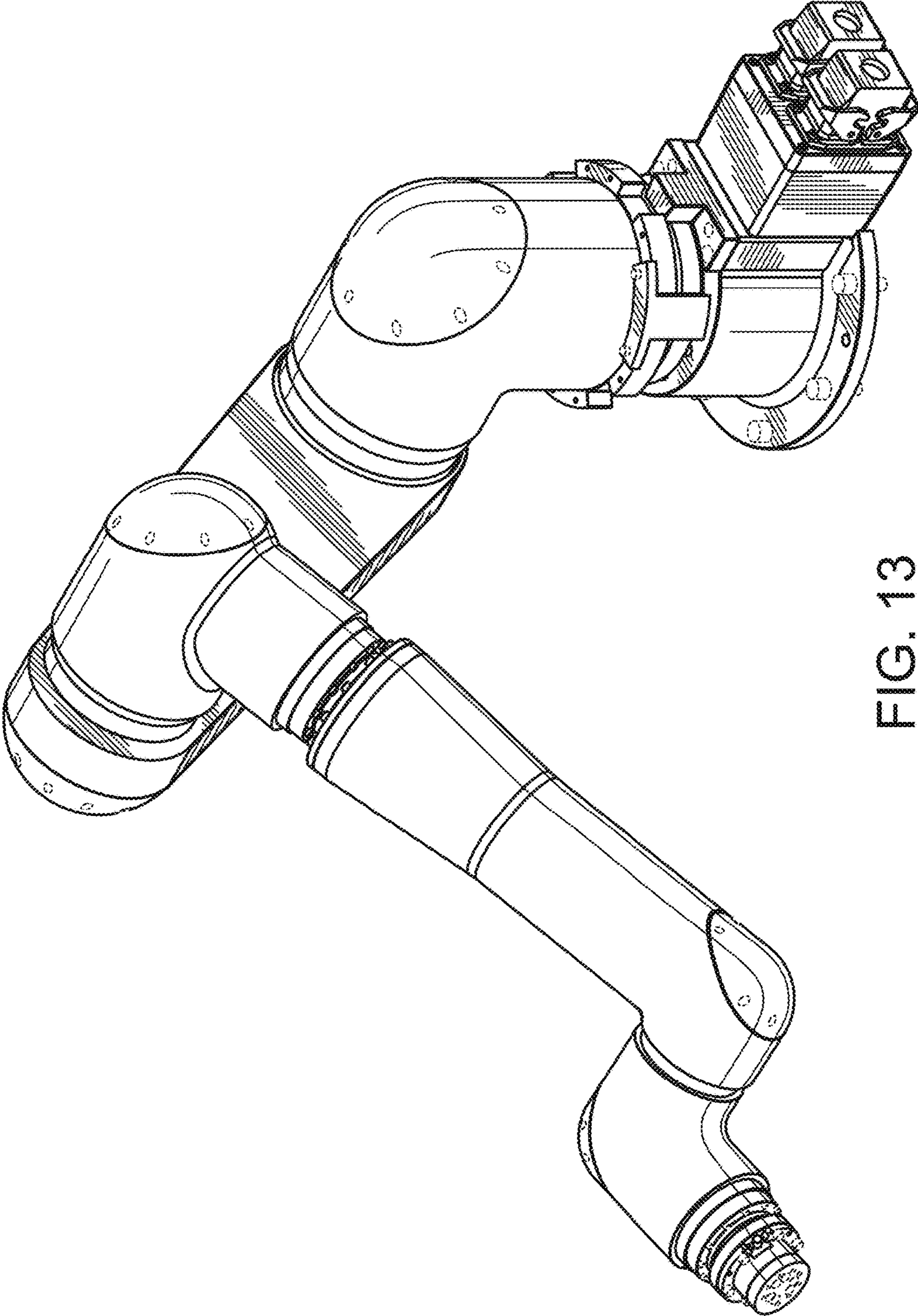


FIG. 13

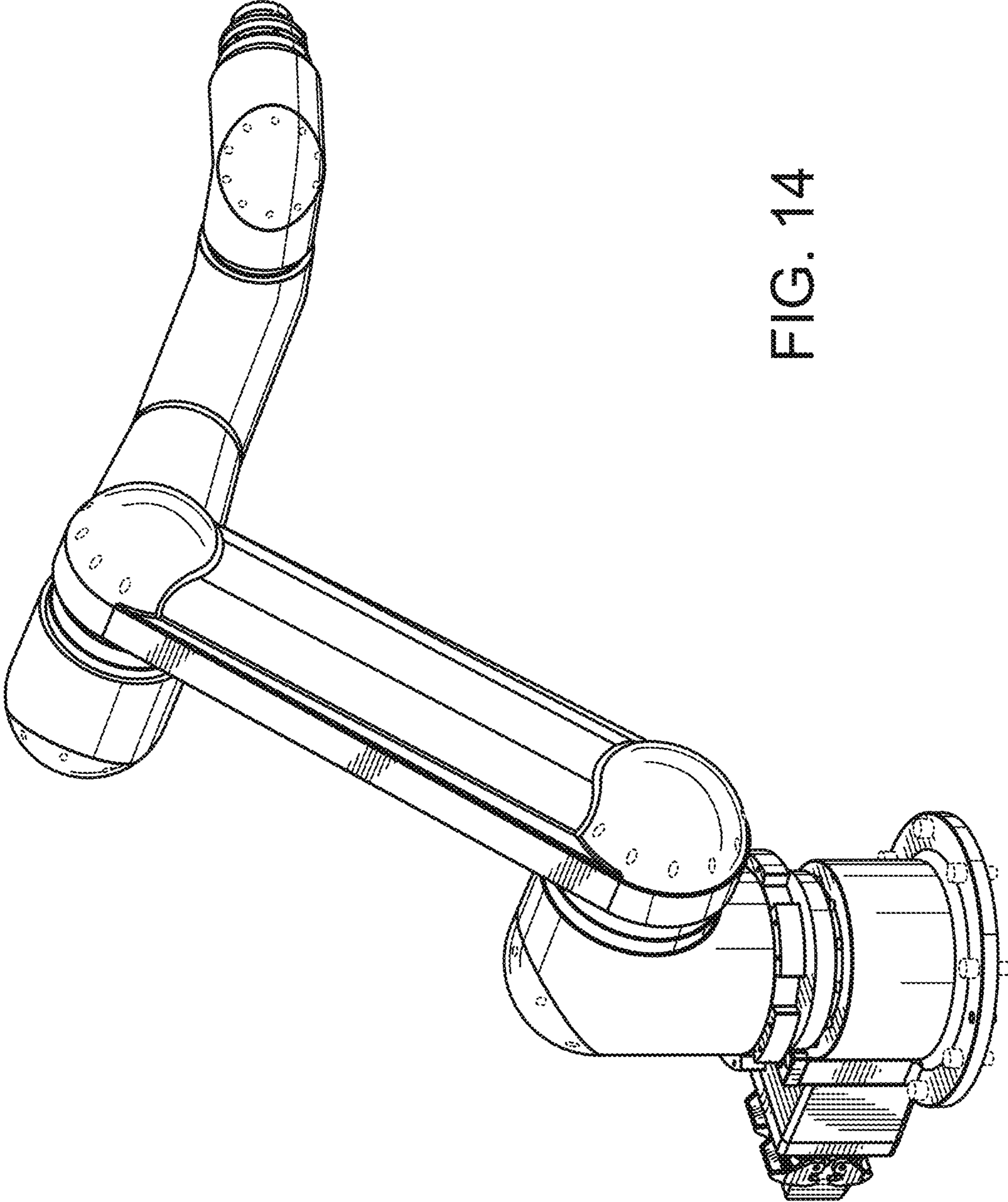


FIG. 14