



US00D802039S

(12) **United States Design Patent**  
**Cordingley**

(10) **Patent No.:** **US D802,039 S**

(45) **Date of Patent:** **\*\* Nov. 7, 2017**

(54) **GEAR AND AXLE COMBINATION**

(71) Applicant: **Christopher Cordingley**, Los Angeles, CA (US)

(72) Inventor: **Christopher Cordingley**, Los Angeles, CA (US)

(\*\*) Term: **15 Years**

(21) Appl. No.: **29/586,560**

(22) Filed: **Dec. 5, 2016**

6,527,663	B2 *	3/2003	Ballinger	.....	F16H 48/06 475/230
6,535,793	B2 *	3/2003	Allard	.....	B25J 9/1689 318/628
6,749,147	B2 *	6/2004	Heuser	.....	B65H 75/246 242/530.3
D527,738	S *	9/2006	Pearson, Sr.	.....	D15/5
D536,173	S *	2/2007	Hicks	.....	D3/318
D552,691	S *	10/2007	Tak	.....	D21/480
D579,958	S *	11/2008	Lulla	.....	D15/148
D592,255	S *	5/2009	Tak	.....	D21/480
D657,043	S *	4/2012	Lulla	.....	D24/110
8,414,448	B2 *	4/2013	Madge	.....	F16C 39/02 475/331
9,199,323	B2 *	12/2015	Marx	.....	B23F 5/163

\* cited by examiner

**Related U.S. Application Data**

(62) Division of application No. 29/529,884, filed on Jun. 11, 2015.

(51) **LOC (10) Cl.** ..... **15-09**

(52) **U.S. Cl.**  
USPC ..... **D15/148**

(58) **Field of Classification Search**  
USPC ..... D15/148, 149  
CPC . F16H 1/16; F16H 48/08; F16H 48/40; F16H 2048/085; F16H 2048/385; F16H 2048/423; F16H 2048/426  
See application file for complete search history.

*Primary Examiner* — Patricia Palasik

(74) *Attorney, Agent, or Firm* — James A. Italia; Italia IP

(57) **CLAIM**

The ornamental design for a gear and axle combination, as shown and described.

**DESCRIPTION**

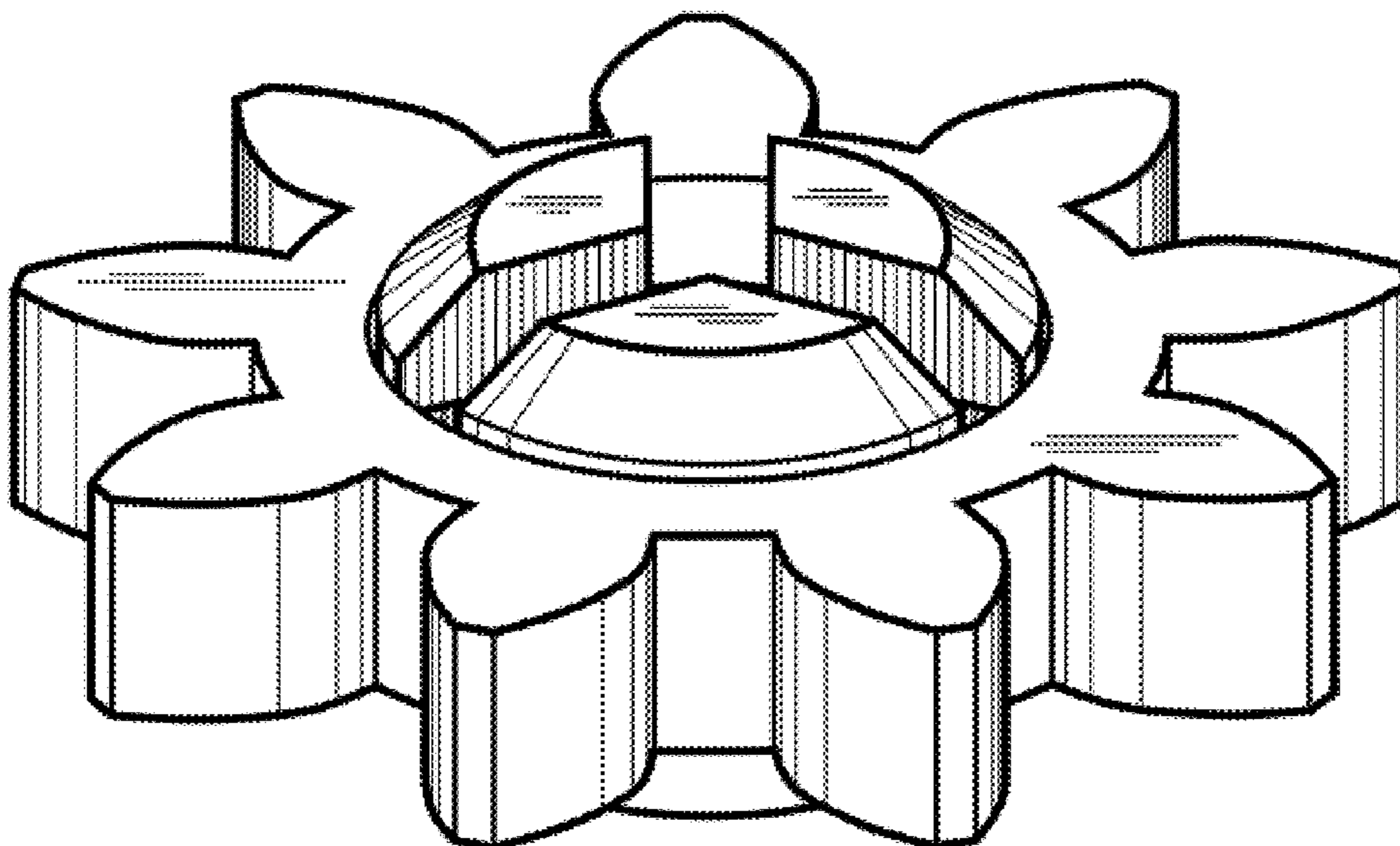
FIG. 1 is a perspective view of the gear and axle combination showing my new design;  
FIG. 2 is a front view thereof;  
FIG. 3 is a rear view thereof;  
FIG. 4 is a right side view thereof;  
FIG. 5 is a left side view thereof;  
FIG. 6 is a top plan view thereof;  
FIG. 7 is a bottom plan view thereof; and,  
FIG. 8 is an exploded view of the gear and axle combination design shown in FIG. 1.

(56) **References Cited**

**U.S. PATENT DOCUMENTS**

1,761,922	A *	6/1930	Hutchinson	.....	F16H 1/16 475/229
1,945,598	A *	2/1934	Cole	.....	B23Q 5/142 82/143
2,555,003	A *	5/1951	Rhoads	.....	B61C 17/08 184/11.1
4,693,431	A *	9/1987	Kataoka	.....	B65H 18/106 242/413.1

**1 Claim, 4 Drawing Sheets**



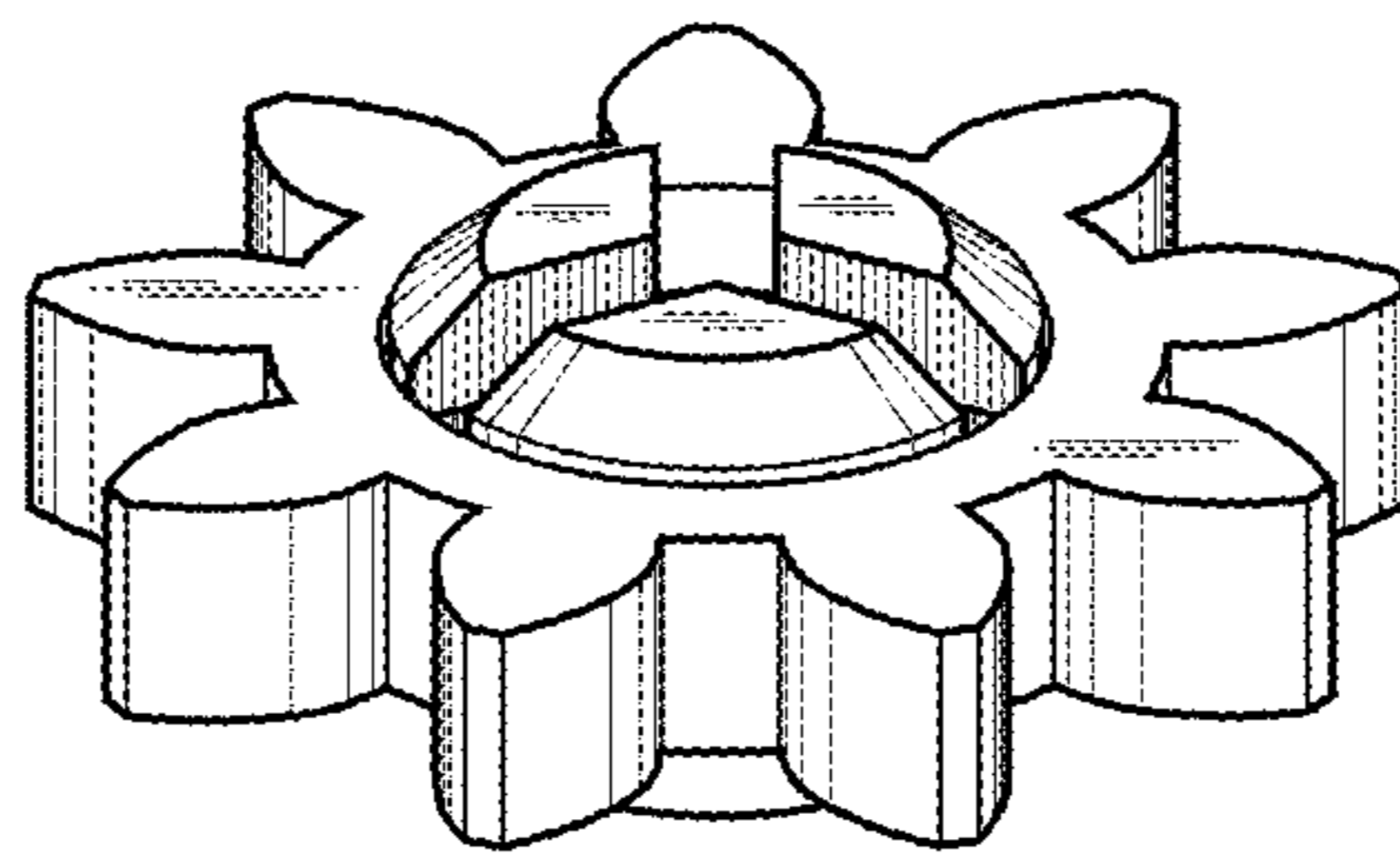


FIG. 1

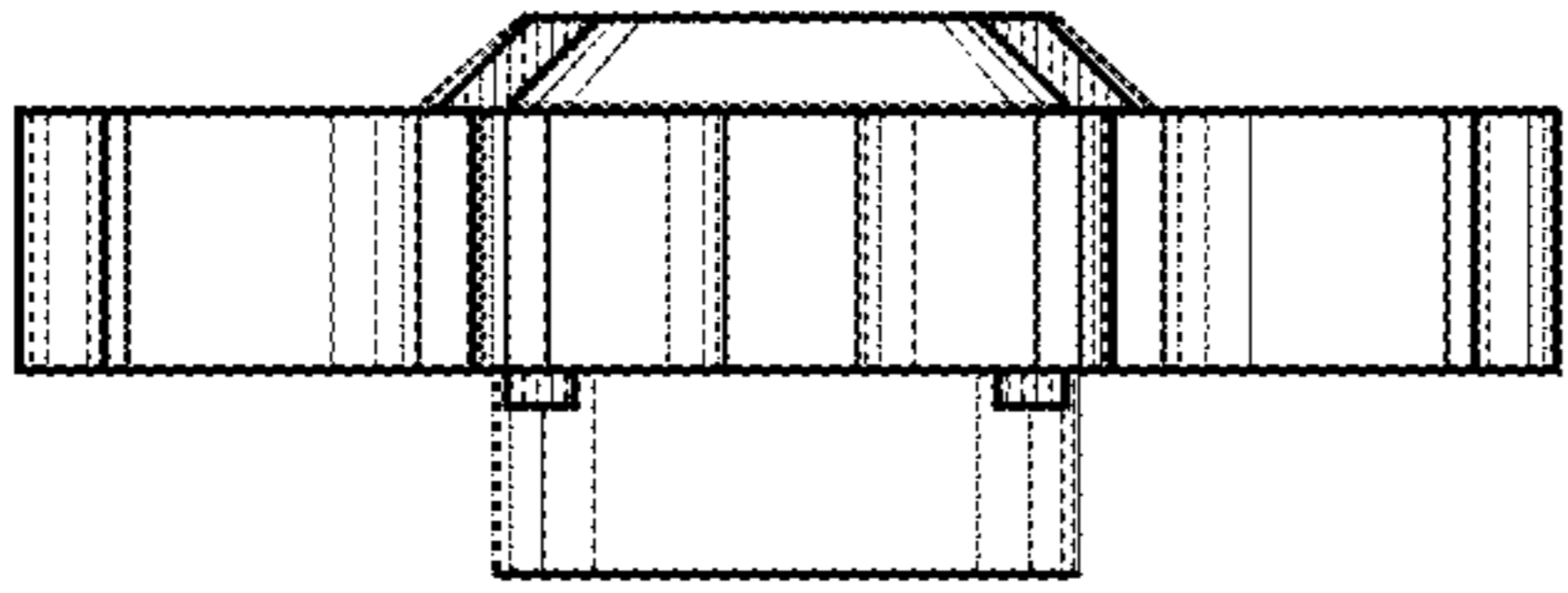


FIG. 2

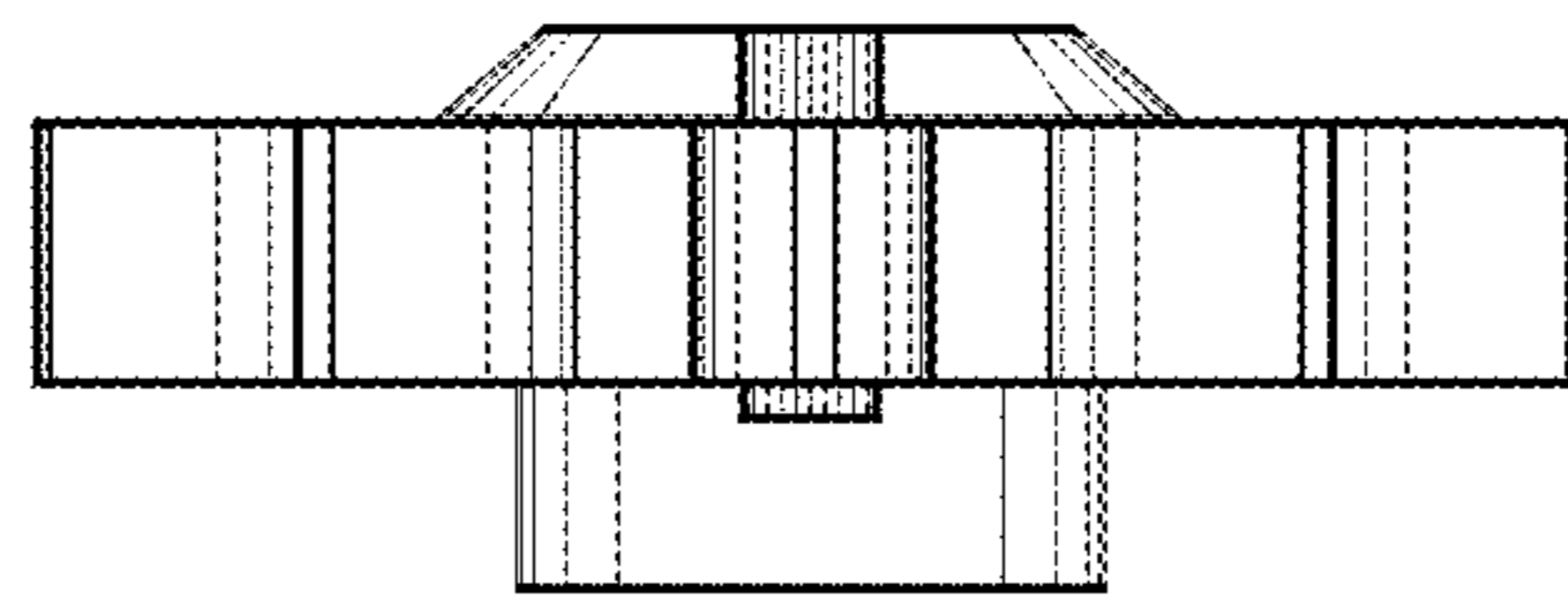


FIG. 3

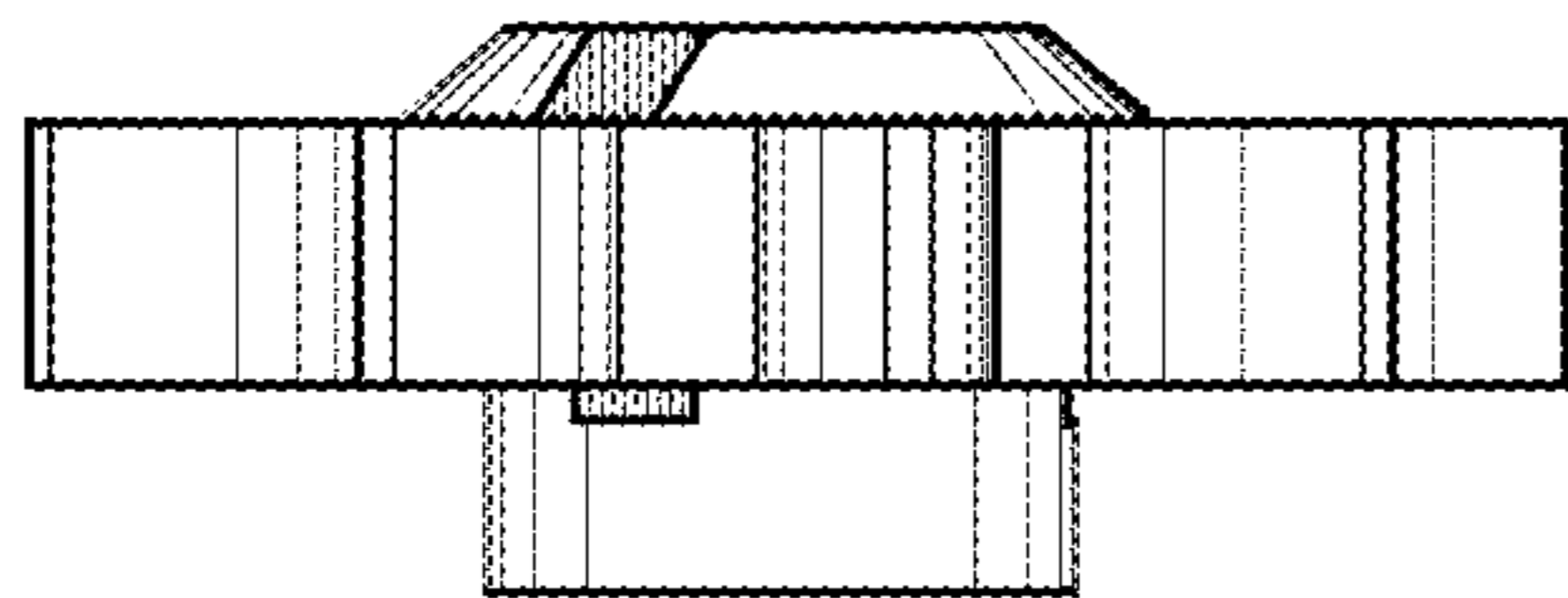


FIG. 4

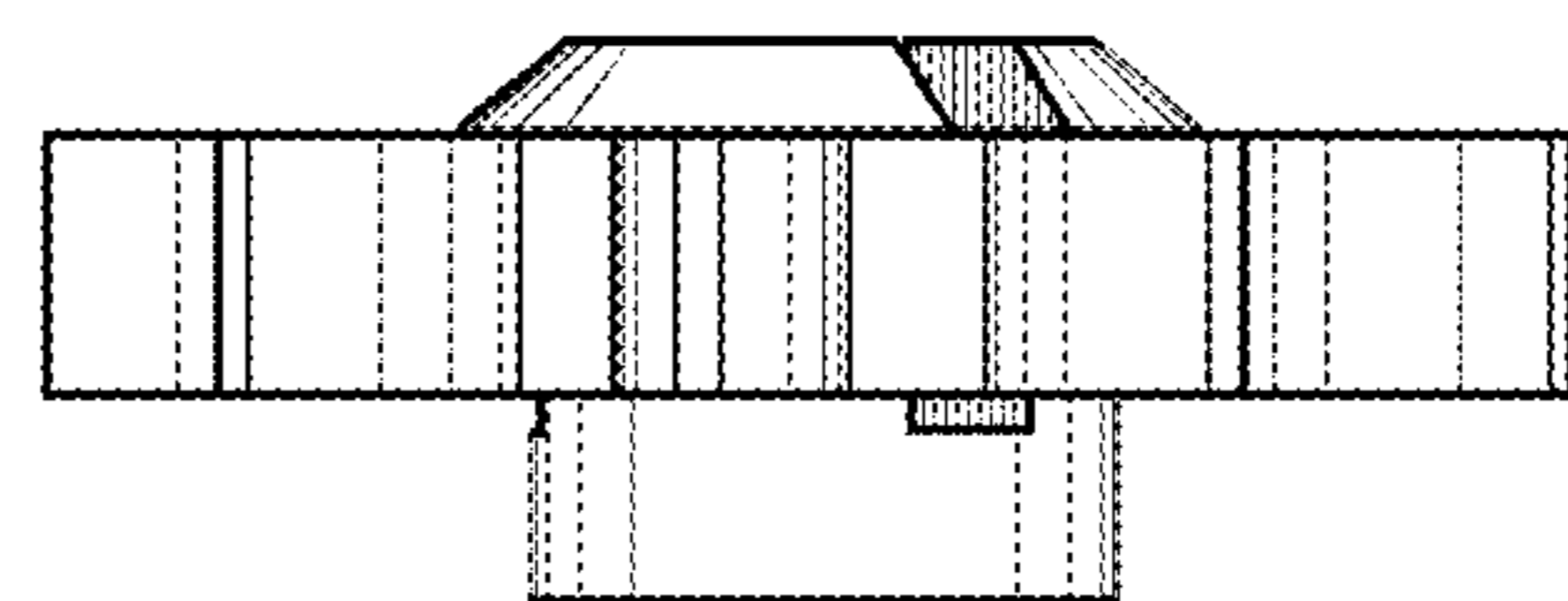


FIG. 5

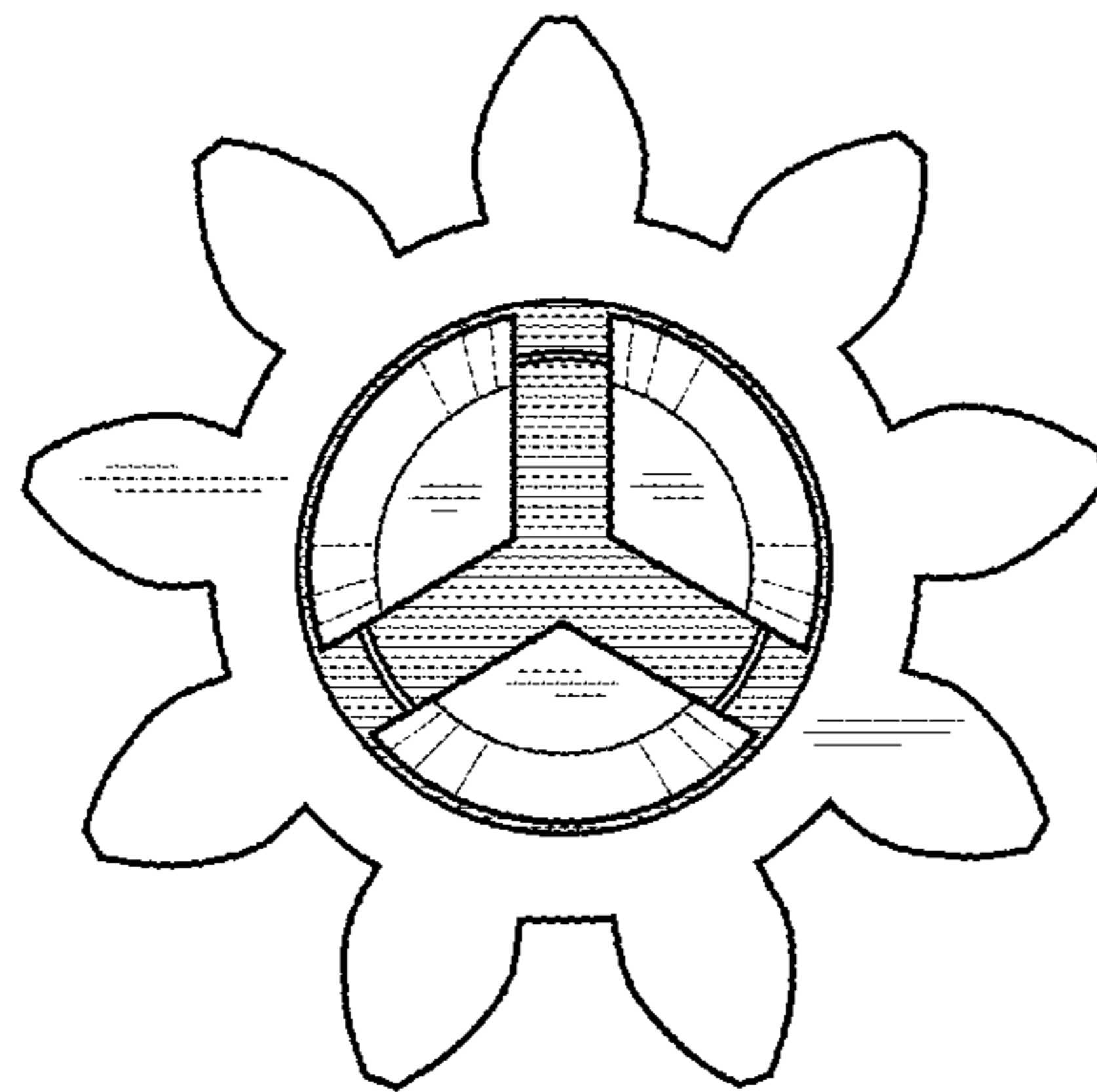


FIG. 6

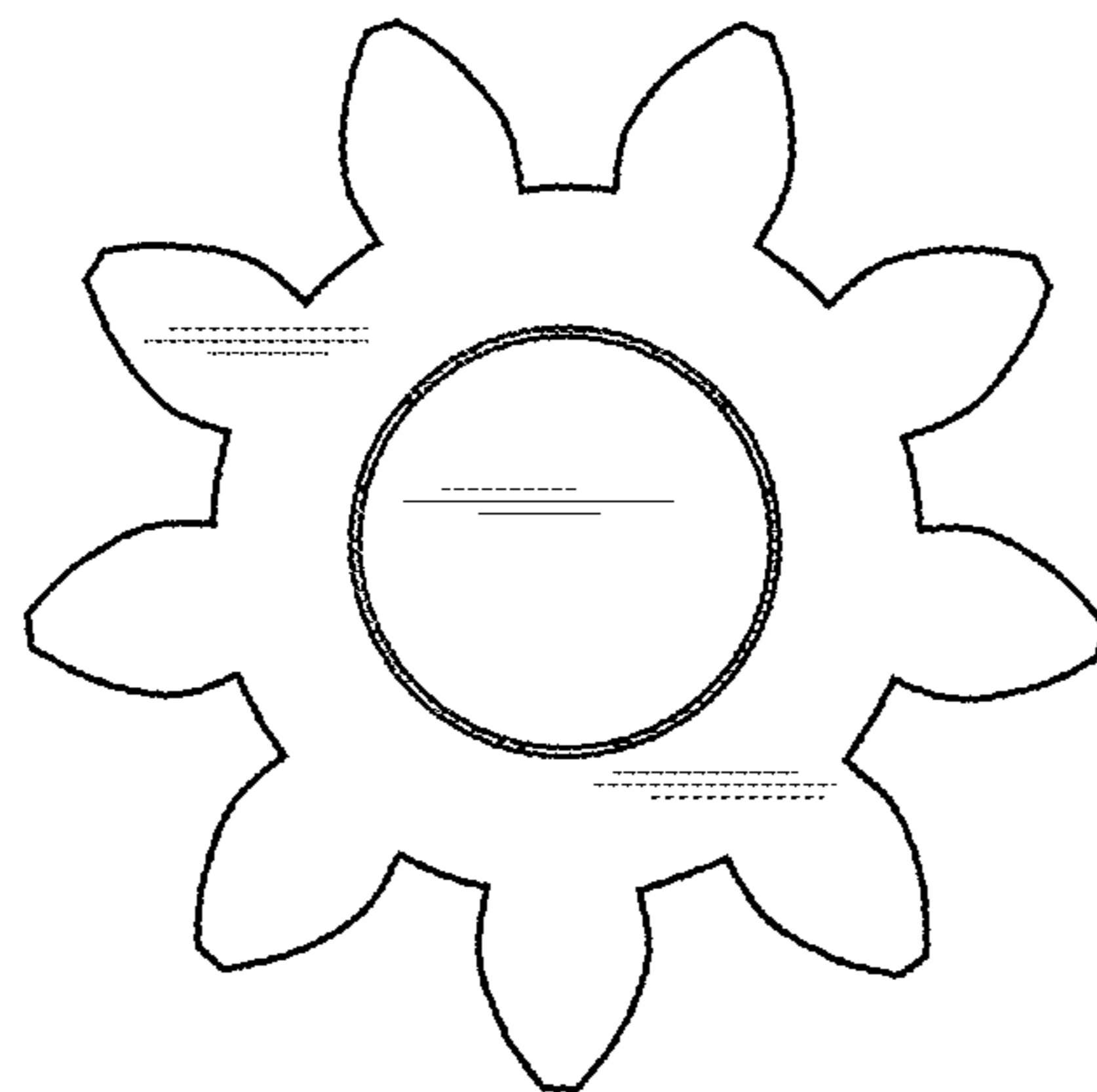


FIG. 7

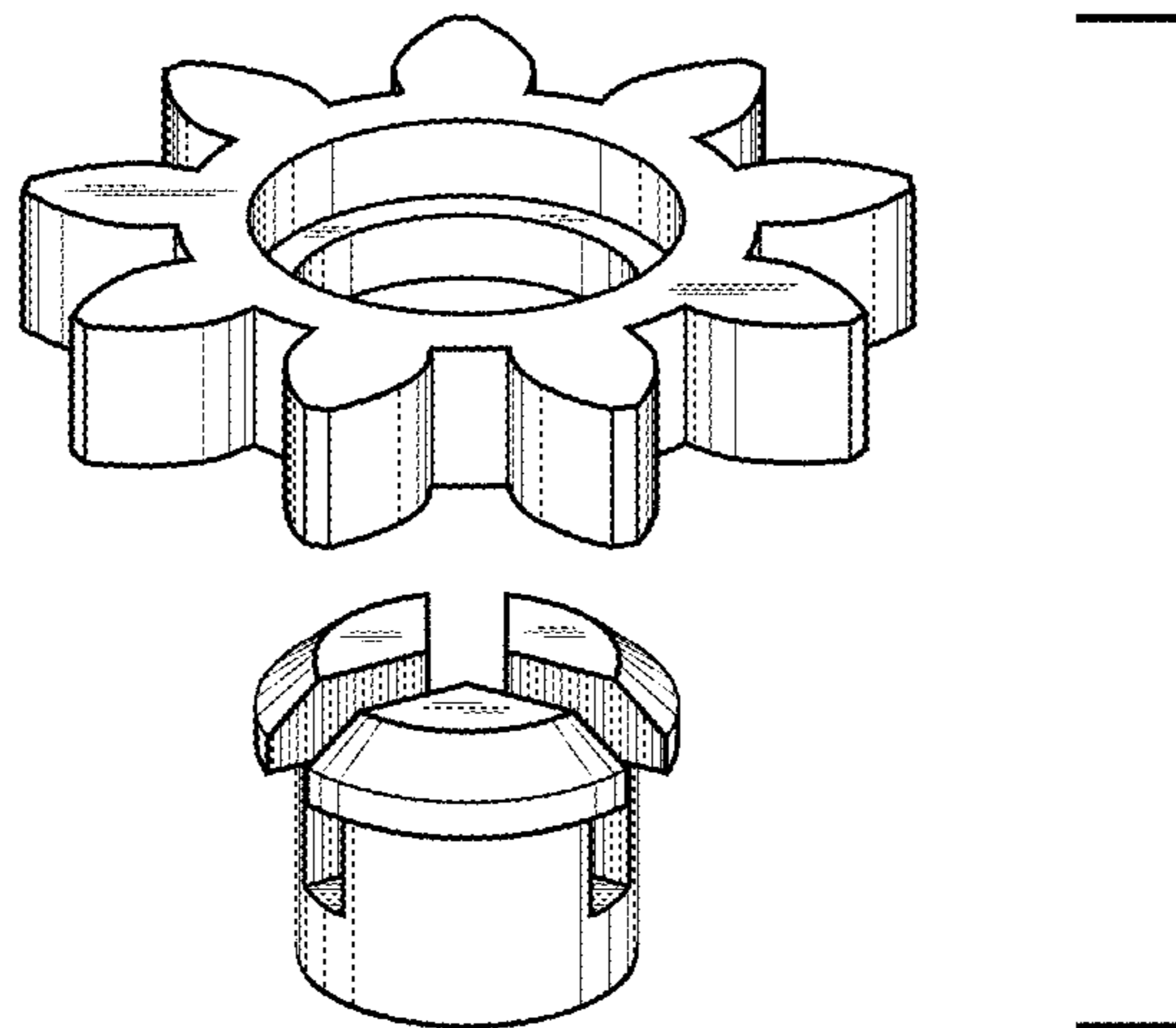


FIG. 8