



US00D802035S

(12) **United States Design Patent** (10) **Patent No.:** **US D802,035 S**
Verhoeven et al. (45) **Date of Patent:** **** Nov. 7, 2017**

- (54) **TUBULAR CARTRIDGE**
- (71) Applicant: **Fuji Seal International, Inc.**, Osaka (JP)
- (72) Inventors: **Stijn Antonius Petrus Verhoeven**, Bakel (NL); **Jeroen Gerrit Anton Gebbink**, Helmond (NL)
- (73) Assignee: **Fuji Seal International, Inc.**, Osaka (JP)
- (**) Term: **14 Years**
- (21) Appl. No.: **29/522,510**
- (22) Filed: **Mar. 31, 2015**
- (51) **LOC (10) Cl.** **15-09**
- (52) **U.S. Cl.**
USPC **D15/145**
- (58) **Field of Classification Search**
USPC D15/130-134, 138-141, 136, 127-129, D15/145, 146; 211/59.2
CPC B65B 43/465; B65B 43/50; B65B 43/46; B65B 43/42; B65B 43/12-43/225
See application file for complete search history.

- (56) **References Cited**
U.S. PATENT DOCUMENTS
- 2,219,206 A * 10/1940 De Stefani A47F 1/04 211/59.2
- 3,441,463 A * 4/1969 Buck H05K 3/281 156/301
- 3,465,979 A * 9/1969 Hobart B65B 41/16 242/421.9
- 3,553,927 A * 1/1971 Anglade B65B 21/10 53/250
- 3,854,861 A * 12/1974 Worrall B23K 20/04 156/205
- D368,918 S * 4/1996 DeBiasse D15/145
- D372,037 S * 7/1996 Lane, Jr. D15/146

- D377,030 S * 12/1996 Spear D15/145
- 5,586,687 A * 12/1996 Spamer A47F 7/285 193/32
- 5,695,074 A * 12/1997 Wiese A47F 7/285 211/59.2

(Continued)

Primary Examiner — Susan Bennett Hattan
Assistant Examiner — Brett Miller
(74) *Attorney, Agent, or Firm* — Abelman, Frayne & Schwab

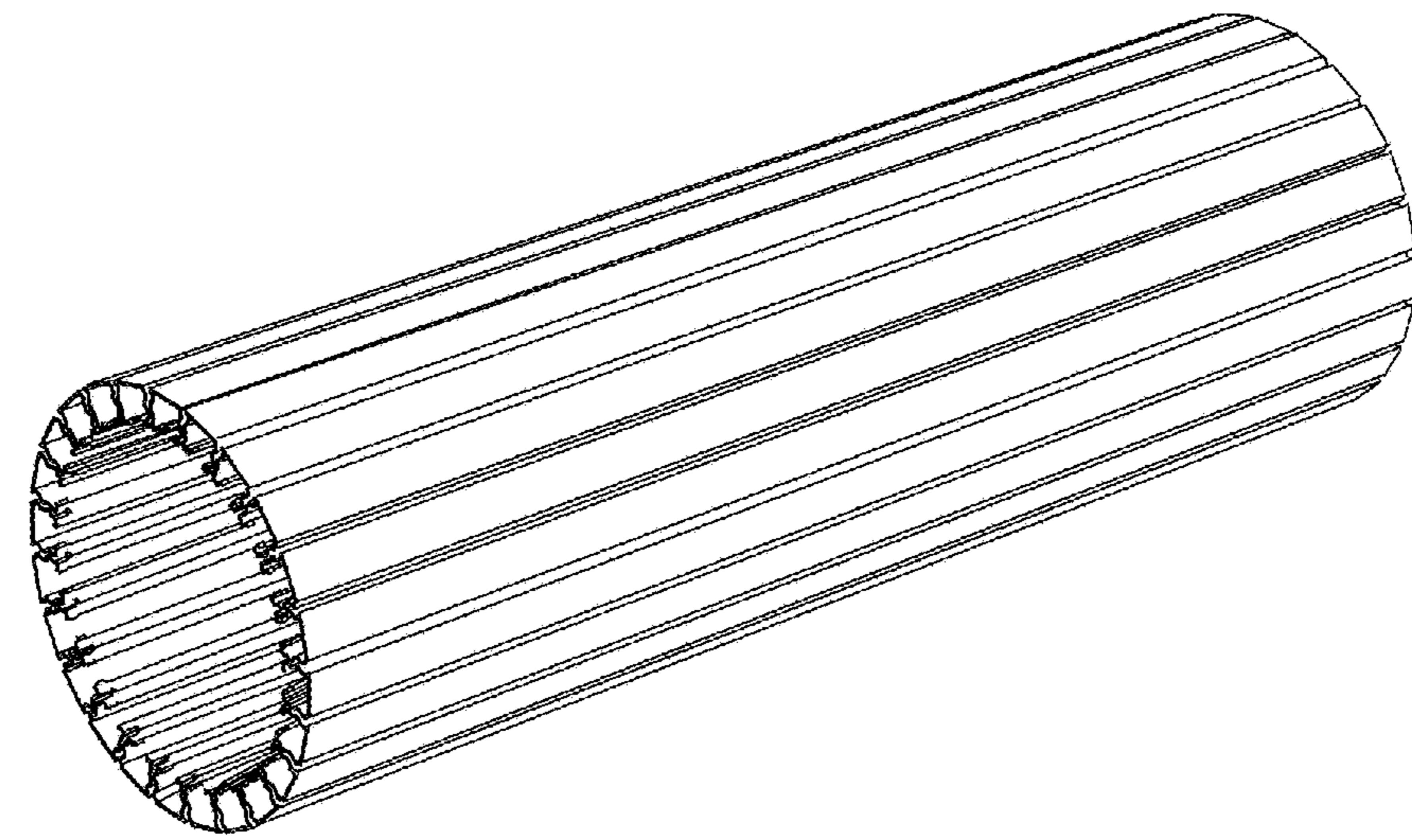
(57) **CLAIM**

The ornamental design for a tubular cartridge, as shown and described.

DESCRIPTION

This application claims is related to and incorporates by reference U.S. Design Patent application Ser. No. 29/522,481 filed Mar. 31, 2015, entitled Rail, now U.S. Pat. No. D. 777,814S, which is incorporated herein by reference in its entirety and made a part of this application.
FIG. 1 is a front perspective view showing our tubular cartridge;
FIG. 2 is an enlarged front perspective view thereof;
FIG. 3 is an enlarged front perspective view showing our tubular cartridge with a spouted package, in broken lines, suspended therein;
FIG. 4 is a front end view thereof;
FIG. 5 is an enlarged view of a portion of a component from FIG. 4;
FIG. 6 is an enlarged view of a portion of an alternative embodiment of a component from FIG. 4;
FIG. 7 is an elevation view thereof; and,
FIG. 8 is an enlarged elevation view thereof.
The broken lines showing the spouted package form no part of the claimed design.
The dashed break lines in FIGS. 2, 3 and 8 are shown for clarity of disclosure and indicate enlarged end and side views compared to FIGS. 1 and 7.

1 Claim, 6 Drawing Sheets



(56)

References Cited

U.S. PATENT DOCUMENTS

5,706,958 A * 1/1998 Spamer A47F 7/285
 211/59.2
 6,189,734 B1 * 2/2001 Apps A47F 1/12
 211/59.2
 6,276,117 B1 * 8/2001 Wiles B65B 43/465
 53/384.1
 6,360,901 B1 * 3/2002 Parham A47F 7/285
 211/59.2
 6,761,016 B1 * 7/2004 Soleri B29C 66/1122
 53/552
 6,766,911 B2 * 7/2004 Higgins A47F 7/285
 211/59.2
 6,931,824 B2 * 8/2005 Rogers B65B 43/465
 53/389.1
 7,156,230 B2 * 1/2007 Gyongyosi B65D 67/02
 206/338
 D567,271 S * 4/2008 Vine D15/145
 D642,837 S * 8/2011 Gray A47B 81/04
 D6/513
 D777,814 S * 1/2017 Verhoeven D15/145
 2014/0352253 A1 * 12/2014 Yamamoto B65B 43/465
 53/76
 2016/0200066 A1 * 7/2016 Boegli B31F 1/07
 101/28
 2016/0221702 A1 * 8/2016 Haddow B65B 43/465
 2016/0347483 A1 * 12/2016 Rea B65B 43/42

* cited by examiner

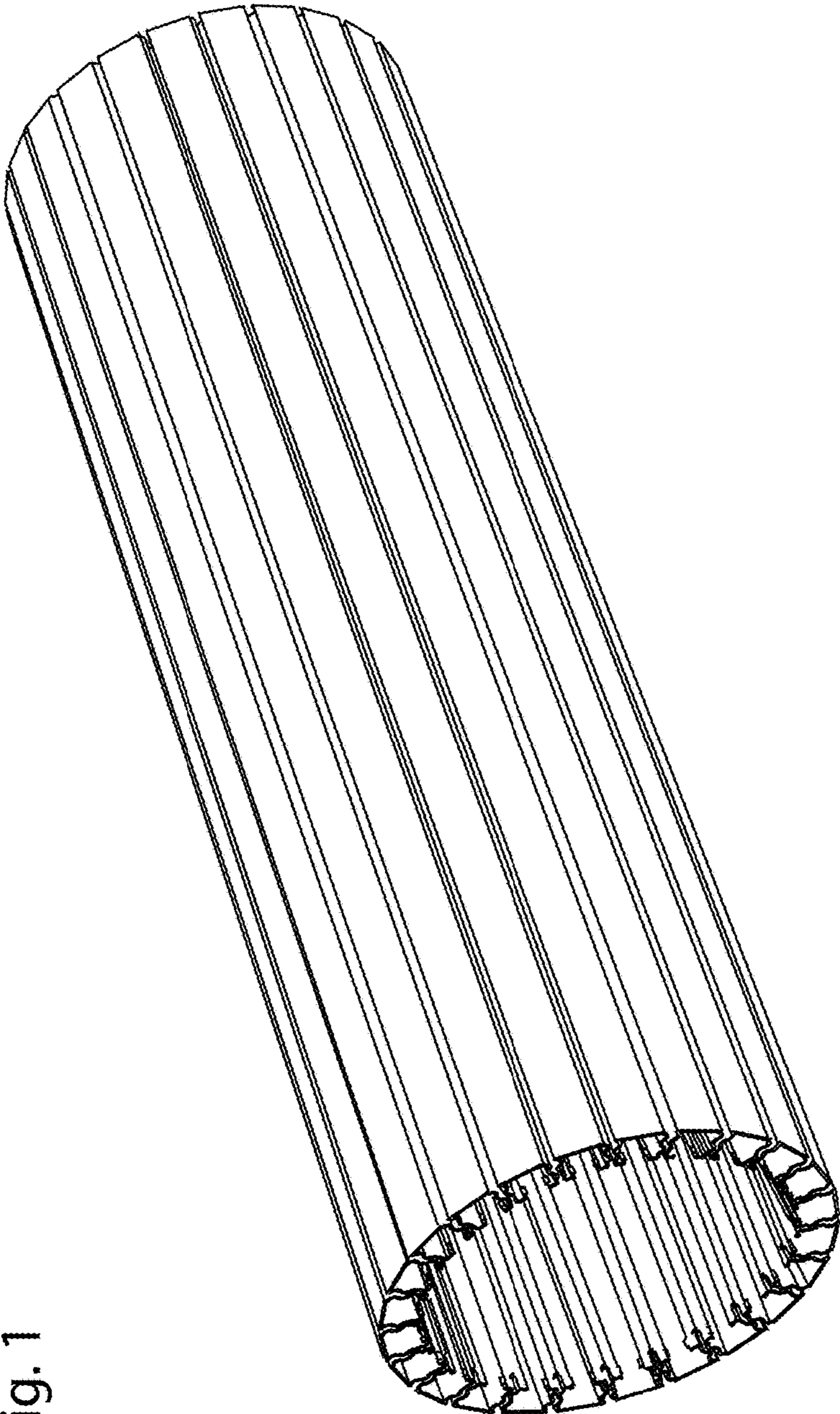


Fig. 1

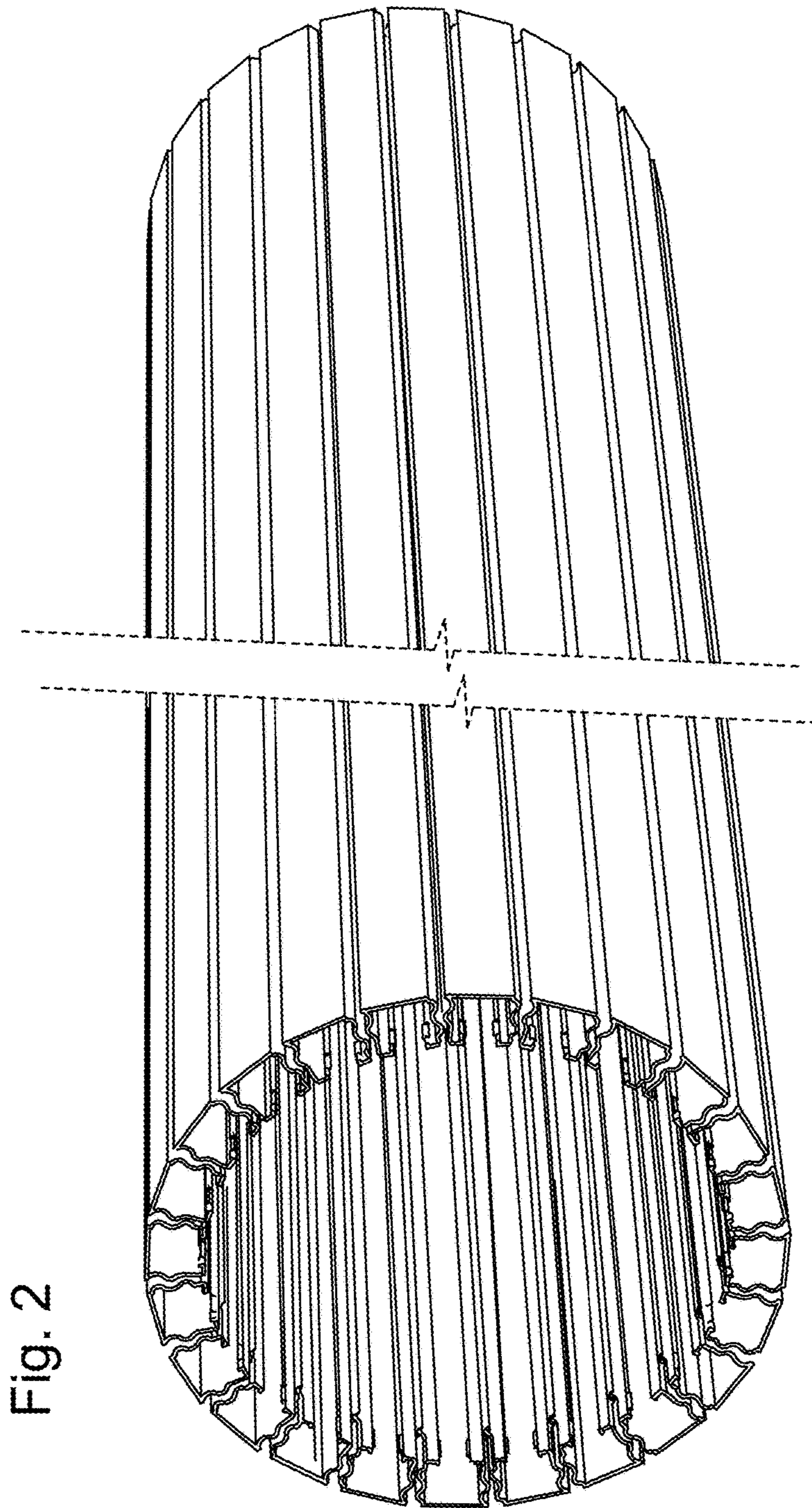


Fig. 2

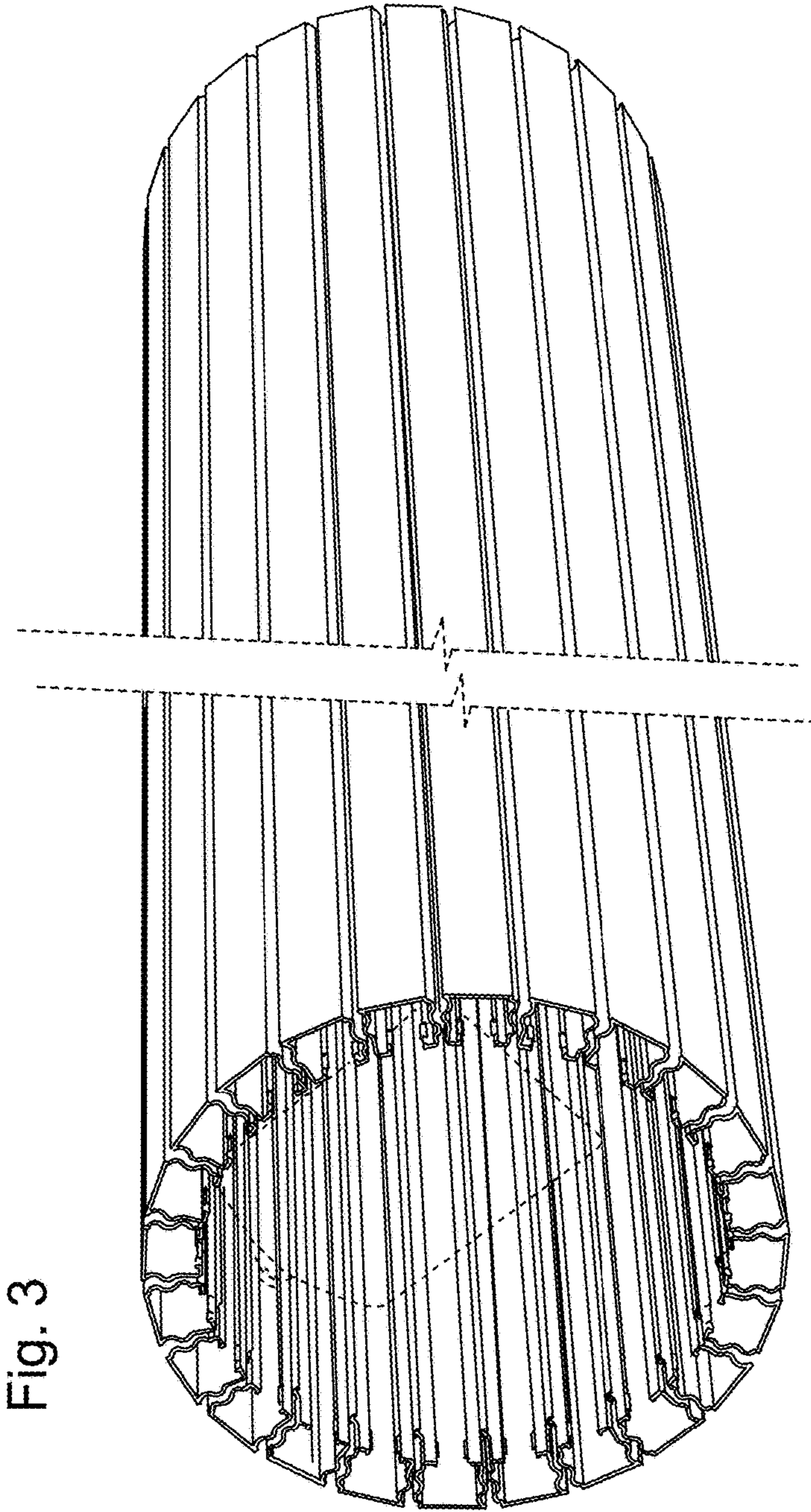


Fig. 3

Fig.4

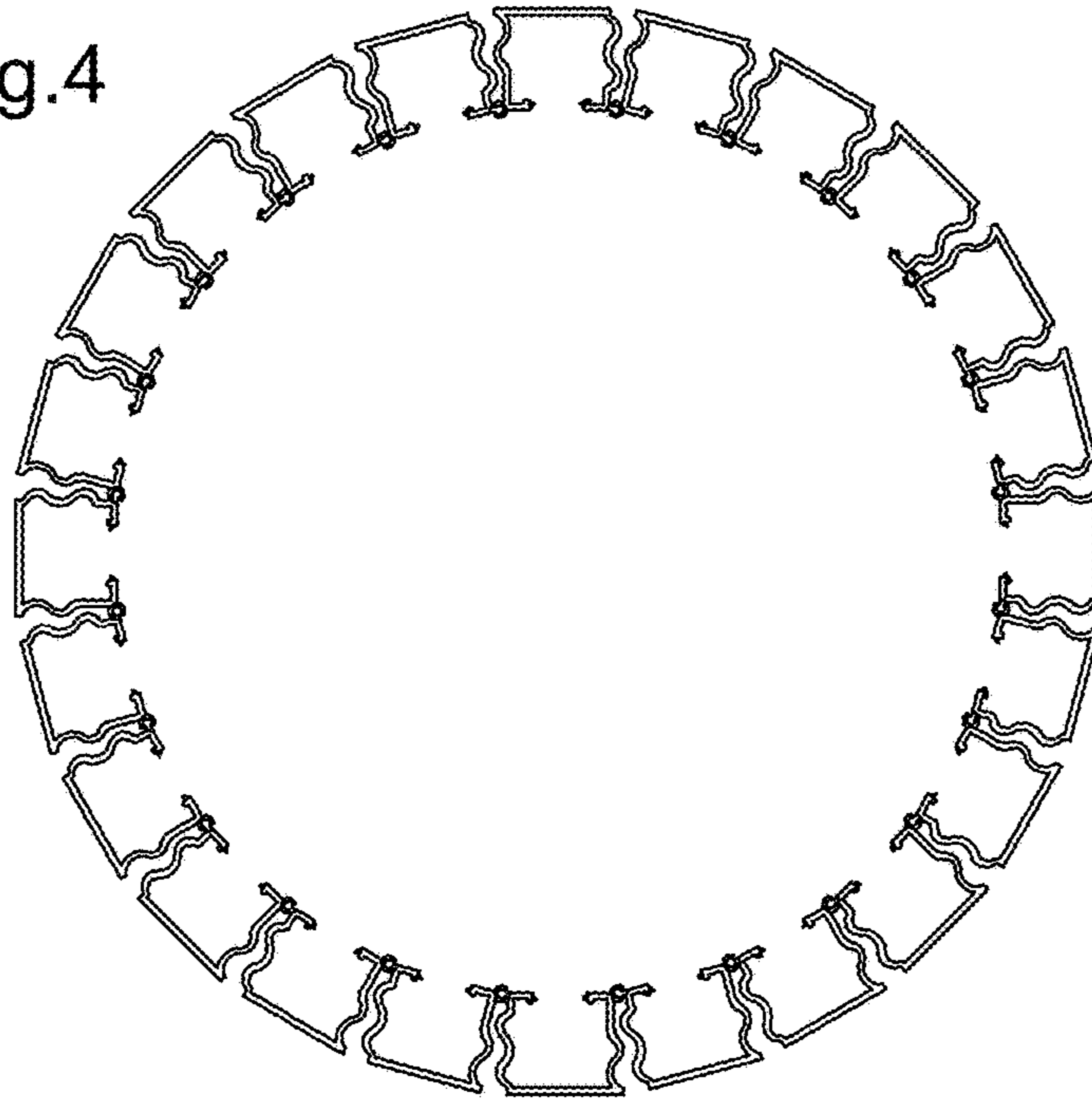


Fig. 5

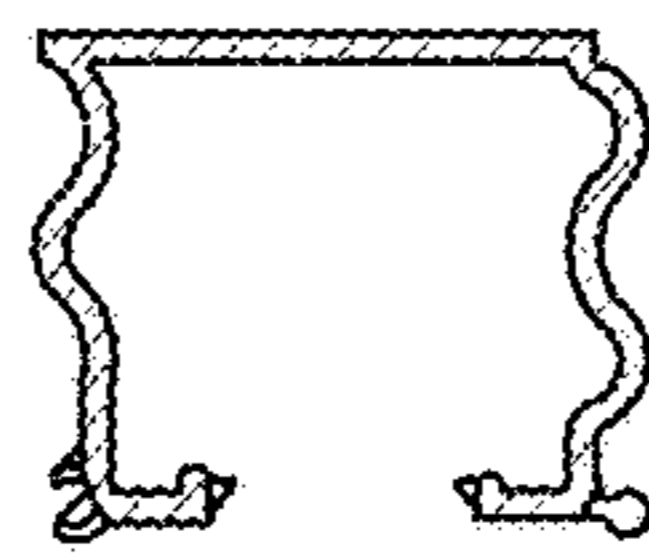


Fig. 6

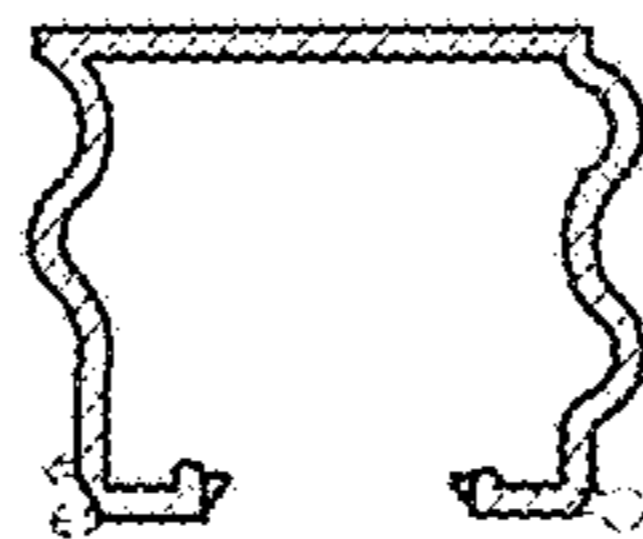


Fig. 7

