



US00D802034S

(12) **United States Design Patent**  
**Yamaguchi et al.**

(10) **Patent No.:** **US D802,034 S**

(45) **Date of Patent:** **\*\* Nov. 7, 2017**

- (54) **PLASMA TORCH ELECTRODE**
- (71) Applicants: **KOMATSU LTD.**, Tokyo (JP);  
**KOMATSU INDUSTRIES CORP.**,  
Kanazawa-shi, Ishikawa (JP)
- (72) Inventors: **Yoshihiro Yamaguchi**, Nomi (JP);  
**Keita Kondo**, Nomi (JP); **Shigeo**  
**Morimoto**, Hiratsuka (JP); **Katsuo**  
**Saio**, Hiratsuka (JP)
- (73) Assignees: **Komatsu LTD.**, Tokyo (JP); **Komatsu**  
**Industries Corp.**, Kanazawa-shi,  
Ishikawa (JP)

- 4,686,687 A \* 8/1987 Mure ..... H05B 7/06  
373/22
- 5,266,776 A \* 11/1993 Boisvert ..... B23K 10/00  
219/119
- 5,514,848 A 5/1996 Ross et al.
- 5,540,046 A \* 7/1996 Sankovic ..... B64G 1/406  
60/203.1
- 5,856,647 A \* 1/1999 Luo ..... B23K 10/00  
219/121.48
- 5,893,985 A \* 4/1999 Luo ..... B23K 10/00  
219/121.48
- 5,965,040 A \* 10/1999 Luo ..... B23K 10/00  
219/121.48
- 6,163,008 A \* 12/2000 Roberts ..... H05H 1/34  
219/121.48

(Continued)

- (\*\*) Term: **15 Years**
- (21) Appl. No.: **29/534,306**
- (22) Filed: **Jul. 28, 2015**

*Primary Examiner* — Patricia Palasik  
(74) *Attorney, Agent, or Firm* — Fox Rothschild LLP

(30) **Foreign Application Priority Data**

Jan. 30, 2015 (JP) ..... 2015-001797

- (51) **LOC (10) Cl.** ..... **15-09**
- (52) **U.S. Cl.**  
USPC ..... **D15/144**
- (58) **Field of Classification Search**  
USPC ..... D8/14, 14.1, 29.1, 30; D15/122, 144,  
D15/144.1, 144.2; 219/75, 121.5, 121.45,  
219/121.48, 1, 121.51; 313/231.41  
See application file for complete search history.

(57) **CLAIM**

The ornamental design for a plasma torch electrode, as shown and described.

(56) **References Cited**

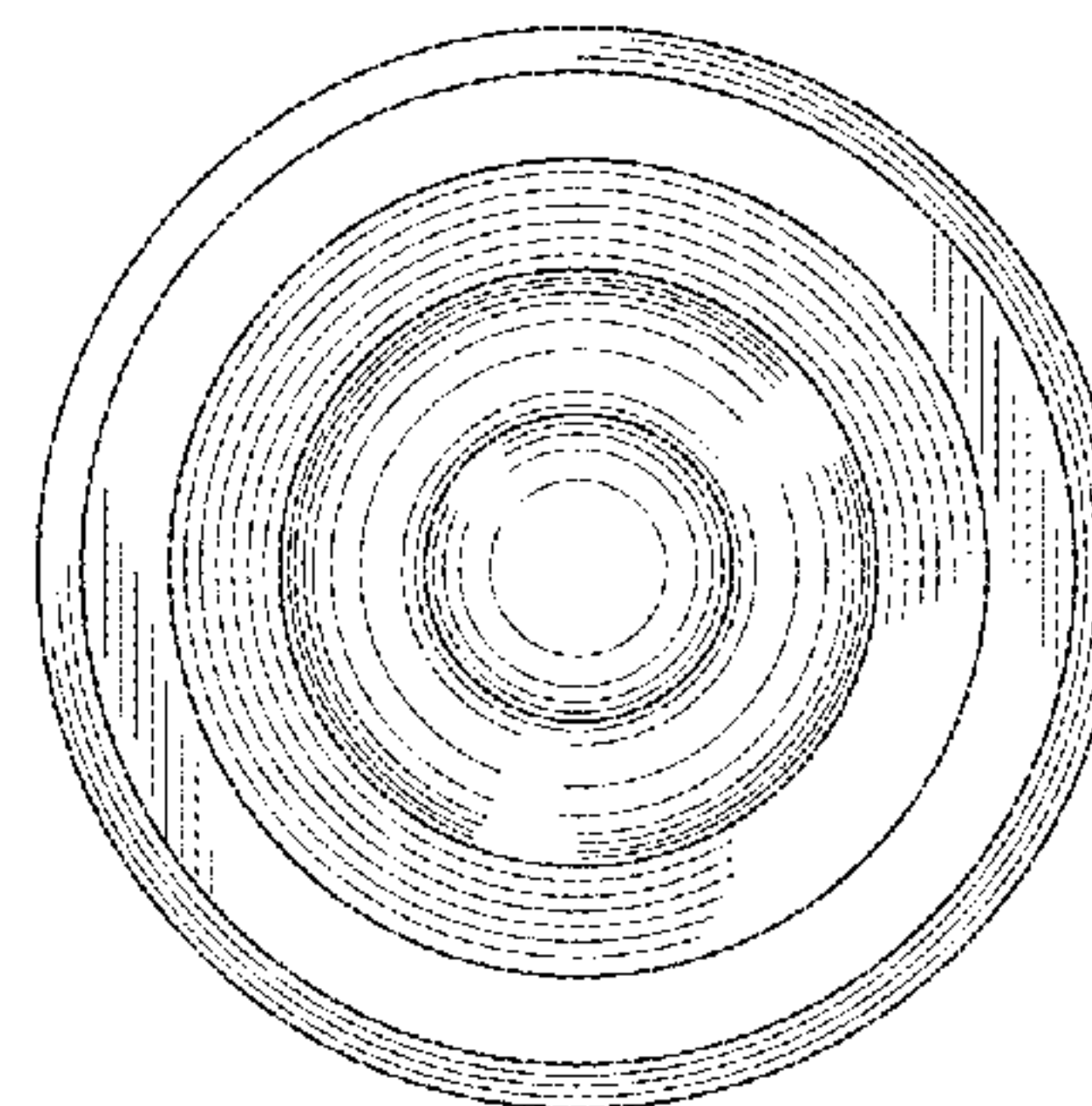
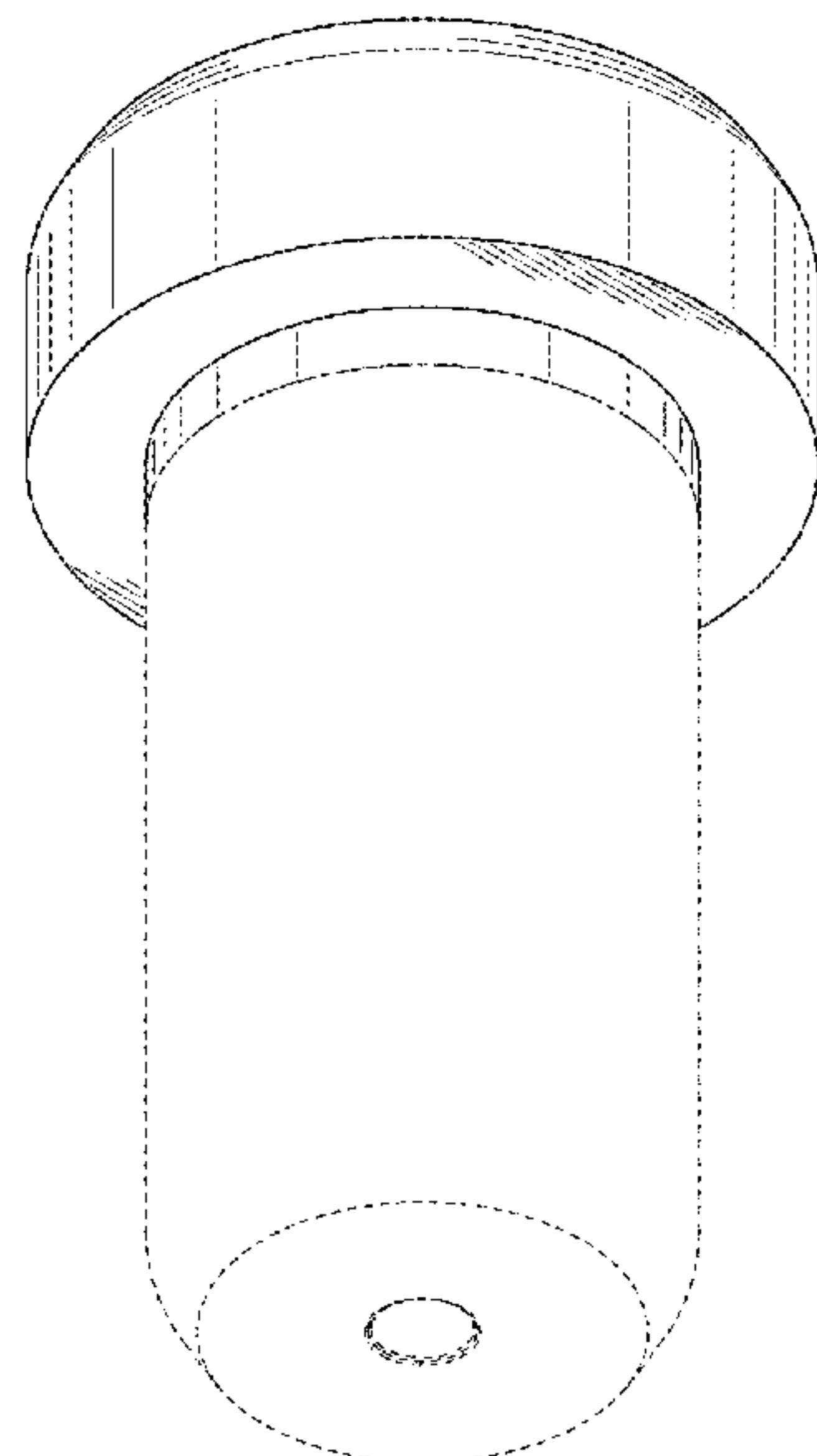
U.S. PATENT DOCUMENTS

- 3,294,953 A 12/1966 Spies, Jr.
- D231,834 S \* 6/1974 Reinke et al. .... D15/144
- 3,909,581 A \* 9/1975 Stone ..... B23K 11/3009  
219/119
- D269,519 S \* 6/1983 Braun ..... D15/138

**DESCRIPTION**

FIG. 1 is a front perspective view of a plasma torch electrode showing our new design;  
 FIG. 2 is a front view thereof, the rear view, the right side view and the left side view being identical to FIG. 2;  
 FIG. 3 is a top plan view thereof;  
 FIG. 4 is a bottom plan view thereof;  
 FIG. 5 is a cross-sectional view taken along line 5-5 in FIG. 2; and,  
 FIG. 6 is a cross-sectional view showing the article installed in a plasma torch.  
 The features shown in even-length broken lines in the drawings depict environmental subject matter only and form no part of the claimed design. The dot-dashed lines shown in FIGS. 1 and 2 denote the boundary of the claim and form no part of the claimed design.

**1 Claim, 6 Drawing Sheets**



(56)

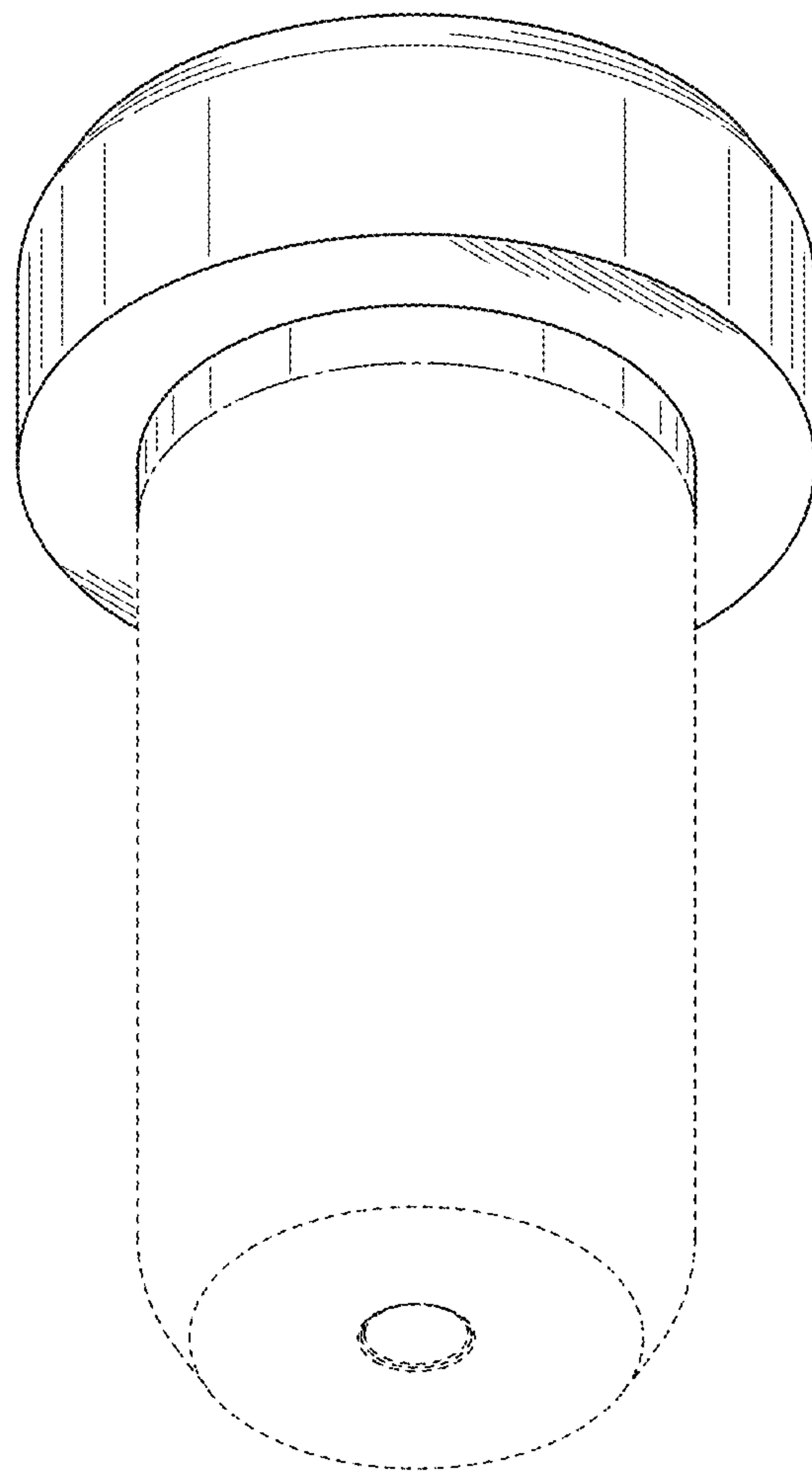
**References Cited**

U.S. PATENT DOCUMENTS

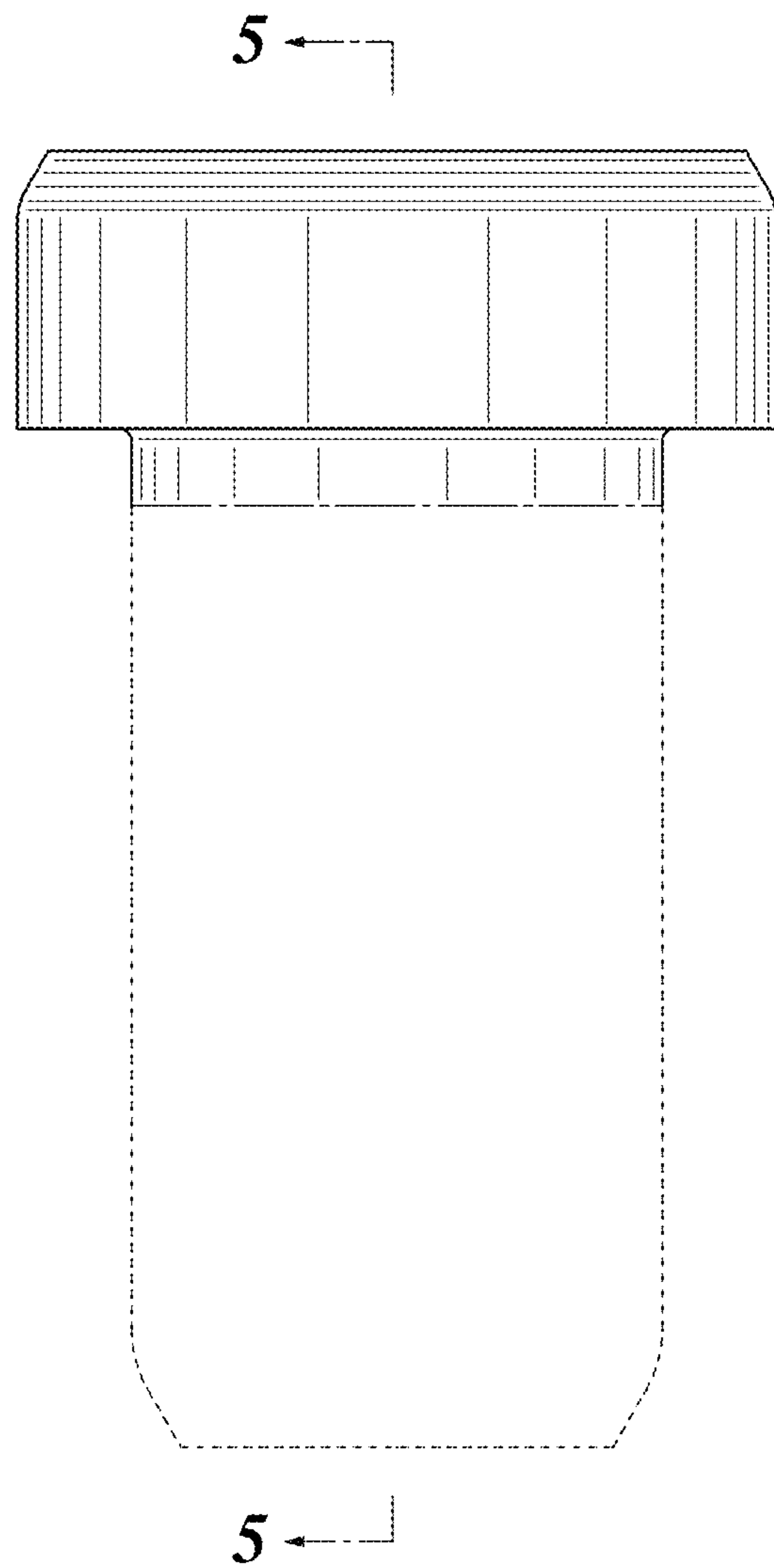
D446,530	S *	8/2001	Kuraoka .....	D15/144
6,559,407	B2 *	5/2003	Chancey .....	H05H 1/34 219/121.47
D492,709	S *	7/2004	Horner-Richardson .....	D15/144
D499,620	S *	12/2004	Horner-Richardson .....	D8/30
D504,142	S *	4/2005	Horner-Richardson .....	D15/144
D511,280	S *	11/2005	Horner-Richardson .....	D8/30
D517,577	S *	3/2006	Conway .....	D15/144
7,500,590	B2 *	3/2009	Mironescu .....	B23K 20/007 228/180.5
7,544,913	B2 *	6/2009	Helenius .....	H05H 1/28 219/121.48
7,605,340	B2 *	10/2009	Duan .....	H05H 1/34 219/121.49
8,105,325	B2 *	1/2012	Suslov .....	H05H 1/34 606/39
8,338,740	B2 *	12/2012	Liebold .....	H05H 1/28 219/121.5
9,101,041	B2 *	8/2015	Reinke .....	H05H 1/34
9,426,874	B2 *	8/2016	Crowe .....	F16F 1/06

\* cited by examiner

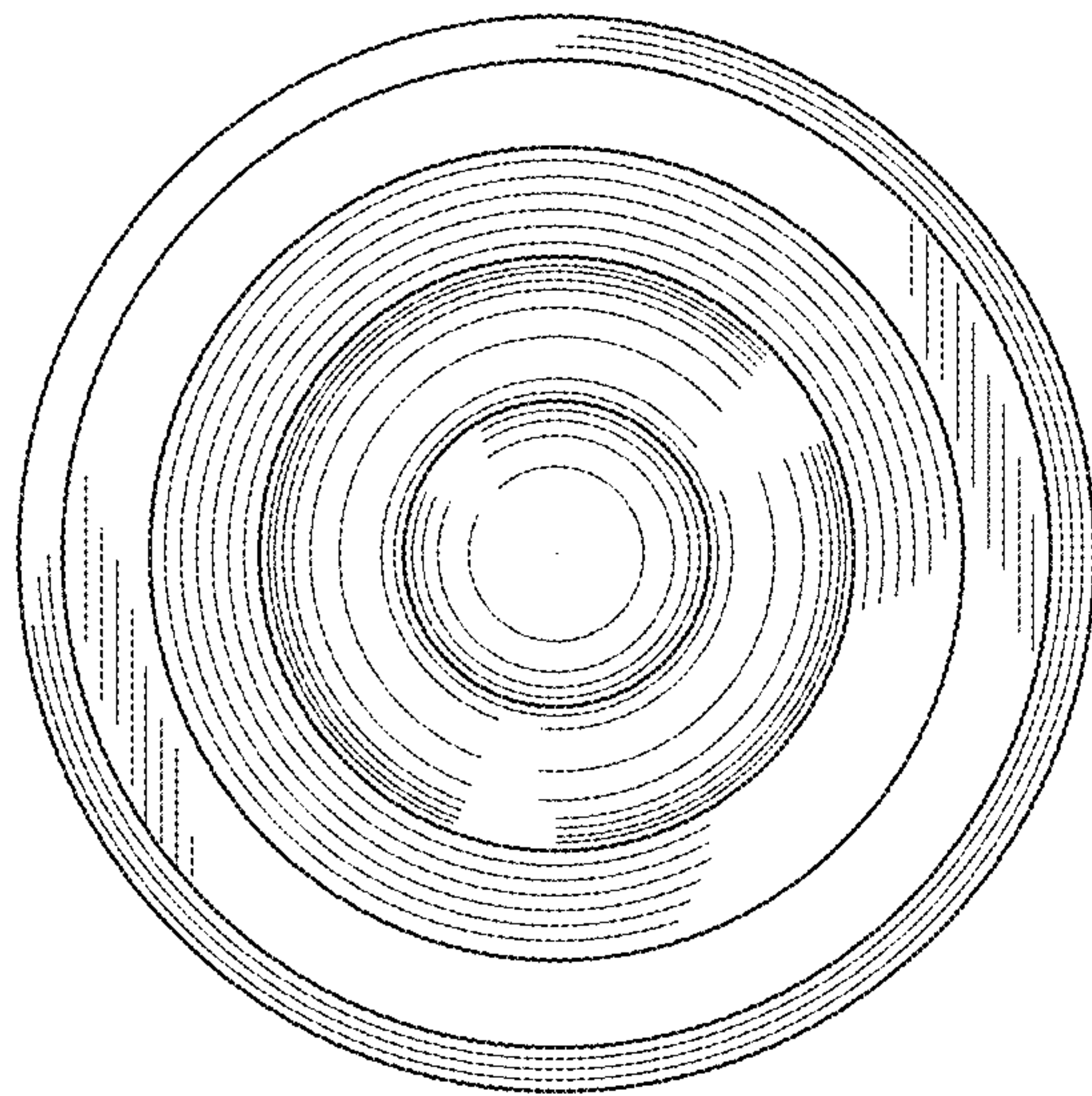
***FIG. 1***



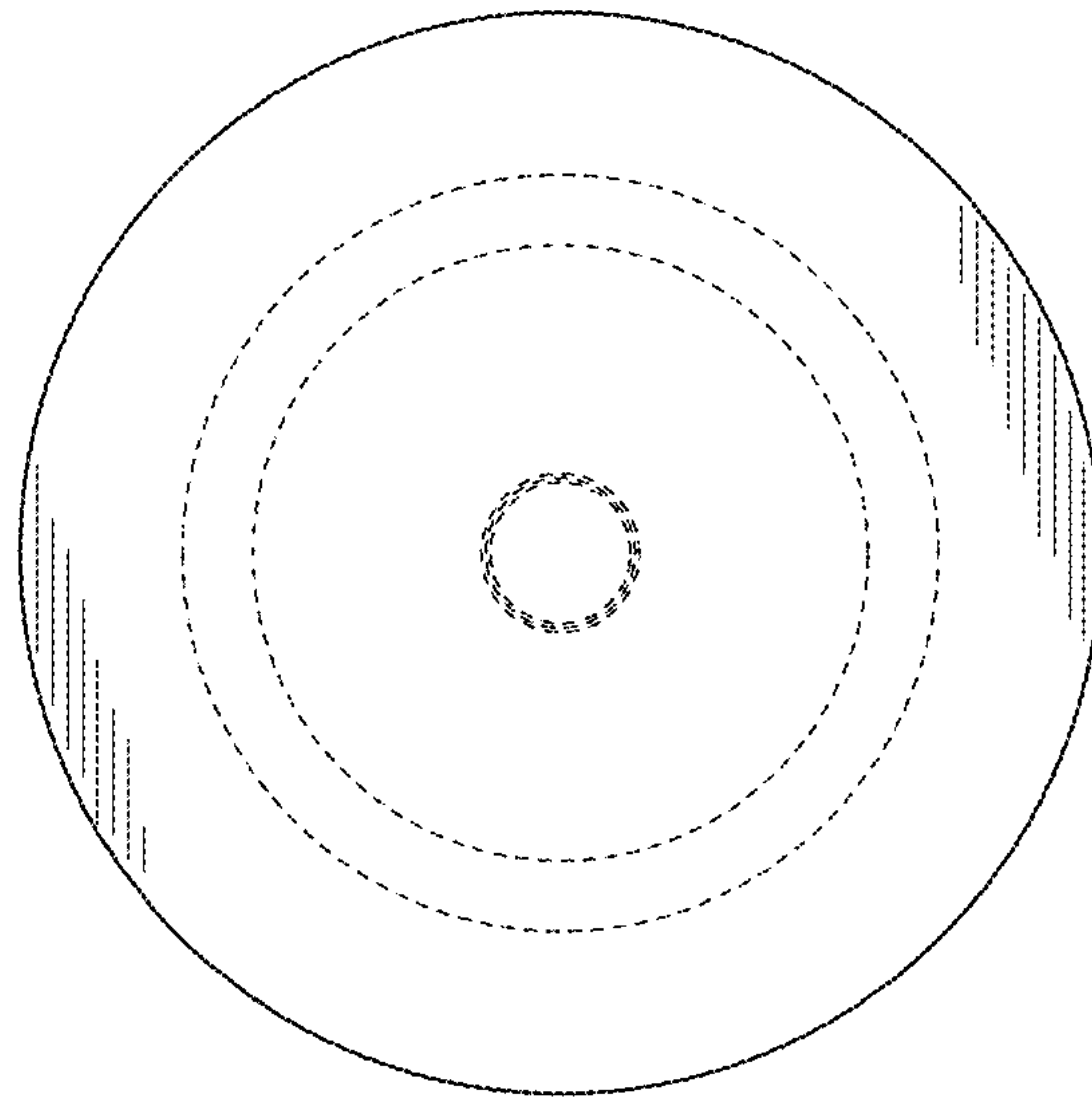
**FIG. 2**



***FIG. 3***

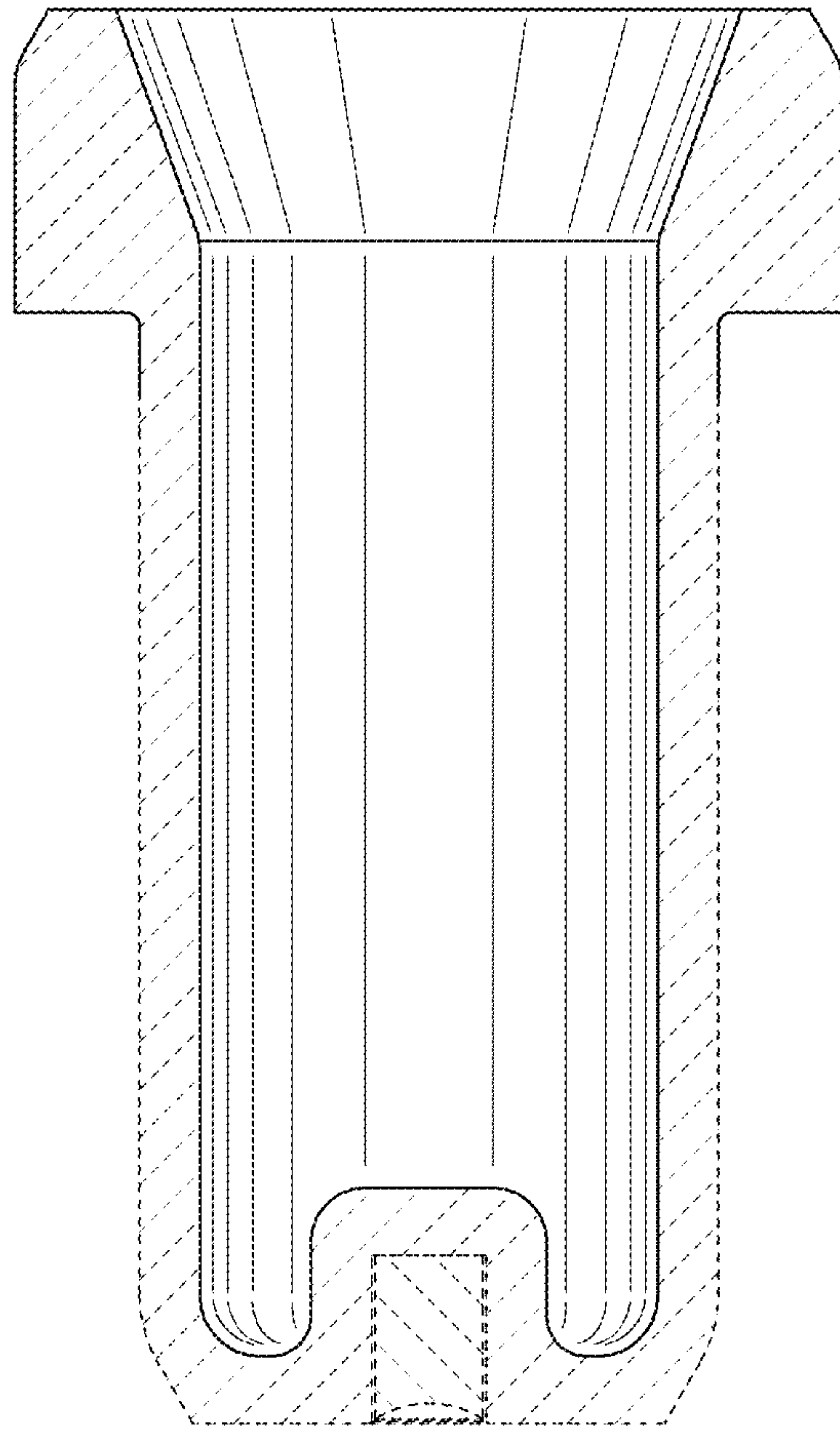


***FIG. 4***





***FIG. 5***



**FIG. 6**

