



US00D802033S

(12) **United States Design Patent**
Waterman

(10) **Patent No.:** **US D802,033 S**

(45) **Date of Patent:** **** Nov. 7, 2017**

- (54) **BUSHING**
- (71) Applicant: **Harman International Industries, Incorporated**, Northridge, CA (US)
- (72) Inventor: **Matthew Nathan Waterman**, Middletown, CT (US)
- (73) Assignee: **Harman International Industries, Incorporated**, Northridge, CA (US)

(**) Term: **15 Years**

(21) Appl. No.: **29/549,194**

(22) Filed: **Dec. 19, 2015**

(51) **LOC (10) Cl.** **15-09**

(52) **U.S. Cl.**
USPC **D15/143**

(58) **Field of Classification Search**
USPC D8/350, 352, 353, 356; D15/138, 143
CPC F16L 41/08; H02G 3/0683; Y10T 16/05
See application file for complete search history.

(56) **References Cited**

U.S. PATENT DOCUMENTS

- 889,455 A * 6/1908 Glass F16L 5/00
16/2.1
- 2,424,756 A * 7/1947 Klumpp, Jr. H02G 3/083
174/153 G
- 2,583,719 A * 1/1952 White B29C 65/00
16/2.1
- 3,643,290 A * 2/1972 Milne F16L 41/08
16/2.1
- 3,801,209 A * 4/1974 Matsuoka B60G 7/02
16/2.1

- 4,912,285 A * 3/1990 Falciglia H02G 3/0691
16/2.2
- 5,143,456 A * 9/1992 Jordens B60G 7/00
384/222
- D375,250 S * 11/1996 Dollins D8/356
- RE39,840 E * 9/2007 Baker H01F 27/04
174/142
- D638,451 S * 5/2011 Wong D15/138
- D677,292 S * 3/2013 Barnes D15/132
- 2002/0038492 A1 * 4/2002 Hashimoto B60R 16/0222
16/2.1
- 2003/0118259 A1 * 6/2003 Denner B60B 7/00
384/416
- 2014/0033474 A1 * 2/2014 Violato A41F 1/02
16/2.1

* cited by examiner

Primary Examiner — Patricia Palasik

(74) *Attorney, Agent, or Firm* — Plumsea Law Group, LLC

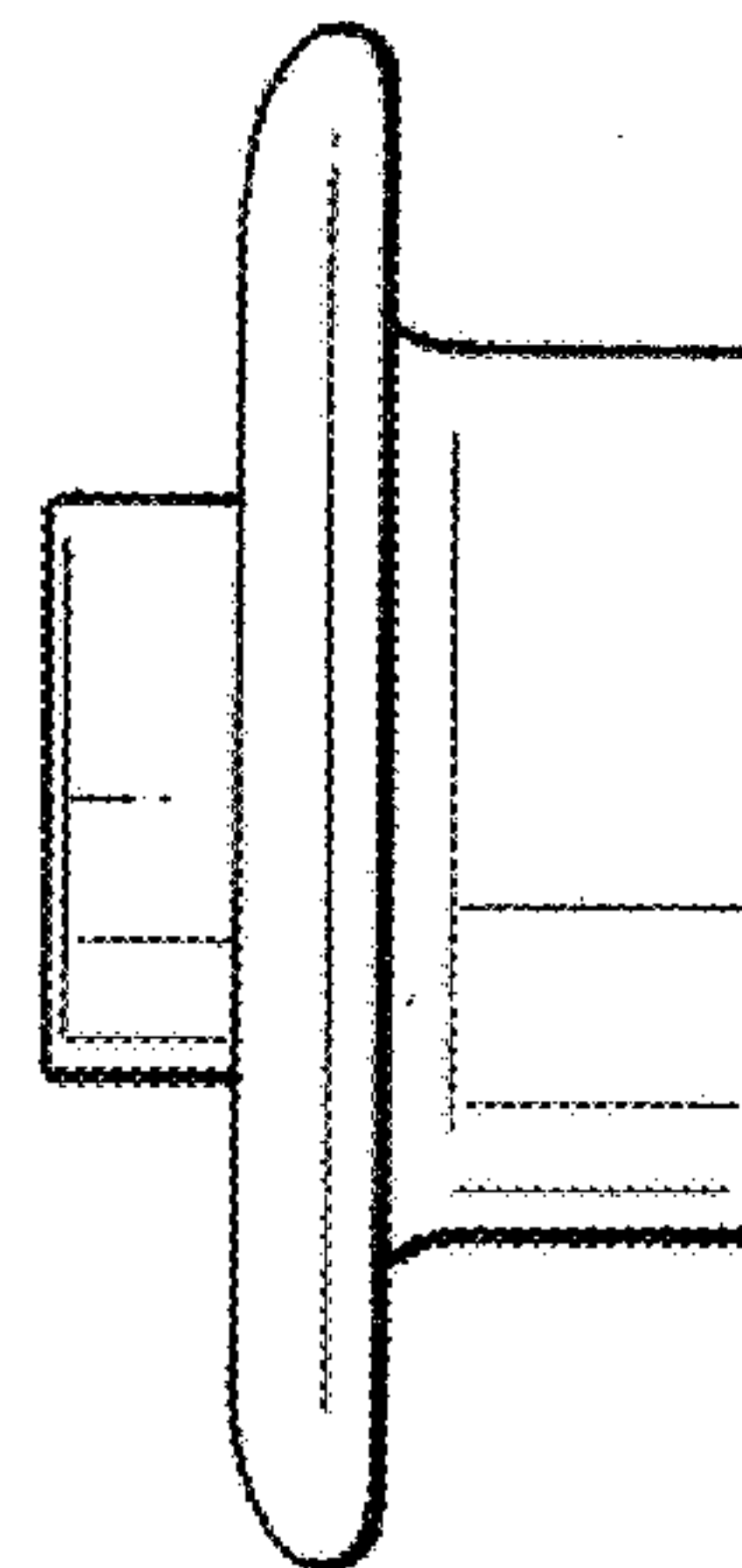
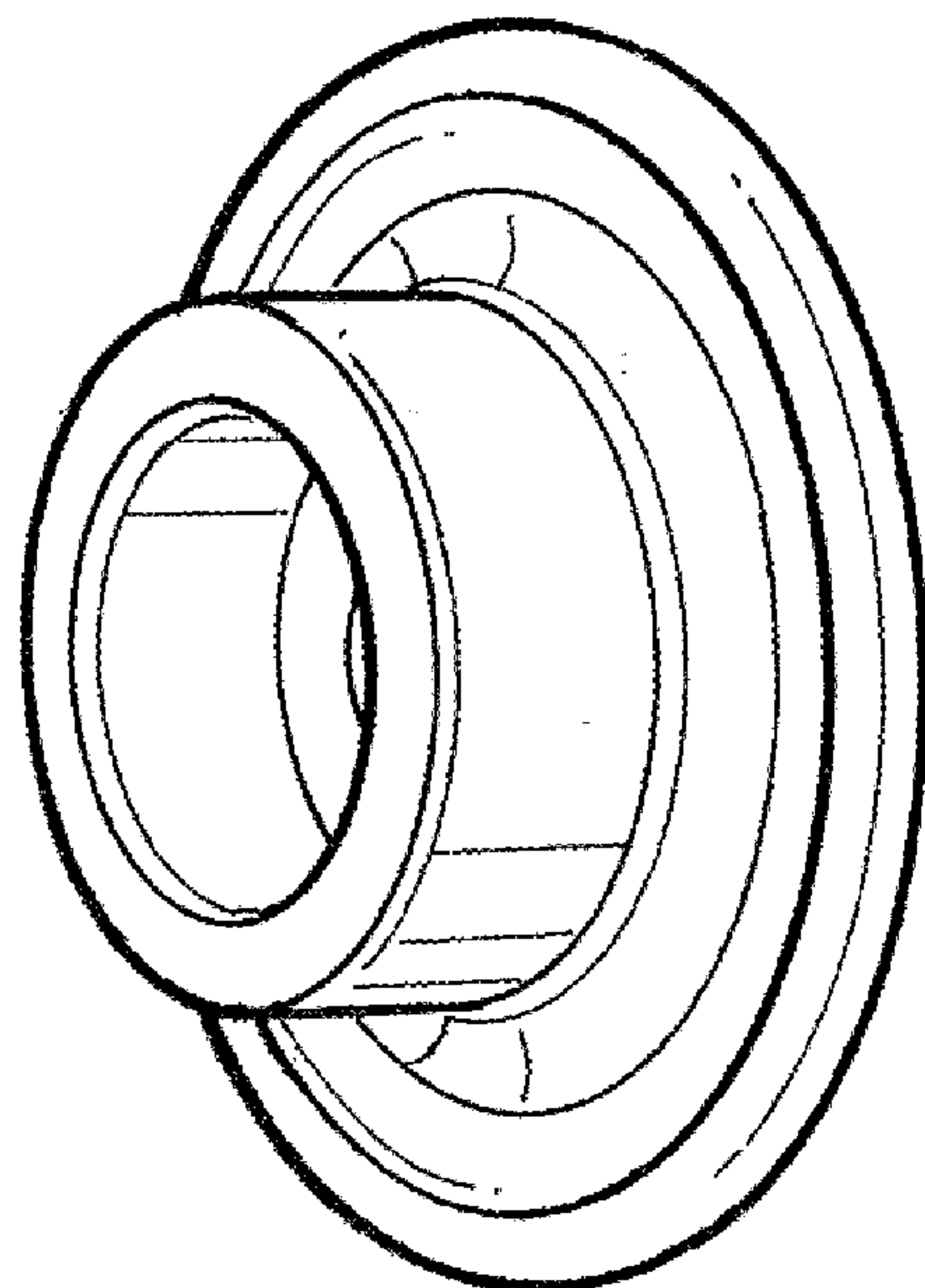
(57) **CLAIM**

The ornamental design for a bushing, as shown and described.

DESCRIPTION

FIG. 1 is a perspective view of a bushing showing my new design;
FIG. 2 is a front elevational view thereof;
FIG. 3 is a rear elevational view thereof;
FIG. 4 is a side elevational view of one side thereof, the opposite side elevational view being a mirror image thereof, the top and bottom plan views being identical to FIG. 4; and, FIG. 5 is a cross-section taken along line 5-5 of FIG. 2.

1 Claim, 2 Drawing Sheets



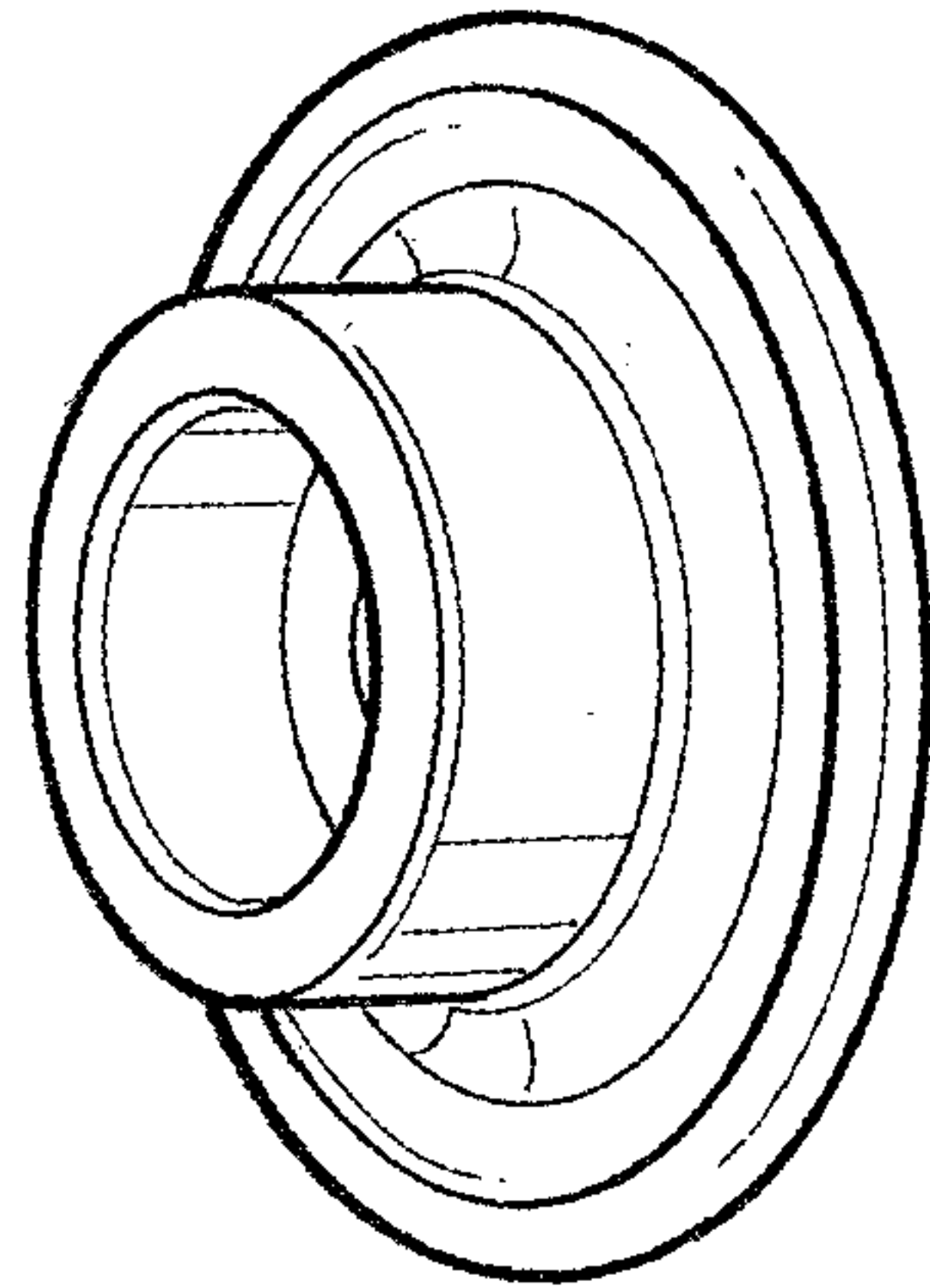


FIG. 1

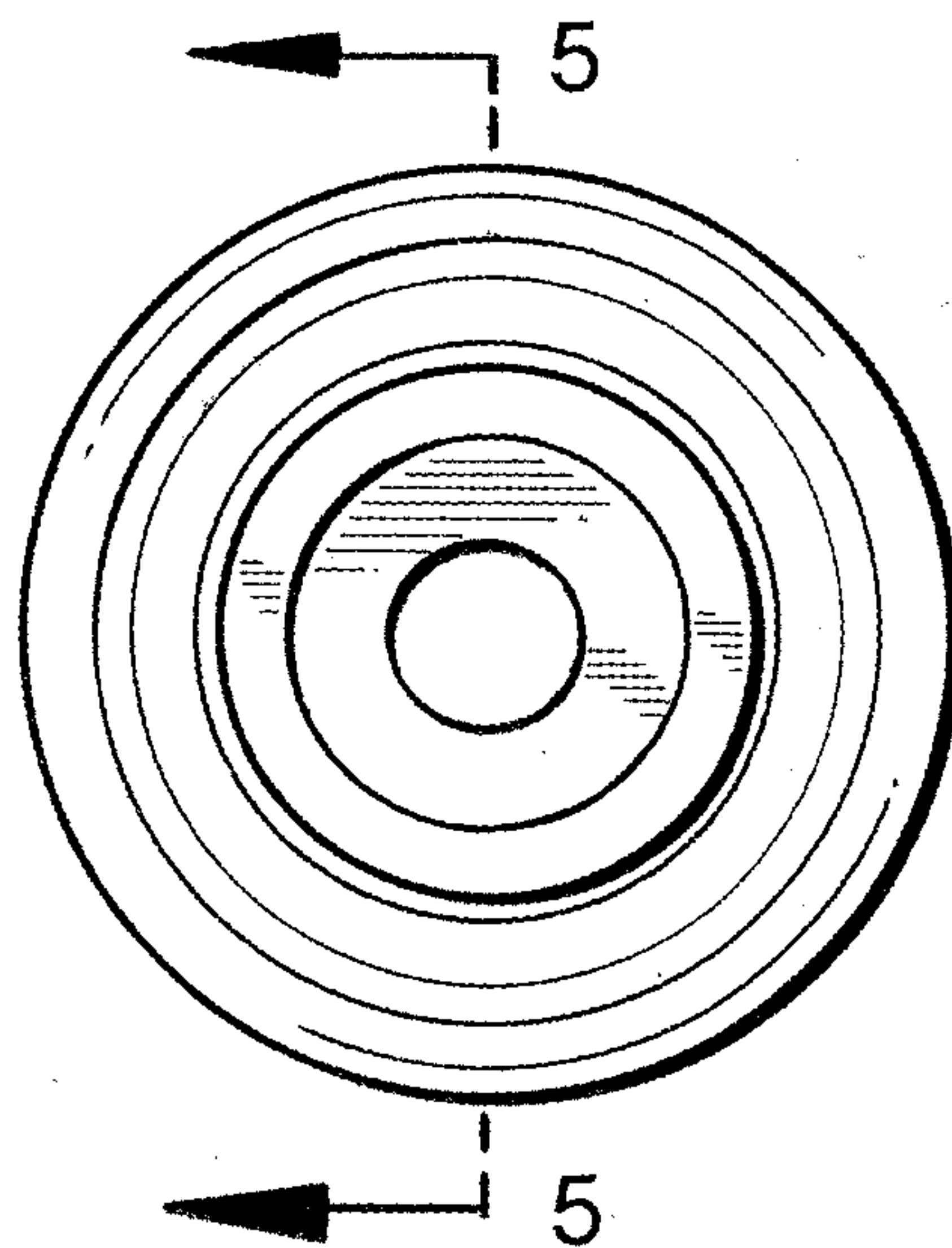


FIG. 2

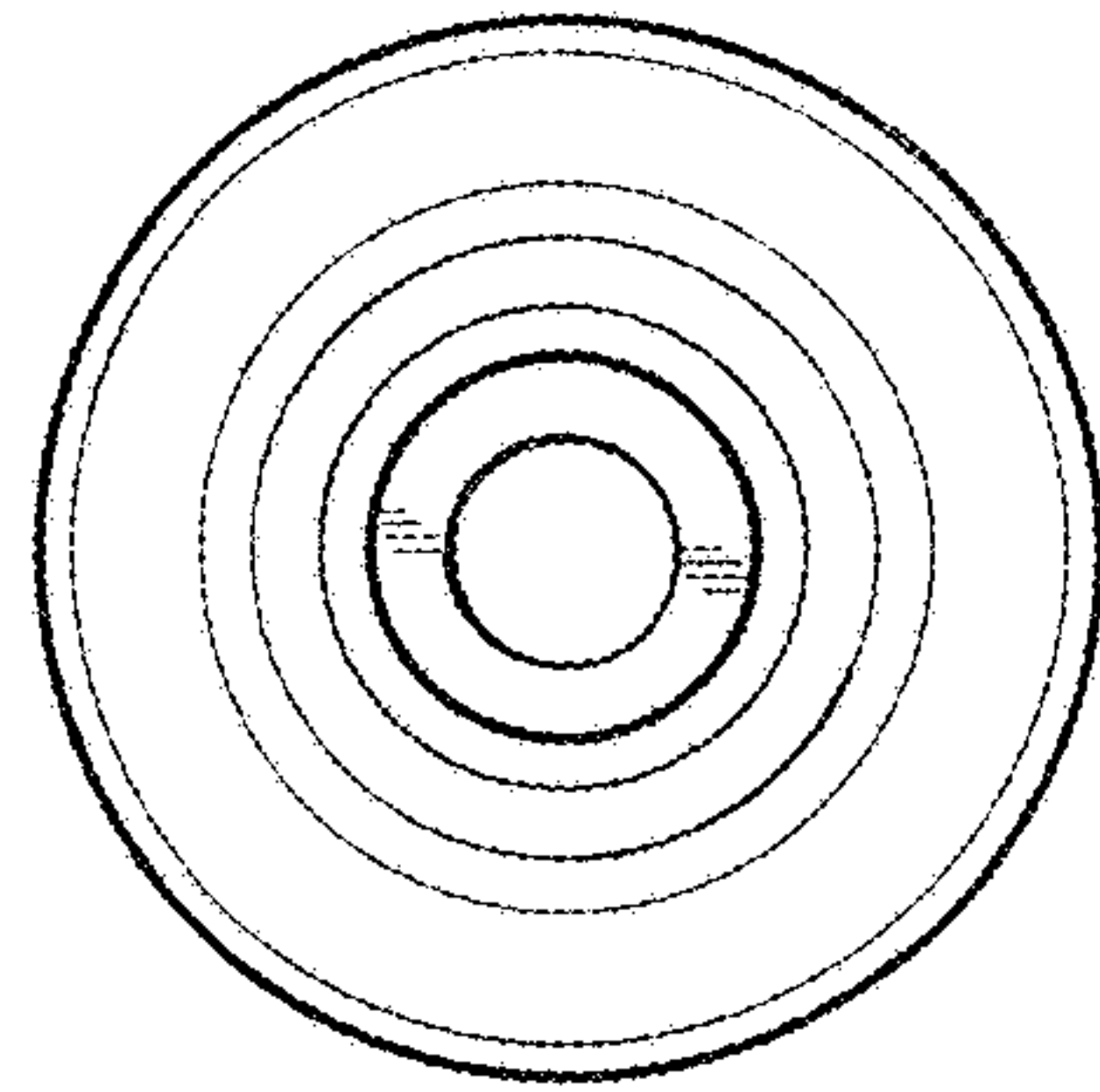


FIG. 3

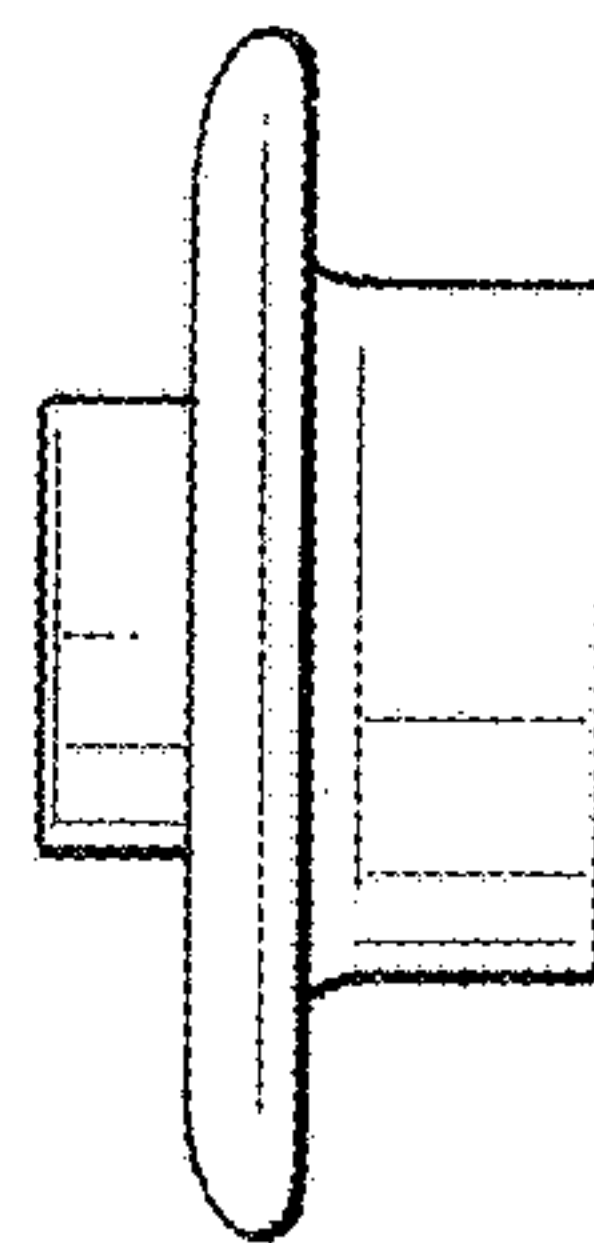


FIG. 4

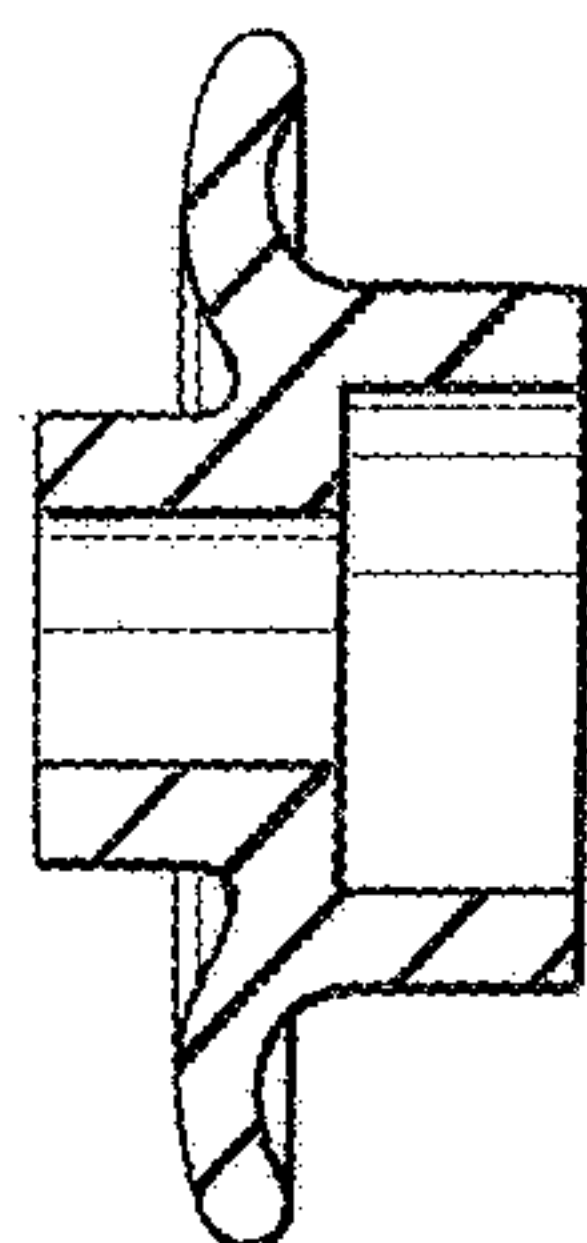


FIG. 5