



US00D802032S

(12) **United States Design Patent**
Reinius et al.

(10) **Patent No.:** **US D802,032 S**

(45) **Date of Patent:** **** Nov. 7, 2017**

(54) **SANDING MACHINE**

(71) Applicant: **KWH Mirka Ltd**, Jepua (FI)

(72) Inventors: **Pelle Reinius**, Enskede gard (SE);
Hans Himbert, Stockholm (SE)

(73) Assignee: **KWH MIRKA LTD**, Jepua (FI)

(**) Term: **15 Years**

(21) Appl. No.: **29/549,059**

(22) Filed: **Dec. 18, 2015**

(30) **Foreign Application Priority Data**

Jun. 18, 2015 (EM) 002722017-0001

(51) **LOC (10) Cl.** **15-09**

(52) **U.S. Cl.**
USPC **D15/124**

(58) **Field of Classification Search**
USPC D15/124, 126
CPC B24B 7/184; B24B 7/188; B24B 7/222;
B24B 21/04; B24B 21/20; B24B 23/02;
B24B 41/047; B24B 55/102; B24D
13/147

See application file for complete search history.

(56) **References Cited**

U.S. PATENT DOCUMENTS

2,588,707 A * 3/1952 Dwyer B24B 7/188
451/352
2,596,689 A * 5/1952 Holt A47L 11/18
451/352
2,956,379 A * 10/1960 Statler B24B 7/186
15/380
4,136,491 A * 1/1979 Redifer B24B 7/186
15/49.1
5,890,772 A * 4/1999 Mravyan B24B 7/188
175/374

5,890,954 A * 4/1999 Barous B24B 7/186
451/350
6,425,813 B1 * 7/2002 Ernst B24B 7/186
451/350
6,500,057 B1 * 12/2002 Medina B24B 7/184
451/354
6,595,838 B1 * 7/2003 Palushi B24B 7/186
451/259
7,147,548 B1 * 12/2006 Mehrabi B24B 7/186
125/38
7,261,623 B1 * 8/2007 Palushi B24B 7/186
451/350
7,563,156 B2 * 7/2009 Anderson B24B 7/186
451/353
2003/0040265 A1 * 2/2003 Palushi B24B 41/047
451/350
2007/0178999 A1 * 8/2007 Wilson B24B 7/186
474/87
2007/0212982 A1 * 9/2007 Marrs B24B 7/188
451/11
2007/0232207 A1 * 10/2007 Palushi B24B 7/186
451/350

* cited by examiner

Primary Examiner — Patricia Palasik
(74) *Attorney, Agent, or Firm* — Jacobson Holman,
PLLC.

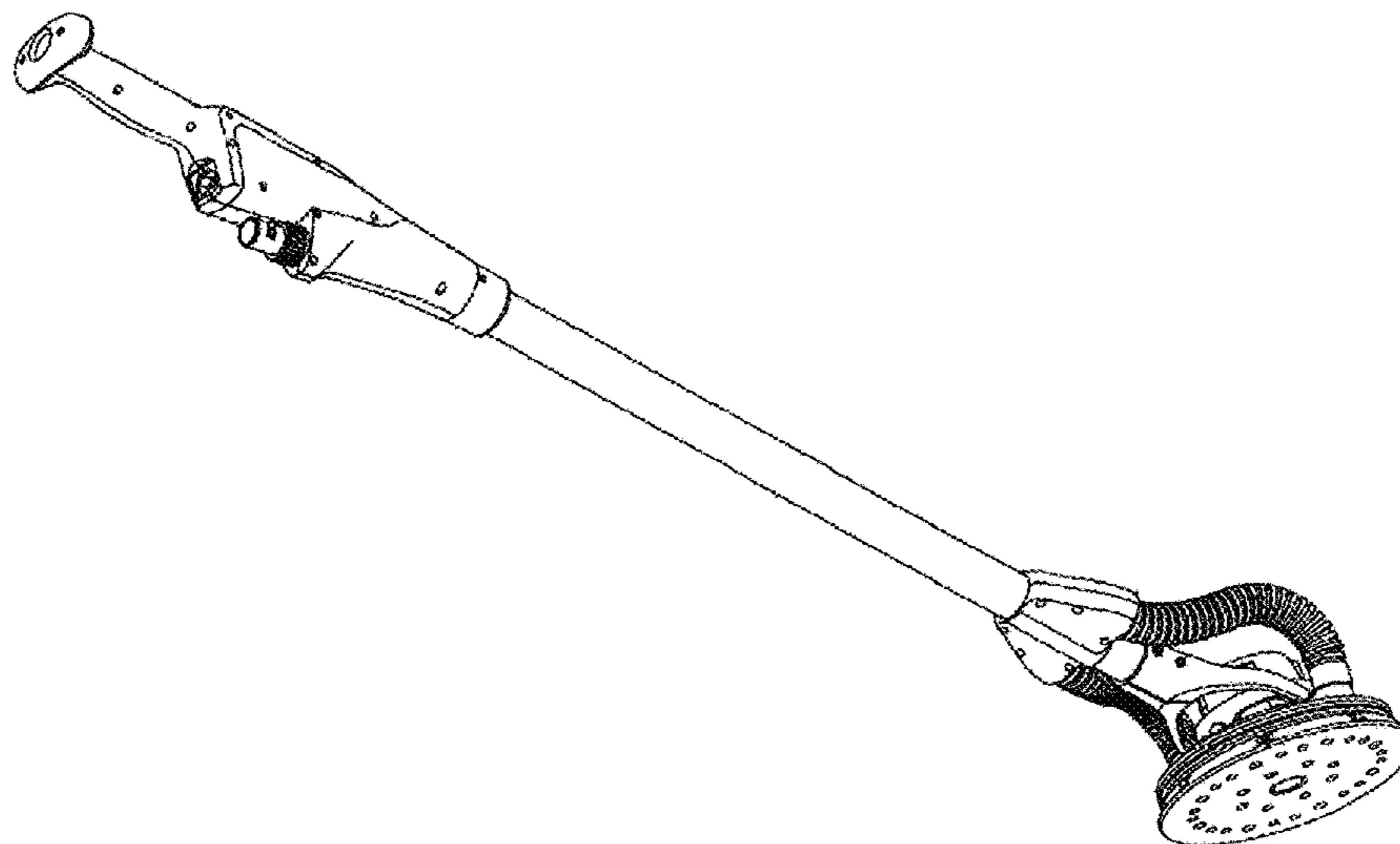
(57) **CLAIM**

We claim an ornamental design for a sanding machine, as shown and described.

DESCRIPTION

FIG. 1 is a front perspective view of the sanding machine embodying our design;
FIG. 2 is a top plan view of FIG. 1;
FIG. 3 is a bottom view of FIG. 1;
FIG. 4 is a right side elevational view of FIG. 1;
FIG. 5 is a left side elevational view of FIG. 1;
FIG. 6 is a front elevational view of FIG. 1; and,
FIG. 7 is a rear elevational view of FIG. 1.

1 Claim, 5 Drawing Sheets



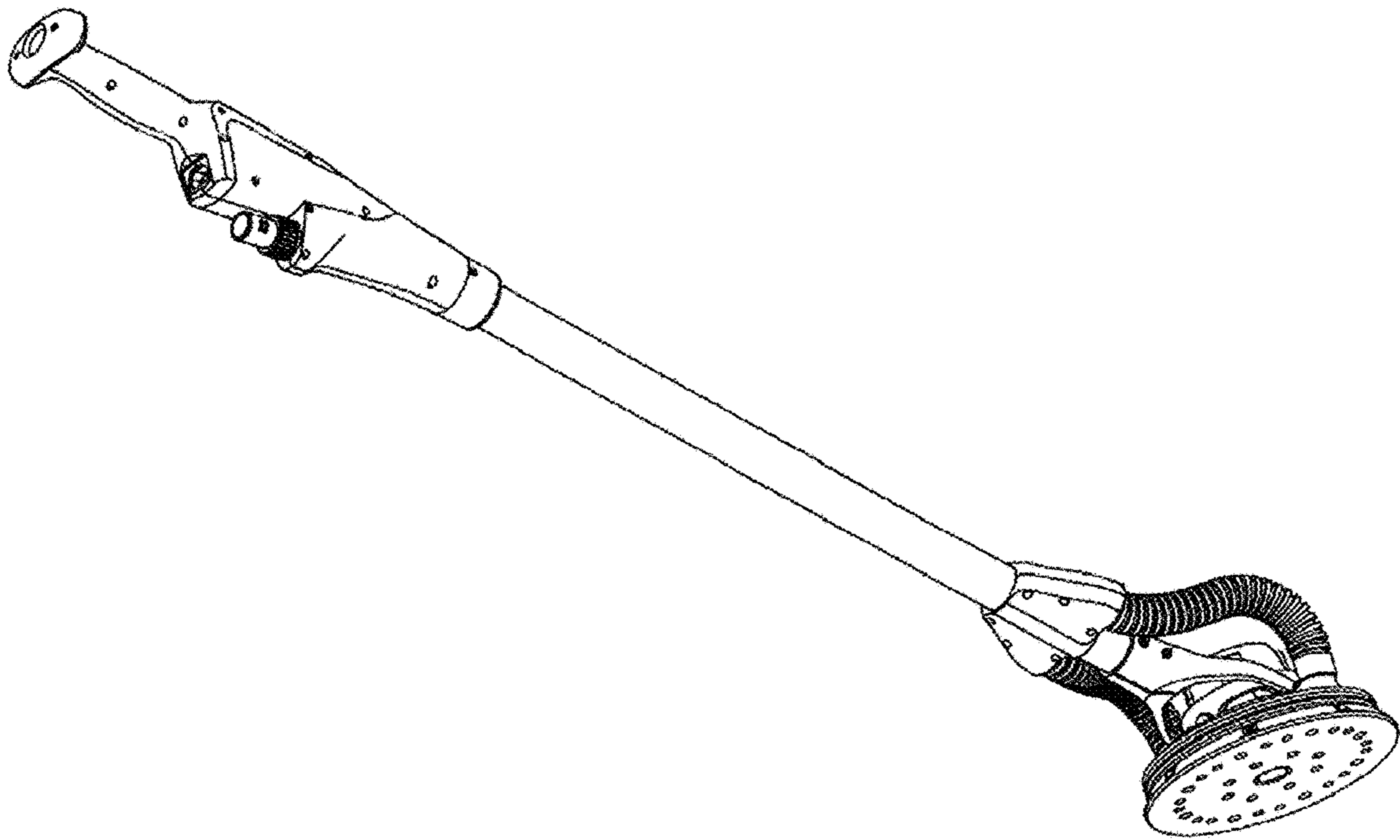


FIG. 1

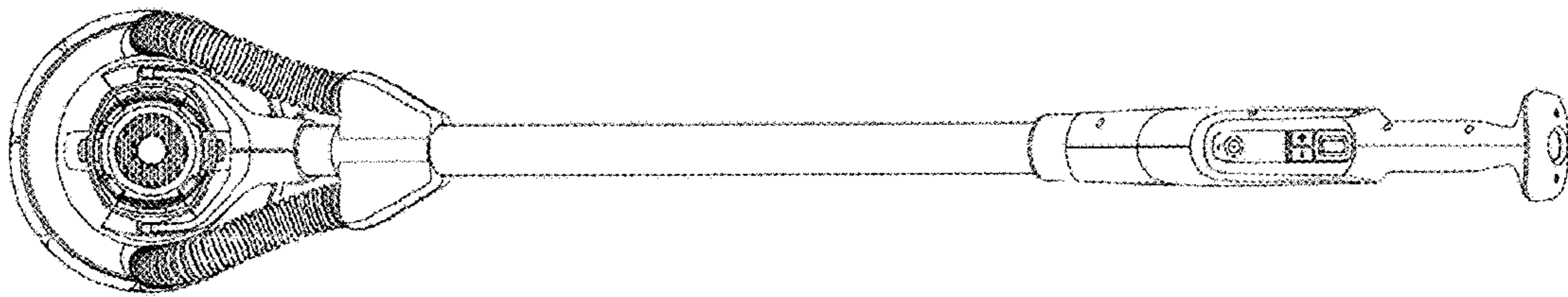


FIG. 2

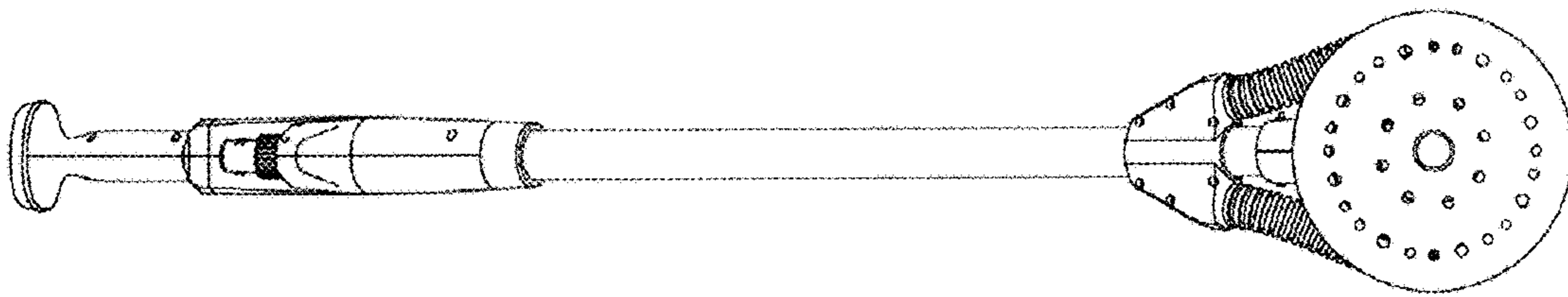


FIG. 3

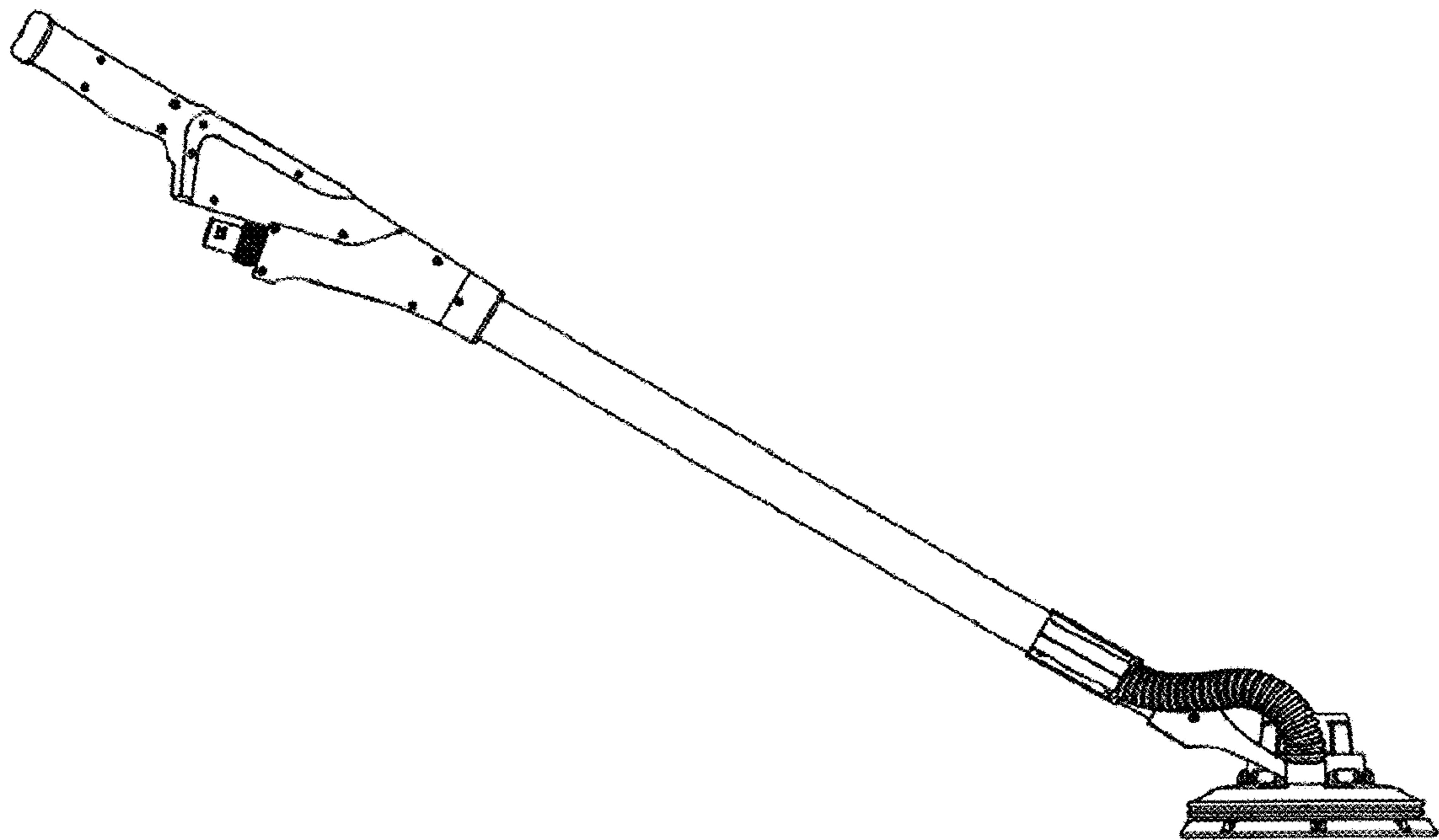


FIG. 4

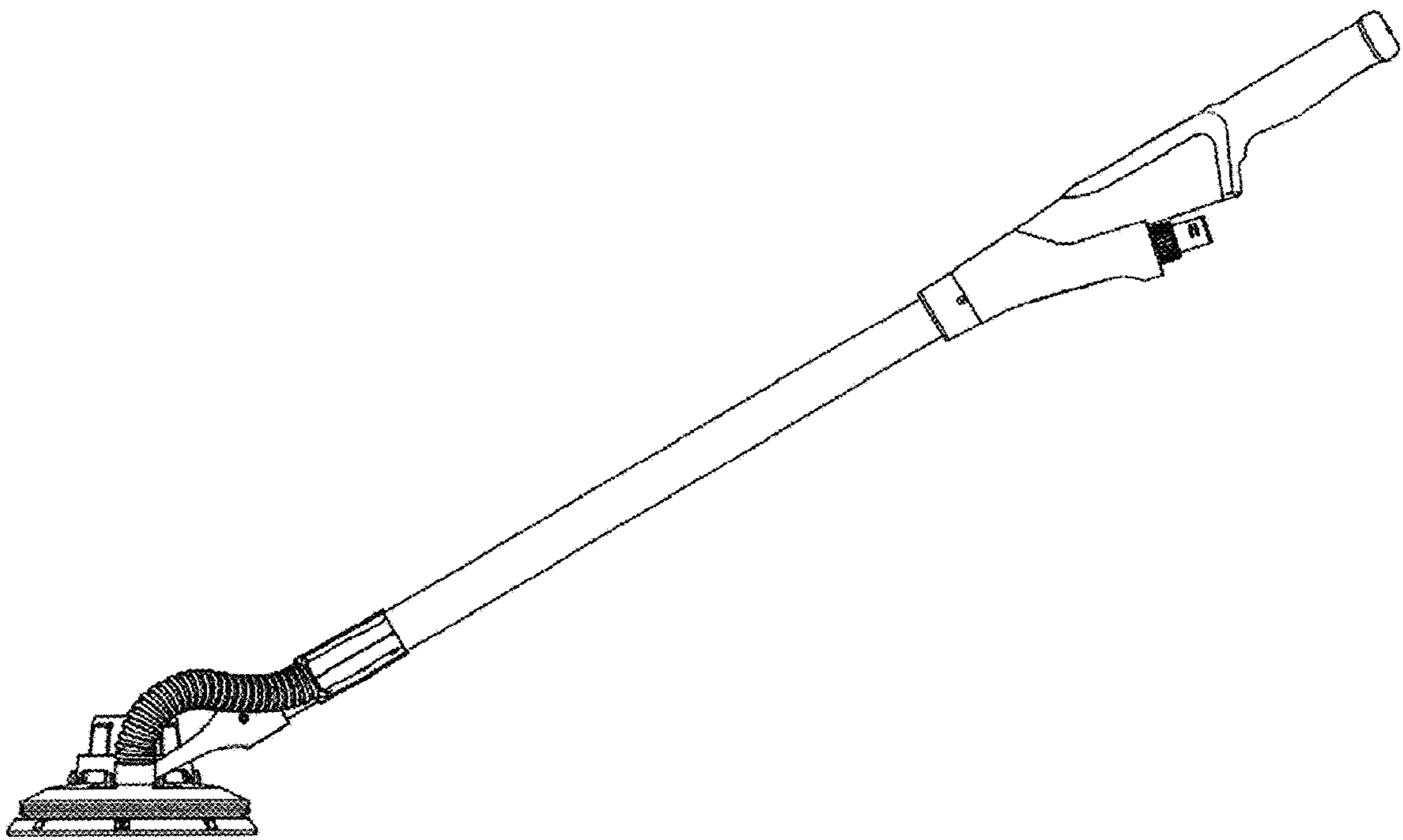


FIG. 5

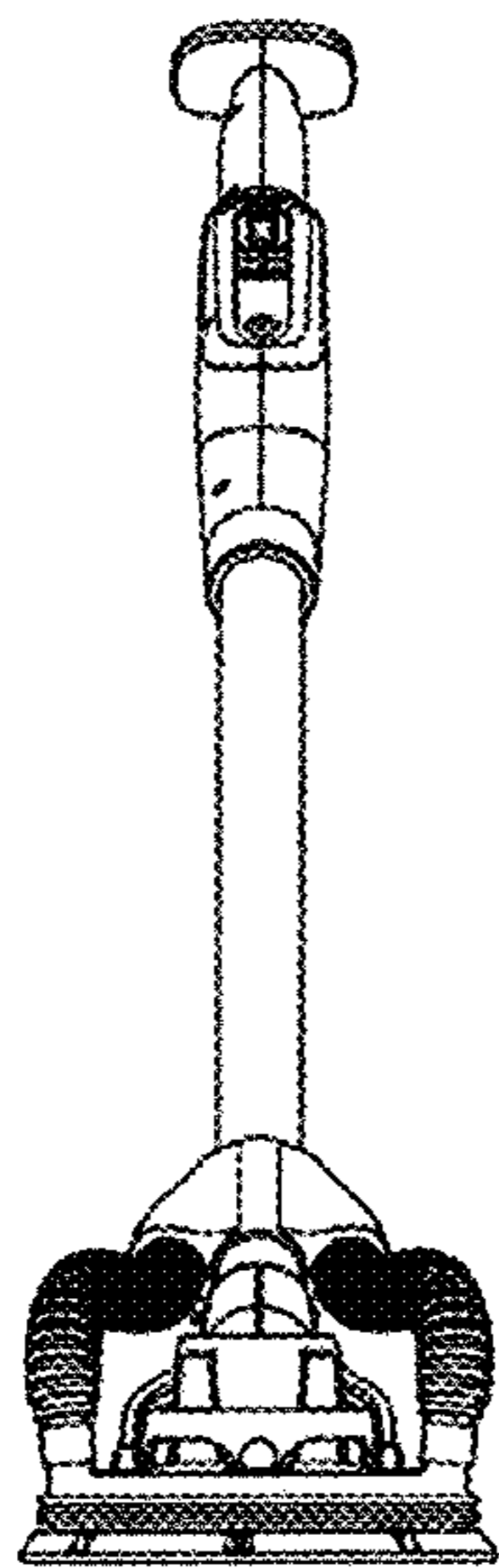


FIG. 6

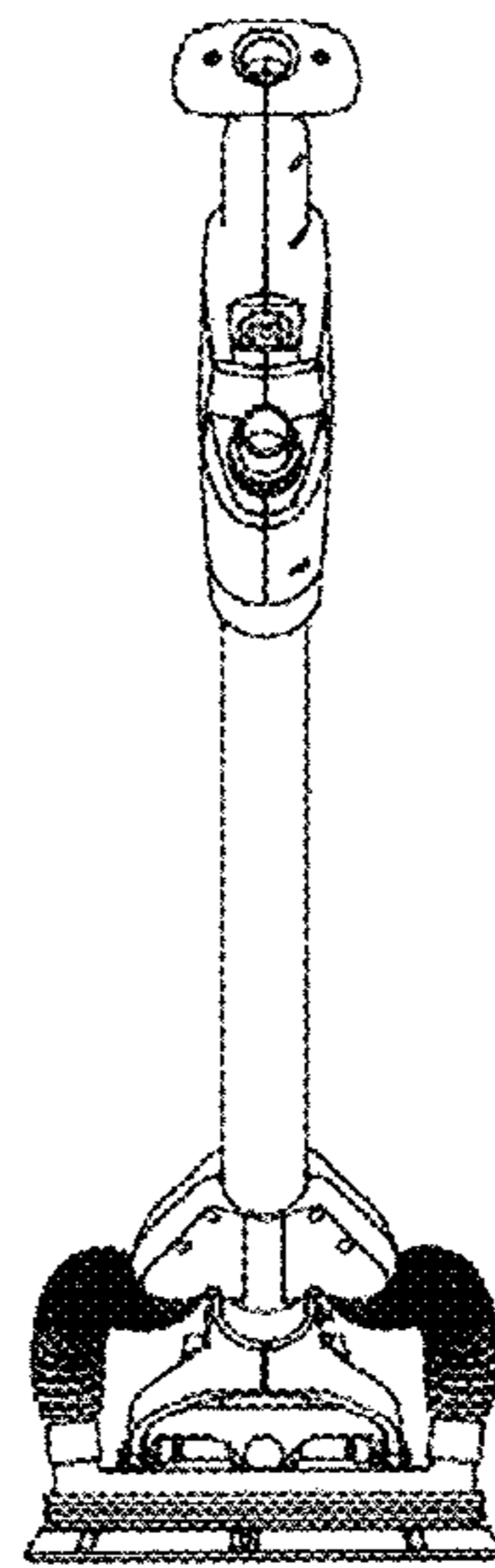


FIG. 7