



US00D802031S

(12) **United States Design Patent**  
**Yoon et al.**

(10) **Patent No.:** **US D802,031 S**  
(45) **Date of Patent:** **\*\* Nov. 7, 2017**

(54) **BASKET FOR REFRIGERATOR**

D735,251 S \* 7/2015 Jeon ..... D15/89  
D763,328 S \* 8/2016 Kim ..... D15/89  
D776,985 S \* 1/2017 Kim ..... D15/89  
D781,930 S \* 3/2017 Ward ..... D15/79

(71) Applicant: **SAMSUNG ELECTRONICS CO., LTD.**, Suwon-si (KR)

(72) Inventors: **Se-Lim Yoon**, Seongnam-si (KR);  
**Byeong-Soo Kim**, Seoul (KR); **Hyun-II Lee**, Seoul (KR); **Sang-Woon Jeon**, Seoul (KR)

FOREIGN PATENT DOCUMENTS

CN 2012303852927 12/2012  
CN 2015300298393 5/2015  
EM 002446591-0005 6/2014

(73) Assignee: **Samsung Electronics Co., Ltd.**, Suwon-si (KR)

\* cited by examiner

(\*\*) Term: **15 Years**

*Primary Examiner* — Ian Simmons

*Assistant Examiner* — Khawaja Anwar

(21) Appl. No.: **29/567,752**

(74) *Attorney, Agent, or Firm* — NSIP Law

(22) Filed: **Jun. 13, 2016**

(57) **CLAIM**

(30) **Foreign Application Priority Data**

We claim the ornamental design for a basket for refrigerator, as shown and described.

Dec. 23, 2015 (KR) ..... 30-2015-0065750

(51) **LOC (10) Cl.** ..... **15-07**

(52) **U.S. Cl.**  
USPC ..... **D15/89**

(58) **Field of Classification Search**

USPC ..... D15/79–91  
CPC ..... F25D 23/028; F25D 23/00; F25D 23/02;  
F25D 23/065; F25D 25/02; F25D 31/00;  
F25D 17/042; F25D 2201/12; F25D  
2201/14; F25D 2300/00; F25D  
2317/0417; F25D 2317/043; F25D  
2323/021; F25D 2327/00; F25D 23/006;  
F25D 23/061; F25D 23/062; F25D  
23/067; F25D 23/069; F25D 23/10; F25D  
2400/04; F25D 2400/40; F25D 25/024;  
F25D 25/025; F25D 2600/02; F25D  
27/00; F25D 27/005; F25D 29/006

See application file for complete search history.

**DESCRIPTION**

FIG. 1 is a front perspective view of a basket for refrigerator showing our new design;  
FIG. 2 is a front view thereof;  
FIG. 3 is a rear view thereof;  
FIG. 4 is a left-side view thereof;  
FIG. 5 is a right-side view thereof;  
FIG. 6 is a top plan view thereof;  
FIG. 7 is a bottom plan view thereof;  
FIG. 8 is a perspective view of the basket for refrigerator shown in an alternate position;  
FIG. 9 is an enlarged view of the encircled portion in FIG. 1; and,  
FIG. 10 is an enlarged view of the encircled portion in FIG. 1.

The broken lines in the figures depict environmental subject matter and form no part of the claimed design.

The dot-dash broken lines encircling portions of the claimed design that are illustrated in enlargements form no part of the claimed design.

(56) **References Cited**

U.S. PATENT DOCUMENTS

D522,542 S 6/2006 Czach et al.  
D699,271 S 2/2014 Hottmann et al.

**1 Claim, 9 Drawing Sheets**

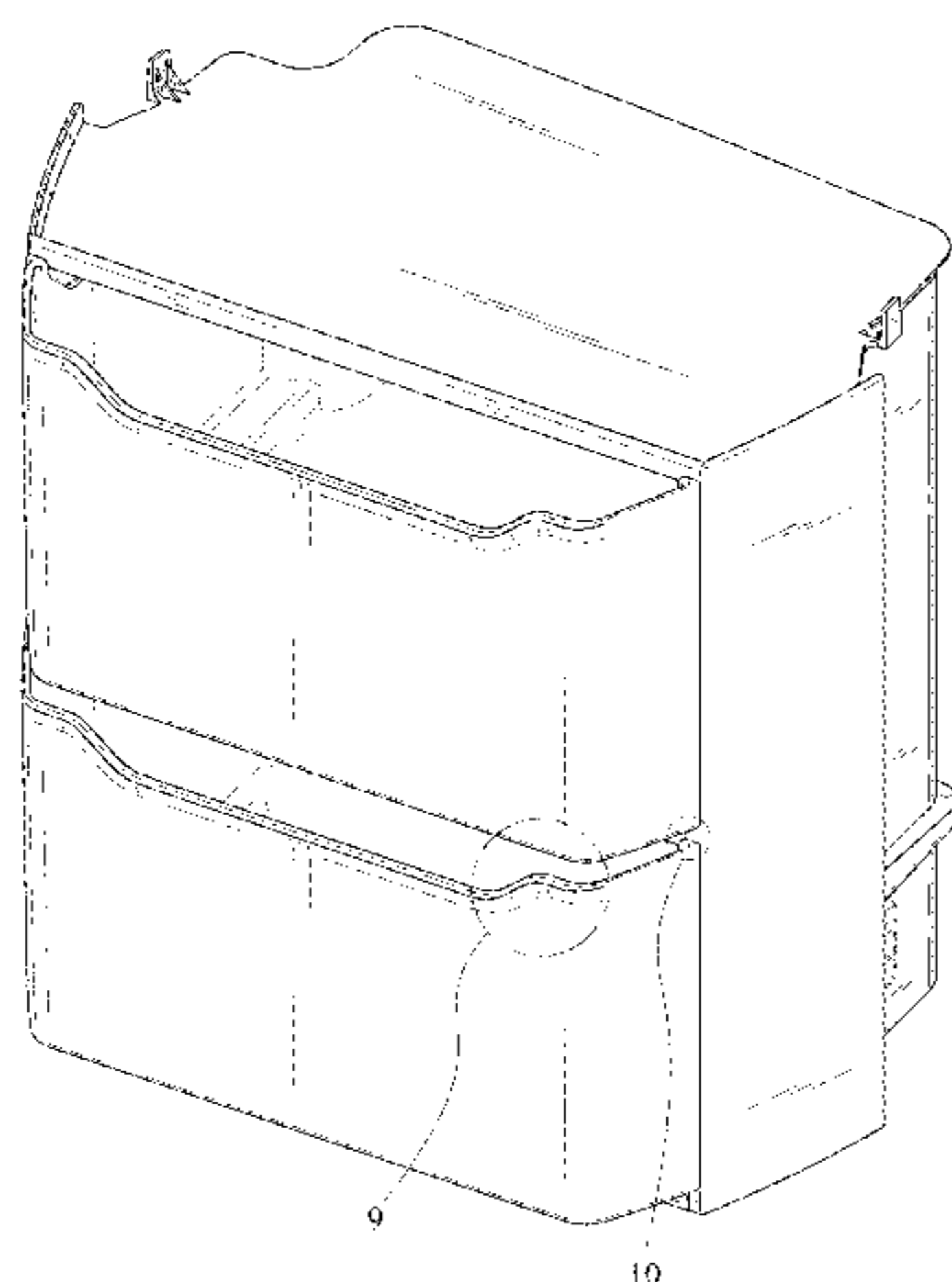


FIG. 1

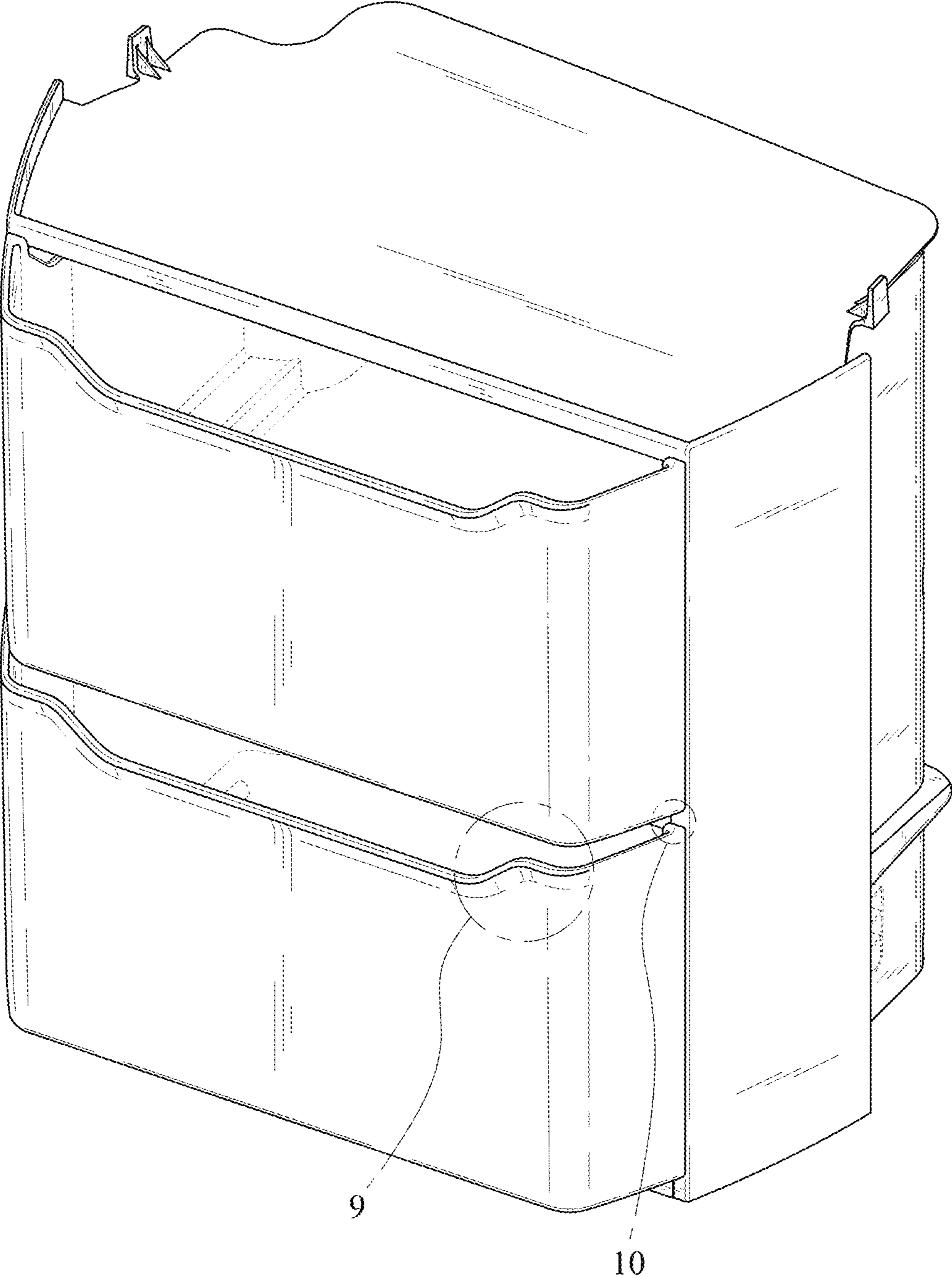


FIG. 2

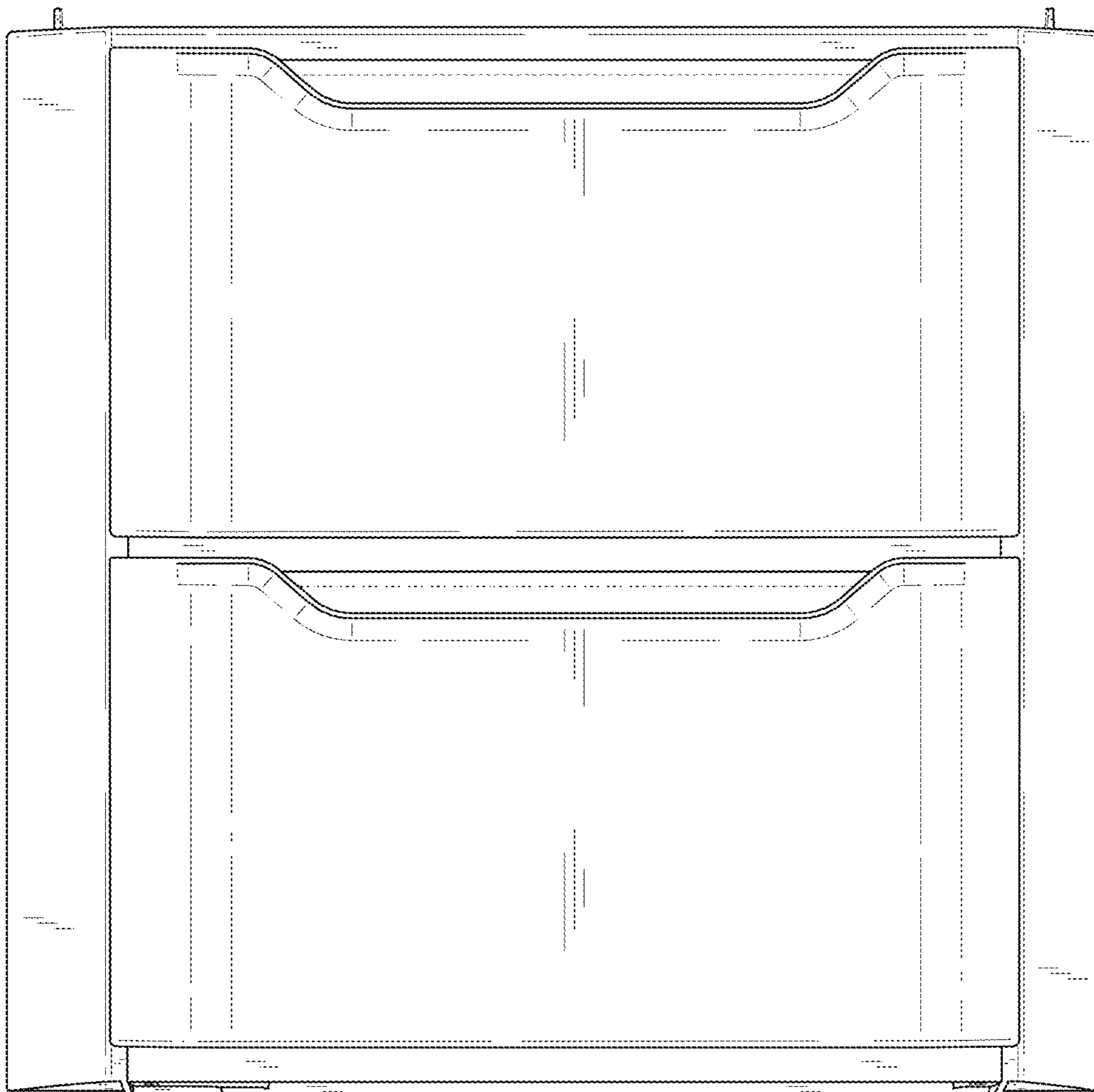


FIG. 3

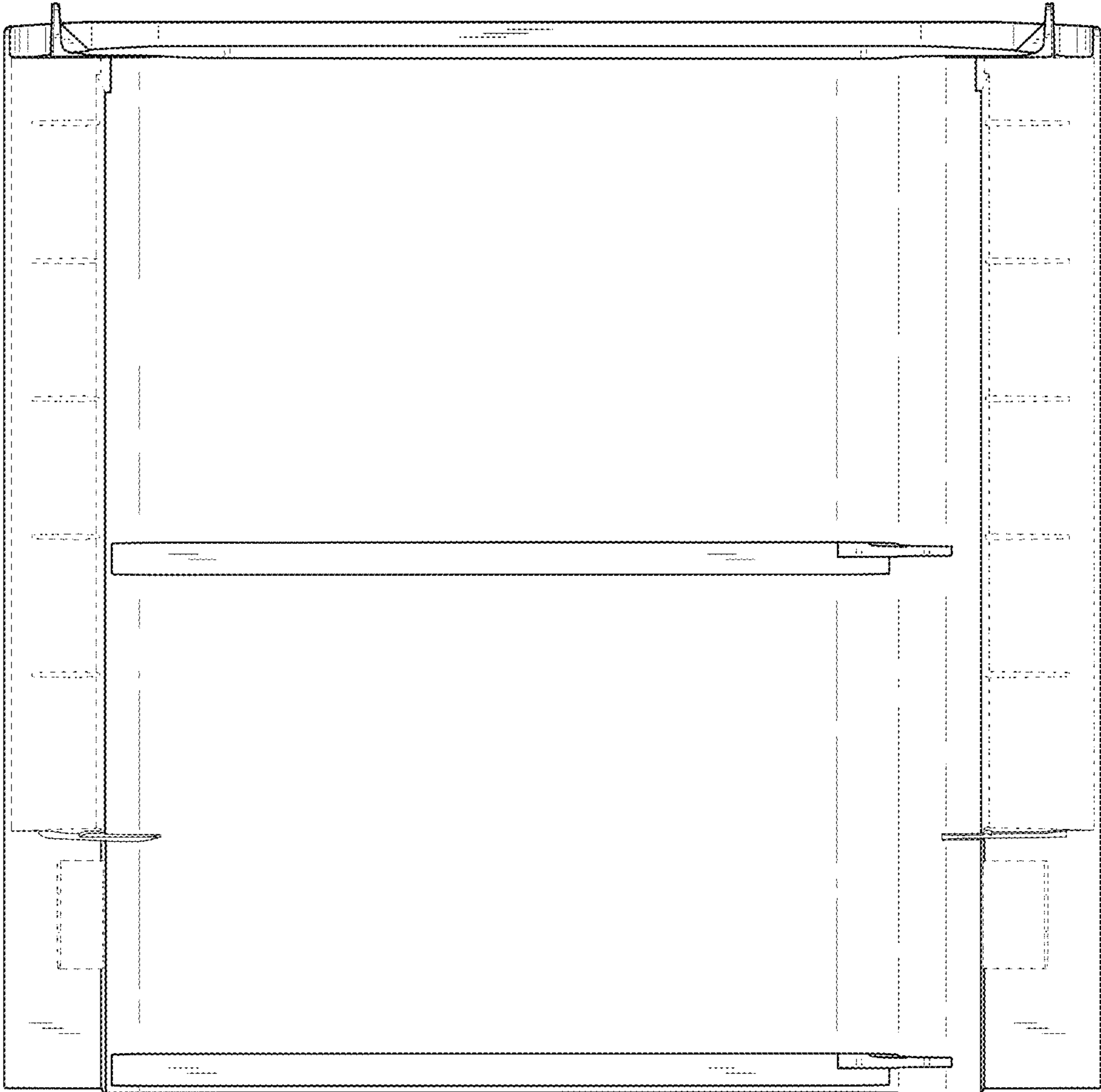


FIG. 4

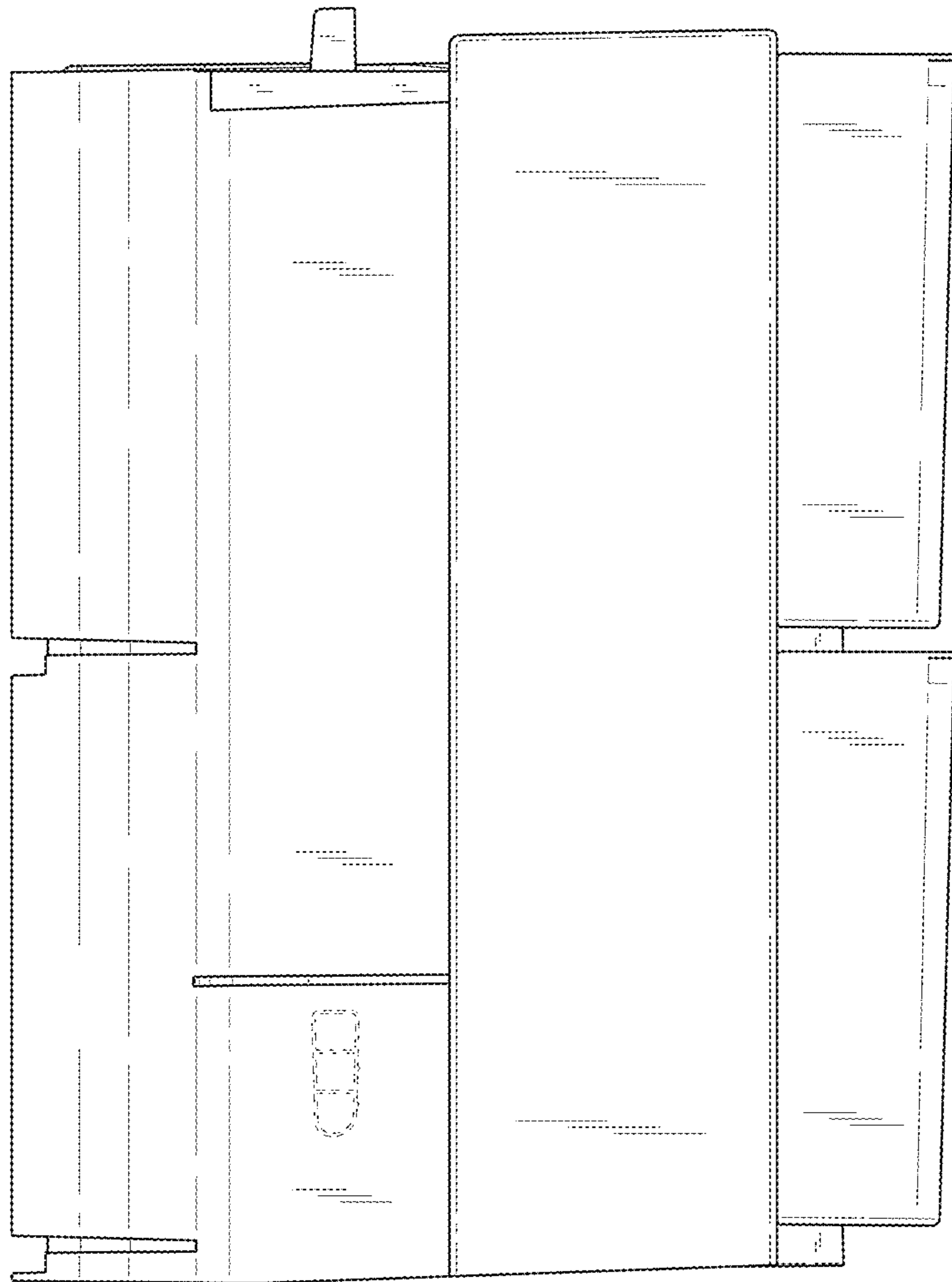


FIG. 5

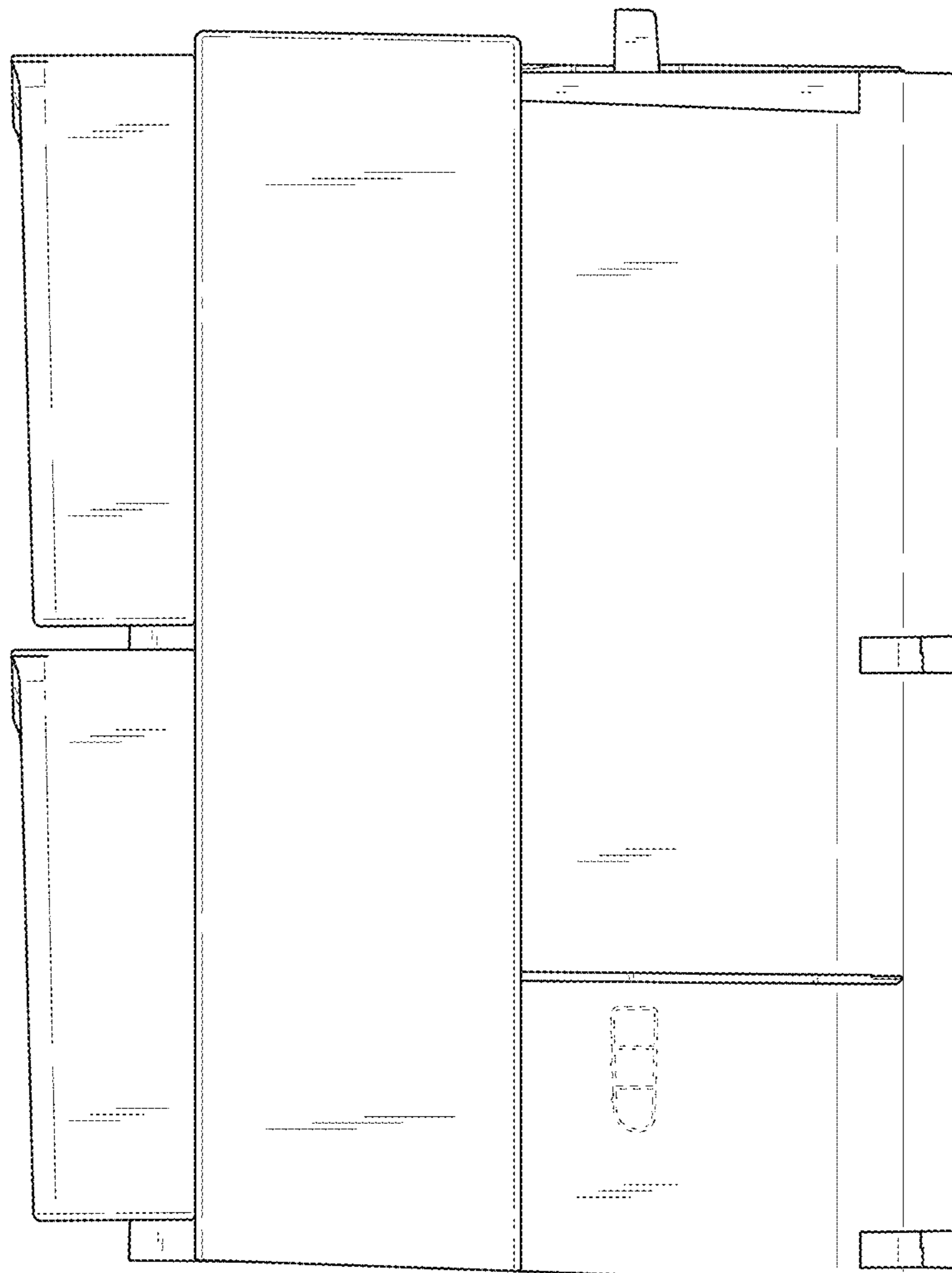


FIG. 6

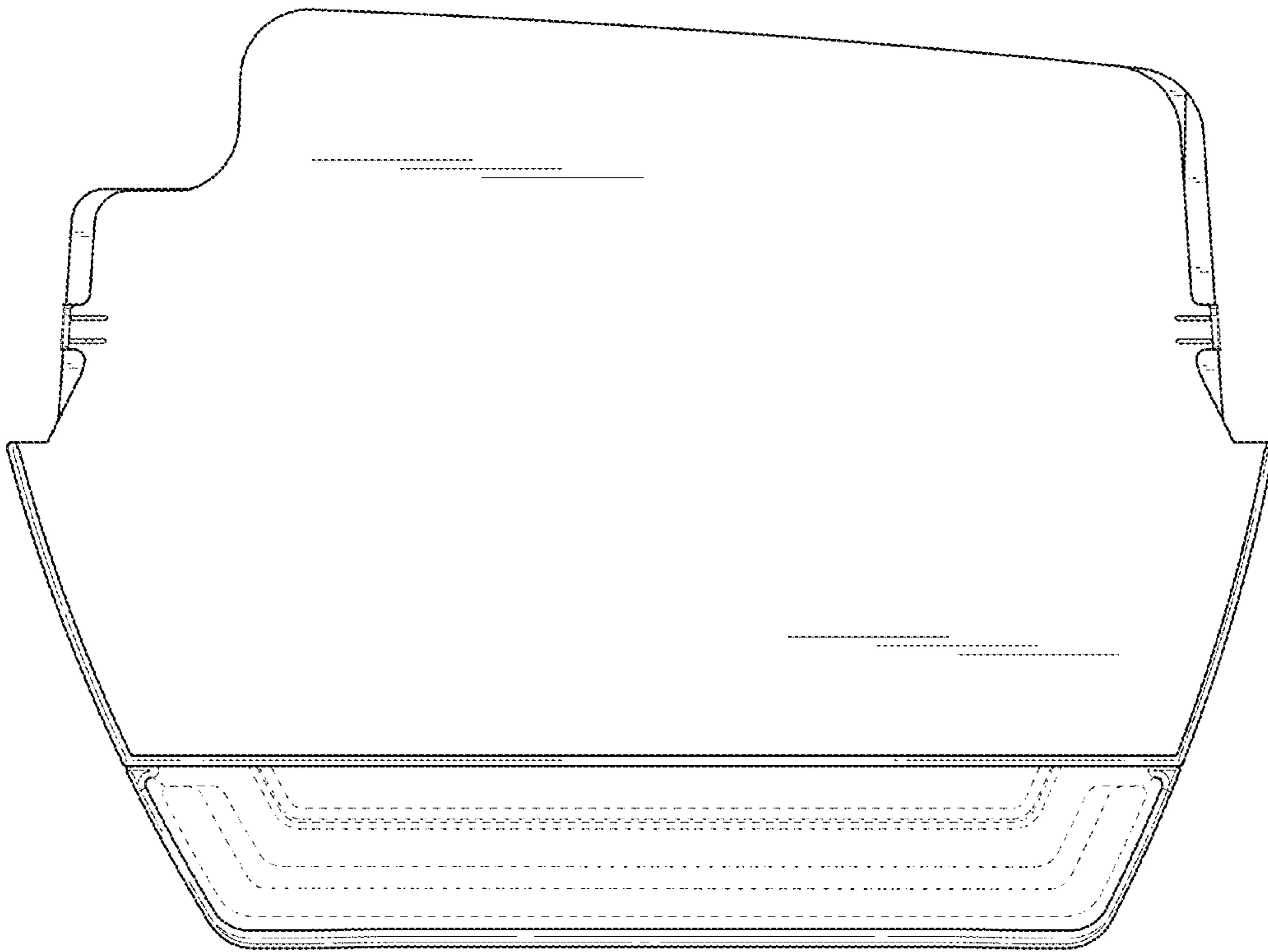


FIG. 7

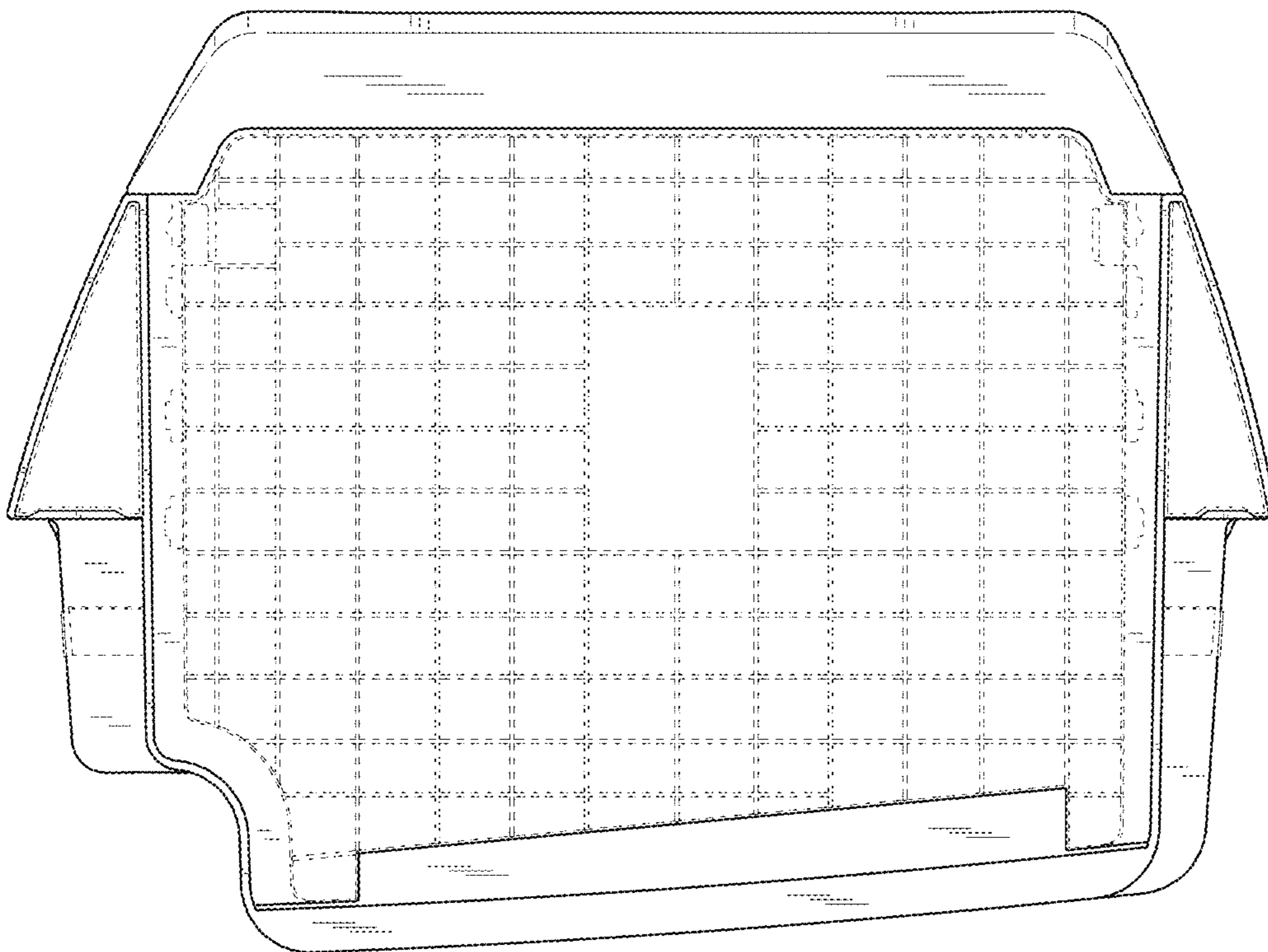




FIG. 8

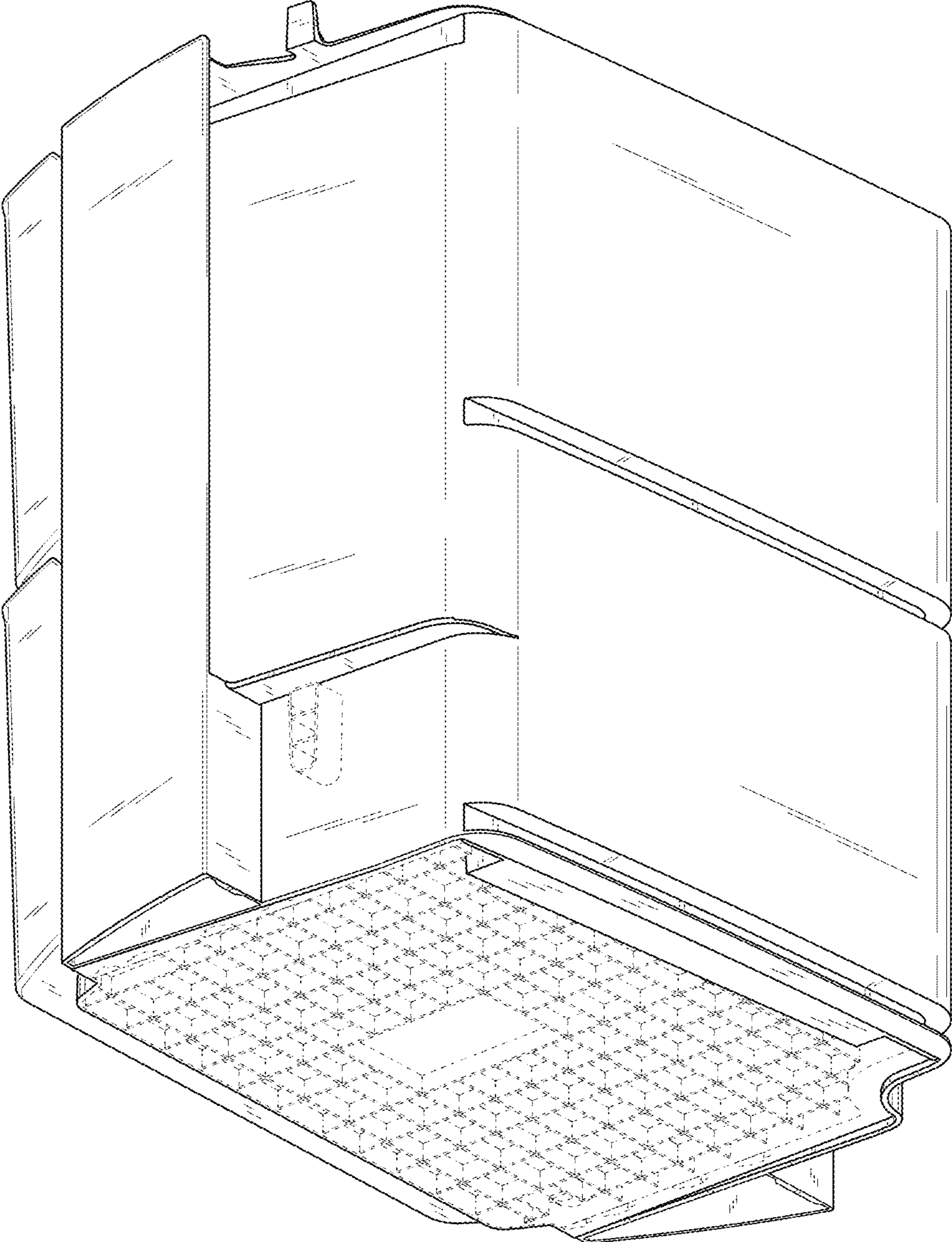


FIG. 9

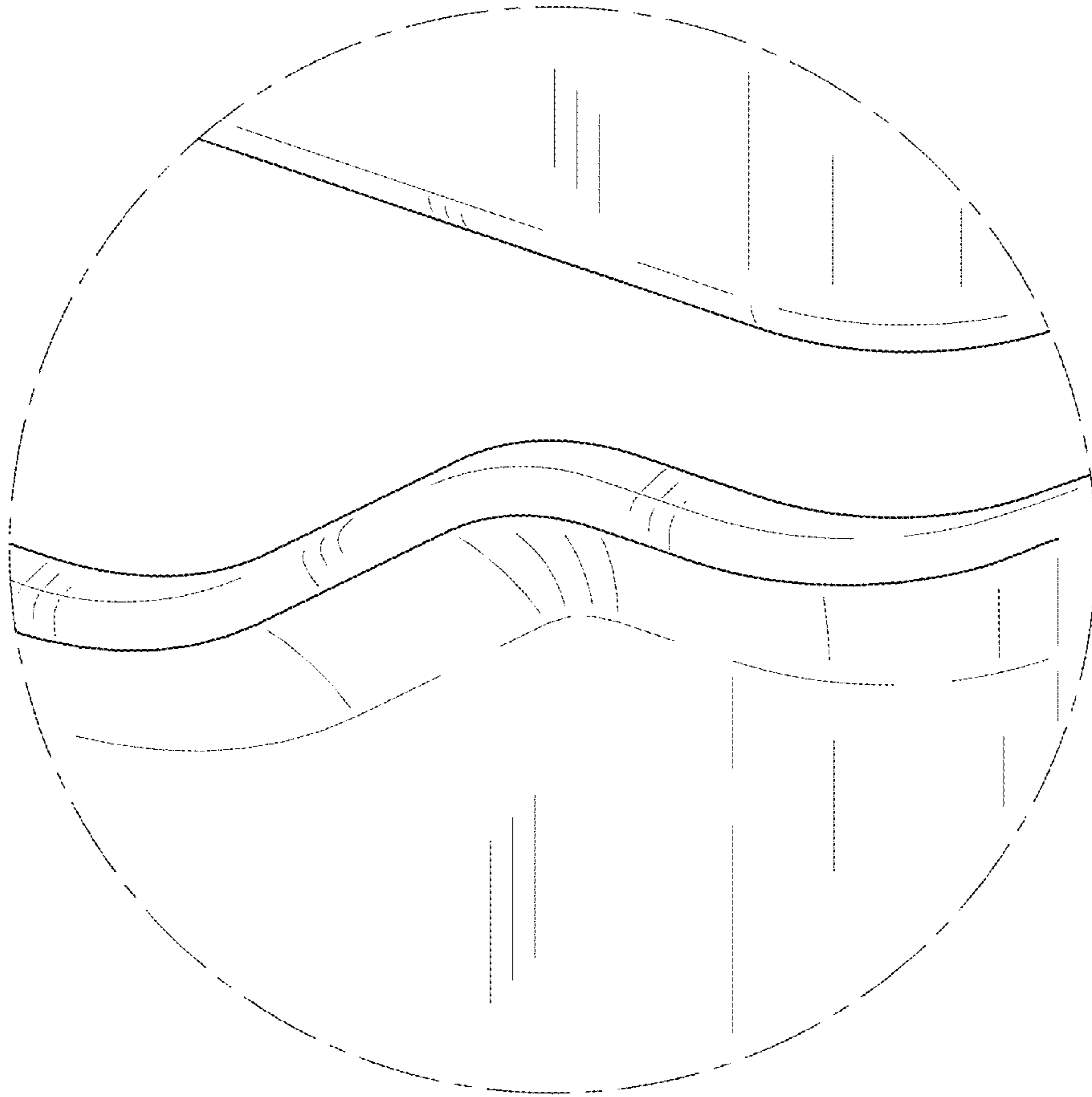


FIG. 10

