



US00D802028S

(12) **United States Design Patent**
Li

(10) **Patent No.:** **US D802,028 S**
(45) **Date of Patent:** **** Nov. 7, 2017**

(54) **PORTABLE REFRIGERATOR**

(71) Applicant: **Mobicool Electronic (Zhuhai) Co., Ltd.**, Zhuhai (CN)

(72) Inventor: **Tat Wah Li**, Hunghom (HK)

(73) Assignee: **Mobicool Electronic (Zhuhai) Co., Ltd.**, Zhuhai (CN)

(**) Term: **15 Years**

(21) Appl. No.: **29/564,037**

(22) Filed: **May 10, 2016**

(30) **Foreign Application Priority Data**

Nov. 12, 2015 (CN) 2015 3 0449950

(51) **LOC (10) Cl.** **15-07**

(52) **U.S. Cl.**
USPC **D15/81**

(58) **Field of Classification Search**

USPC D15/79-91
CPC .. F25B 21/02; F25B 1/08; F25B 21/04; F25B 2339/046; F25B 2339/047; F25B 2341/00; F25B 2341/0011; F25B 2341/0012; F25B 2341/0013; F25B 2341/0014; F25B

(Continued)

(56) **References Cited**

U.S. PATENT DOCUMENTS

3,073,126 A 1/1963 Staebler
3,123,986 A 3/1964 Lukas et al.
(Continued)

FOREIGN PATENT DOCUMENTS

WO 2011074005 6/2011

OTHER PUBLICATIONS

Transmittal Letter of Related Cases.

(Continued)

Primary Examiner — Ian Simmons

Assistant Examiner — Khawaja Anwar

(74) *Attorney, Agent, or Firm* — Middleton Reutlinger

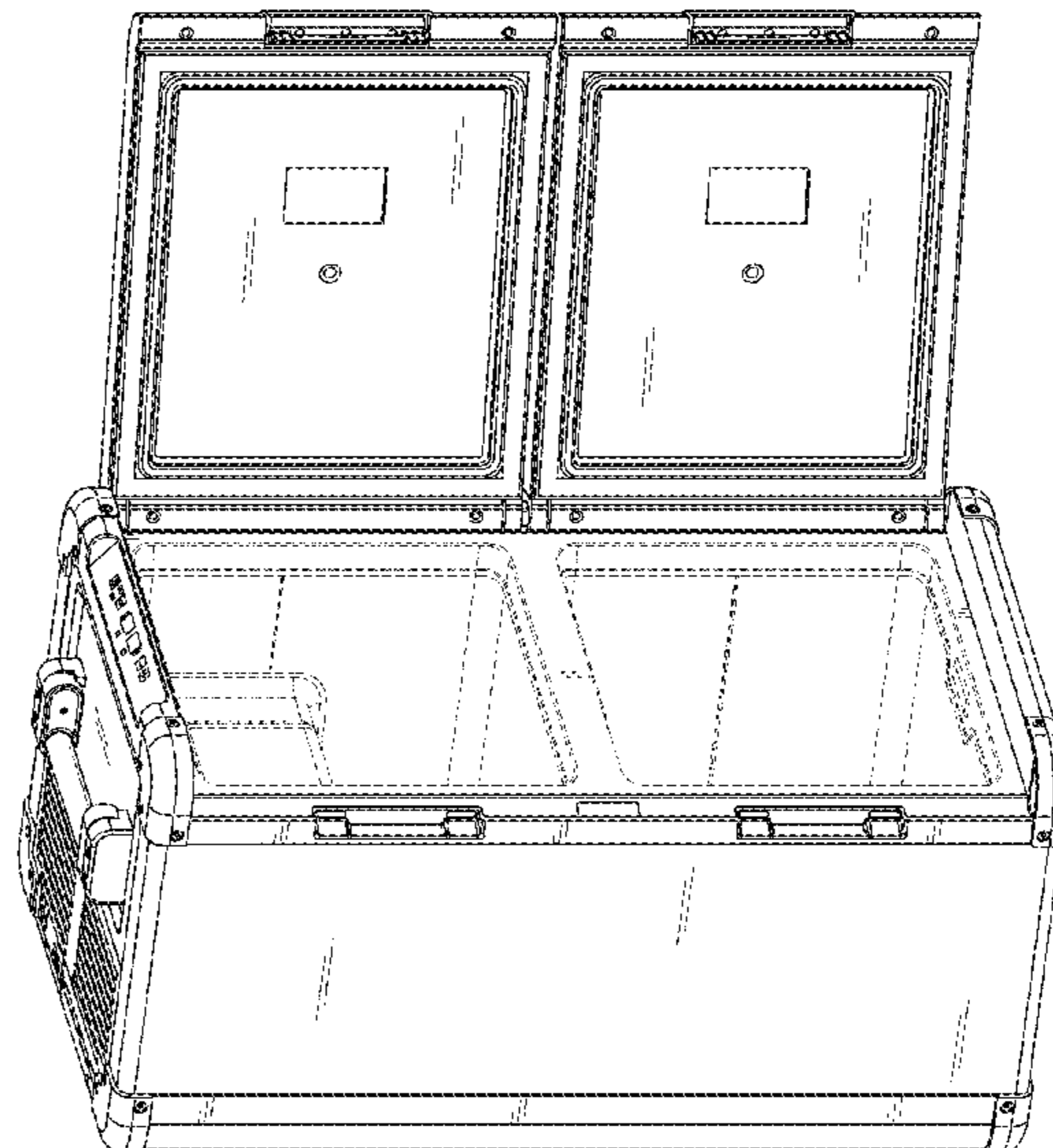
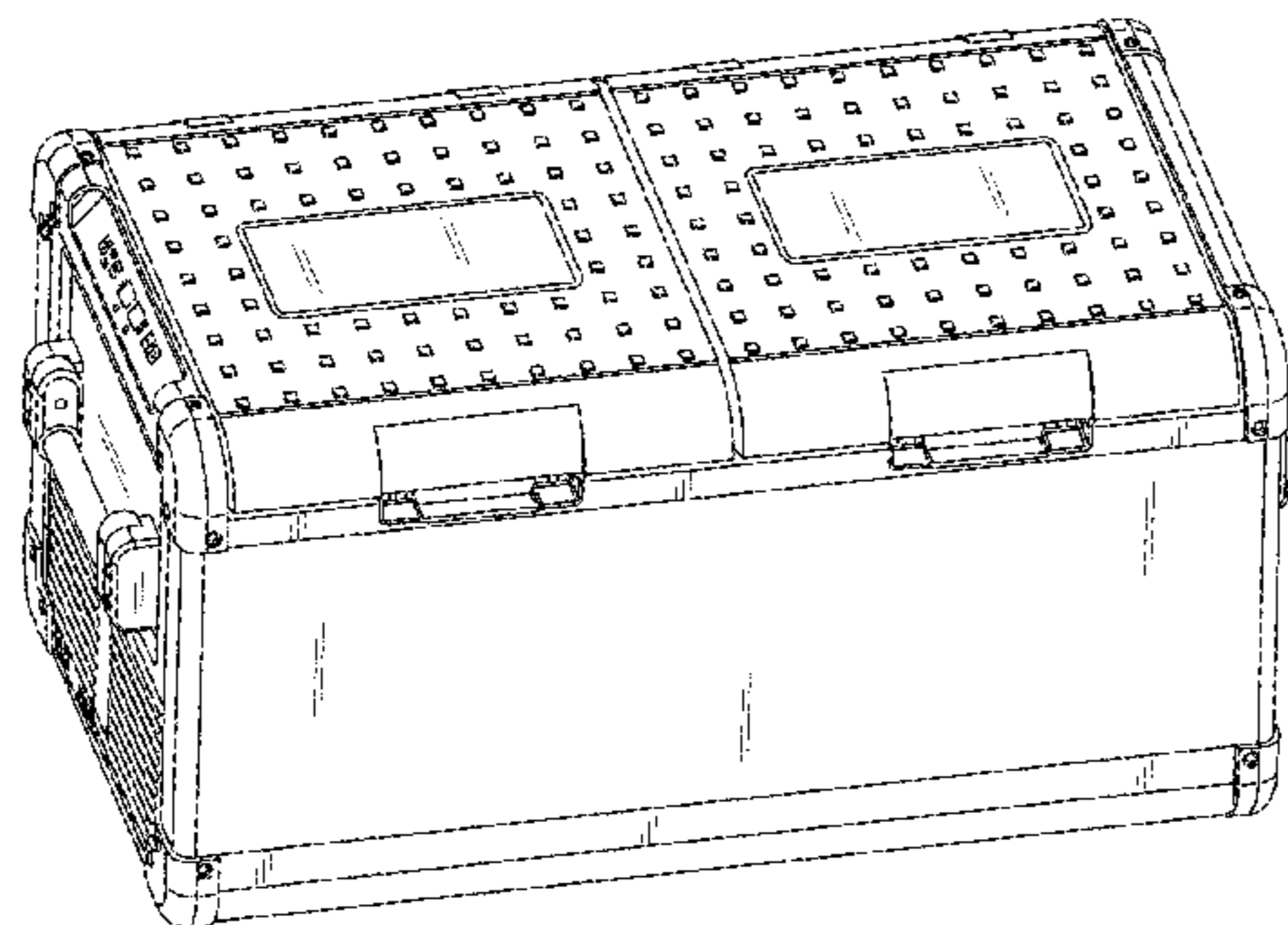
(57) **CLAIM**

The ornamental design for a portable refrigerator, as shown and described.

DESCRIPTION

FIG. 1 is a front view of a design of the portable refrigerator; FIG. 2 is a rear view of the design of FIG. 1; FIG. 3 is a left side elevation view of the design of FIG. 1; FIG. 4 is a right side elevation view of the design of FIG. 1; FIG. 5 is a top plan view of the design of FIG. 1; FIG. 6 is a bottom plan view of the design of FIG. 1; FIG. 7 is an upper perspective view of the design of FIG. 1; FIG. 8 is a front view of the first embodiment of the design of FIG. 1 with the doors shown in an open position; FIG. 9 is a rear view of the design of FIG. 1 with the doors shown in an open position; FIG. 10 is a right side elevation view of the design of FIG. 1 with the doors shown in an open position; FIG. 11 is a left side elevation view of the design of FIG. 1 with the doors shown in an open position; FIG. 12 is a top plan view of the design of FIG. 1 with the doors shown in an open position; FIG. 13 is a bottom plan view of the design of FIG. 1 with the doors shown in an open position; and, FIG. 14 is an upper perspective view of the design of FIG. 1 with the doors shown in an open position. The broken lines are included for the purpose of illustrating portions of the portable refrigerator that form no part of the claimed design.

1 Claim, 8 Drawing Sheets



(58) **Field of Classification Search**
 CPC 2600/023; F25B 2600/027; F25B 39/04;
 F25B 49/02; F25B 49/022
 See application file for complete search history.

(56) **References Cited**

U.S. PATENT DOCUMENTS

3,166,912	A	1/1965	Patrick	
3,850,006	A	11/1974	Redfern et al.	
4,565,072	A	1/1986	Fujiwara et al.	
4,637,222	A	1/1987	Fujiwara et al.	
4,658,596	A	4/1987	Kuwahara	
4,944,156	A	7/1990	Yamamoto	
5,237,832	A	8/1993	Alston	
5,407,218	A	4/1995	Jackson	
5,676,296	A	10/1997	Masters	
5,860,281	A	1/1999	Coffee et al.	
6,474,097	B2	11/2002	Treppedi et al.	
D521,535	S *	5/2006	Resch	D15/83
7,143,601	B1	12/2006	Jimenez	
D548,249	S *	8/2007	Okamoto	D15/84
D558,239	S *	12/2007	Takemoto	D15/79
7,415,794	B1	8/2008	Thompson	
7,913,849	B2	3/2011	Pedrazzi et al.	
8,082,752	B2	12/2011	Liu et al.	
D660,885	S *	5/2012	Crawford	D15/83
8,215,123	B2	7/2012	Agarwal	

8,312,816	B2	11/2012	Vaccarella	
8,393,173	B2	3/2013	Choi et al.	
9,163,871	B1	10/2015	Costello	
9,220,250	B1	12/2015	Davis, Sr.	
9,232,290	B2	1/2016	Besay	
D749,653	S *	2/2016	Carnes	D15/89
D750,140	S *	2/2016	Cross	D15/81
9,320,938	B1	4/2016	Belmore	
D762,743	S *	8/2016	Fan	D15/81
2010/0212335	A1	8/2010	Lukitobudi	
2011/0197610	A1	8/2011	Debesa	
2011/0226785	A1	9/2011	Sakell	
2015/0008242	A1	1/2015	Kpabar, Jr.	
2015/0021106	A1	1/2015	LaRosa	
2015/0114024	A1	4/2015	Grepper	
2015/0241107	A1	8/2015	Mech	

OTHER PUBLICATIONS

English Translation of Chinese Patent Application 201530449950.8
 filed Nov. 12, 2015.
 Dometic; Dometic RV Refrigeration, p. 24 from Dometic Full Line
 Catalog Jan. 1, 2015.
 BATTERYSAVERS.COM; Tent Air Conditioner for camping by
 Kool Aire, <http://www.batterysavers.com/tent-air-conditioner.html>
 Jan. 3, 2014.

* cited by examiner

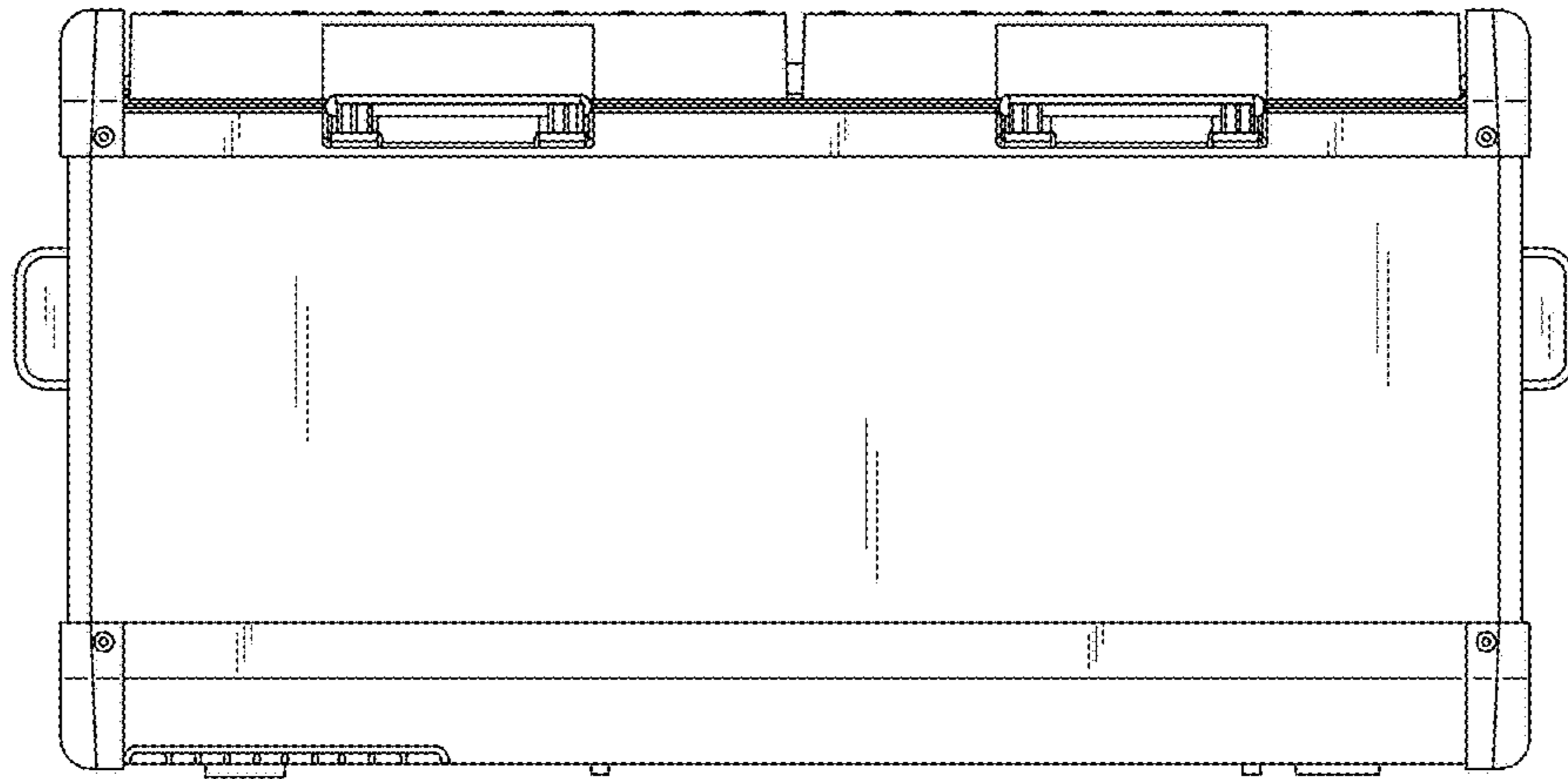


FIG. 1

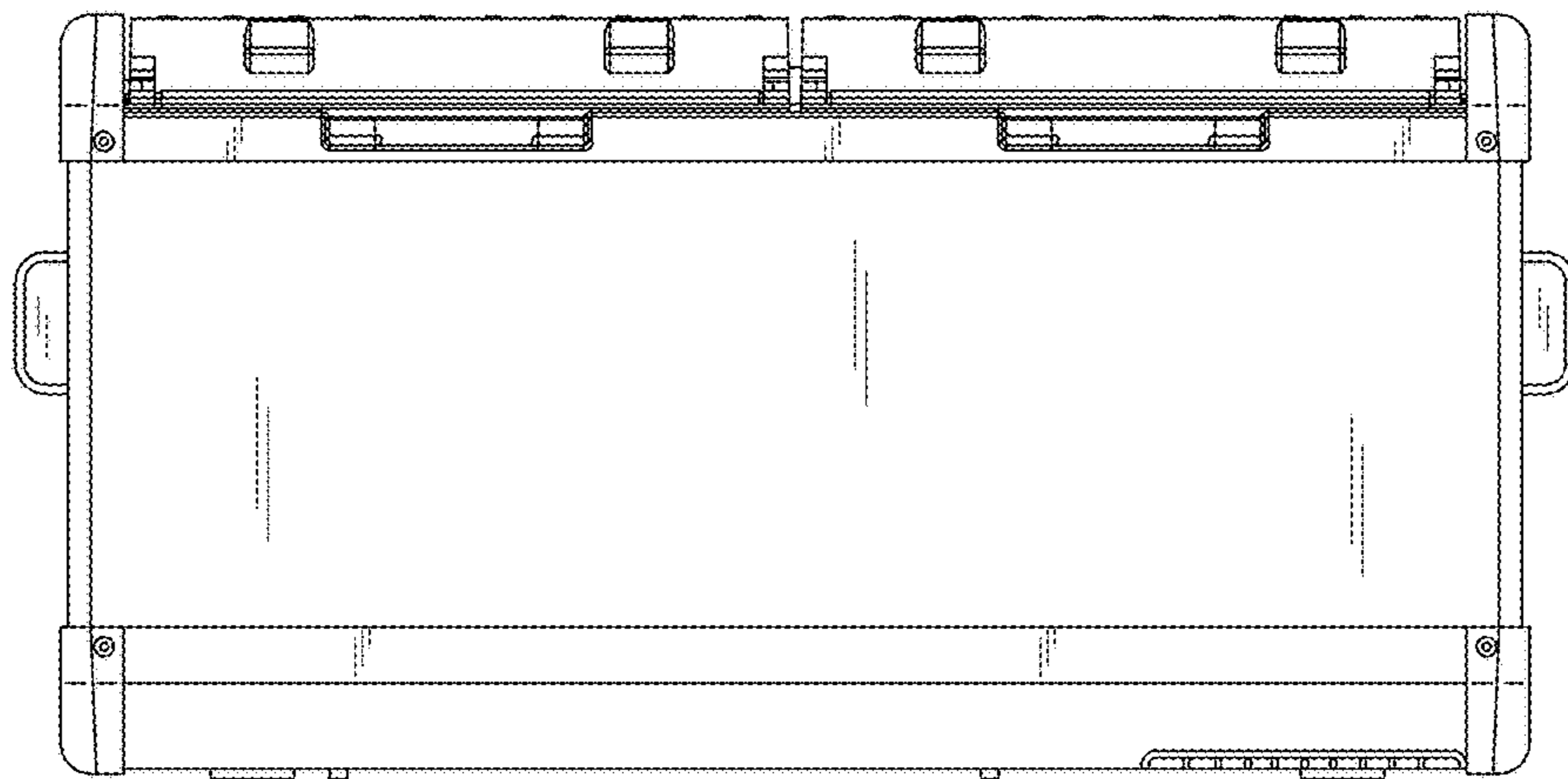


FIG. 2

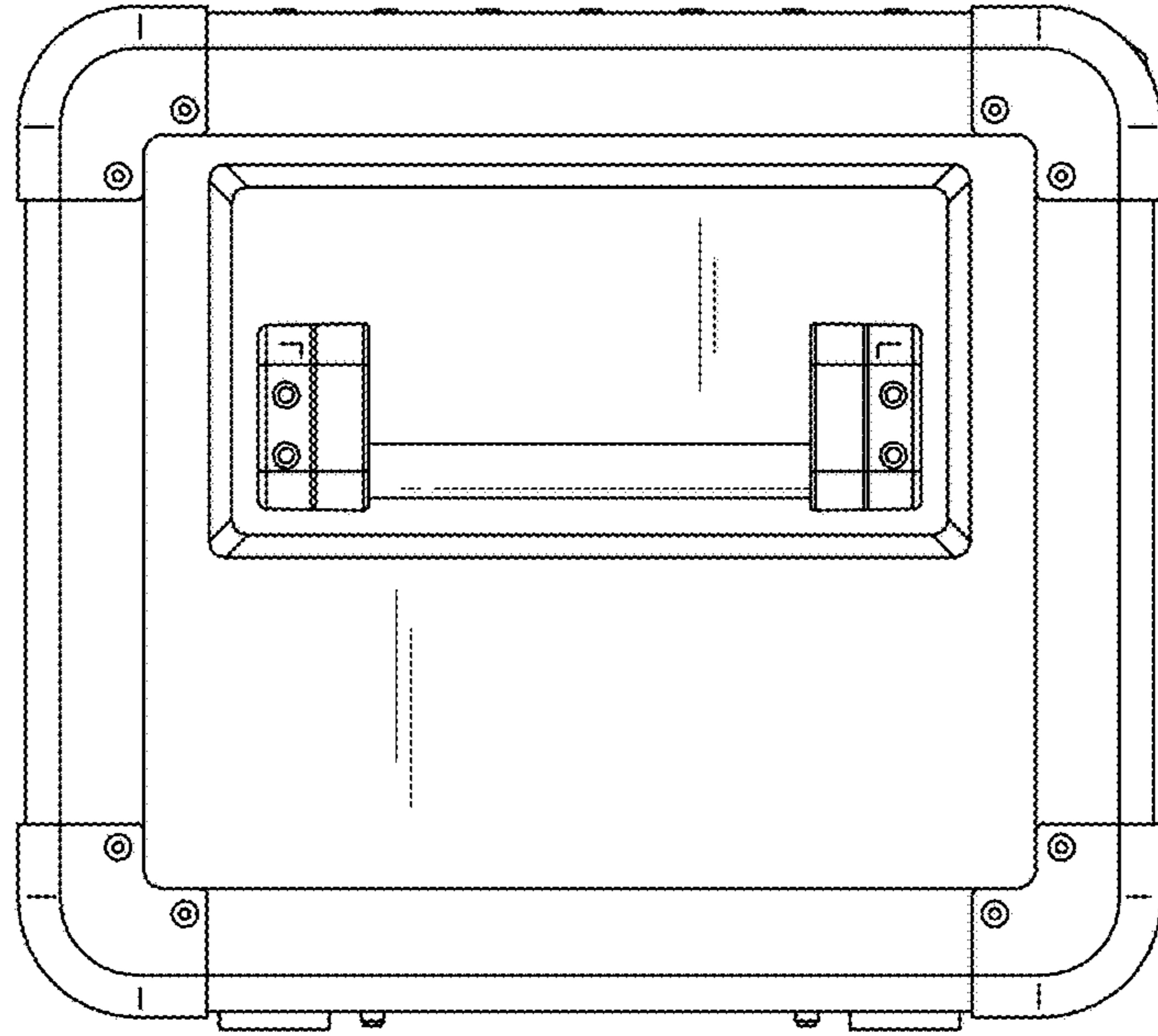


FIG. 3

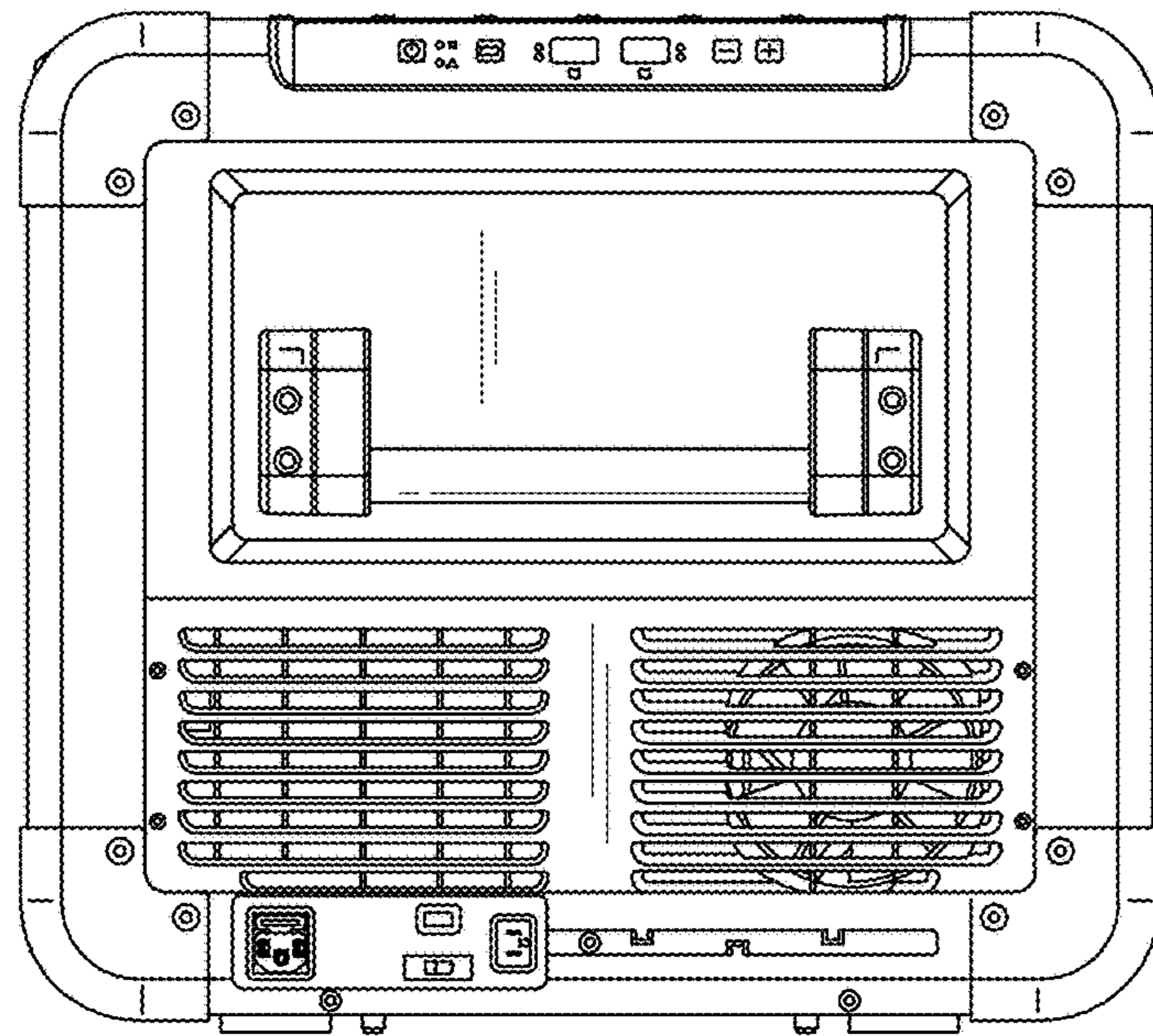


FIG. 4

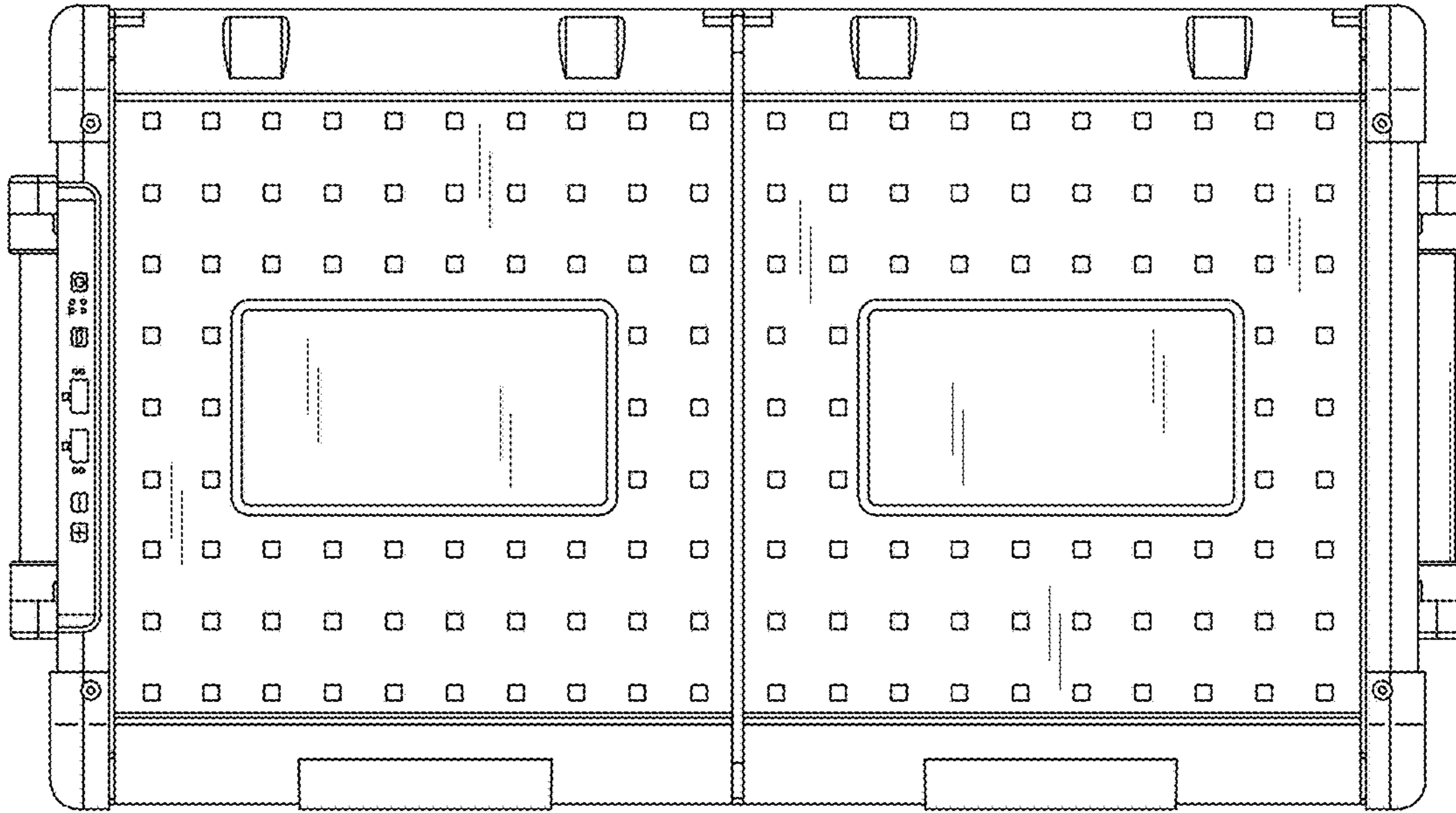


FIG. 5

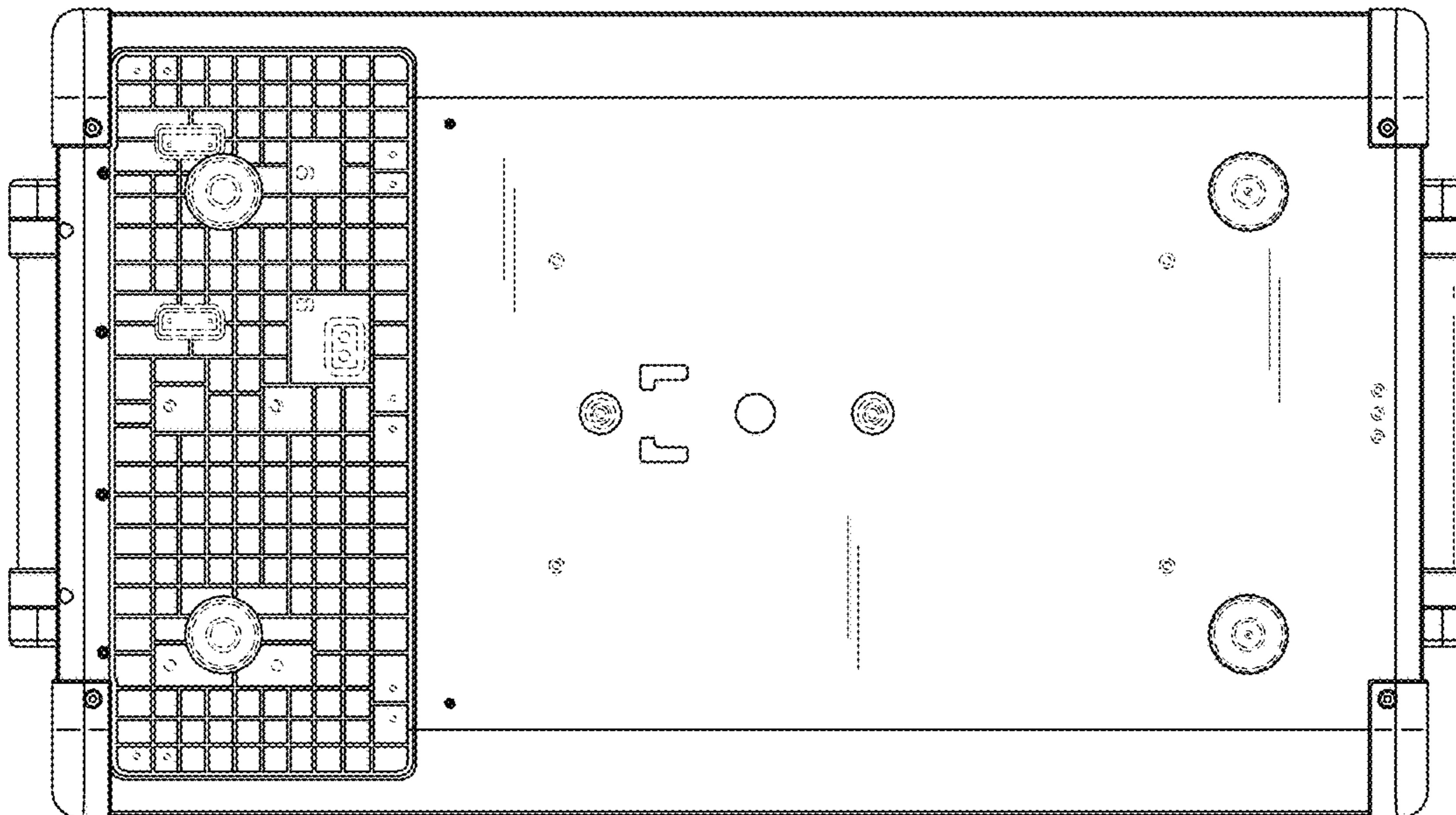


FIG. 6

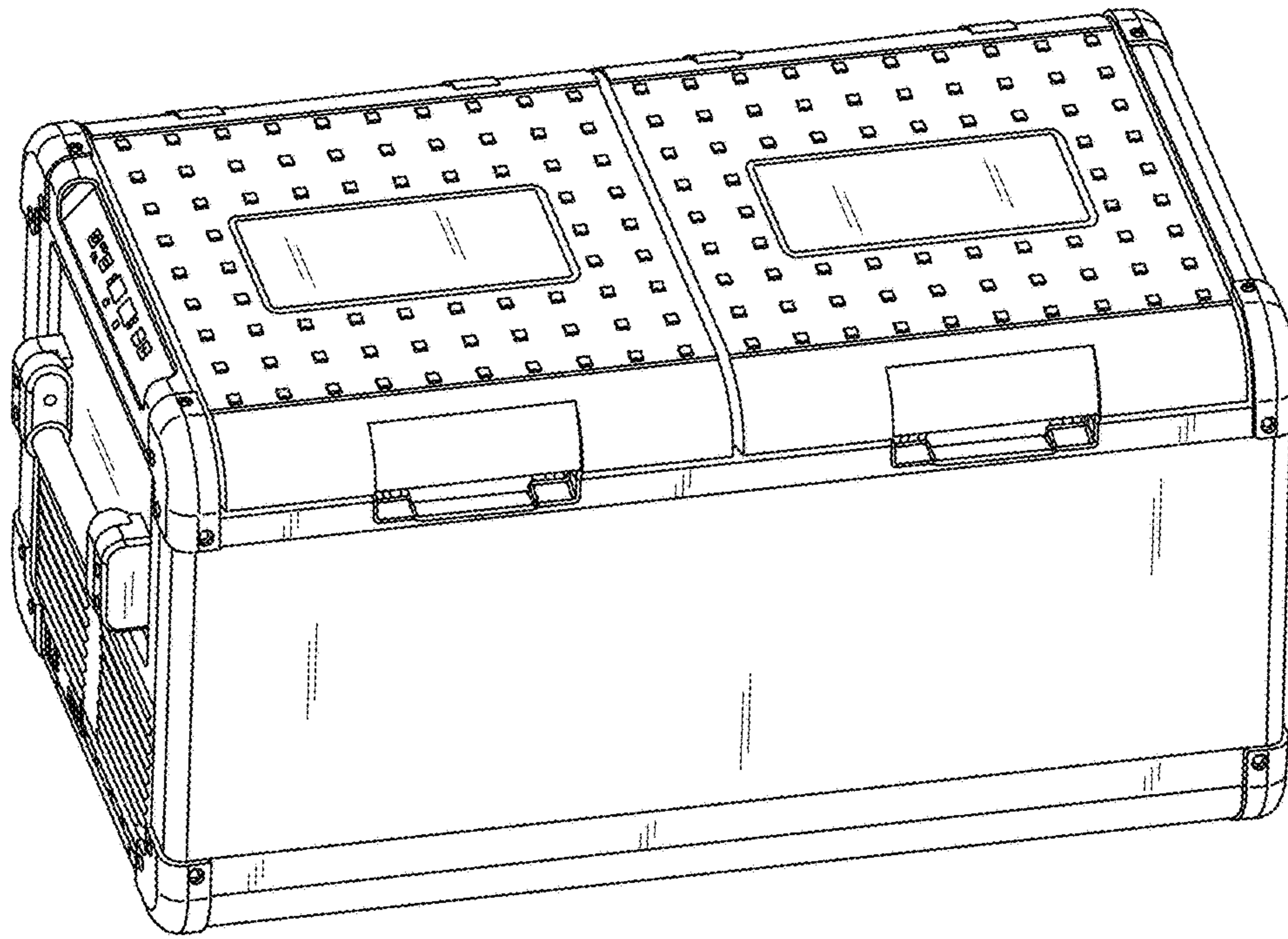


FIG. 7

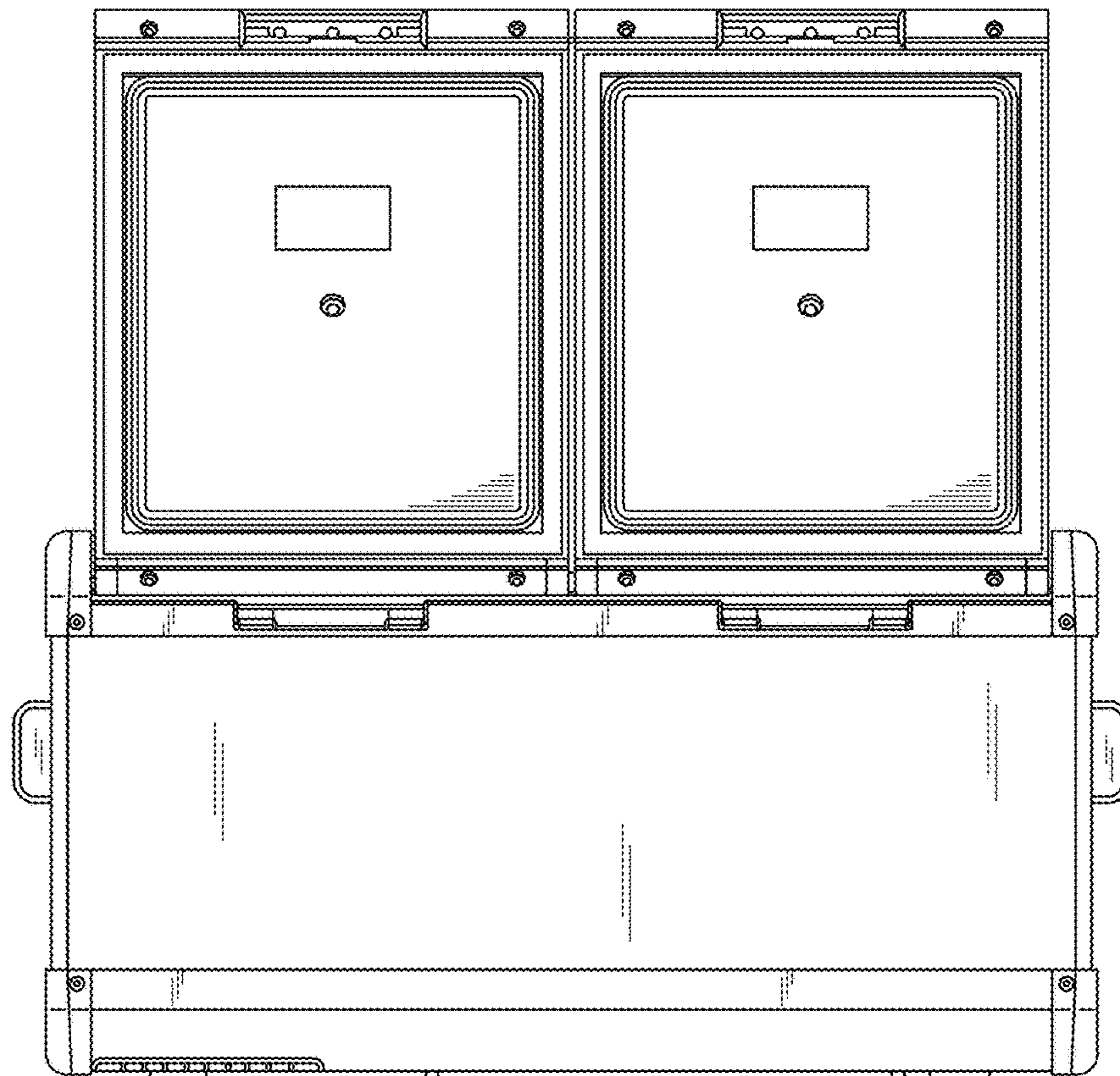


FIG. 8

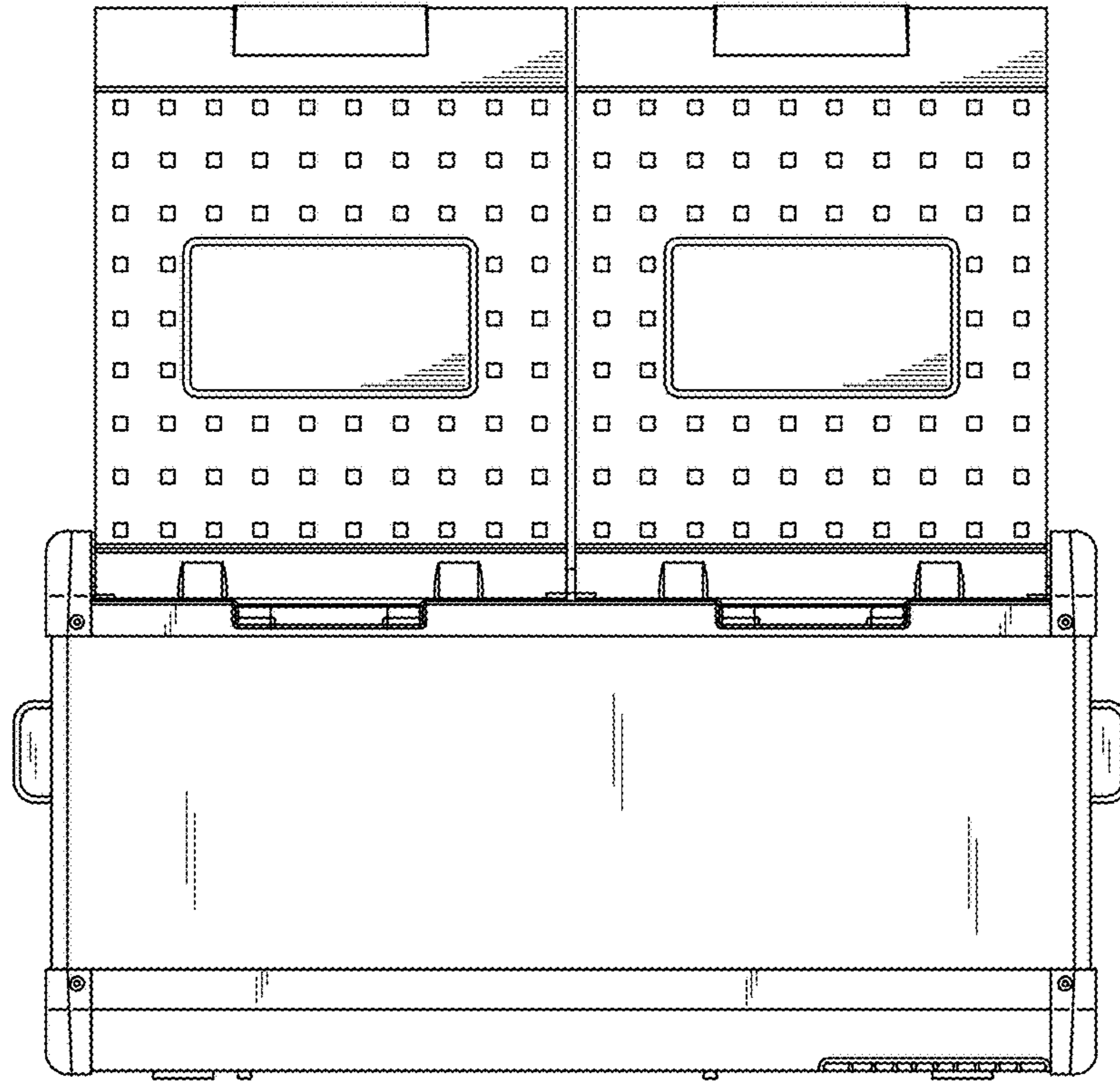


FIG. 9

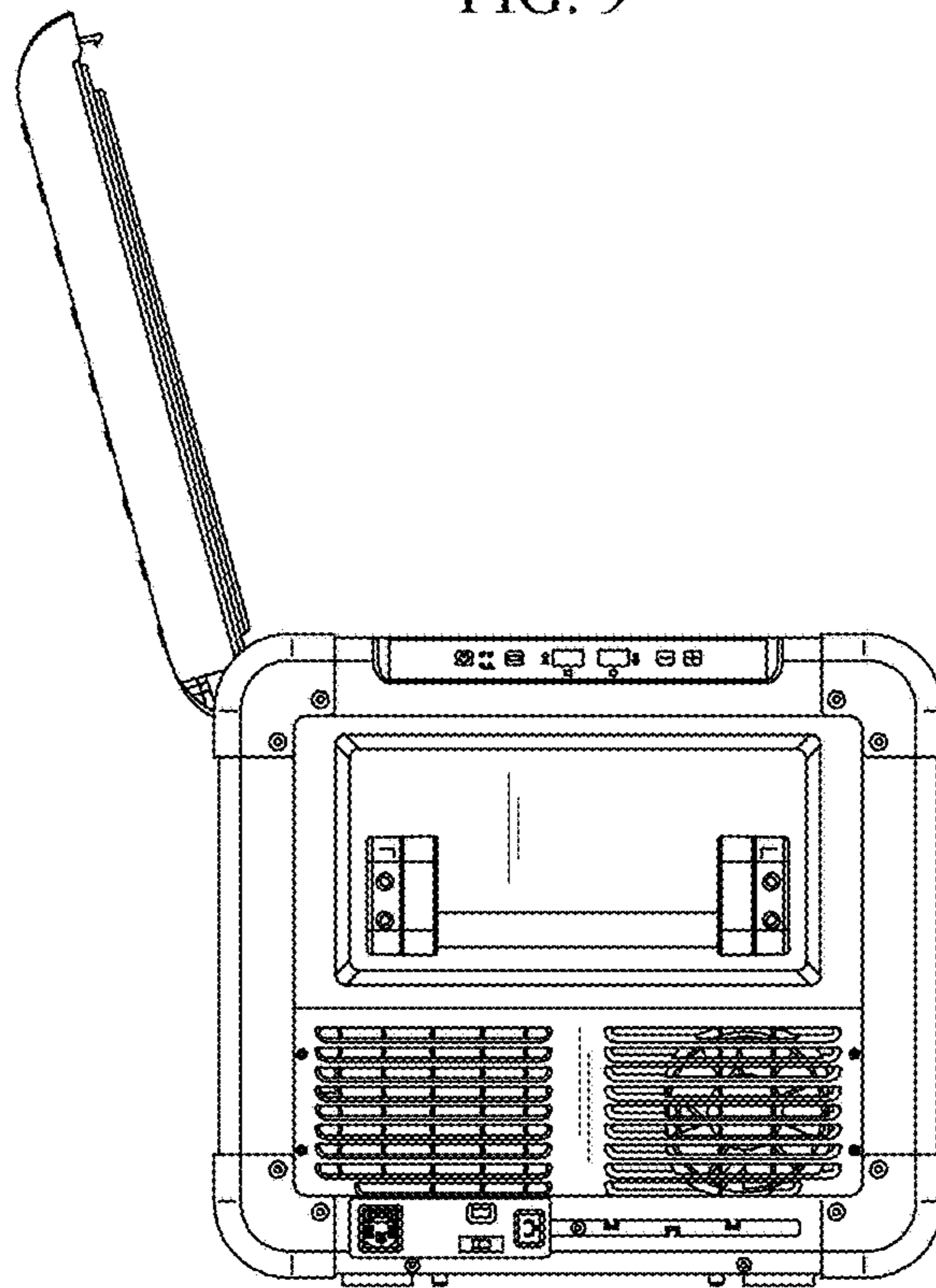


FIG. 10

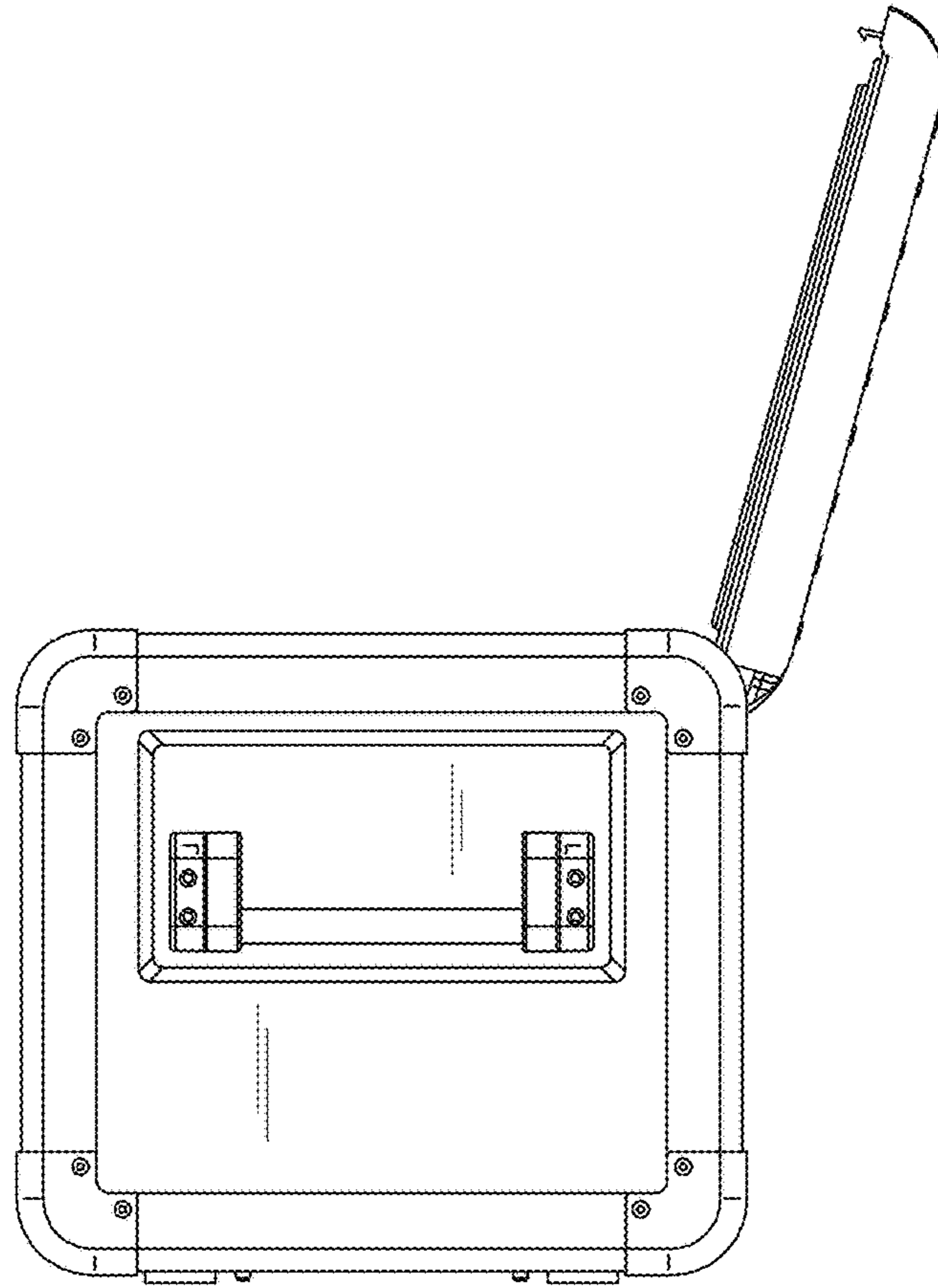


FIG. 11

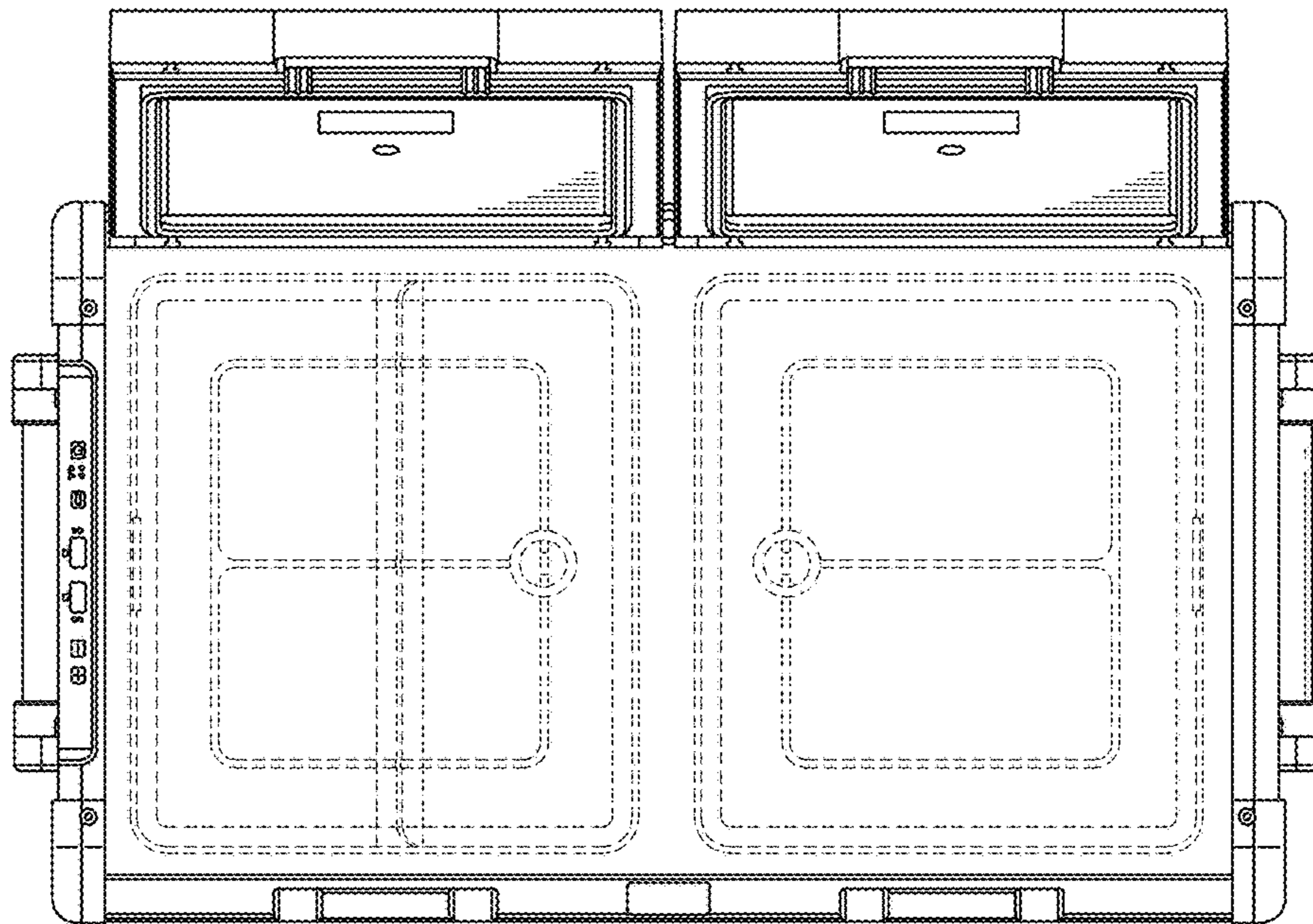


FIG. 12

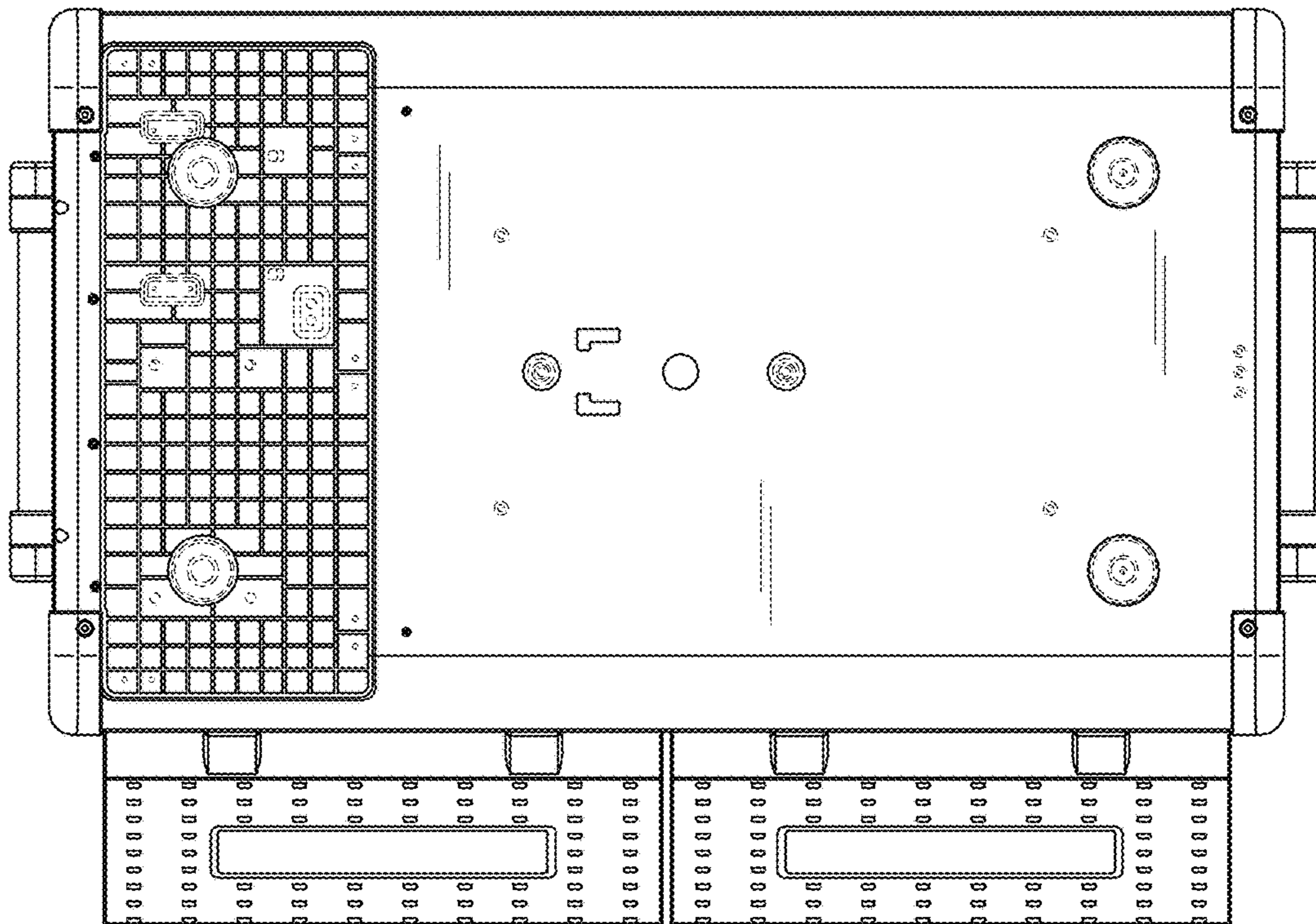


FIG. 13

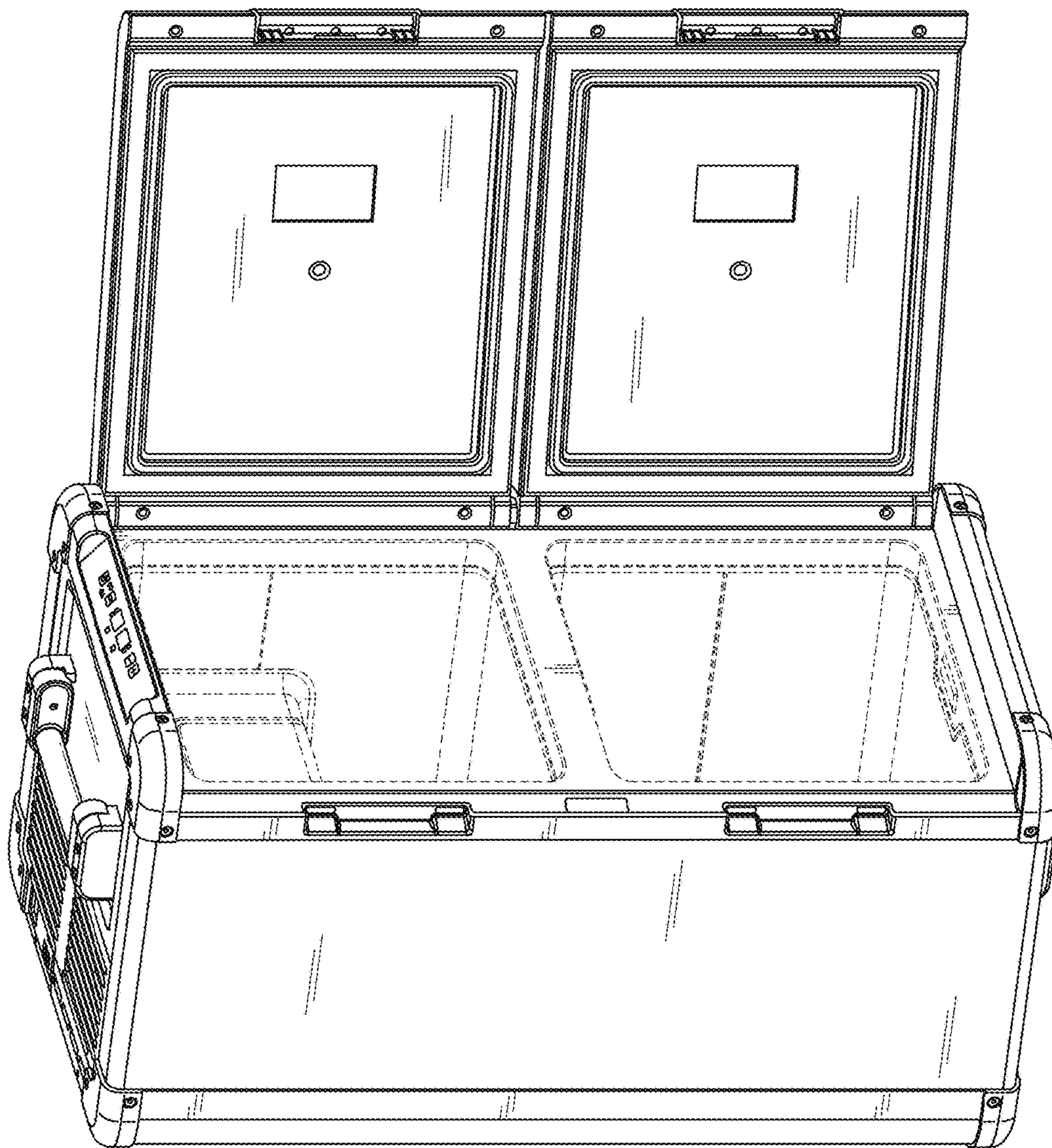


FIG. 14