



US00D802027S

(12) **United States Design Patent**
Underhill et al.

(10) **Patent No.:** **US D802,027 S**

(45) **Date of Patent:** **** Nov. 7, 2017**

(54) **WHEELED LOADING SHOVEL VEHICLE**

(71) Applicant: **J.C. BAMFORD EXCAVATORS LIMITED**, Rocester, Staffordshire (GB)

(72) Inventors: **Thomas Edward Underhill**, Rocester (GB); **Samuel John Jilbert**, Rocester (GB)

(73) Assignee: **J.C. BAMFORD EXCAVATORS LIMITED**, Utttoxeter (GB)

(**) Term: **15 Years**

(21) Appl. No.: **29/539,086**

(22) Filed: **Sep. 10, 2015**

(30) **Foreign Application Priority Data**

Mar. 10, 2015 (EM) 001431910

(51) **LOC (10) Cl.** **12-09**

(52) **U.S. Cl.**
USPC **D15/25**

(58) **Field of Classification Search**
USPC D15/10, 11, 12, 23, 25, 28, 30, 32, 33,
D15/199

CPC E02F 9/2004; E02F 9/207; E02F 9/2091;
E02F 9/2246; E02F 9/2292; E02F 3/32;
E02F 3/325; E02F 3/352; E02F 3/384;
E02F 3/425; E02F 3/437; E02F 3/627;
E02F 3/964; E02F 9/006; E02F 9/0808;
E02F 9/0833; E02F 9/0858; E02F 9/0875;
E02F 9/2045

See application file for complete search history.

(56) **References Cited**

U.S. PATENT DOCUMENTS

D431,575 S * 10/2000 Park D15/25
D529,932 S * 10/2006 Yamashita D15/25

D540,352 S * 4/2007 Sato D15/25
D540,828 S * 4/2007 Johnson D15/25
D540,829 S * 4/2007 Johnson D15/25
D549,738 S * 8/2007 Hiraoka D15/25
D590,846 S * 4/2009 Kinsinger D15/22
D628,599 S * 12/2010 Major D15/23
D629,017 S * 12/2010 Major D15/23
D682,890 S * 5/2013 Iwata D15/25
D693,853 S * 11/2013 Hiraoka D15/23
D705,273 S * 5/2014 Furuki D15/25
D758,457 S * 6/2016 Okuyama D15/23

* cited by examiner

Primary Examiner — Ian Simmons

Assistant Examiner — Khawaja Anwar

(74) *Attorney, Agent, or Firm* — Marshall, Gerstein & Borun LLP

(57) **CLAIM**

The ornamental design for a wheeled loading shovel vehicle, as shown and described.

DESCRIPTION

FIG. 1 is a front and right-side isometric view of a wheeled loading shovel vehicle, showing the new design.

FIG. 2 is a front elevation view of the wheeled loading shovel vehicle.

FIG. 3 is a rear elevation view.

FIG. 4 is a right-side elevation view.

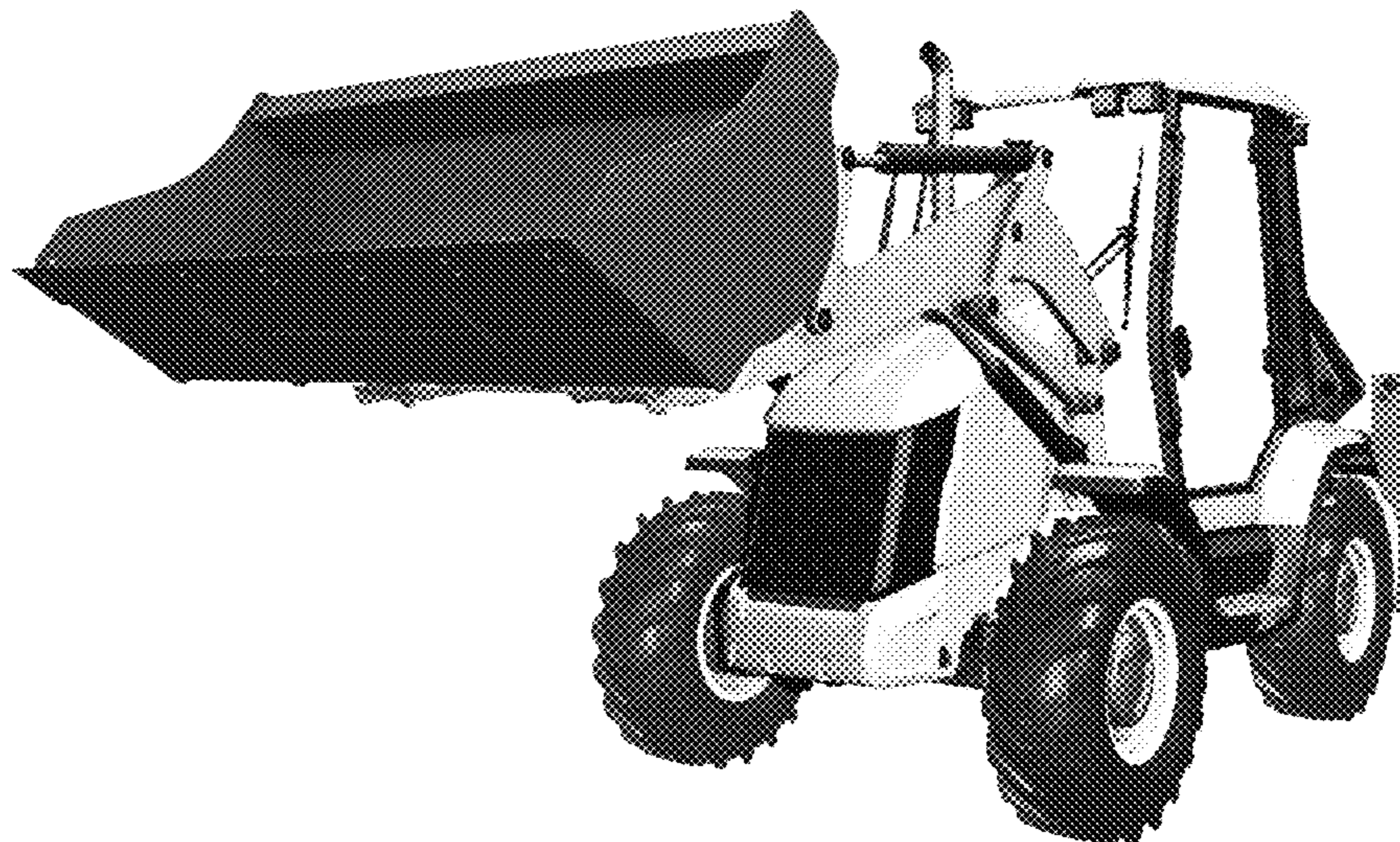
FIG. 5 is a left-side elevation view.

FIG. 6 is a top plan view; and,

FIG. 7 is a bottom plan view.

The cab elements surrounded by broken lines are not part of the claimed design.

1 Claim, 7 Drawing Sheets



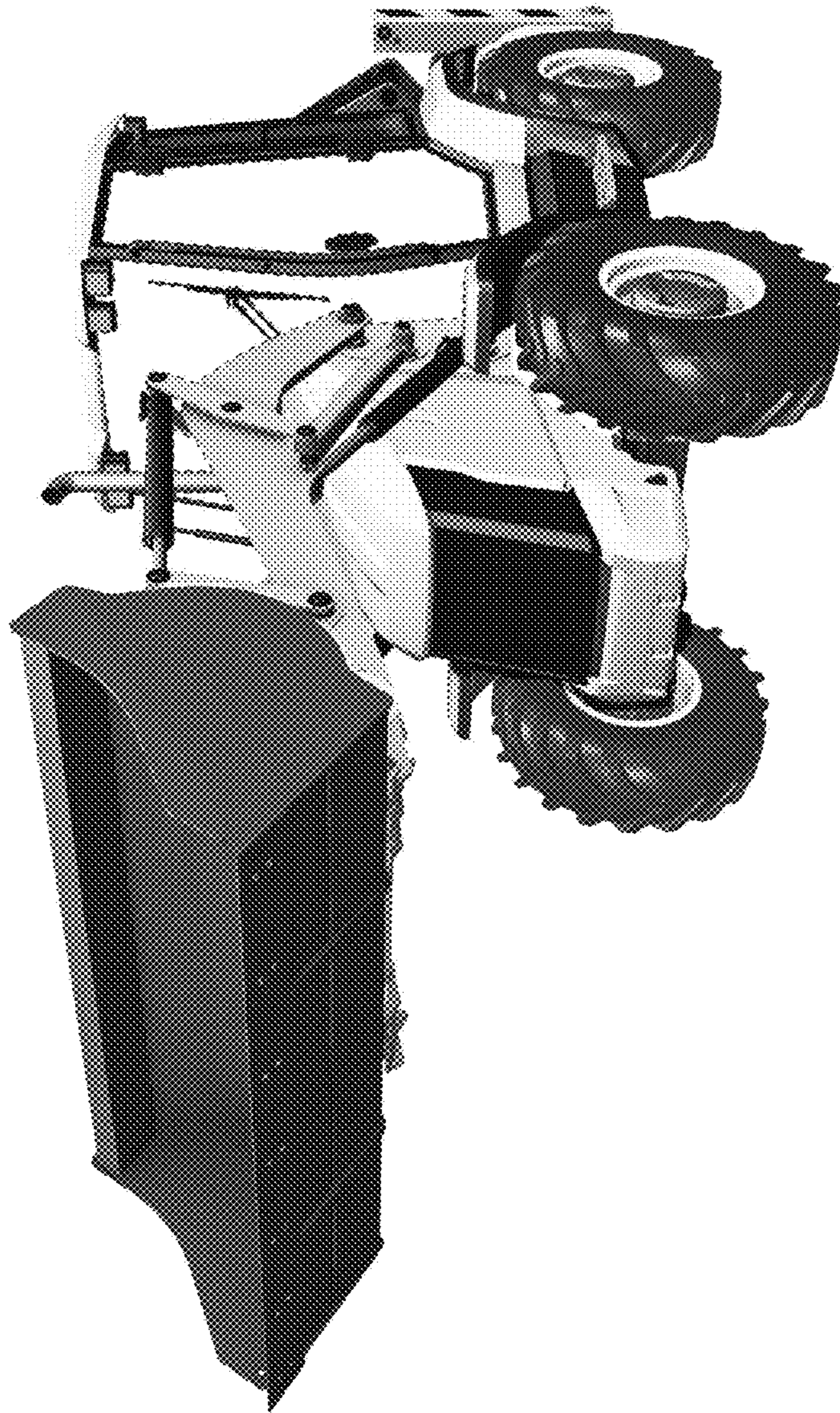


FIG. 1



FIG. 2

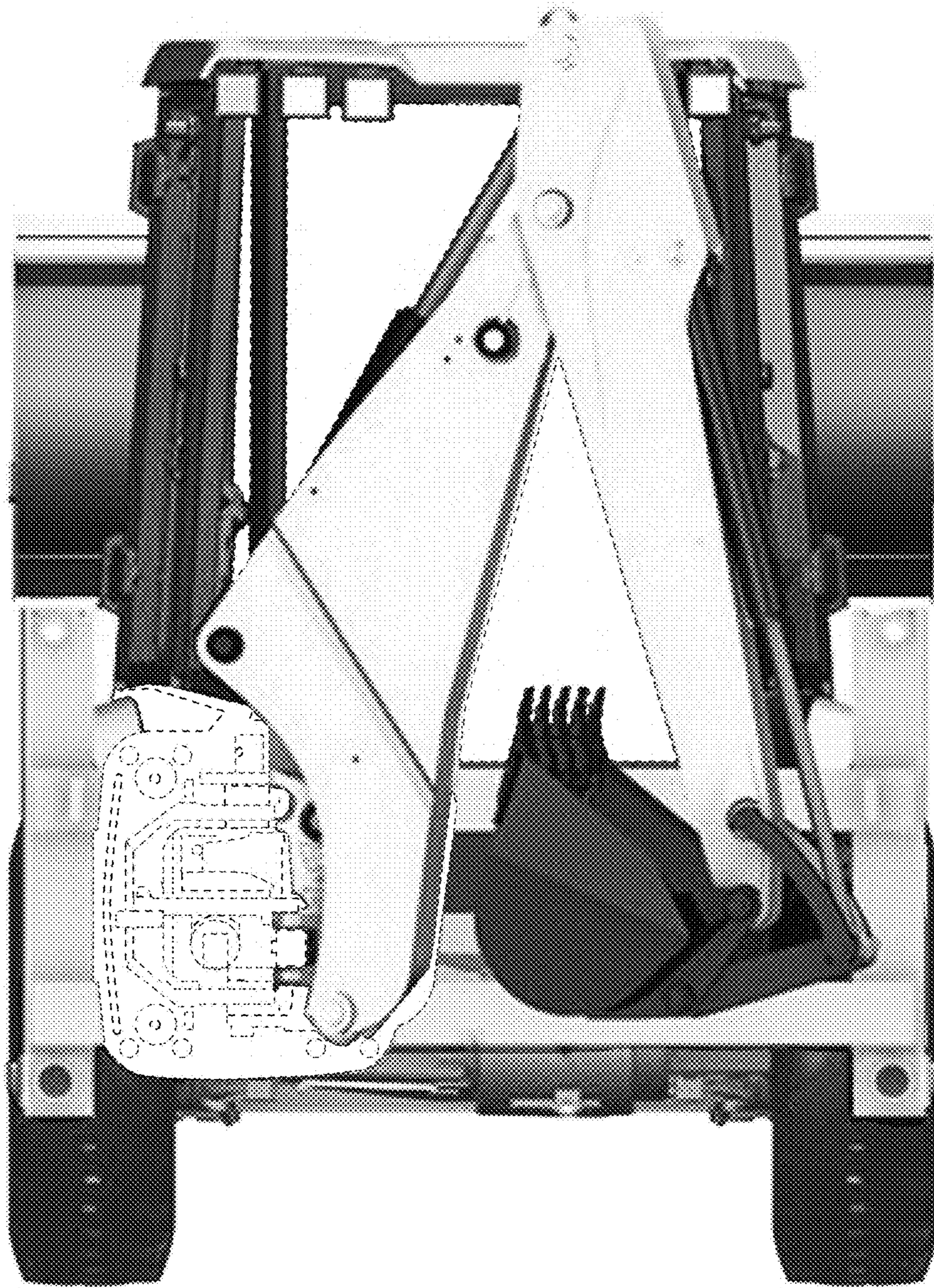


FIG. 3

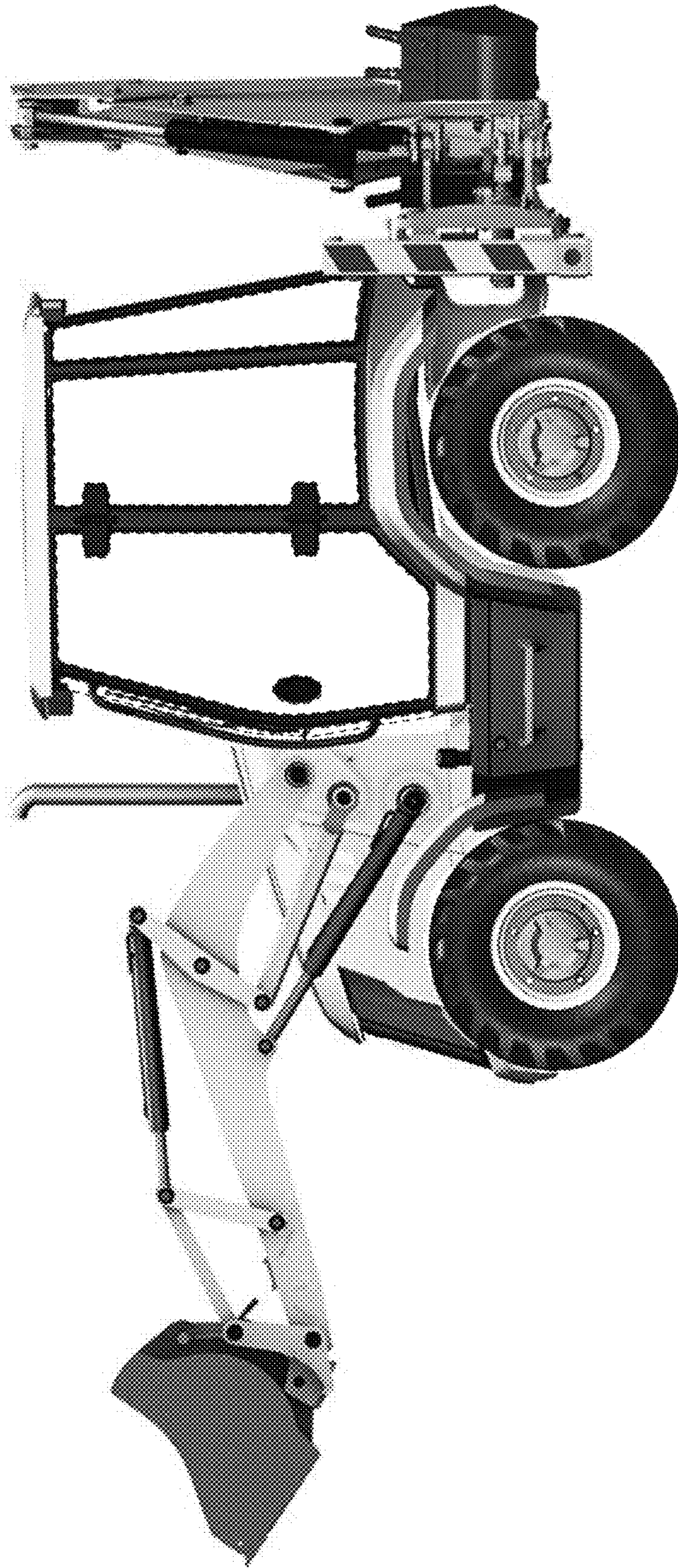


FIG. 4

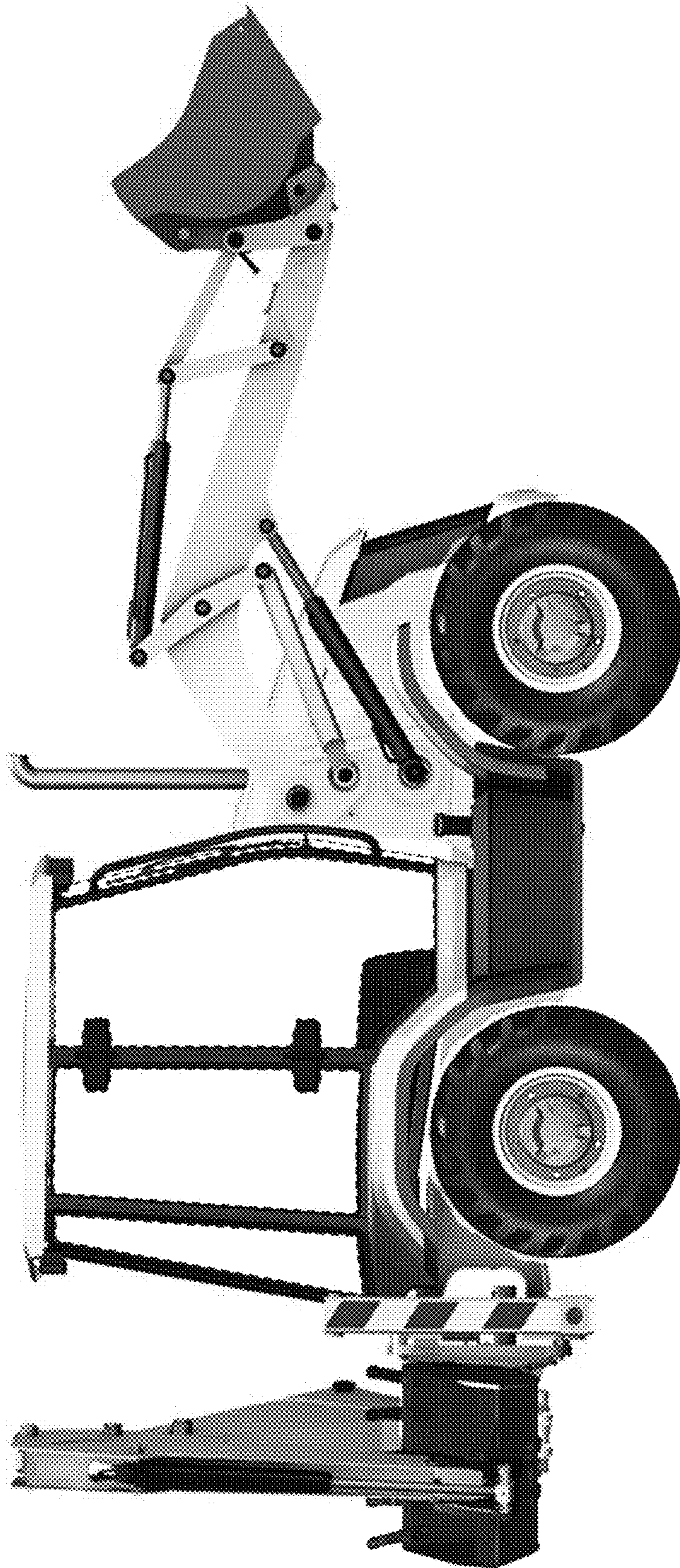


FIG. 5

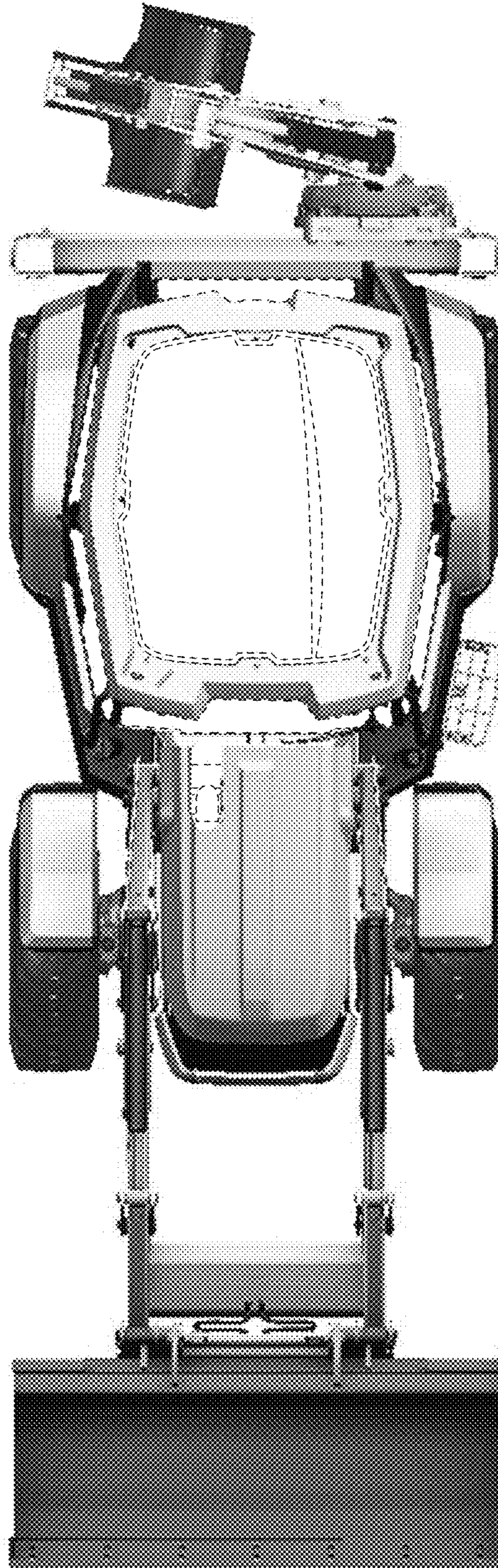


FIG. 6

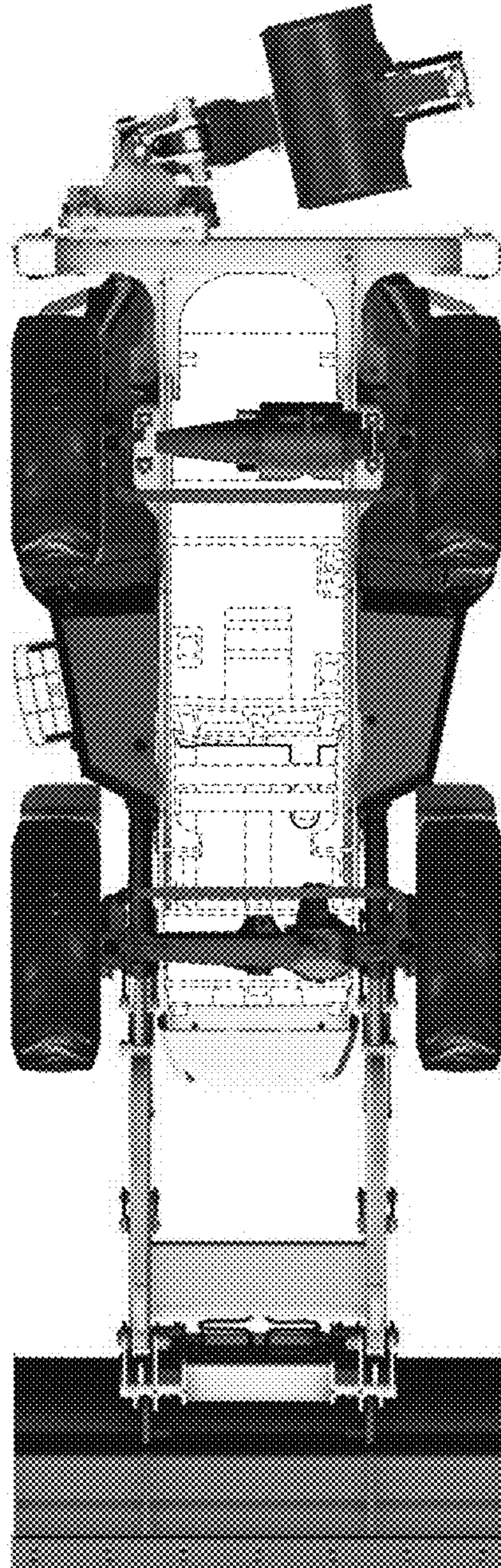


FIG. 7