



US00D802023S

(12) **United States Design Patent** (10) **Patent No.:** **US D802,023 S**  
**Aoki** (45) **Date of Patent:** **\*\* Nov. 7, 2017**

(54) **CATALYST CARRIER FOR EXHAUST GAS PURIFICATION**  
(71) Applicant: **NGK Insulators, Ltd.**, Nagoya-Shi (JP)  
(72) Inventor: **Takashi Aoki**, Nagoya (JP)  
(73) Assignee: **NGK Insulators, Ltd.**, Nagoya (JP)  
(\*\*) Term: **15 Years**  
(21) Appl. No.: **29/582,420**  
(22) Filed: **Oct. 27, 2016**

**Related U.S. Application Data**

(62) Division of application No. 29/530,507, filed on Jun. 17, 2015, now Pat. No. Des. 780,808.

**Foreign Application Priority Data**

Dec. 24, 2014 (JP) ..... 2014-028840  
Dec. 24, 2014 (JP) ..... 2014-028842  
Dec. 24, 2014 (JP) ..... 2014-028843  
Dec. 24, 2014 (JP) ..... 2014-028845

(51) **LOC (10) Cl.** ..... **15-01**

(52) **U.S. Cl.**  
USPC ..... **D15/5; D23/365**

(58) **Field of Classification Search**

USPC ..... D15/1-6; D23/365, 209, 363, 358, 386, D23/354, 341, 364  
CPC ..... F01M 13/00; F01M 2013/0038; F02D 41/021; F02D 41/027; F02D 41/0275; F02D 41/0285; F02D 41/029; F01N 3/02; F01N 3/0217; F01N 3/0218; F01N 3/022; F01N 3/0228; F01N 3/035; F01N 3/0878; B01D 53/00; B01D 53/0407

See application file for complete search history.

(56) **References Cited**

U.S. PATENT DOCUMENTS

3,495,606	A	2/1970	Phillips	
5,769,045	A *	6/1998	Edwards	..... F02M 35/10032 123/184.61
D398,046	S	9/1998	Gillingham	
D425,189	S	5/2000	Gillingham	
7,879,427	B2	2/2011	Ohno	
7,939,157	B2	5/2011	Tsunekawa	
D709,919	S *	7/2014	Fairchild	..... D15/5
9,126,144	B2	9/2015	Aoyama	
D748,236	S	1/2016	Shibata	
D748,237	S	1/2016	Shibata	
D749,714	S	2/2016	Shibata	
2003/0145732	A1 *	8/2003	Leffel	..... B01D 53/02 96/134
2005/0263199	A1 *	12/2005	Meheen	..... F01D 9/06 138/44
2008/0245040	A1	10/2008	Riley	
2009/0090089	A1	4/2009	Phelps	

(Continued)

*Primary Examiner* — T. Chase Nelson

*Assistant Examiner* — Ania Aman

(74) *Attorney, Agent, or Firm* — Burr & Brown, PLLC

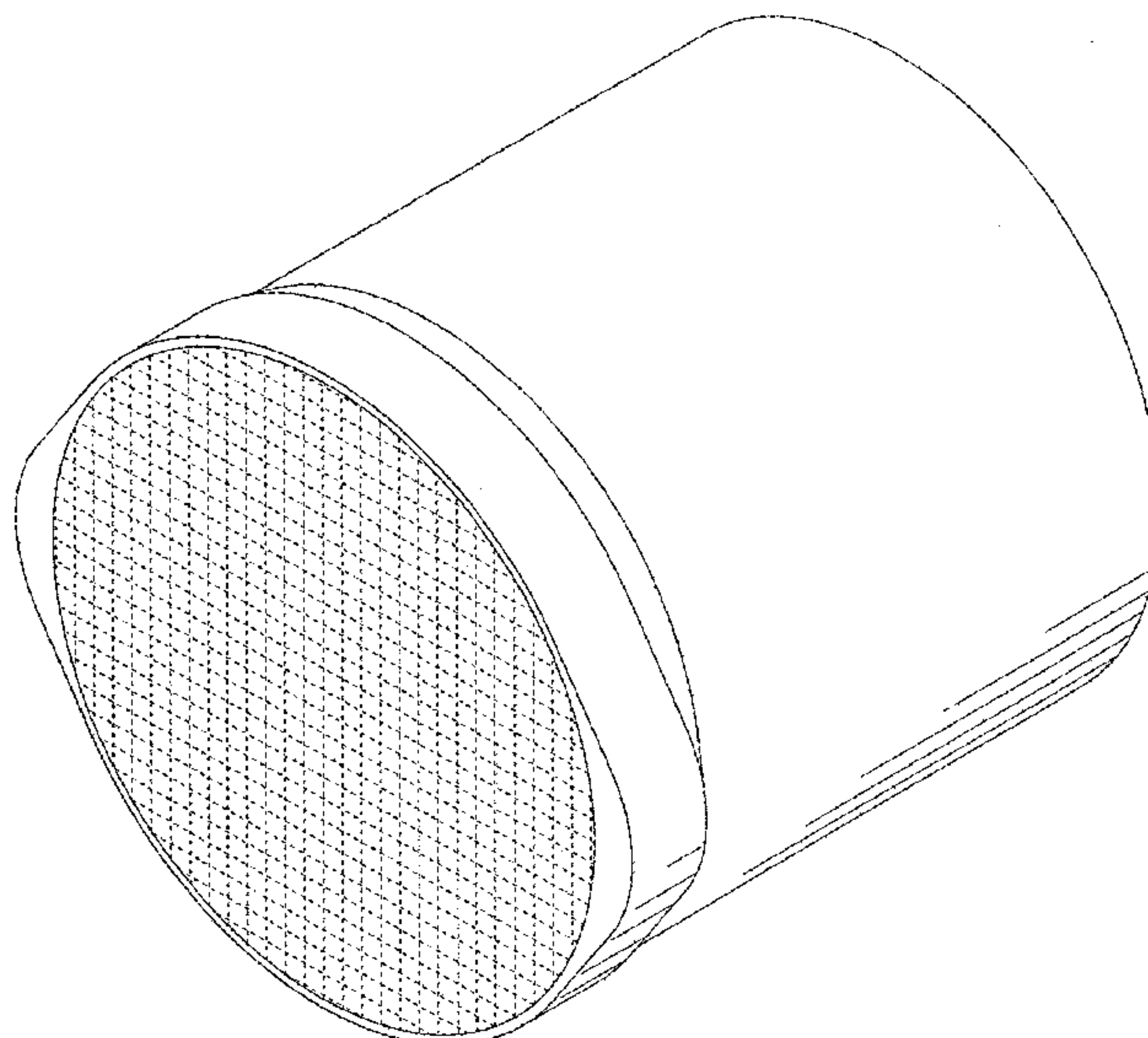
(57) **CLAIM**

The ornamental design for a catalyst carrier for exhaust gas purification, as shown and described.

**DESCRIPTION**

FIG. 1 is a perspective view of a catalyst carrier for exhaust gas purification illustrating my new design;  
FIG. 2 is a front view thereof;  
FIG. 3 is a right view thereof, the left view thereof being a right-and-left reversed image;  
FIG. 4 is a top view thereof, the bottom view thereof being a mirror image; and,  
FIG. 5 is a rear view thereof.  
The broken lines in the drawings depict unclaimed subject matter only and form no part of the claimed design.

**1 Claim, 5 Drawing Sheets**



(56)

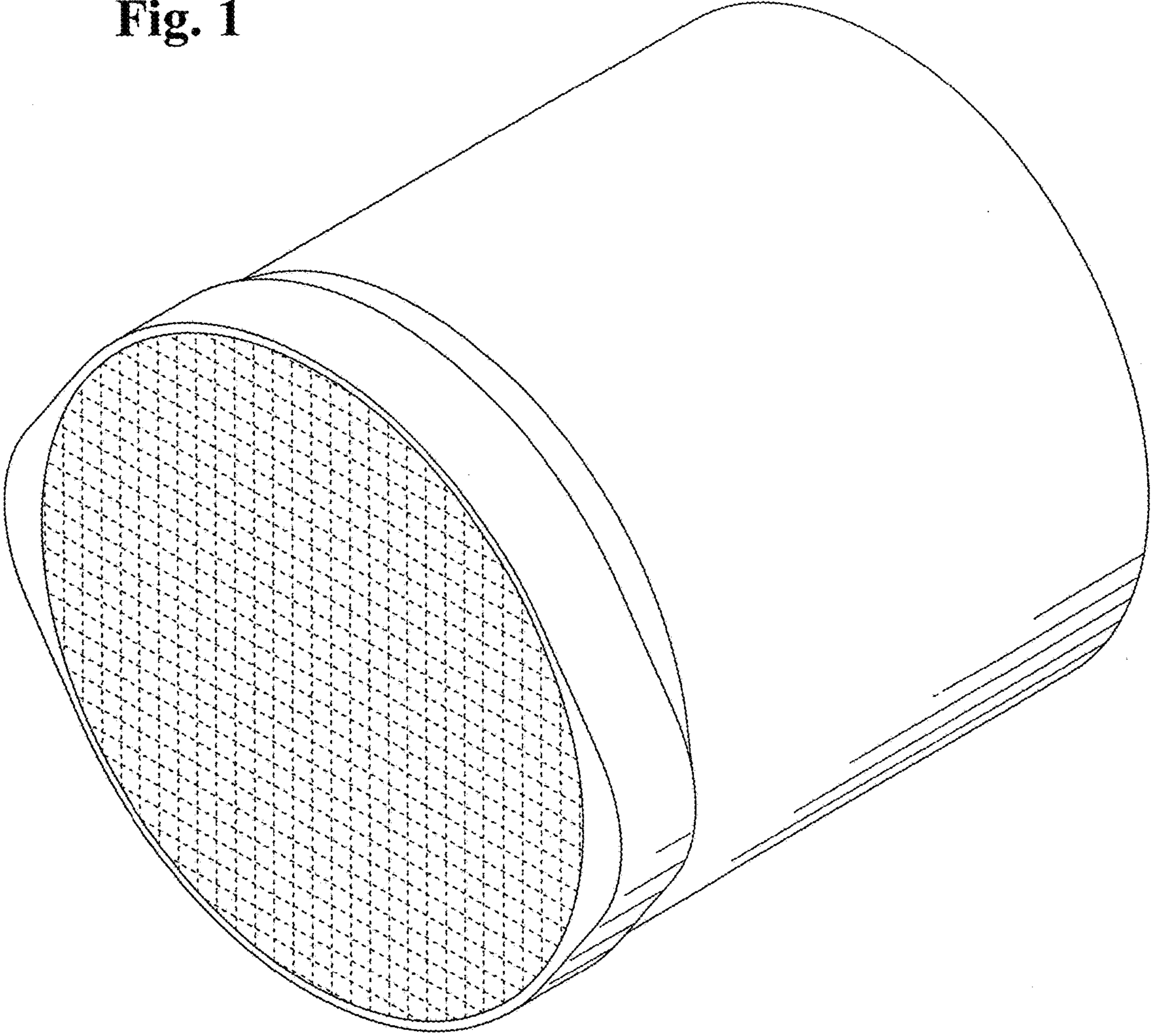
**References Cited**

U.S. PATENT DOCUMENTS

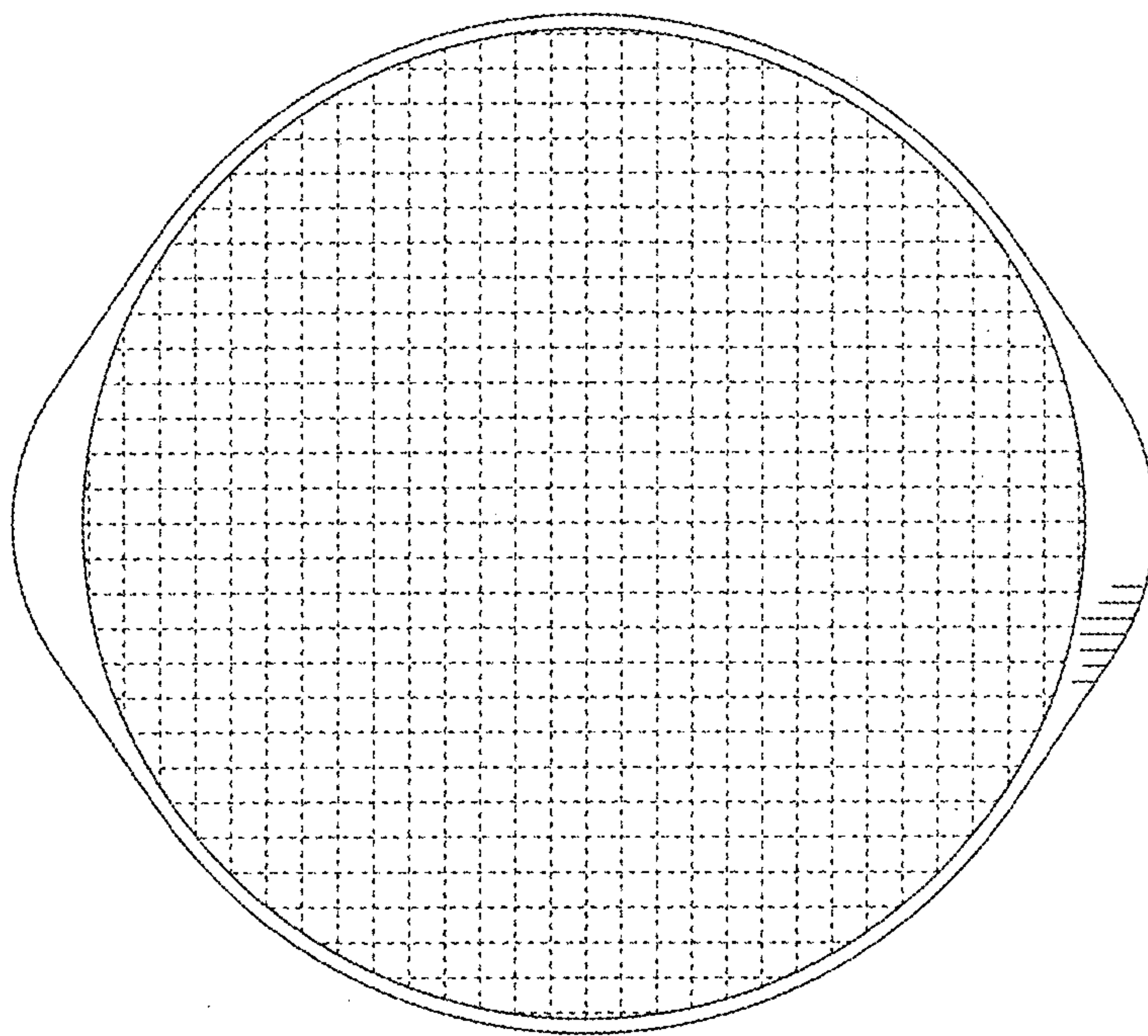
2010/0124519	A1	5/2010	Kohli
2011/0000199	A1	1/2011	Ezawa
2011/0023472	A1	2/2011	Saito
2014/0087080	A1	3/2014	Fujioka
2014/0087128	A1	3/2014	Yanase
2014/0087636	A1	3/2014	Fujioka
2014/0123612	A1	5/2014	Yamada
2015/0238951	A1	8/2015	Aoki
2016/0115835	A1	4/2016	Daido
2016/0194991	A1	7/2016	Clayton, Jr.

\* cited by examiner

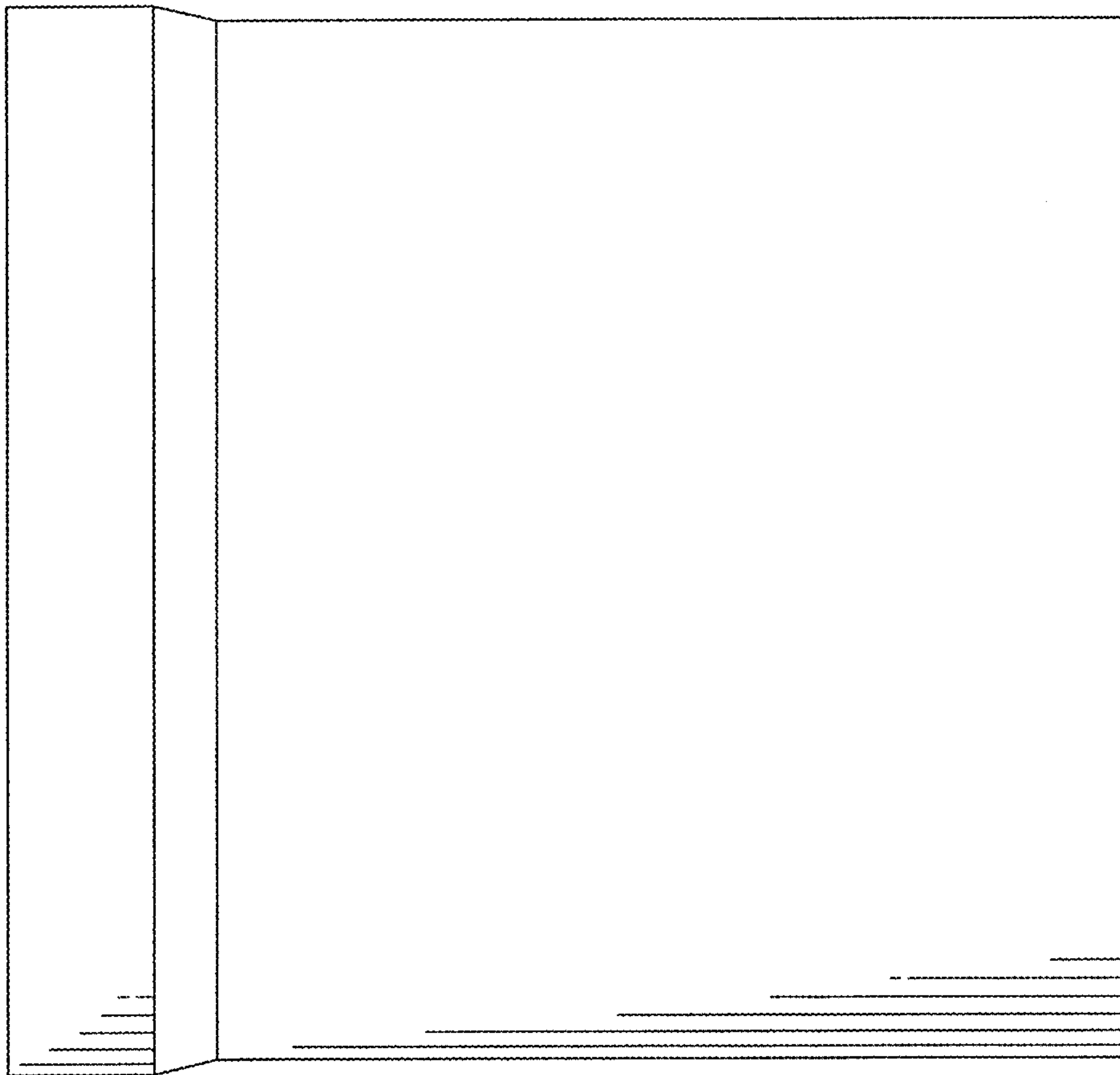
**Fig. 1**



**Fig. 2**



**Fig. 3**





**Fig. 4**

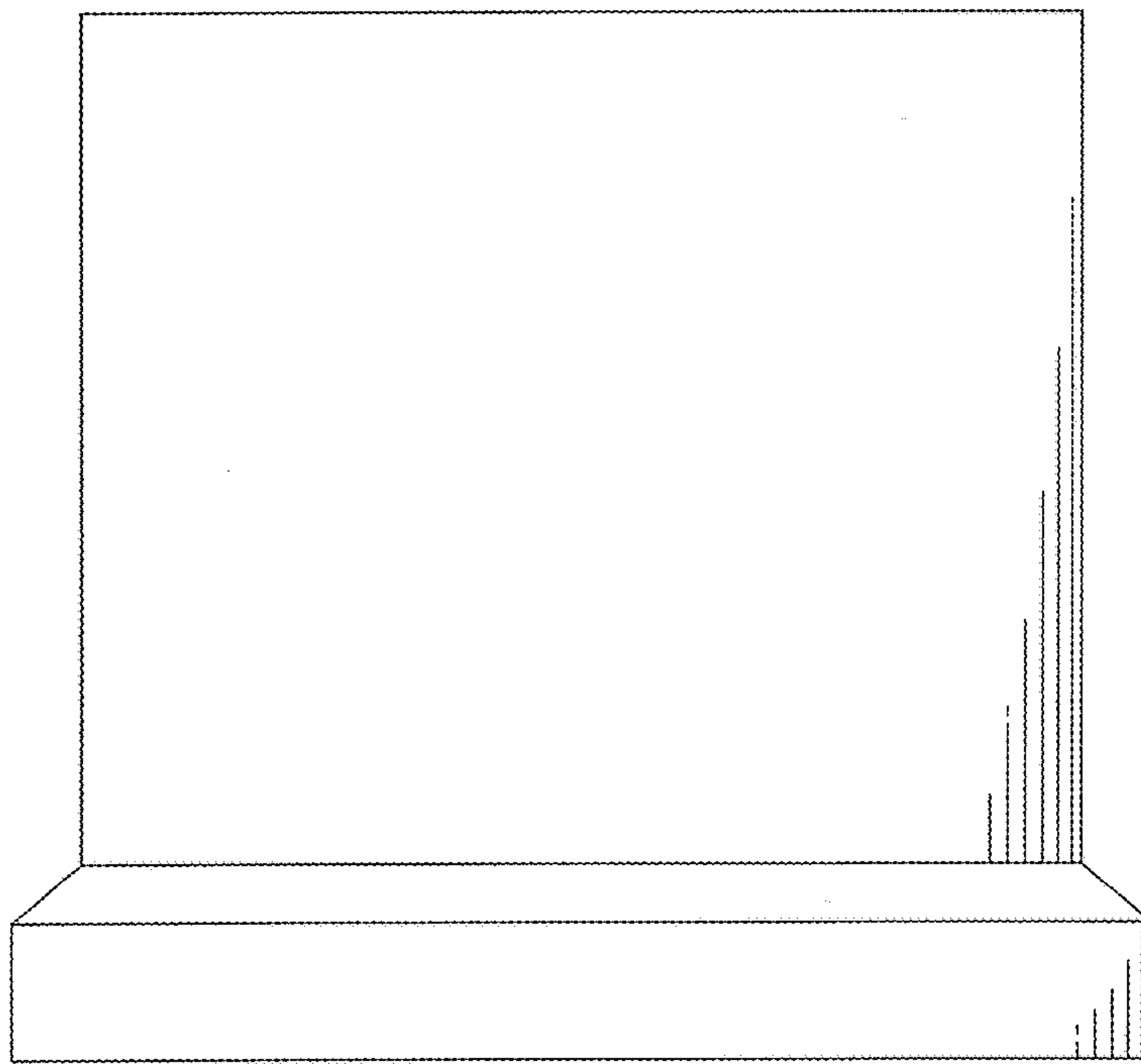


Fig. 5

