



US00D802022S

(12) **United States Design Patent**
Yao et al.

(10) **Patent No.:** **US D802,022 S**
(45) **Date of Patent:** **** Nov. 7, 2017**

- (54) **INTELLIGENT REMOTE CONTROL**
- (71) Applicant: **Hangzhou Gubei Electronics Technology Co., Ltd.**, Hangzhou, Zhejiang Province (CN)
- (72) Inventors: **Bo Yao**, Hangzhou (CN); **Zongru Liu**, Hangzhou (CN); **Zhiwei Li**, Hangzhou (CN)
- (73) Assignee: **Hangzhou Gubei Electronics Technology Co., Ltd.**, Hangzhou, Zhejiang Province (CN)
- (**) Term: **15 Years**
- (21) Appl. No.: **29/579,293**
- (22) Filed: **Sep. 29, 2016**
- (51) **LOC (10) Cl.** **14-03**
- (52) **U.S. Cl.**
USPC **D14/496; D14/203.6**
- (58) **Field of Classification Search**
USPC D14/496, 401, 435, 474, 483, 217, 137, D14/138, 160, 168, 356, 203.1–203.8, D14/507; 345/156, 169, 173–179, 905; 715/727–729, 864; 710/1, 5, 8; 713/1, 713/600; 455/1.1, 1.7, 73, 344–347, 93, 455/95, 3.01–3.06, 550.1, 573.1; 370/342–344; 369/1, 2, 6–12; 463/43–47; 273/148 B; 725/25–31, 34, 725/36, 37, 74, 86–89, 105, 131, 135, 725/143
CPC .. A63F 13/00; A63F 11/00; A63F 2300/8047; G06F 17/00
See application file for complete search history.

- D700,904 S * 3/2014 Miller D13/168
- D717,342 S * 11/2014 Berk D14/496
- 8,880,795 B2 * 11/2014 Gilson G06F 12/00
711/112
- D726,161 S * 4/2015 Howard D14/218
- D739,397 S * 9/2015 Akana D14/314
- 9,137,474 B2 * 9/2015 Fan H04N 5/4403
- D748,078 S * 1/2016 Nardin D14/218
- 9,235,845 B2 * 1/2016 Ferren G06K 9/3266
- D771,142 S * 11/2016 Langhammer D14/203.6
- D784,412 S * 4/2017 Akana D14/496

* cited by examiner

Primary Examiner — Prabhakar Deshmukh

(74) *Attorney, Agent, or Firm* — Muncy, Geissler, Olds & Lowe, P.C.

(57) **CLAIM**

The ornamental design for an intelligent remote control, as shown and described.

DESCRIPTION

FIG. 1 is a top perspective view of an intelligent remote control showing our new design;
 FIG. 2 is a bottom perspective view thereof;
 FIG. 3 is a front elevational view thereof;
 FIG. 4 is a rear elevational view thereof;
 FIG. 5 is a right side view thereof, the left side view being a mirror image thereof;
 FIG. 6 is a top plan view thereof; and,
 FIG. 7 is a bottom plan view thereof.

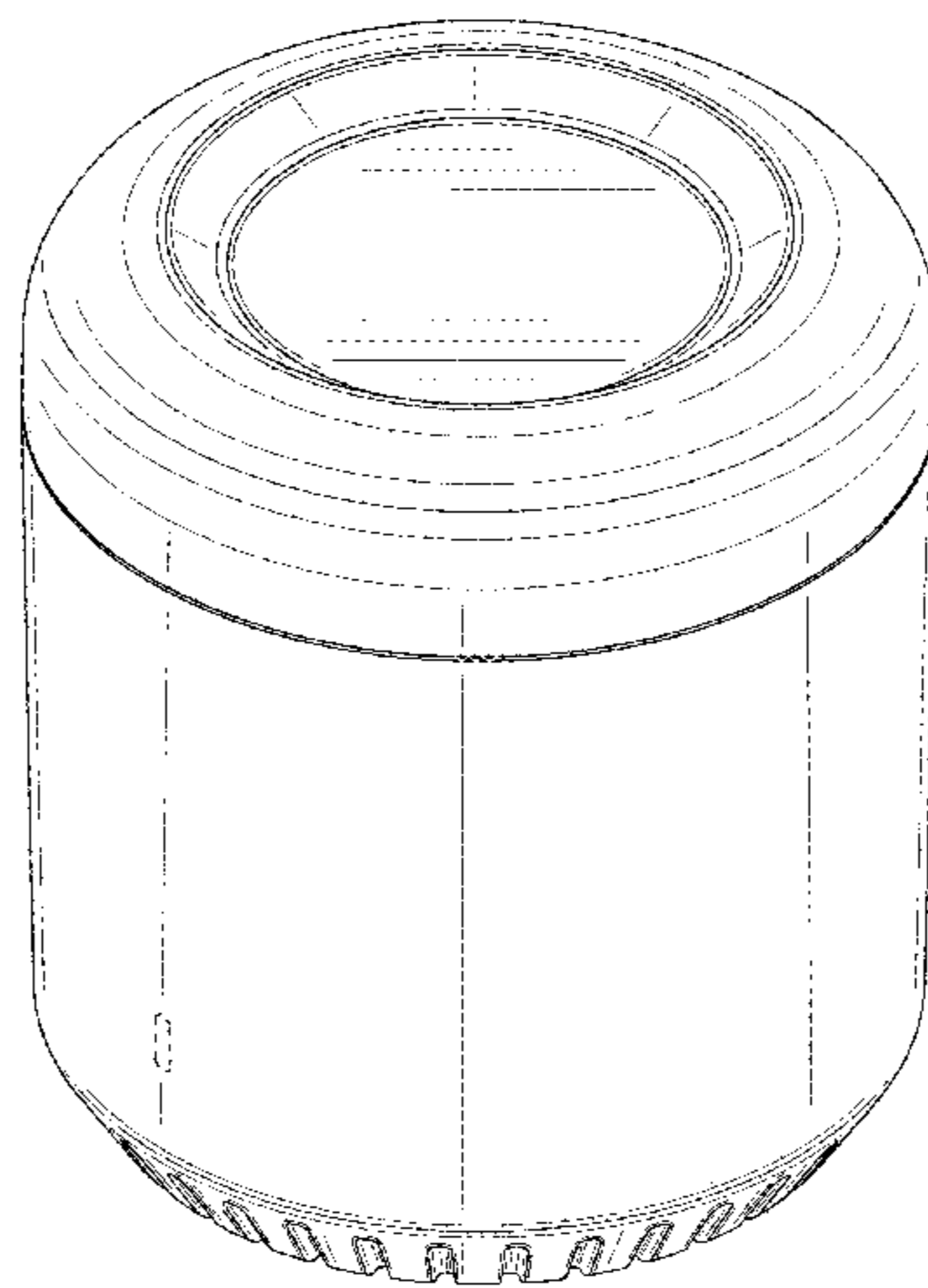
The broken lines are for the purpose of illustrating portions of the intelligent remote control which form no part of the claimed design.

1 Claim, 7 Drawing Sheets

(56) **References Cited**

U.S. PATENT DOCUMENTS

- 5,367,316 A * 11/1994 Ikezaki G06F 3/033
345/158
- 5,663,746 A * 9/1997 Pellenberg G09F 15/005
211/70



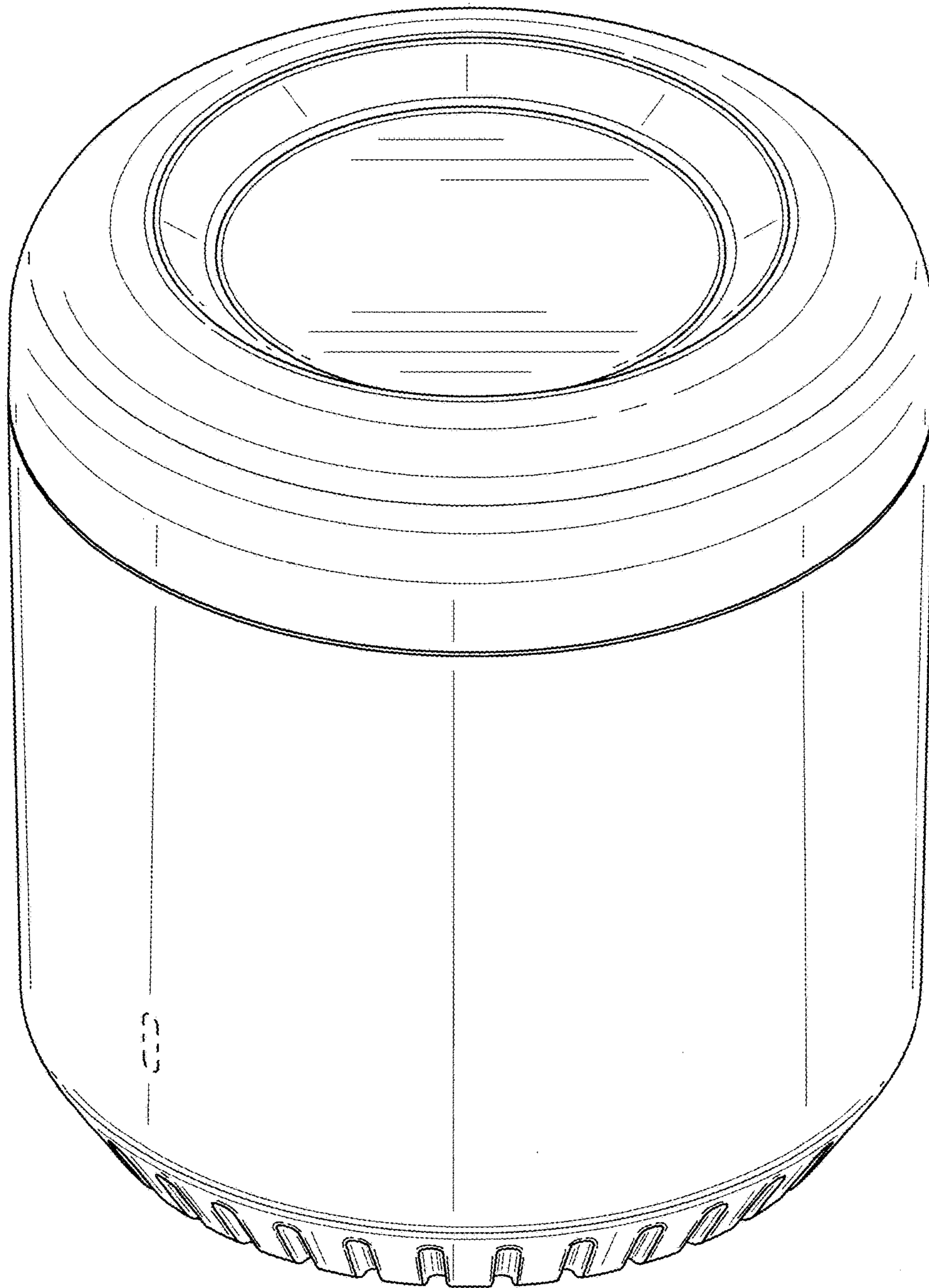


FIG. 1

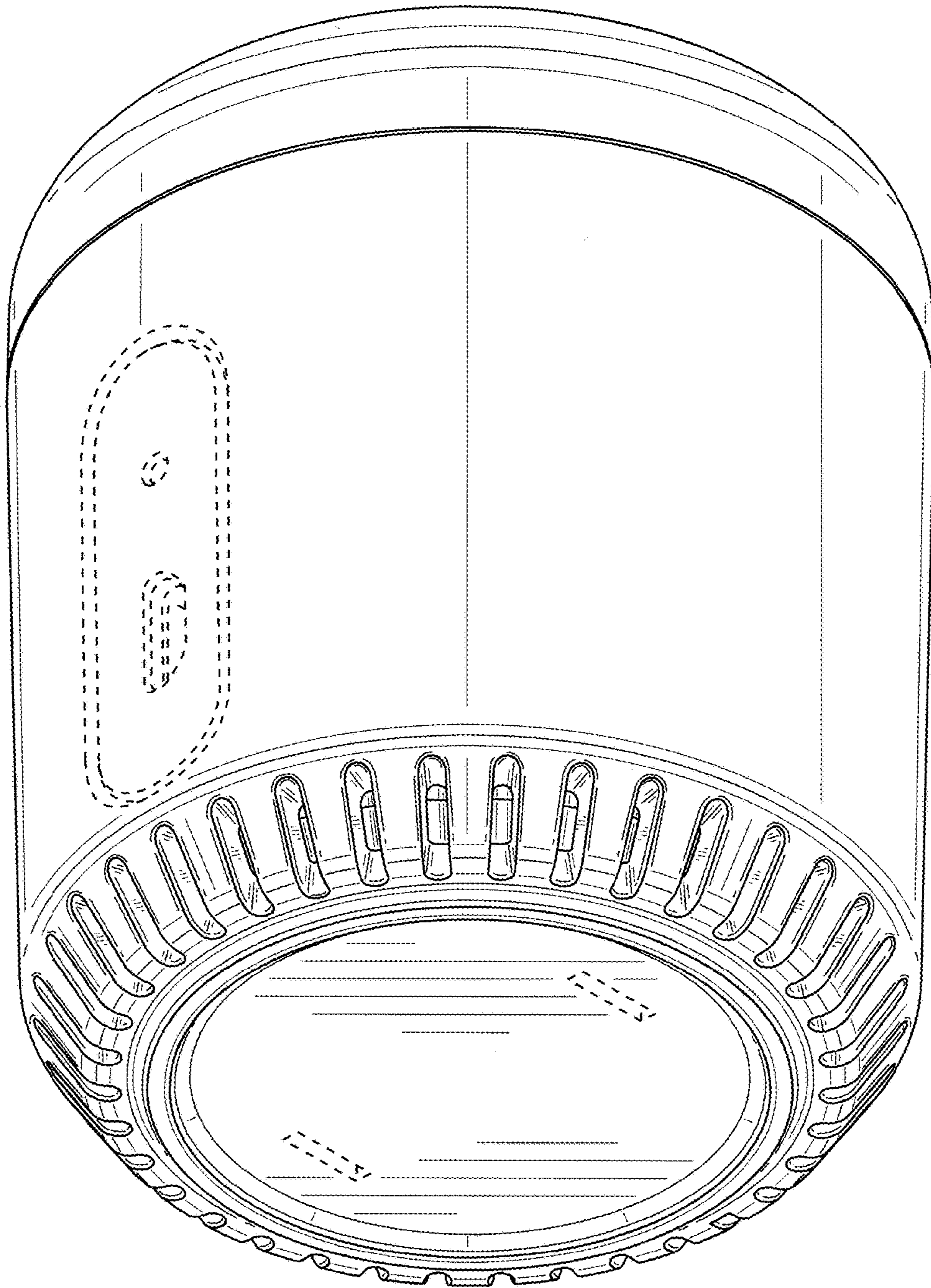


FIG. 2

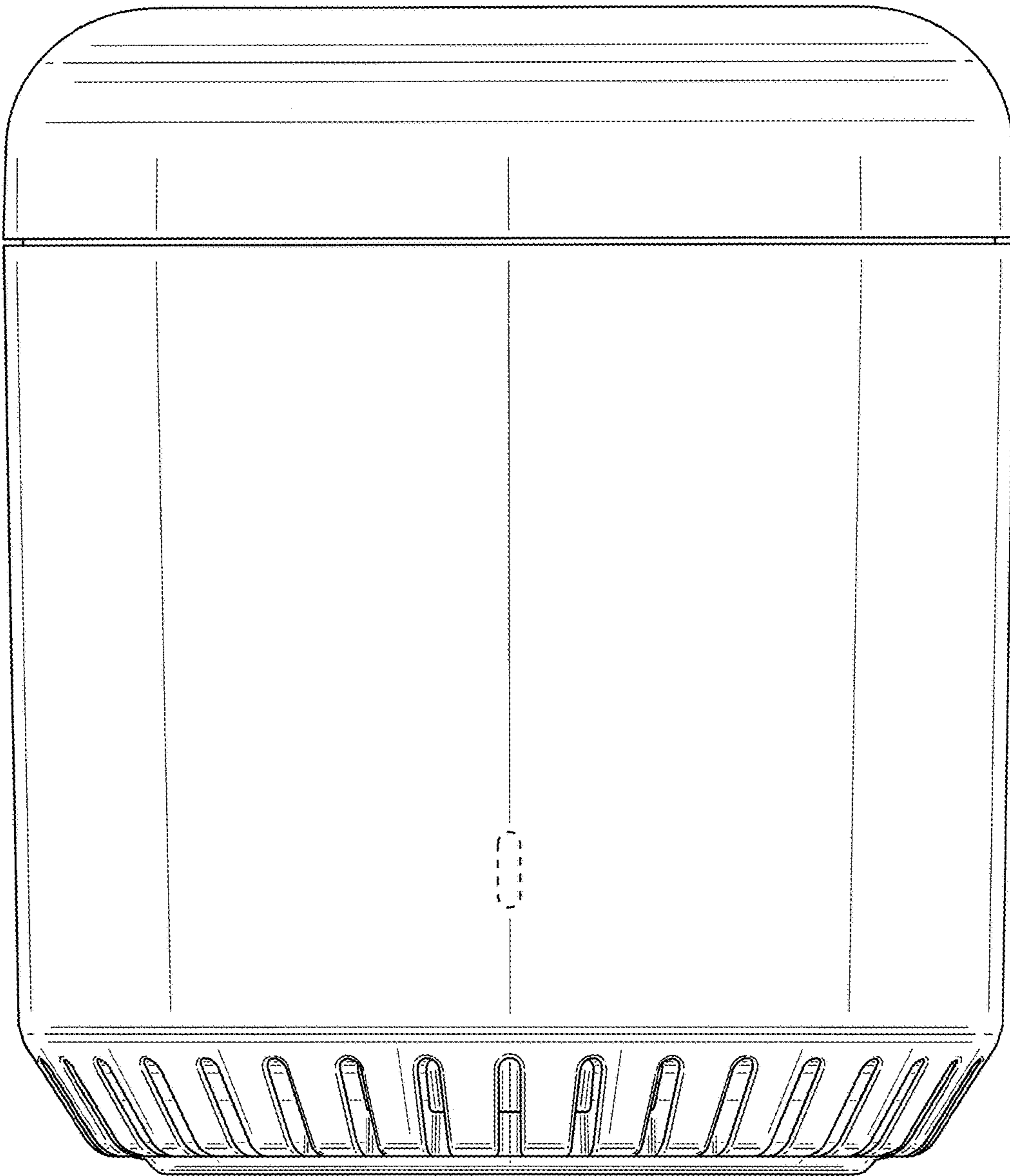


FIG. 3

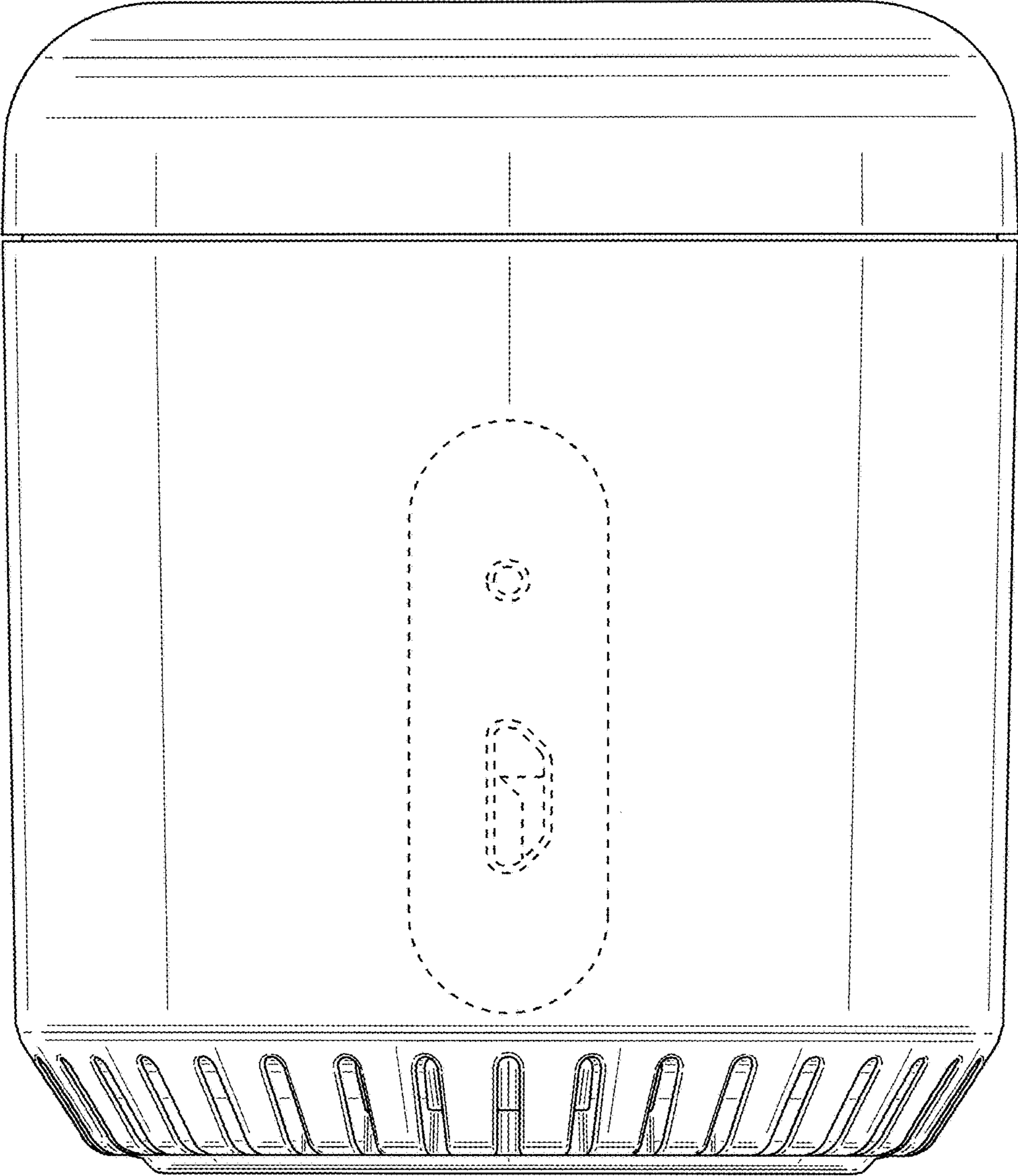


FIG. 4

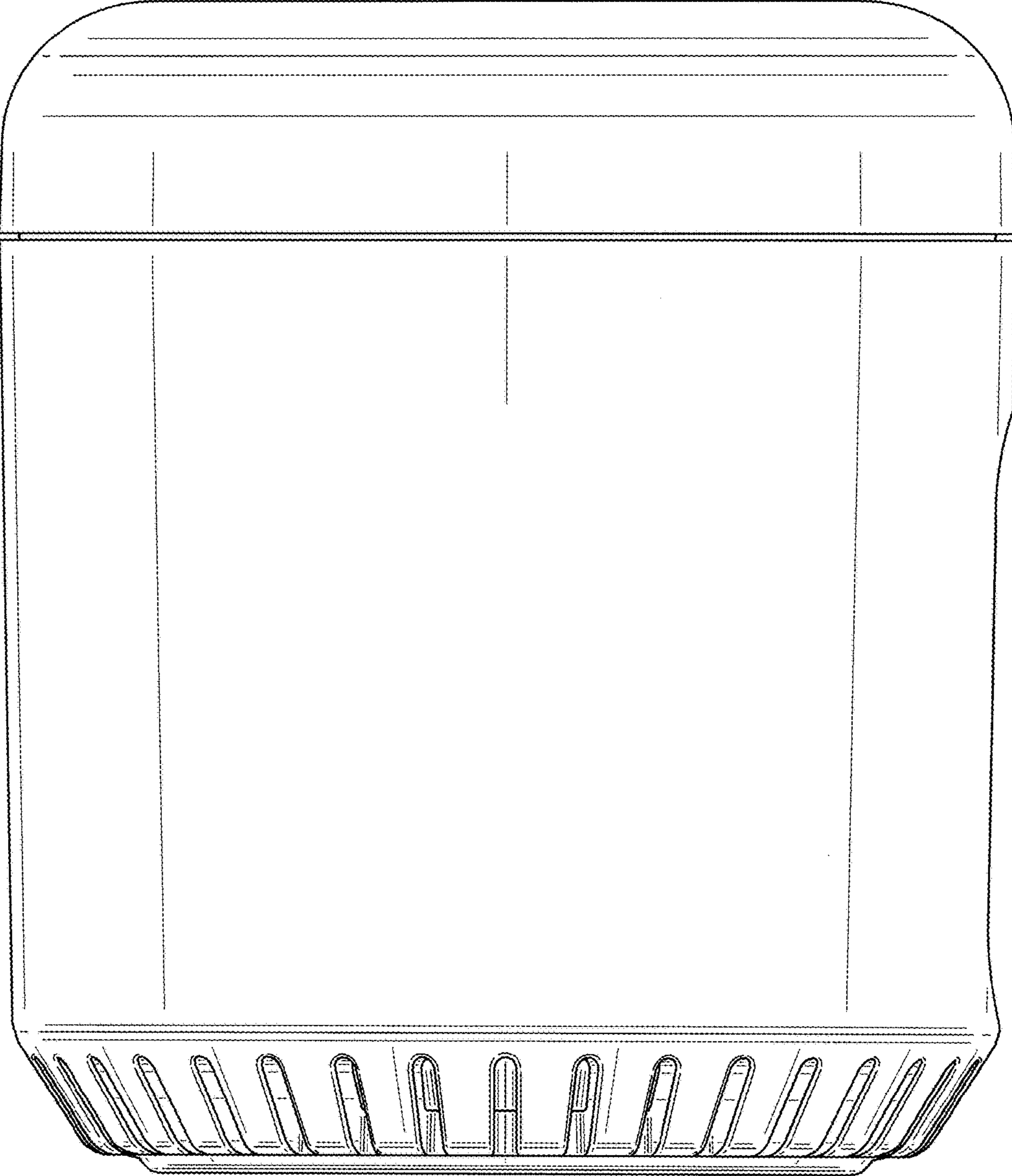


FIG. 5

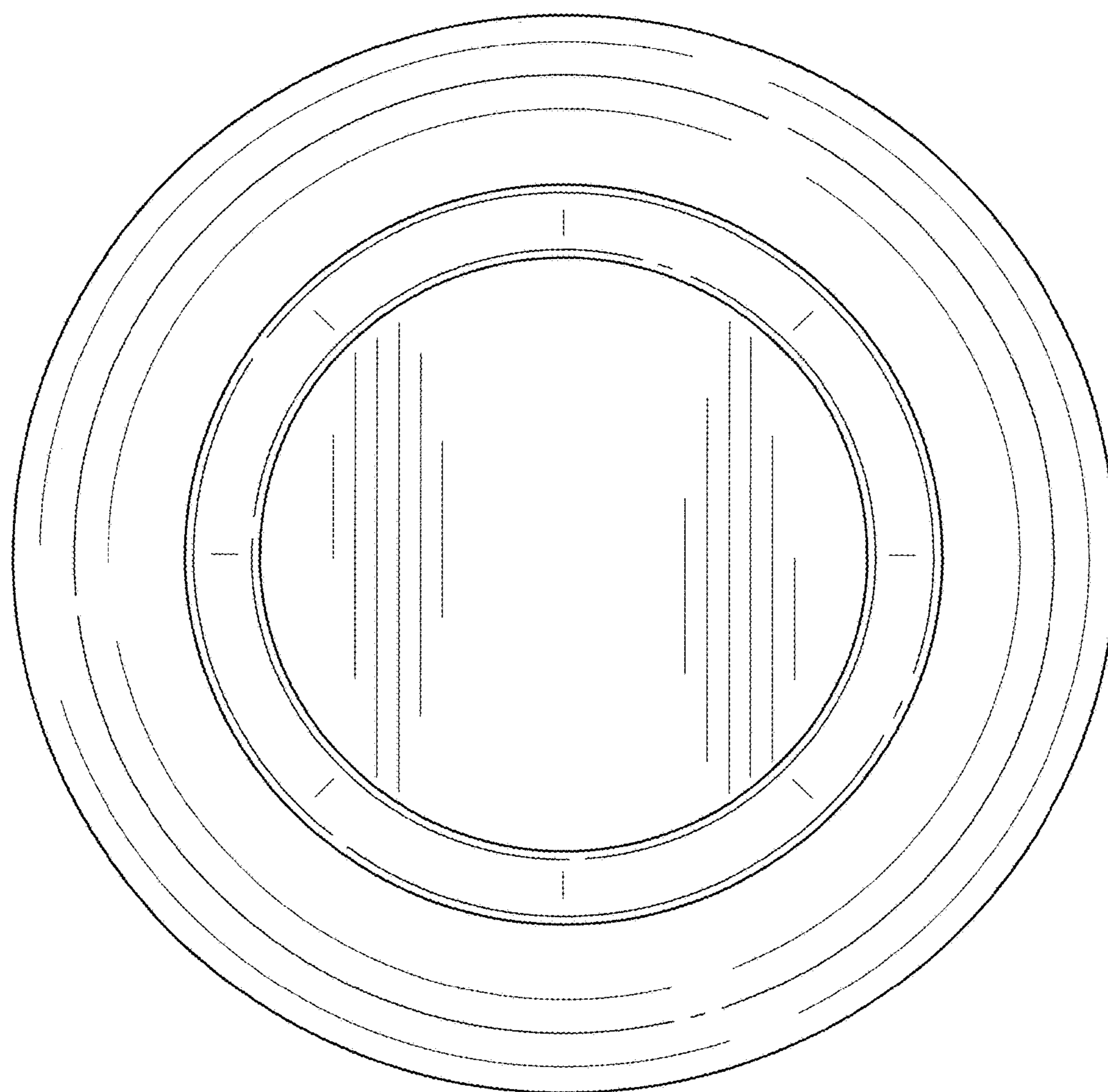


FIG. 6

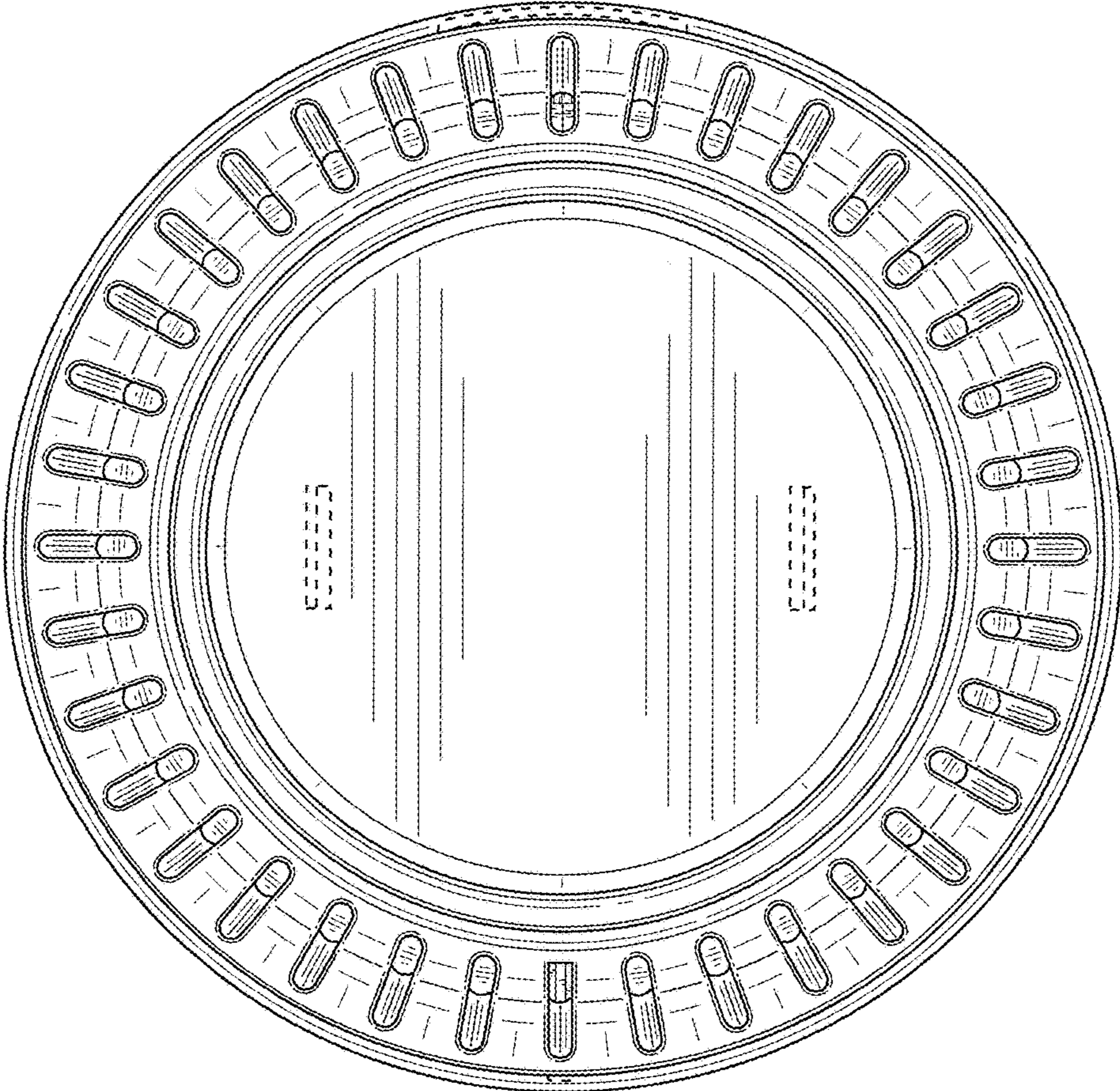


FIG. 7