



US00D802020S

(12) **United States Design Patent**
Kim et al.

(10) **Patent No.:** **US D802,020 S**

(45) **Date of Patent:** **** Nov. 7, 2017**

(54) **DISPLAY SCREEN OR PORTION THEREOF WITH GRAPHICAL USER INTERFACE**

(71) Applicant: **SAMSUNG ELECTRONICS CO., LTD.**, Suwon-si, Gyeonggi-do (KR)

(72) Inventors: **Youngseong Kim**, Seoul (KR); **Joon Kang**, Seoul (KR); **Giangyoon Kwon**, Seoul (KR); **Hansoo Jung**, Suwon-si (KR); **Jungwoo Choi**, Suwon-si (KR)

(73) Assignee: **SAMSUNG ELECTRONICS CO., LTD.**, Gyeonggi-Do (KR)

(**) Term: **15 Years**

(21) Appl. No.: **29/566,770**

(22) Filed: **Jun. 2, 2016**

(30) **Foreign Application Priority Data**

Dec. 3, 2015 (KR) 30-2015-0061674

(51) **LOC (10) Cl.** **14-04**

(52) **U.S. Cl.**
USPC **D14/492**

(58) **Field of Classification Search**

USPC D14/485-495; 345/1.1, 1.2, 2.1-2.3, 3.1, 345/902; 715/763, 810, 836, 837, 846, 715/847, 977; D10/39, 125-126
CPC G06F 3/048; G06F 3/0481; G06F 3/04812; G06F 3/04817; G06F 3/0482; G06F 3/0483; G06F 3/0484; G06F 3/04847; G06F 3/0485; G06F 3/04855; G06F 3/04886; G06Q 30/00; H03J 1/00; H03J 1/0008; H03J 1/0016; H03J 1/0025; H04N 5/00; H04N 5/08; H04N 5/14; H04N 5/222; H04N 5/225; H04N 5/232; H04N 5/445; H04N 5/44543; H04N 5/45; H04N 2005/44517; H04N 2005/44521; H04N 2005/44526; H04N 2005/4453; H04N

(Continued)

(56) **References Cited**

U.S. PATENT DOCUMENTS

D699,737 S * 2/2014 Pearson D14/486
D713,411 S * 9/2014 Gall D14/485

(Continued)

Primary Examiner — Cathron Brooks

Assistant Examiner — Christian P McLean

(74) *Attorney, Agent, or Firm* — Cantor Colburn LLP

(57) **CLAIM**

The ornamental design for a display screen or portion thereof with graphical user interface, as shown and described.

DESCRIPTION

FIG. 1 is a front view of a first embodiment of a display screen or portion thereof with graphical user interface showing our new design;

FIG. 2 is a front view of a second embodiment of a display screen or portion thereof with graphical user interface showing our new design;

FIG. 3 is a front view of a third embodiment of a display screen or portion thereof with graphical user interface showing our new design;

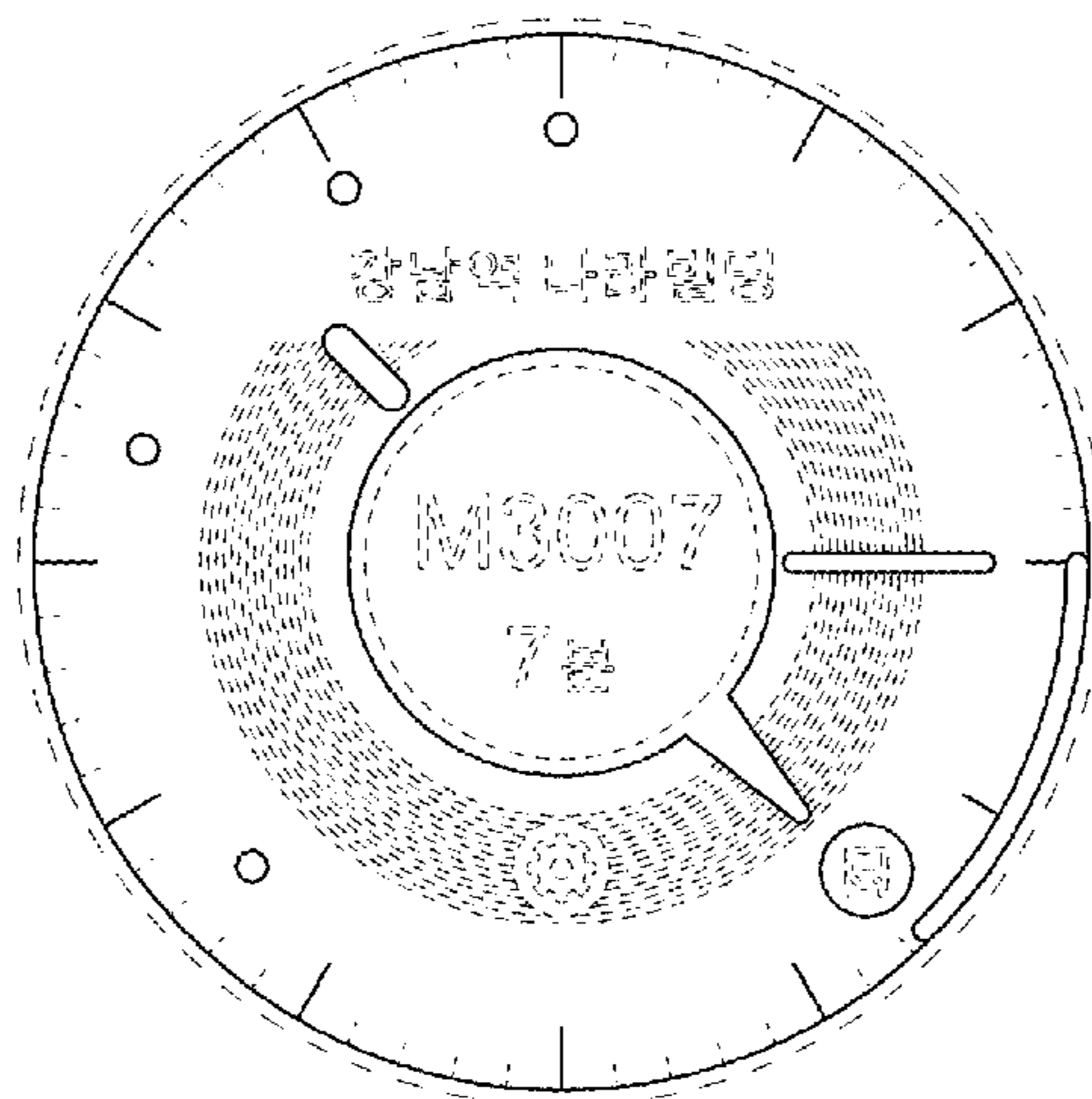
FIG. 4 is a front view of a fourth embodiment of a display screen or portion thereof with graphical user interface showing our new design;

FIG. 5 is a front view of a fifth embodiment of a display screen or portion thereof with graphical user interface showing our new design; and,

FIG. 6 is a front view of a sixth embodiment of a display screen or portion thereof with graphical user interface showing our new design.

The outermost broken line illustrates a display screen or portion thereof and form no part of the claimed design. The remaining broken lines, illustrating portions of the graphical user interface, form no part of the claimed design.

1 Claim, 6 Drawing Sheets



(58) **Field of Classification Search**

CPC 2005/44534; H04N 2005/44539; H04N
2005/44547; H04N 2005/44556; H04N
2005/4456; H04N 2005/44565; H04N
2005/44569; H04N 2005/44573; H04N
21/00; H04N 21/234; H04N 21/431;
H04N 21/4312; H04N 21/4314; H04N
21/4316

See application file for complete search history.

(56) **References Cited**

U.S. PATENT DOCUMENTS

D716,316 S *	10/2014	Behzadi	D14/485
D752,062 S *	3/2016	Forsblom	D14/485
D753,681 S *	4/2016	Lim	D14/485
D760,277 S *	6/2016	Park	D14/489
D760,285 S *	6/2016	Eder	D14/489
D761,297 S *	7/2016	Eder	D14/487
D763,289 S *	8/2016	Mistry	D14/486
D763,894 S *	8/2016	Lamparelli	D14/486
D764,497 S *	8/2016	Seo	D14/485
9,465,535 B2 *	10/2016	Tang	G06F 3/04886
D775,185 S *	12/2016	Anzures	D14/488
D778,952 S *	2/2017	Kim	D14/489
D786,915 S *	5/2017	Kim	D14/487
D788,120 S *	5/2017	Kennedy	D14/485
D788,154 S *	5/2017	Kim	D14/487

* cited by examiner

FIG. 1

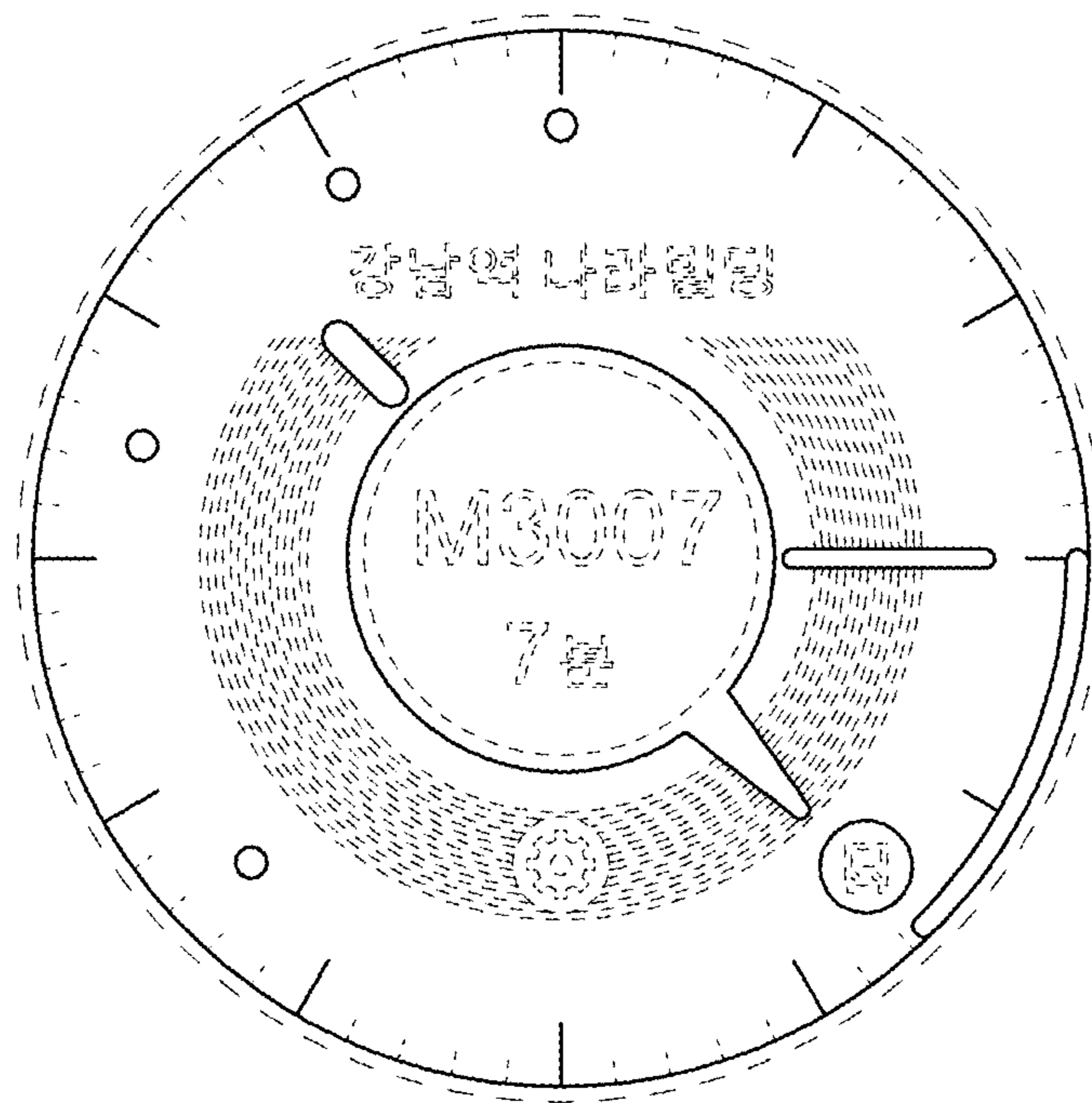


FIG. 2

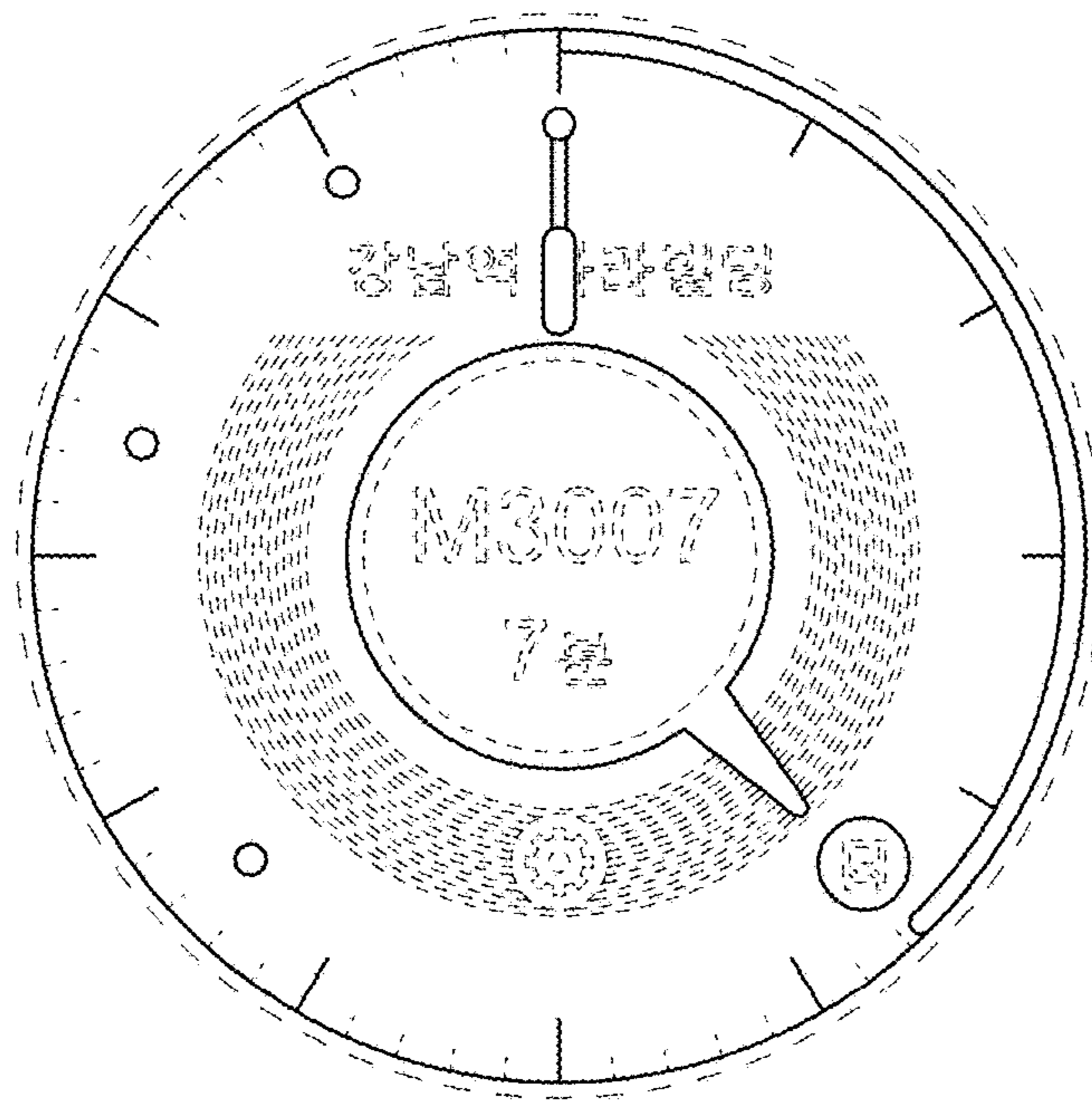


FIG. 3

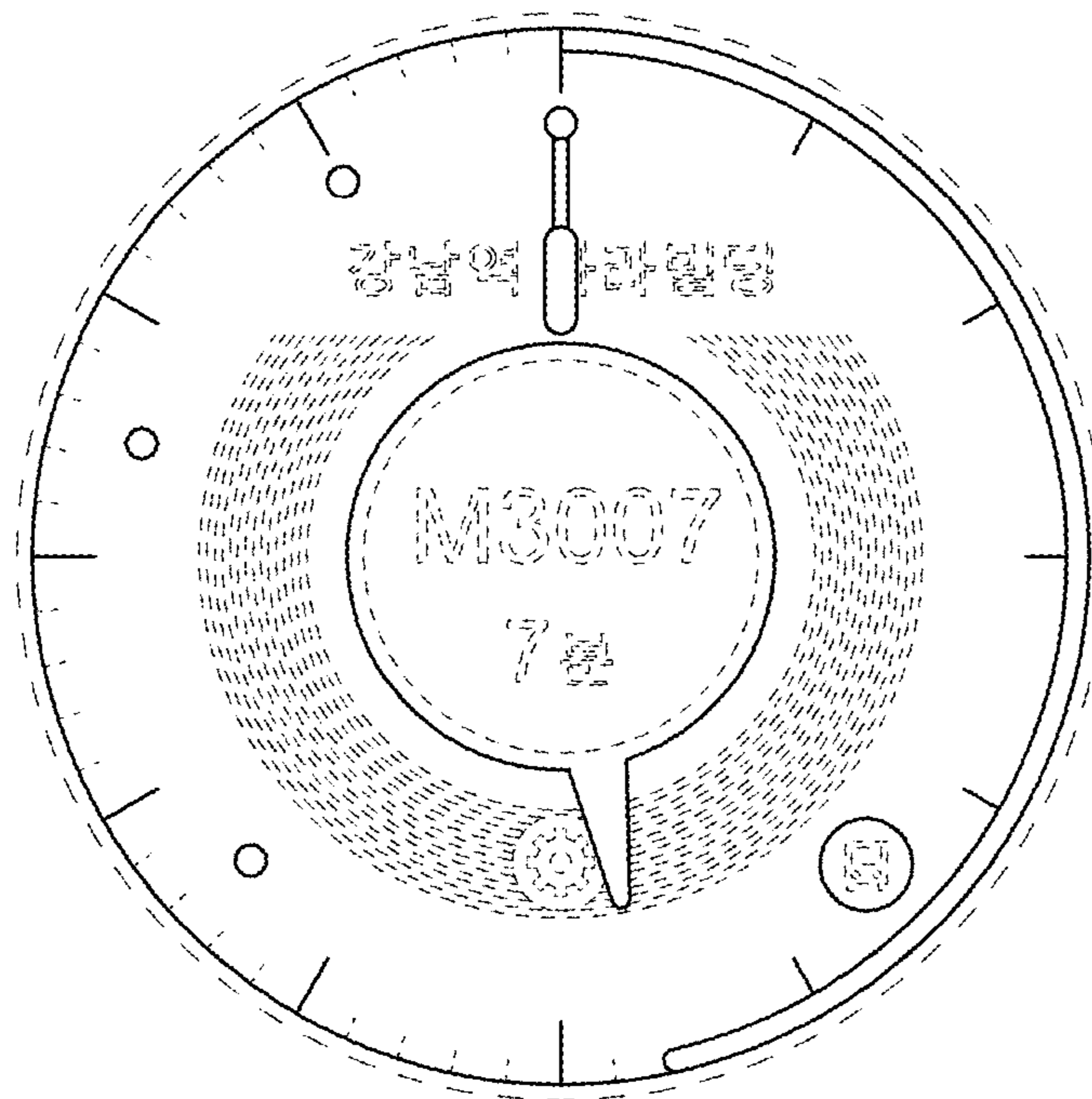


FIG. 4

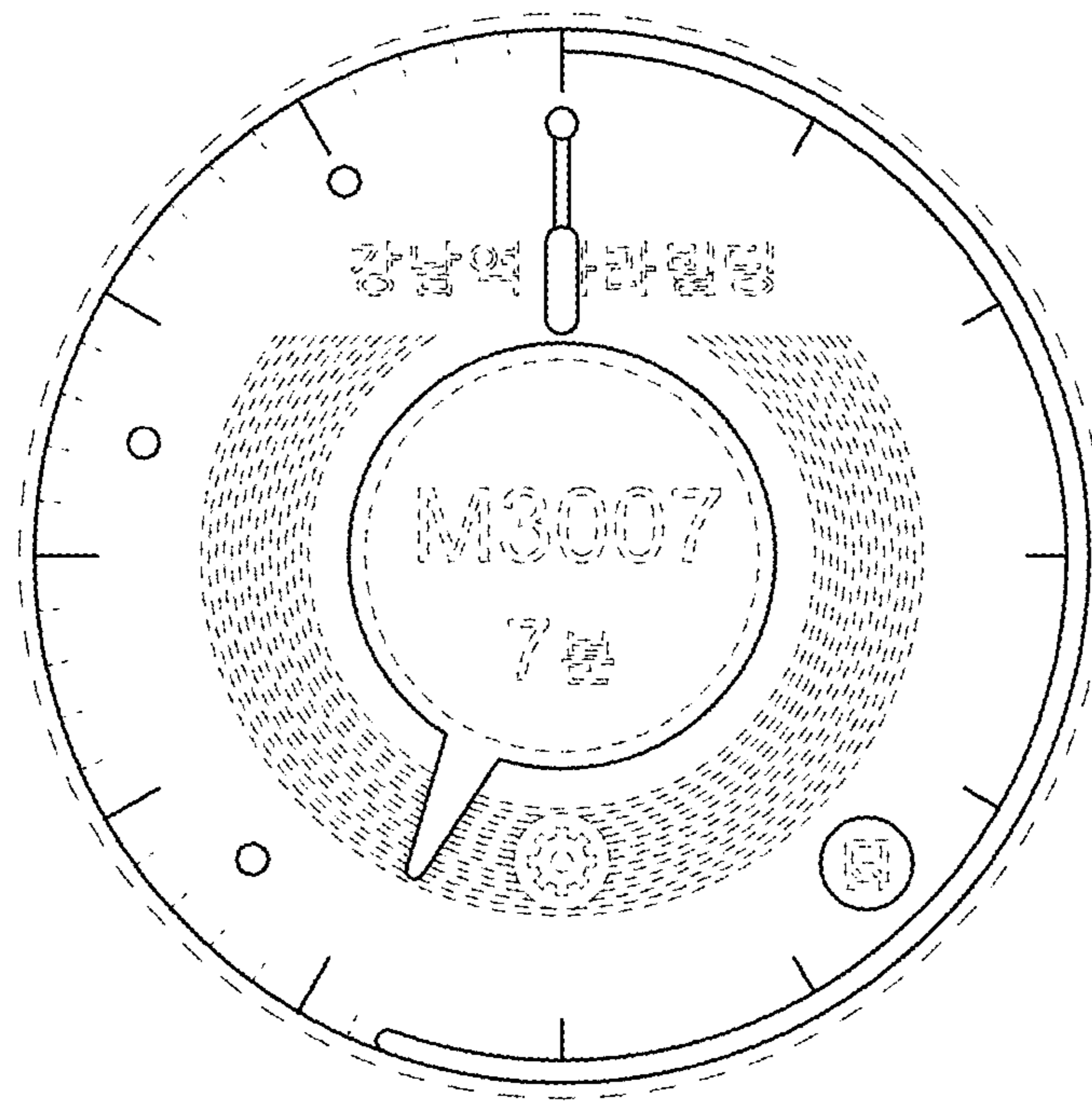


FIG. 5

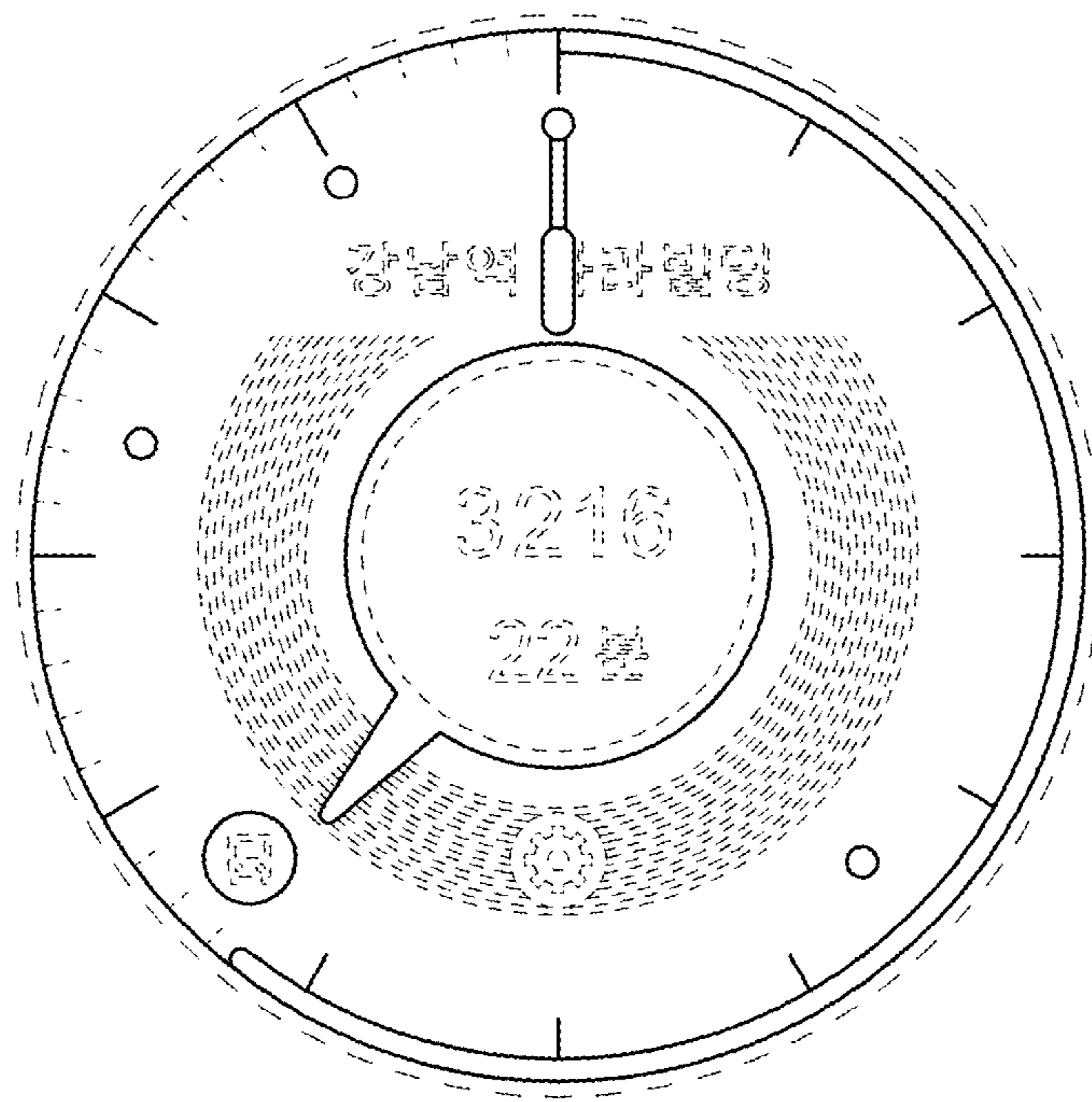


FIG. 6

