



US00D802008S

(12) **United States Design Patent** (10) **Patent No.:** **US D802,008 S**
Zhang et al. (45) **Date of Patent:** **** Nov. 7, 2017**

- (54) **PORTION OF A DISPLAY SCREEN WITH GRAPHICAL USER INTERFACE**
- (71) Applicant: **GD MIDEA AIR-CONDITIONING EQUIPMENT CO., LTD.**, Foshan (CN)
- (72) Inventors: **Zhe Zhang**, Foshan (CN); **Zhaozhong Ruan**, Foshan (CN); **Dongpei Bai**, Foshan (CN)
- (73) Assignee: **GD Midea Air-Conditioning Equipment Co., Ltd.**, Foshan (CN)
- (**) Term: **14 Years**
- (21) Appl. No.: **29/509,974**
- (22) Filed: **Nov. 24, 2014**
- (51) **LOC (10) Cl.** **14-04**
- (52) **U.S. Cl.**
USPC **D14/487**; D14/485
- (58) **Field of Classification Search**
USPC D14/485–495
CPC G06F 21/00; G06F 21/56; G06F 21/561; G06F 21/567; G06F 21/568; G06F 12/14; H04L 63/14; H04L 63/145
See application file for complete search history.

- (56) **References Cited**
U.S. PATENT DOCUMENTS
D591,305 S * 4/2009 Shimoda D14/485
D593,107 S * 5/2009 Shimoda D14/485
8,184,193 B2 * 5/2012 Yoshimi G06F 3/03547
348/333.05
D662,108 S * 6/2012 Okumura D14/487
8,547,466 B2 * 10/2013 Chao G06F 3/04883
348/333.01
9,098,180 B1 * 8/2015 Craig G06F 3/04847
9,122,383 B2 * 9/2015 Kamath G06F 3/04847
D740,301 S * 10/2015 Soegiono D14/485

- D741,898 S * 10/2015 Soegiono D14/488
- D743,992 S * 11/2015 Lee D14/487
- D758,422 S * 6/2016 Zhao D14/488
- D760,245 S * 6/2016 Birks D14/485
- D760,246 S * 6/2016 Birks D14/485
- D760,790 S * 7/2016 Ishii D14/494
- D761,801 S * 7/2016 Rickes D14/485
- D761,812 S * 7/2016 Motamedi D14/485
- D763,289 S * 8/2016 Mistry D14/486

(Continued)

Primary Examiner — Barbara Fox
Assistant Examiner — Kimberly Barnes
(74) *Attorney, Agent, or Firm* — Lathrop Gage LLP

(57) **CLAIM**

The ornamental design for a portion of a display screen with graphical user interface, as shown and described.

DESCRIPTION

FIG. 1 is a front view of a first embodiment of a portion of a display screen with graphical user interface showing our new design;

FIG. 2 is a front view of a second embodiment of a portion of a display screen with graphical user interface showing our new design;

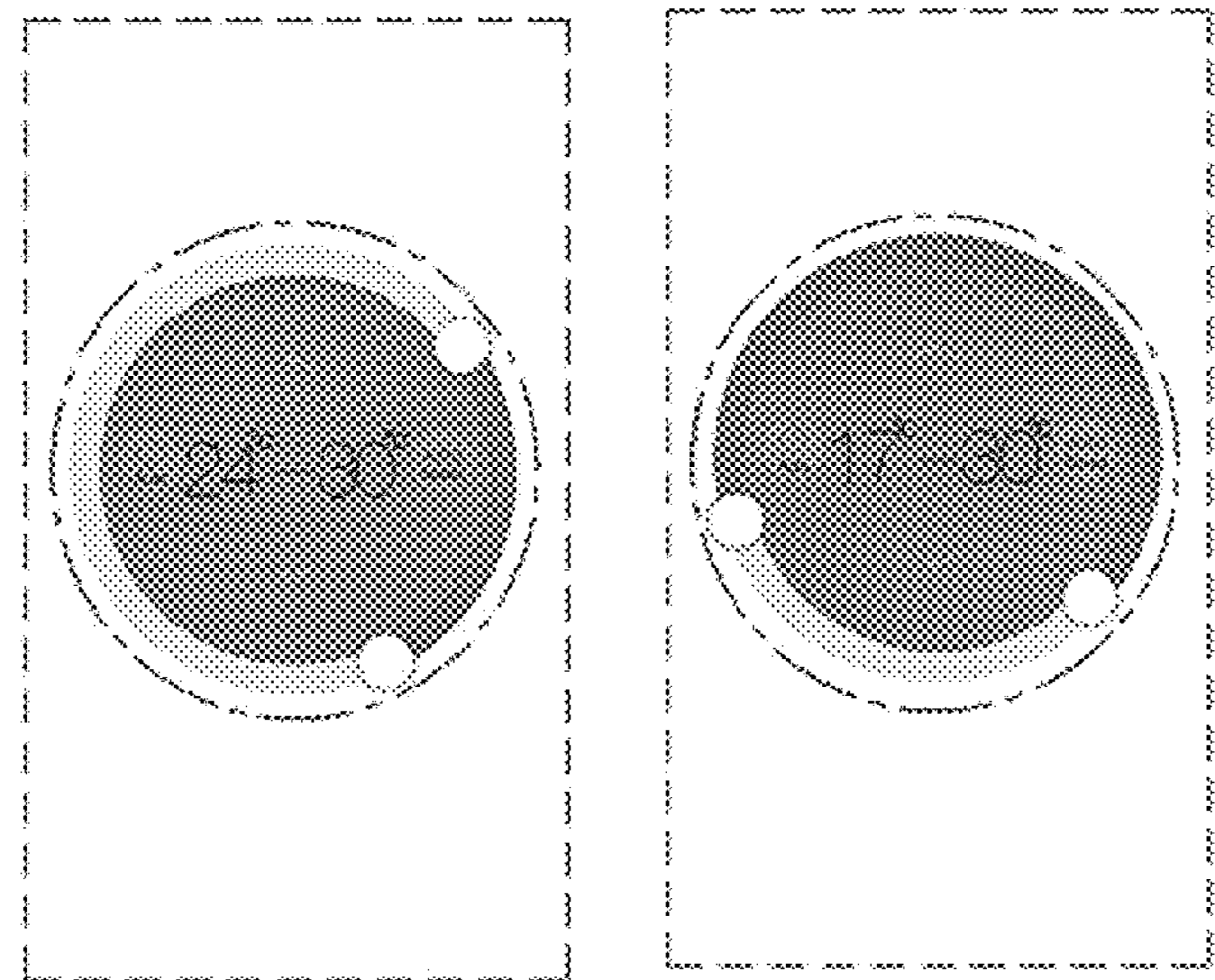
FIG. 3 is a front view of a third embodiment of a portion of a display screen with graphical user interface showing our new design;

FIG. 4 is a front view of a fourth embodiment of a portion of a display screen with graphical user interface showing our new design; and,

FIG. 5 is a front view of a fifth embodiment of a portion of a display screen with graphical user interface showing our new design.

The dash-dot lines in the drawings show the bounds of the claim and form no part of the claimed design. The evenly-spaced broken lines in the drawings show a portion of a display screen that forms no part of the claimed design.

1 Claim, 3 Drawing Sheets



(56)

References Cited

U.S. PATENT DOCUMENTS

9,423,952	B2 *	8/2016	Tamegai	G06F 3/0412
2007/0136679	A1 *	6/2007	Yang	H04N 5/44513 715/772
2010/0192104	A1 *	7/2010	Lee	G10H 1/46 715/834
2012/0131504	A1 *	5/2012	Fadell	F24F 11/0086 715/810
2013/0019182	A1 *	1/2013	Gil	G06F 3/0482 715/738
2013/0063380	A1 *	3/2013	Wang	G06F 3/04883 345/173
2015/0186003	A1 *	7/2015	Jong	G06F 3/0485 715/830
2015/0205509	A1 *	7/2015	Scriven	G04G 21/08 715/834
2015/0331589	A1 *	11/2015	Kawakita	G06F 1/163 715/834

* cited by examiner

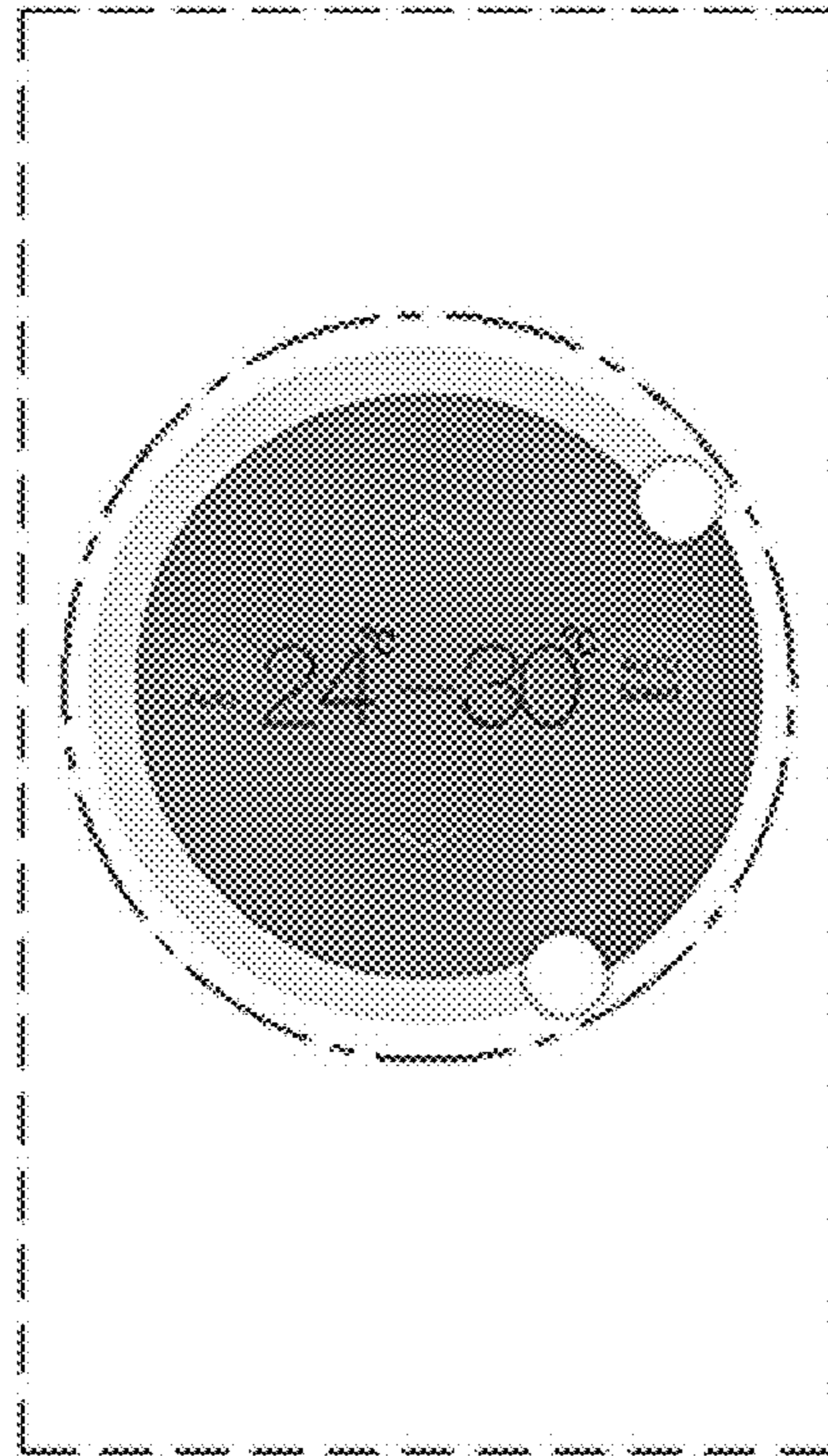


FIG. 1

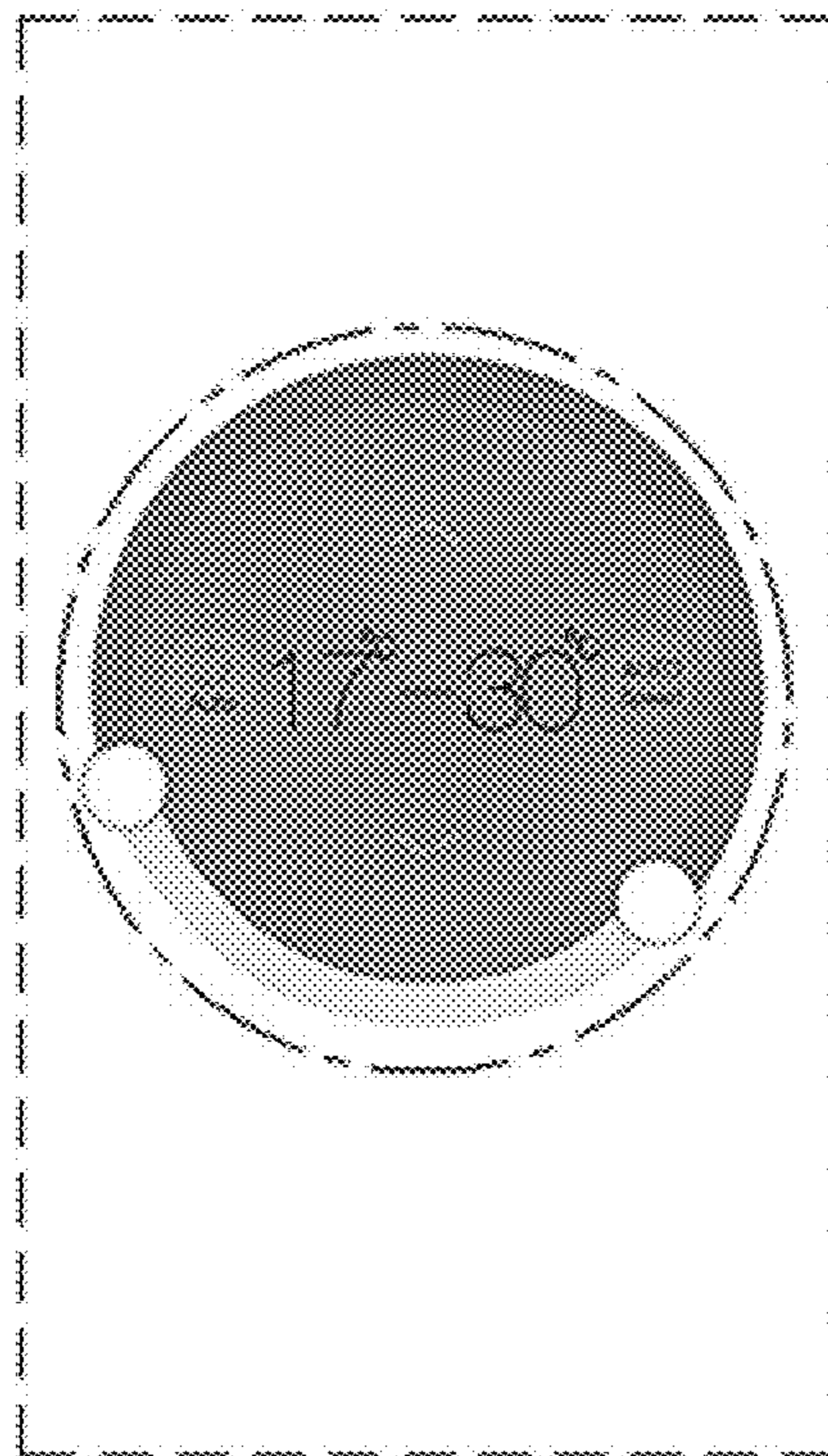


FIG. 2

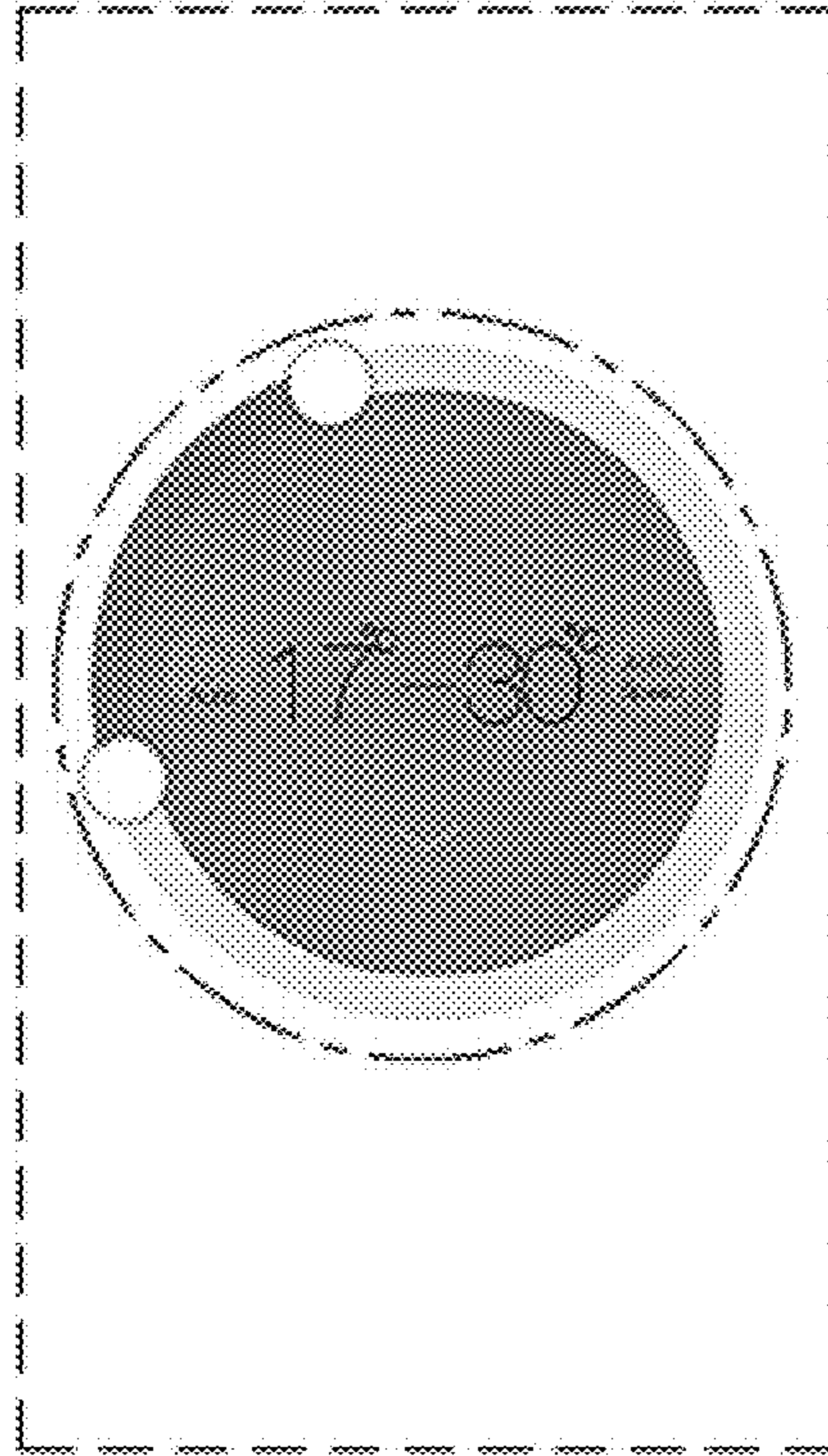


FIG. 3

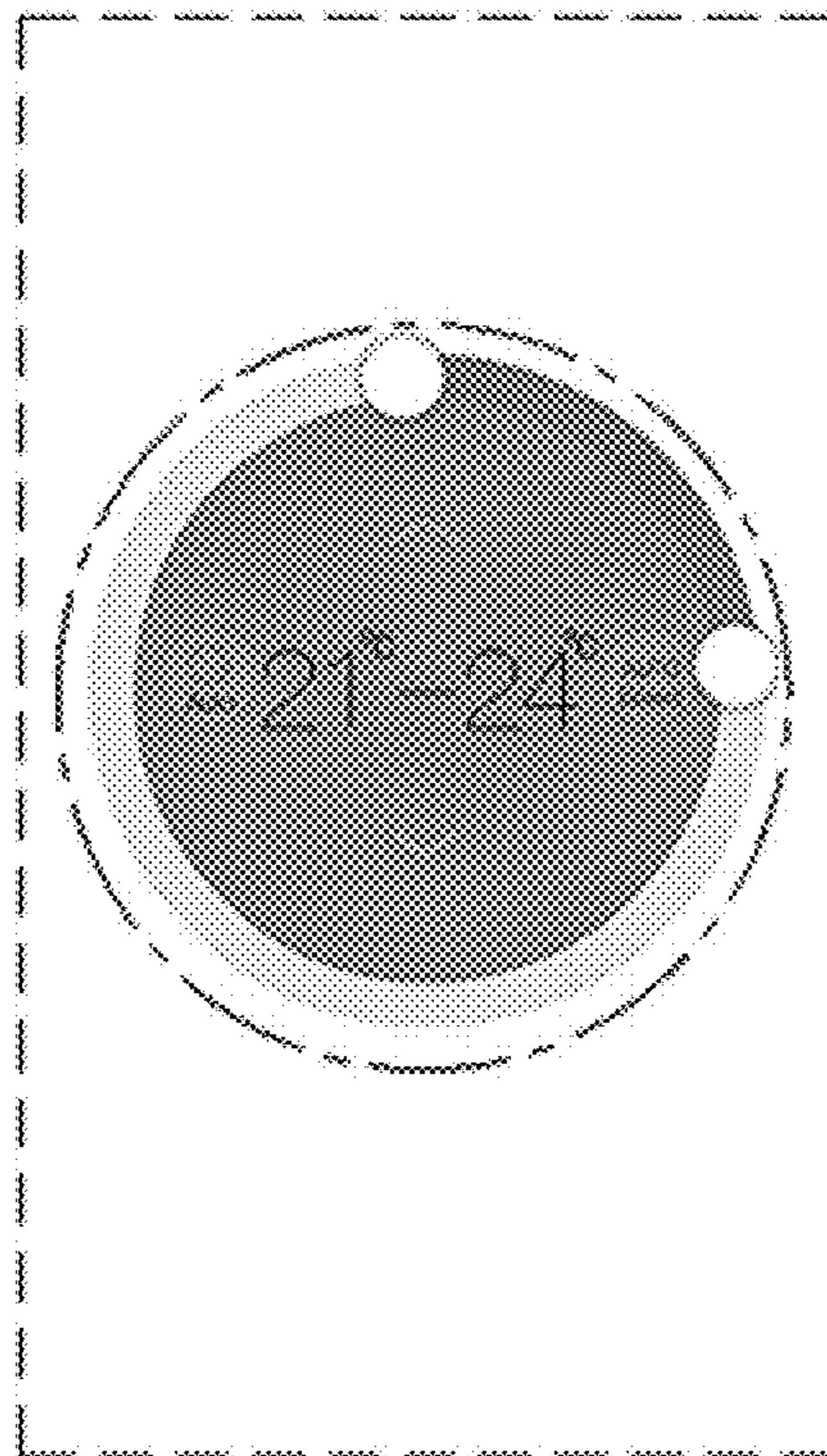


FIG. 4

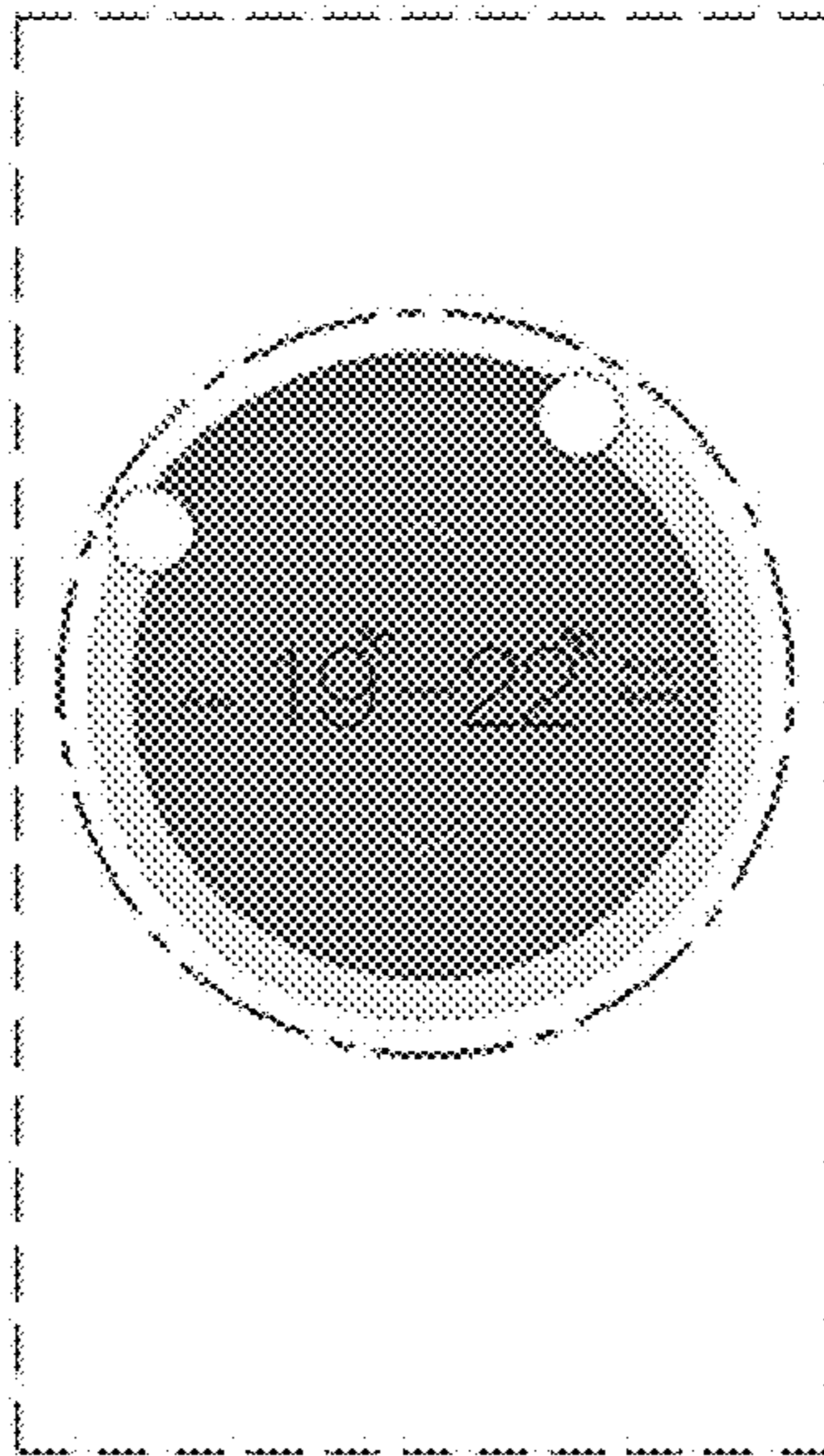


FIG. 5