



US00D801999S

(12) **United States Design Patent** (10) **Patent No.:** **US D801,999 S**
Hersh et al. (45) **Date of Patent:** **** Nov. 7, 2017**

(54) **DISPLAY SCREEN OR PORTION THEREOF WITH GRAPHICAL USER INTERFACE**

(71) Applicant: **Smule, Inc.**, San Francisco, CA (US)

(72) Inventors: **Benjamin Hersh**, San Francisco, CA (US); **John Shimmin**, San Francisco, CA (US); **Jeannie Yang**, San Francisco, CA (US); **Perry R. Cook**, Jacksonville, OR (US)

(73) Assignee: **Smule, Inc.**, San Francisco, CA (US)

(**) Term: **15 Years**

(21) Appl. No.: **29/566,079**

(22) Filed: **May 26, 2016**

Related U.S. Application Data

(63) Continuation-in-part of application No. 14/879,075, filed on Oct. 8, 2015, now abandoned.

(51) **LOC (10) Cl.** **14-04**

(52) **U.S. Cl.**
USPC **D14/486**

(58) **Field of Classification Search**
USPC D14/485-495
CPC .. G06F 3/0481; G06F 3/04817; G06F 3/0482;
G06F 3/0488; G06F 3/04883

See application file for complete search history.

(56) **References Cited**

U.S. PATENT DOCUMENTS

D474,197	S	*	5/2003	Nguyen	D14/486
D626,131	S	*	10/2010	Kruzeniski	D14/485
D650,793	S	*	12/2011	Impas	D14/489
D675,639	S	*	2/2013	Anzures	D14/487
D701,217	S	*	3/2014	Kim	D14/485
D703,689	S	*	4/2014	Kim	D14/486
D704,207	S	*	5/2014	Lee	D14/486
D726,221	S	*	4/2015	Gomez	D14/492
D727,938	S	*	4/2015	Lee	D14/486

9,055,410	B2	*	6/2015	Deshpande	H04W 4/08
D737,325	S	*	8/2015	Kim	D14/489
D737,854	S	*	9/2015	Kim	D14/489
D738,895	S	*	9/2015	Myoung	D14/486
9,172,867	B2	*	10/2015	Yoon	H04N 5/335
D752,061	S	*	3/2016	Ahn	D14/485
D753,132	S	*	4/2016	Cuthbert	D14/485
D756,401	S	*	5/2016	Soldner	D14/488
D759,061	S	*	6/2016	Sahoo	D14/485
D761,299	S	*	7/2016	Rajendran	D14/488
D762,655	S	*	8/2016	Kai	D14/485
D762,663	S	*	8/2016	Lee	D14/485
D762,673	S	*	8/2016	Seo	D14/485

(Continued)

OTHER PUBLICATIONS

Sing! Karaoke by Smule on Apple TV, by Smule, published Oct. 29, 2015, youtube.com [online], [retrived Jun. 7, 2017]. Available from internet <URL:https://www.youtube.com/watch?v=9VXGC3oGwxQ>.*

Primary Examiner — Cathron Brooks

Assistant Examiner — Andrew Nemeth

(74) *Attorney, Agent, or Firm* — Haynes and Boone, LLP

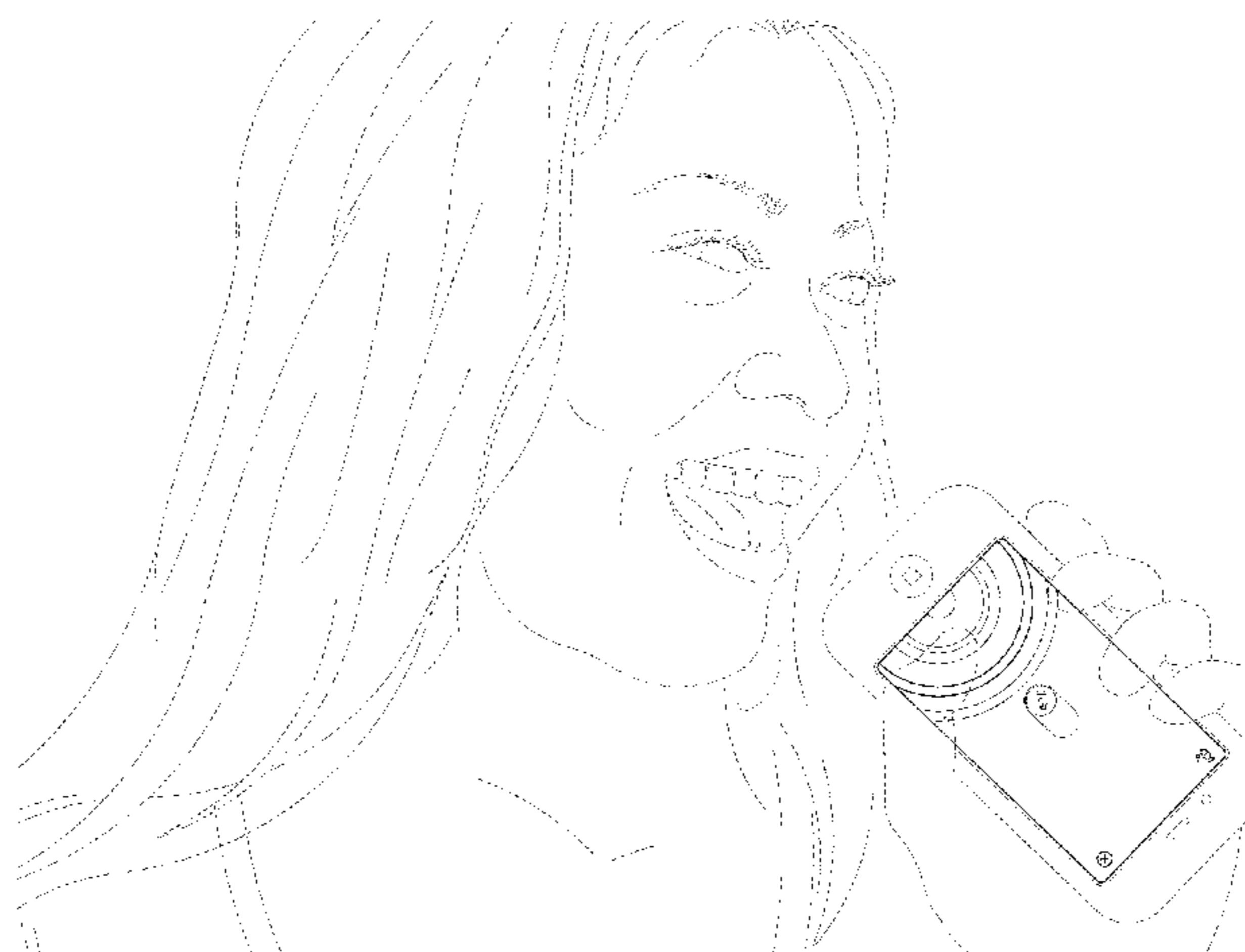
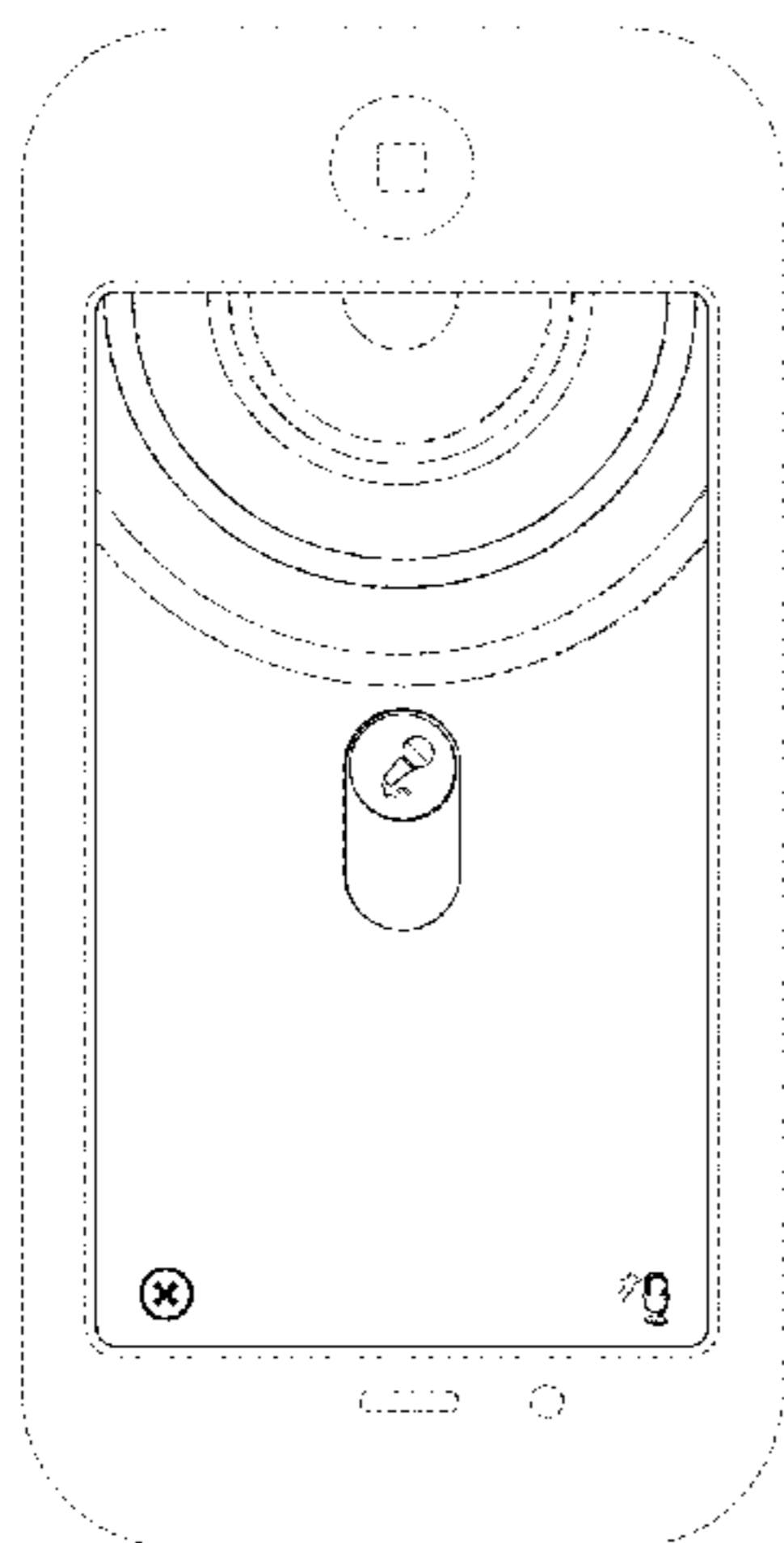
(57) **CLAIM**

The ornamental design for a display screen or portion thereof with graphical user interface, as shown and described.

DESCRIPTION

FIG. 1 is a front view of an image of a display screen or portion thereof with graphical user interface; and, FIG. 2 is a perspective view of an image of a display screen or portion thereof with graphical user interface. ps The broken line showing of an electronic device and display screen illustrate environmental structure and the article of manufacture, respectively. The broken line showing of a person in FIG. 2 illustrates environment. None of the broken lines form part of the claimed design.

1 Claim, 2 Drawing Sheets



(56)

References Cited

U.S. PATENT DOCUMENTS

D763,271 S * 8/2016 Everette D14/485
D763,861 S * 8/2016 Kaasalainen G06F 3/04817
D14/485
D763,869 S * 8/2016 Wang D14/485
D769,885 S * 10/2016 Zhu D14/485
D771,064 S * 11/2016 Nuovo D14/485
D771,639 S * 11/2016 Dellinger D14/485
D773,480 S * 12/2016 Zhou D14/485
D776,680 S * 1/2017 Bae D14/485
D778,923 S * 2/2017 Zhou D14/485
D779,516 S * 2/2017 Pierson D14/486
D780,772 S * 3/2017 Kim D14/485
D780,781 S * 3/2017 Ding D14/486
D783,633 S * 4/2017 Oh D14/485
D784,363 S * 4/2017 Fleming D14/485
D787,527 S * 5/2017 Wilberding D14/485
2010/0318366 A1 * 12/2010 Sullivan H04M 1/72519
704/275
2013/0174094 A1 * 7/2013 Heo G06F 3/04883
715/835
2015/0188720 A1 * 7/2015 Winter H04L 12/1813
715/753
2015/0193196 A1 * 7/2015 Lin G06F 3/165
715/716
2016/0011850 A1 * 1/2016 Sheen H04S 7/301
715/709
2017/0123755 A1 * 5/2017 Hersh G06F 3/165

* cited by examiner

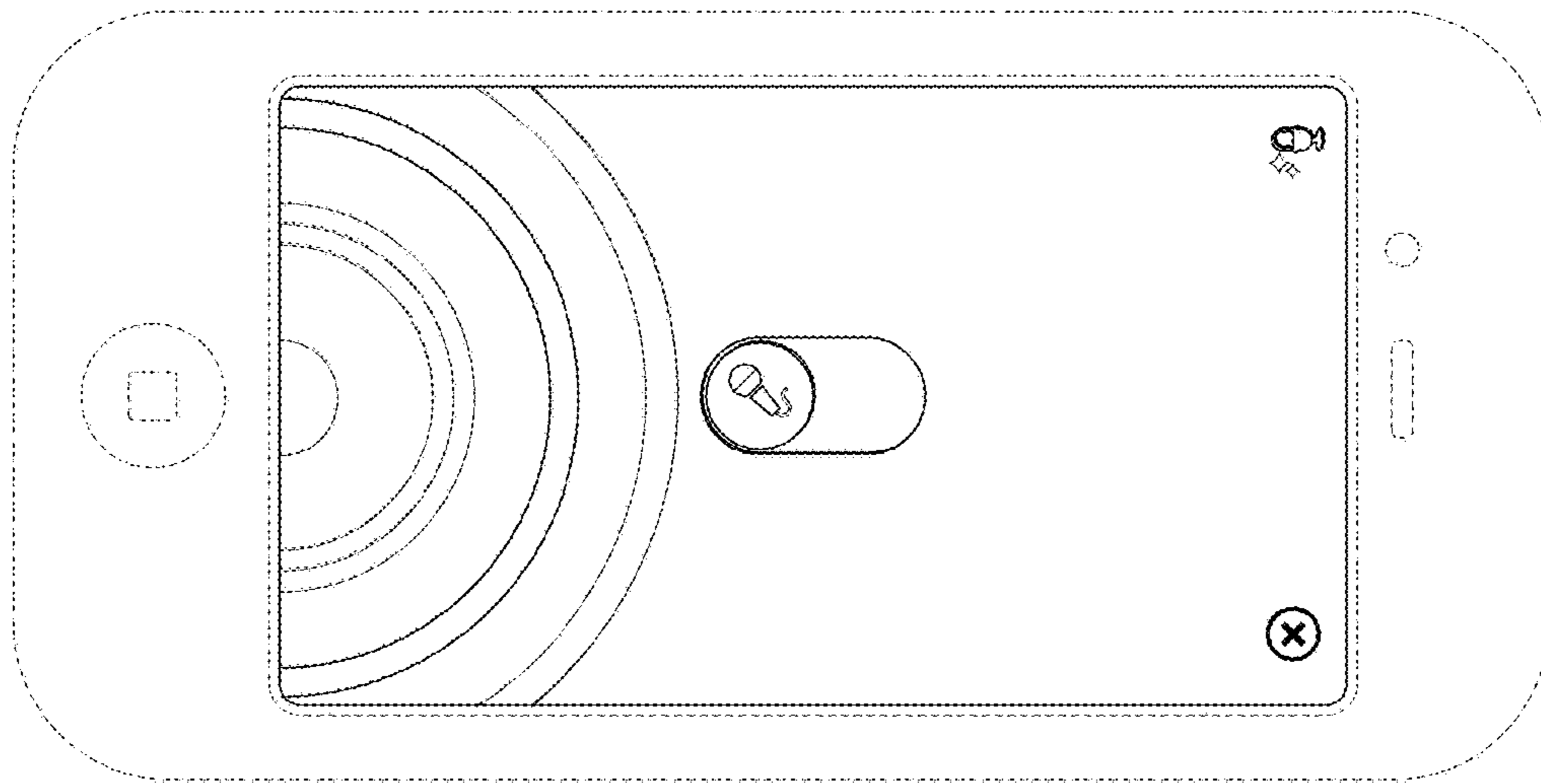


Fig. 1

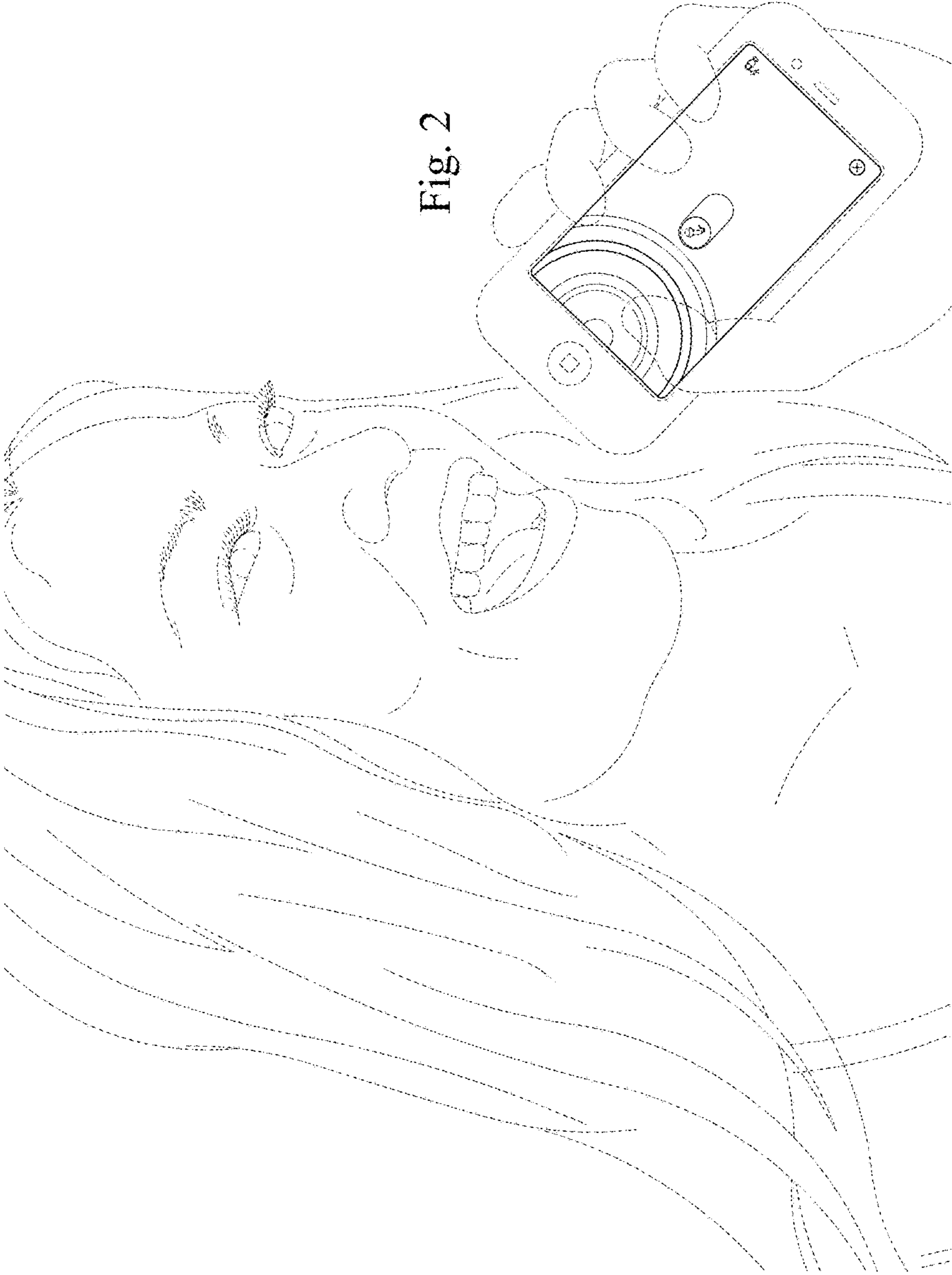


Fig. 2