



US00D801978S

(12) **United States Design Patent**
Danforth

(10) **Patent No.:** **US D801,978 S**

(45) **Date of Patent:** **** Nov. 7, 2017**

(54) **TABLET COMPUTER HOLDING FIXTURE**

(71) Applicant: **INNOV8 Customer Consulting and Solutions LLC**, Sammamish, WA (US)

(72) Inventor: **Jason Danforth**, Sammamish, WA (US)

(**) Term: **15 Years**

(21) Appl. No.: **29/577,297**

(22) Filed: **Sep. 12, 2016**

(51) **LOC (10) Cl.** **08-07**

(52) **U.S. Cl.**
USPC **D14/447**

(58) **Field of Classification Search**
USPC D14/447, 432, 434, 439, 440, 451, 452,
D14/457, 239; D8/363, 373, 380, 406.3,
D8/406.4, 406.5, 406.6; D12/415
CPC A47B 21/04; A47B 2097/006; A47B
2097/005; A47B 2023/049; A45C
2011/002; A45C 2011/003; F16M
2200/00; F16M 13/00

See application file for complete search history.

(56) **References Cited**

U.S. PATENT DOCUMENTS

D427,604 S * 7/2000 Rosen D14/447
D555,657 S * 11/2007 Loyd D14/452

D652,030 S * 1/2012 Dolack D14/239
D654,503 S * 2/2012 Sapper D14/452
D670,554 S * 11/2012 Bowman D8/363
D679,282 S * 4/2013 Liu D14/452
D709,896 S * 7/2014 McKinstry D14/447
D720,343 S * 12/2014 Nichols D14/253
D792,414 S * 7/2017 Floersch D14/447
D792,419 S * 7/2017 Shen D14/452

* cited by examiner

Primary Examiner — Angela J Lee

(74) *Attorney, Agent, or Firm* — Chhabra Law Firm, PC

(57) **CLAIM**

The ornamental design for a tablet computer holding fixture, as shown and described.

DESCRIPTION

FIG. 1 is a front, top, perspective view of a tablet computer holding fixture, illustrating the novel design.

FIG. 2 is an exploded view of the front, top, perspective view thereof.

FIG. 3 is a top view thereof.

FIG. 4 is a bottom view thereof.

FIG. 5 is a front view thereof.

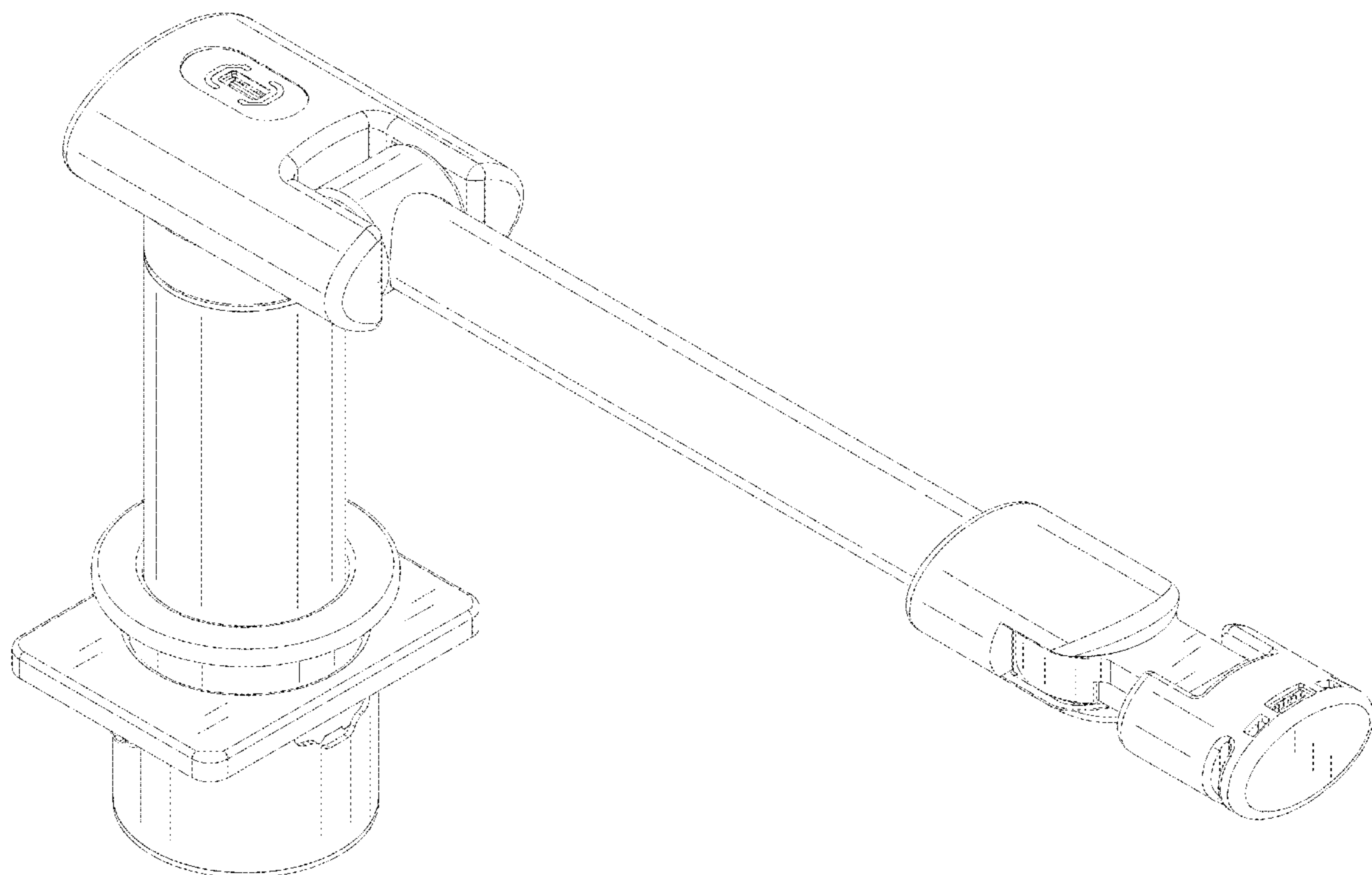
FIG. 6 is a rear view thereof.

FIG. 7 is a right side view thereof; and,

FIG. 8 is a left side view thereof.

The broken lines, if any, in the drawings depict unclaimed subject matter only and form no part of the claimed design.

1 Claim, 8 Drawing Sheets



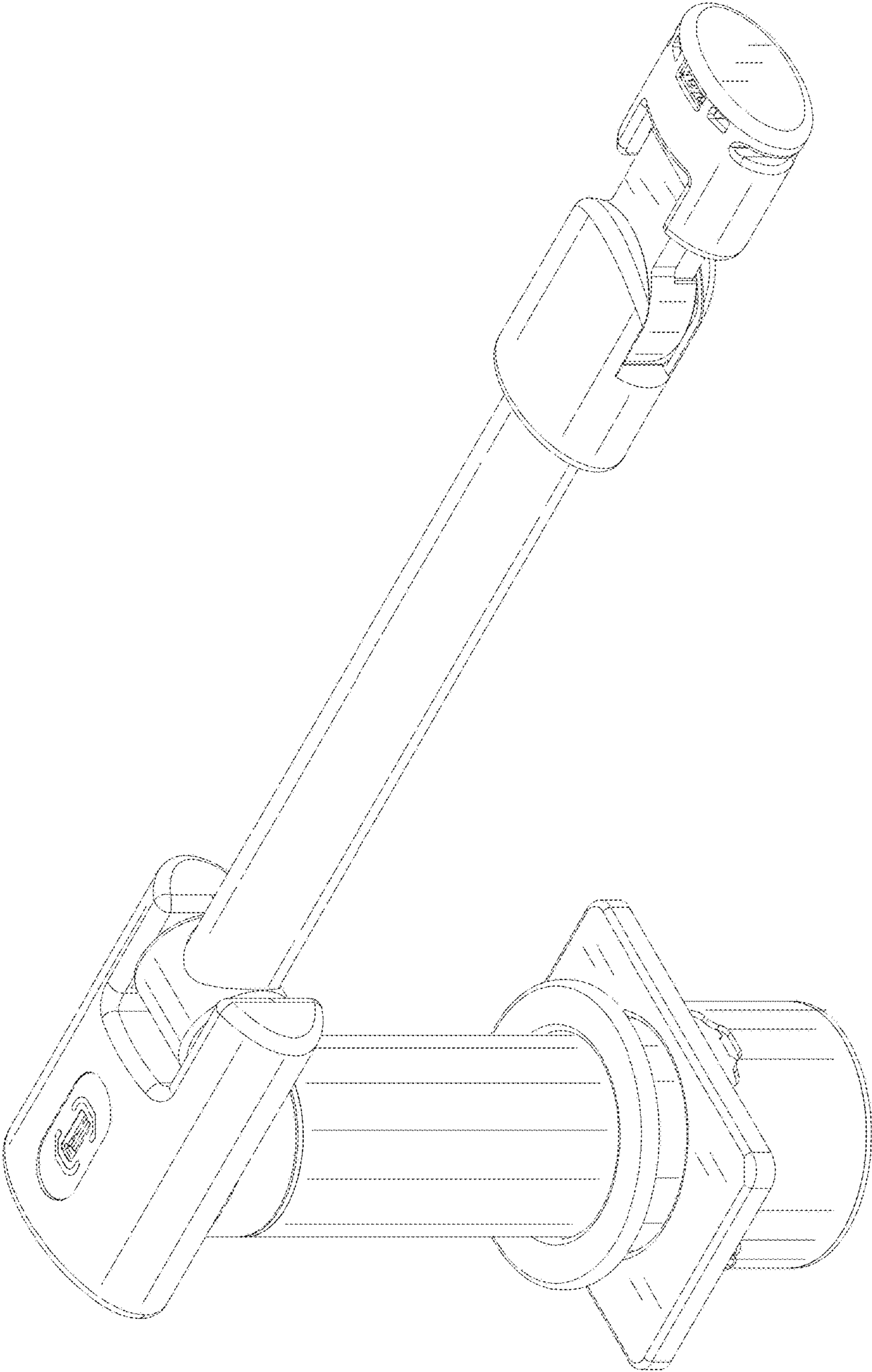


FIG. 1

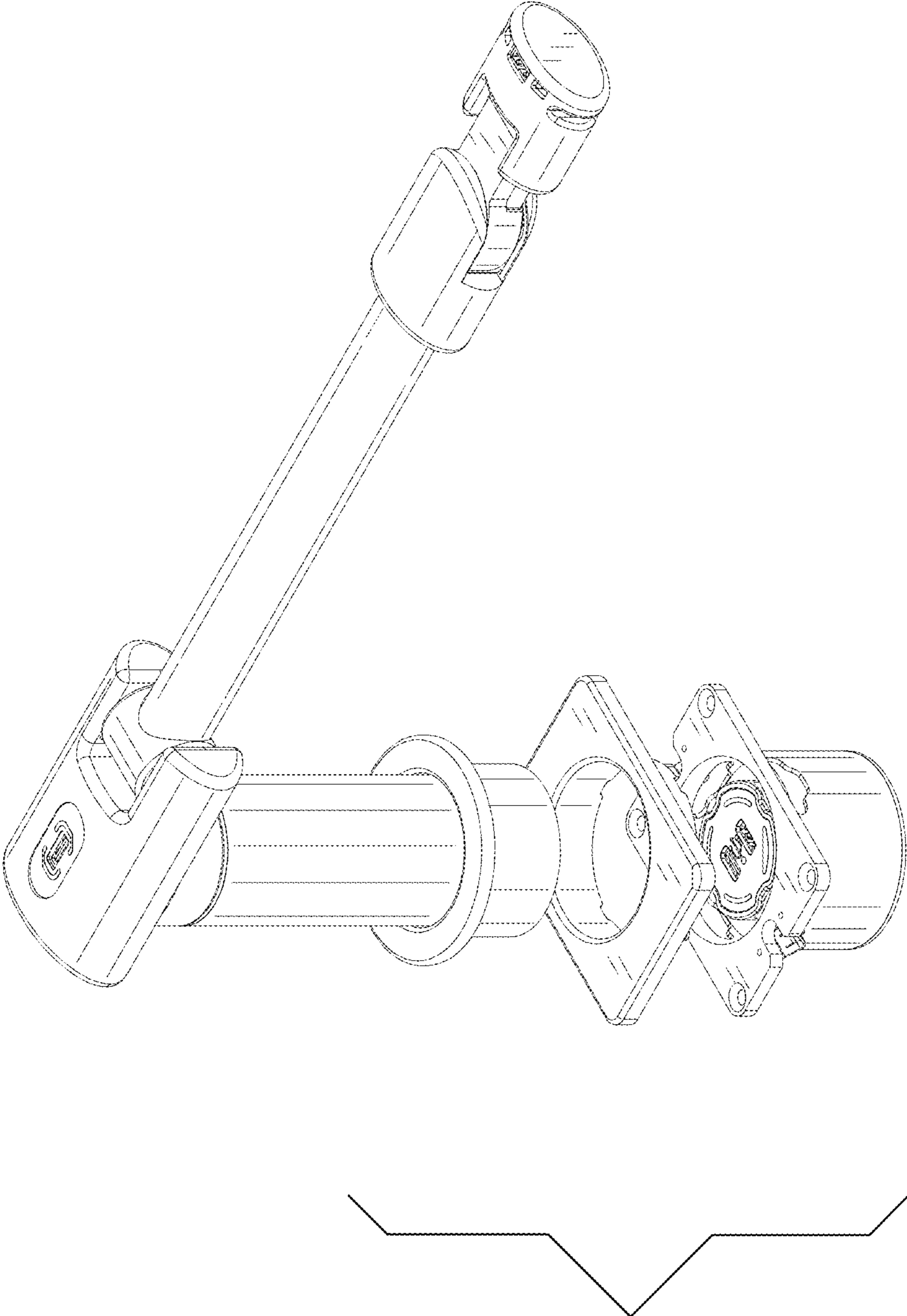


FIG. 2

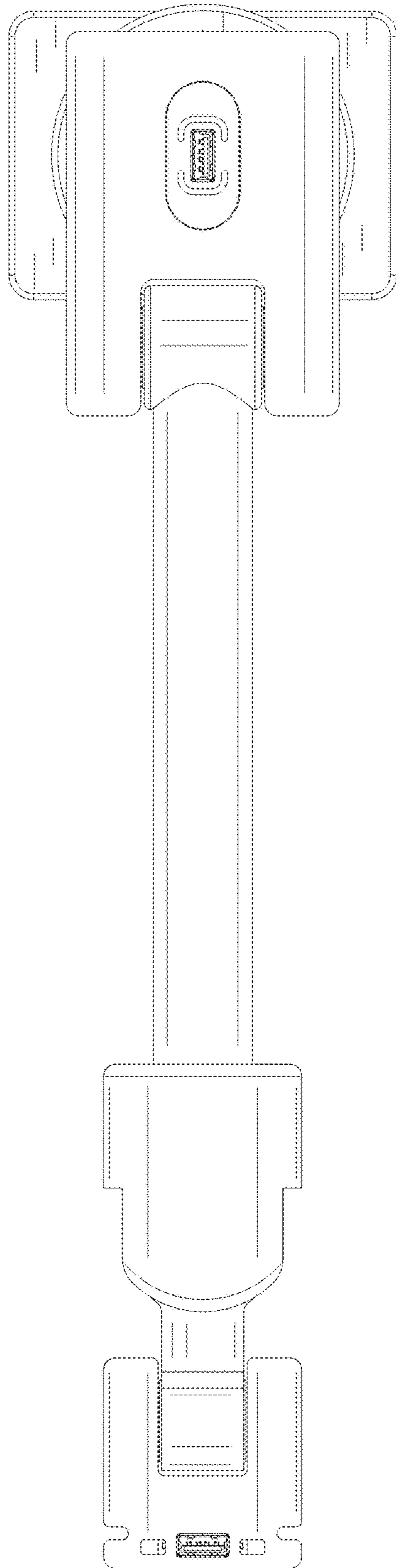


FIG. 3

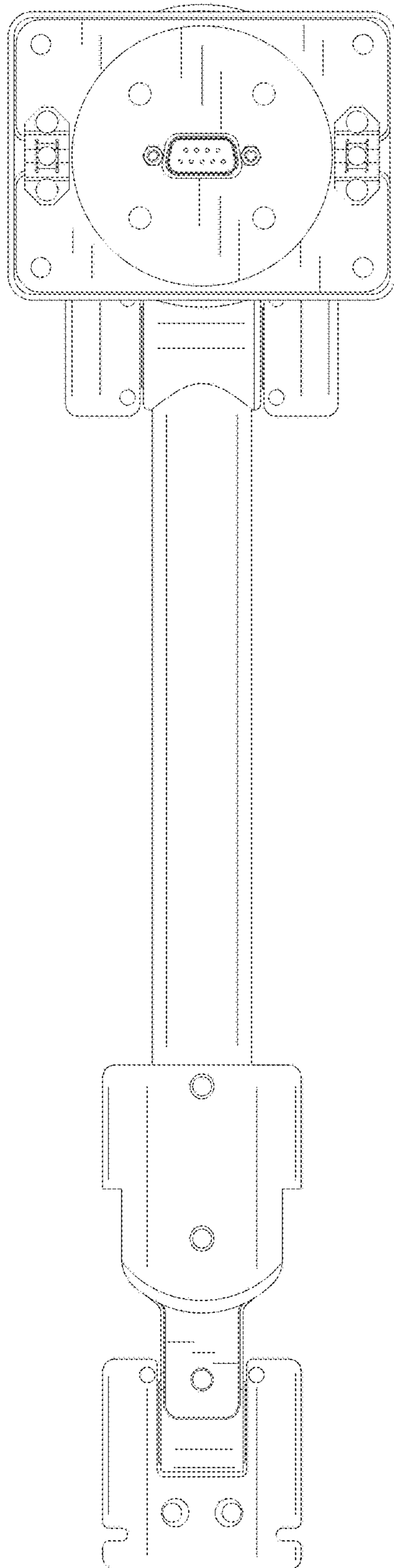


FIG. 4

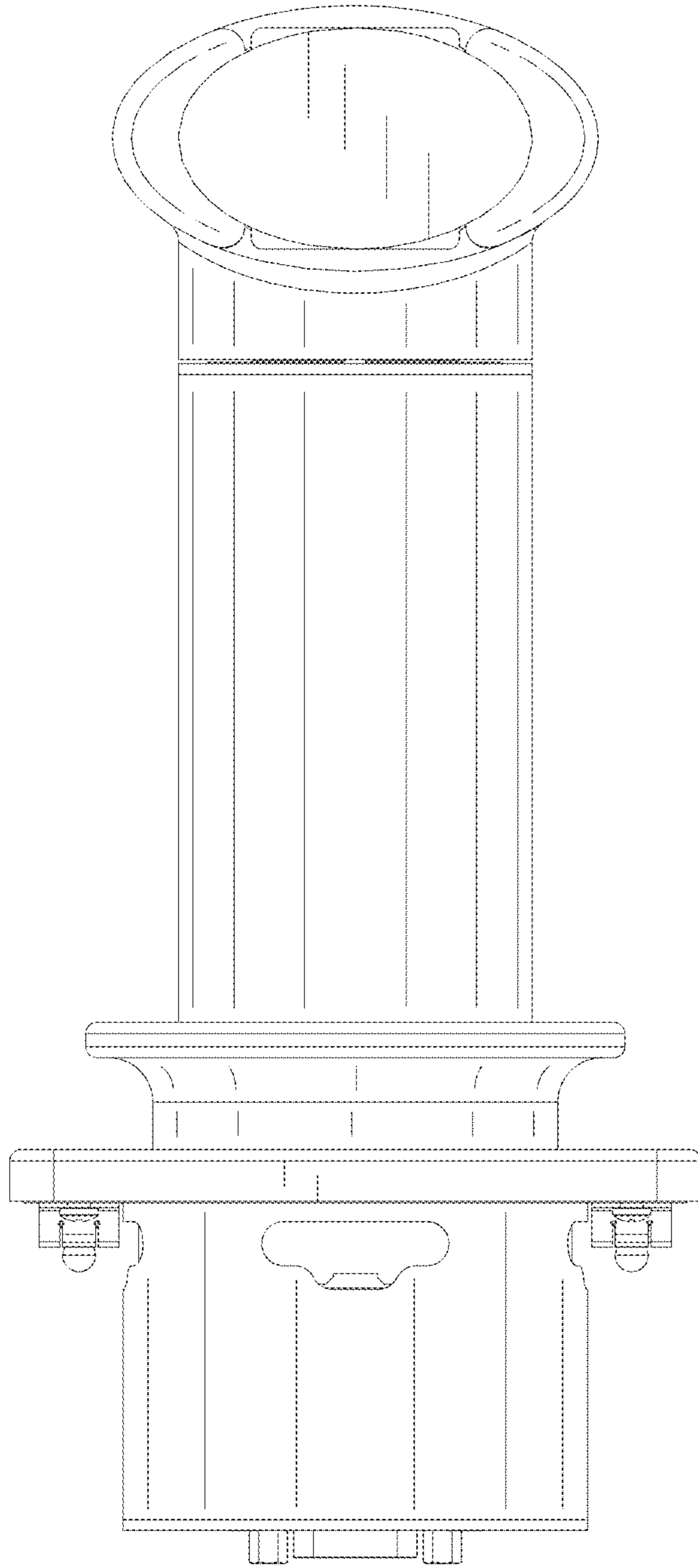
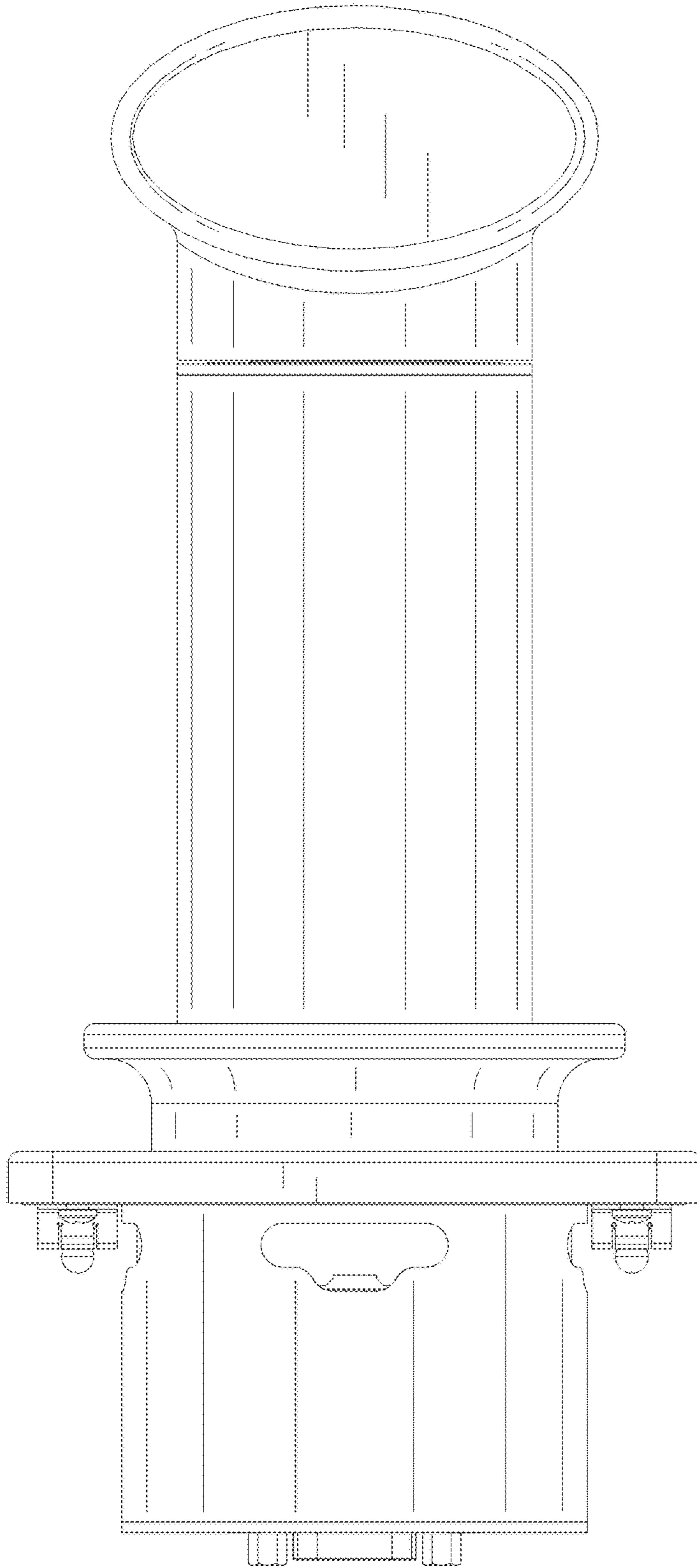


FIG. 5

FIG. 6



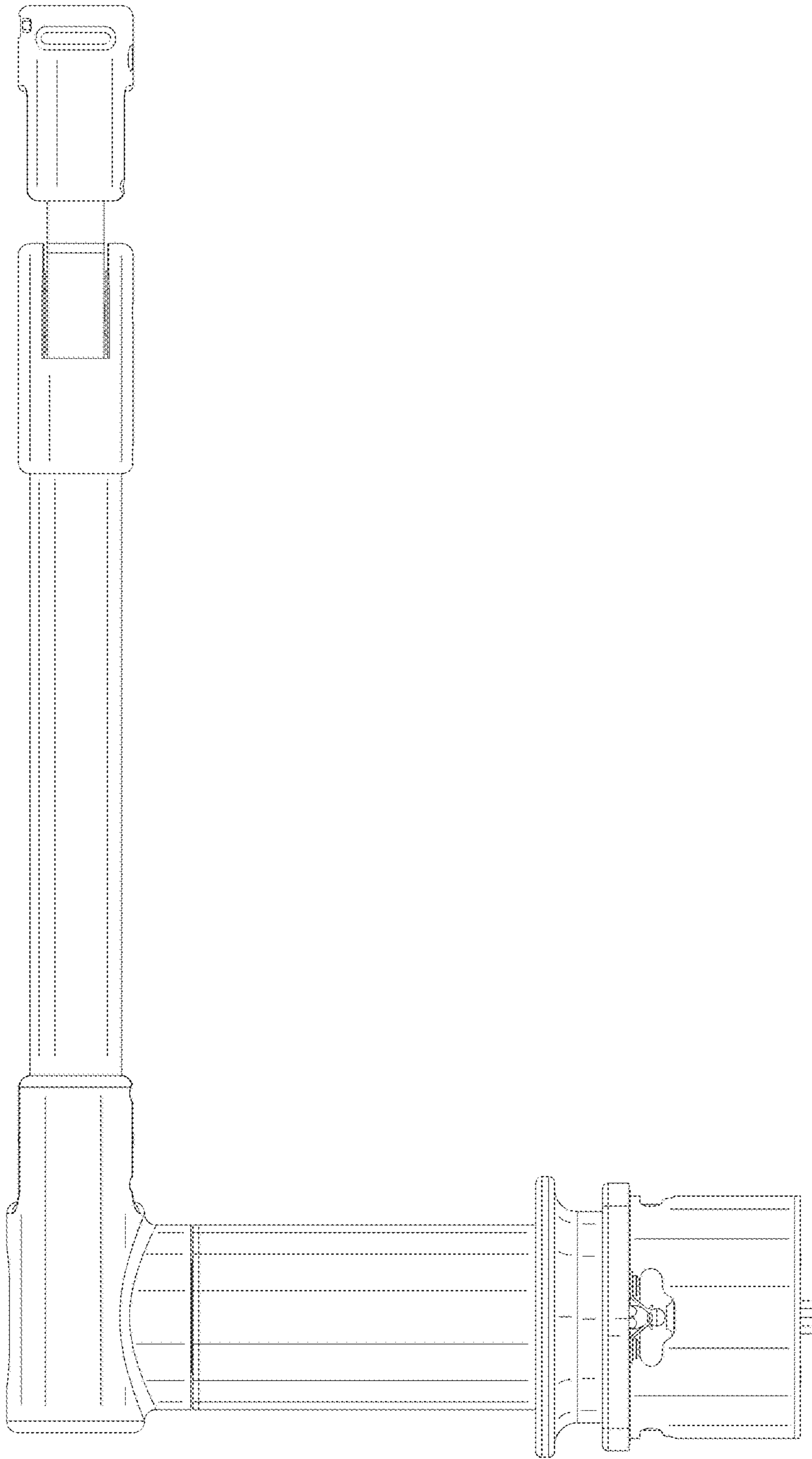


FIG. 7

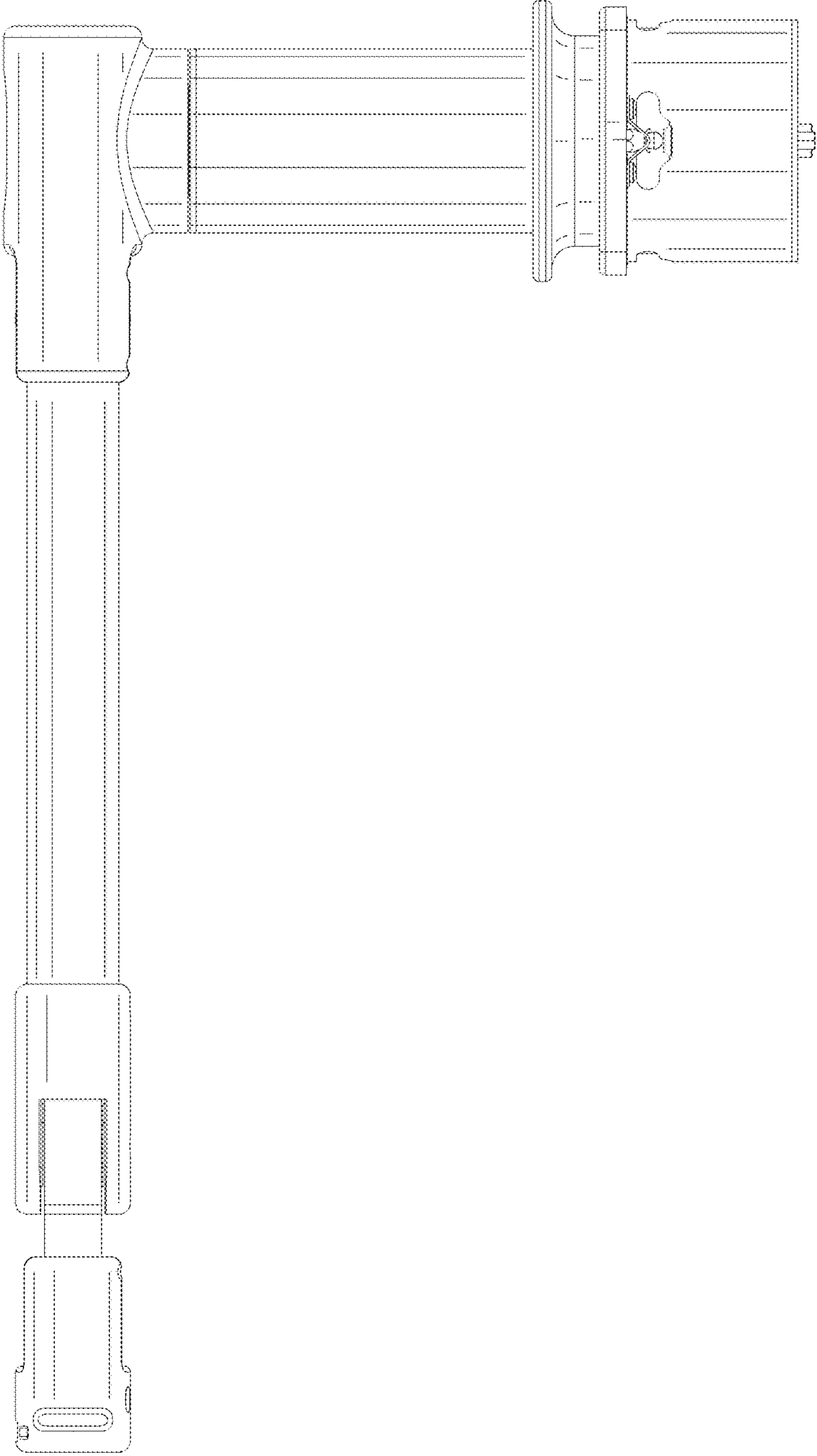


FIG. 8