



US00D801977S

(12) **United States Design Patent** (10) **Patent No.:** **US D801,977 S**
Crisp et al. (45) **Date of Patent:** **** Nov. 7, 2017**

(54) **INFORMATION HANDLING SYSTEM BEZEL**

7/00; H05H 7/20; G11B 33/126; G11B 33/128; G11B 33/08; G11B 33/02

(71) Applicant: **Dell Products L.P.**, Round Rock, TX (US)

See application file for complete search history.

(72) Inventors: **Richard A. Crisp**, Austin, TX (US);
Scott C. Lauffer, Austin, TX (US);
Mark Gilson, Austin, TX (US); **Bryan K. Hunter**, Round Rock, TX (US);
Jared Mockler, Olathe, KS (US)

(56) **References Cited**

U.S. PATENT DOCUMENTS

D398,601 S *	9/1998	Fu	D14/444
D408,390 S *	4/1999	Liu	D14/446
D576,167 S *	9/2008	Dearborn	D14/444
D593,101 S *	5/2009	Alfonso	D14/313

(73) Assignee: **Dell Products L.P.**, Round Rock, TX (US)

* cited by examiner

(**) Term: **15 Years**

Primary Examiner — Freda S Nunn

(21) Appl. No.: **29/575,181**

(74) *Attorney, Agent, or Firm* — Terrile, Cannatti, Chambers & Holland, LLP; Robert W. Holland

(22) Filed: **Aug. 23, 2016**

(57) **CLAIM**

(51) **LOC (10) Cl.** **14-02**

The ornamental design for an information handling system bezel, as shown and described.

(52) **U.S. Cl.**

USPC **D14/444**

DESCRIPTION

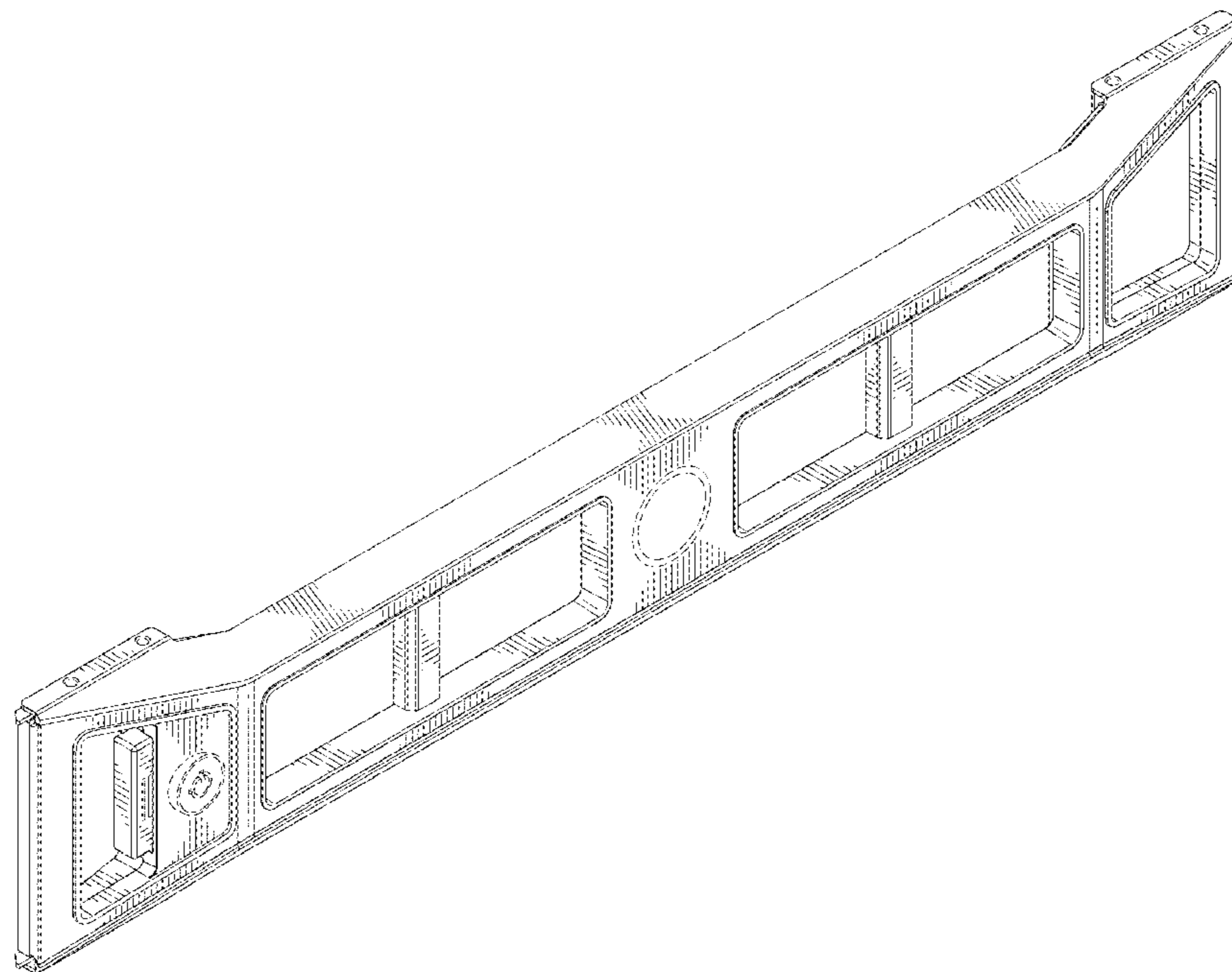
(58) **Field of Classification Search**

USPC D14/240, 300, 301, 308, 313, 314, D14/348-356, 364-368, 441-446, 188; D13/123, 158, 162, 184, 199; 312/223.1-223.3, 351.11; 360/99.01-99.12; 369/34.01-36.01; 361/679.31-679.33, 679.37, 679.39, 361/679.46, 679.53, 679.4, 679.41, 727
CPC . G06F 1/20; G06F 1/181; G06F 1/187; G06F 1/183; G06F 1/184; G06F 1/16; H05K 7/16; H05K 7/1424; H05K 7/1409; H05K 7/20; H05K 7/20545; H05K 7/20727; H05K 7/1425; H05K 7/1488; H05K 7/183; H05K 7/14; H05K 5/00; H05K

FIG. 1 is a front right perspective view of the information handling system bezel comprising the present invention; FIG. 2 is a front view thereof; FIG. 3 is a rear view thereof; FIG. 4 is a right side view thereof; FIG. 5 is a left side view thereof; FIG. 6 is a top view thereof; and, FIG. 7 is a bottom view thereof.

Broken lines shown in the drawings illustrate portions of the information handling system bezel, and form no part of the claimed design.

1 Claim, 3 Drawing Sheets



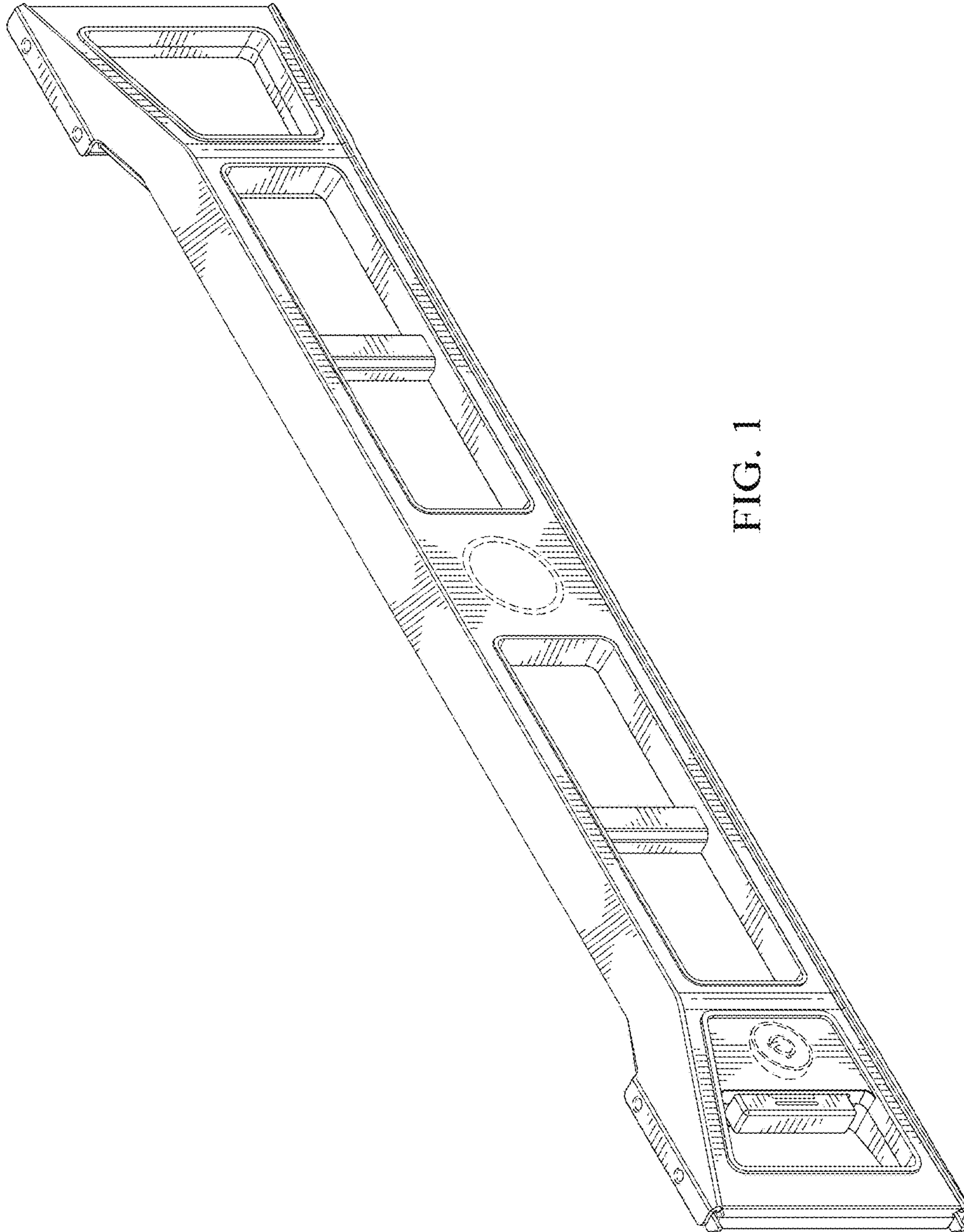


FIG. 1

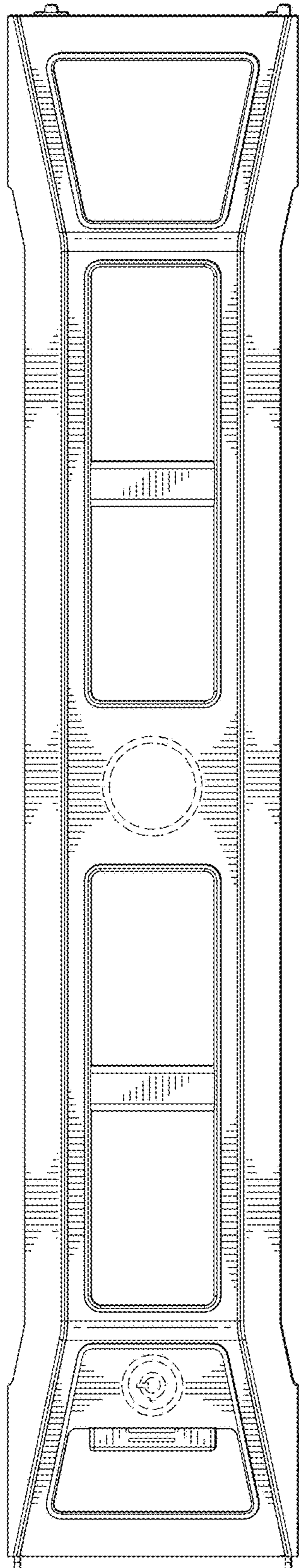


FIG. 2

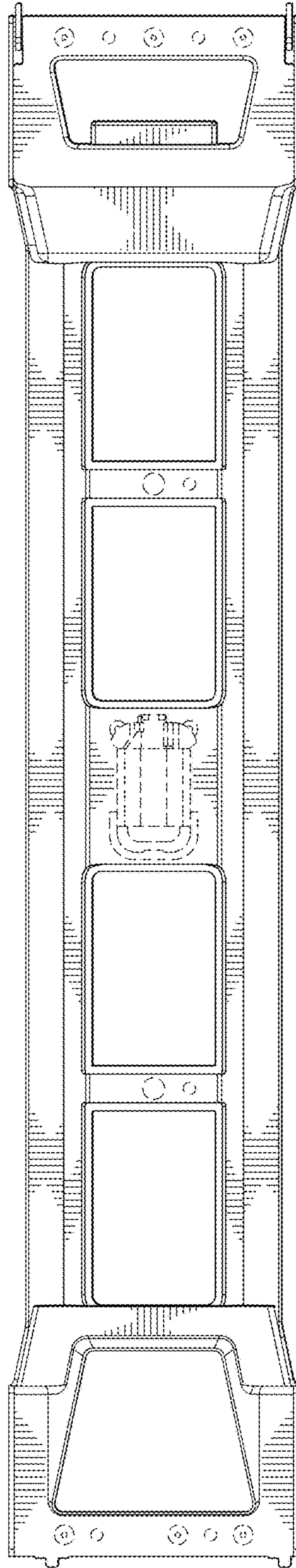


FIG. 3

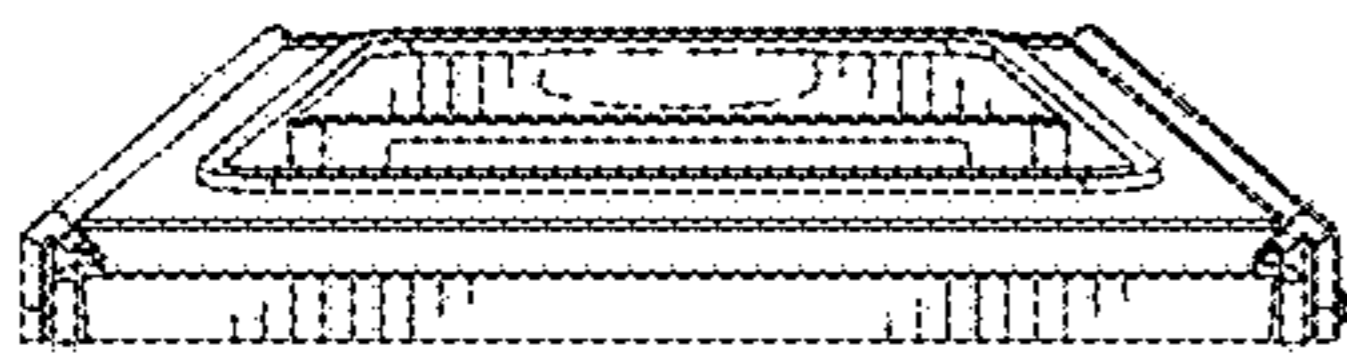


FIG. 4

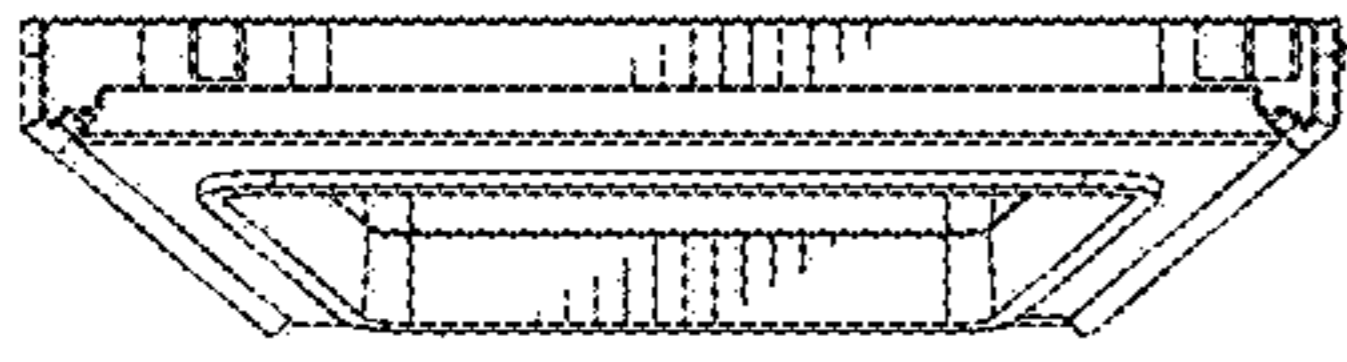


FIG. 5



FIG. 6

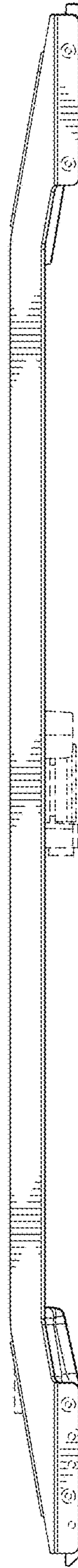


FIG. 7