

US00D801976S

(12) **United States Design Patent** (10) **Patent No.:** **US D801,976 S**
Li (45) **Date of Patent:** **** Nov. 7, 2017**

(54) **EXPANSION DEVICE OF RUGGED TABLET**

(71) Applicant: **GETAC TECHNOLOGY CORPORATION**, Hsinchu County (TW)

(72) Inventor: **Chun-Hsing Li**, New Taipei (TW)

(73) Assignee: **Getac Technology Corporation**, Hsinchu County (TW)

(**) Term: **15 Years**

(21) Appl. No.: **29/556,574**

(22) Filed: **Mar. 1, 2016**

(51) **LOC (10) Cl.** **14-02**

(52) **U.S. Cl.**
USPC **D14/440**

(58) **Field of Classification Search**
USPC 55/440, 250, 447; 206/45.23, 320, 45.2; 361/679.55; 294/25; 224/218; D14/440
CPC ... G06F 1/1628; G06F 1/1626; A47B 23/044; H04B 1/3888
See application file for complete search history.

(56) **References Cited**

U.S. PATENT DOCUMENTS

D597,052 S *	7/2009	Kim	D14/138 AB
D649,144 S *	11/2011	Fathollahi	D14/250
D694,759 S *	12/2013	Chang	D14/440
D721,703 S *	1/2015	Han	D14/402
D724,093 S *	3/2015	Dong	D14/440

D725,116 S *	3/2015	Li	D14/440
D763,840 S *	8/2016	Hwang	D14/250
D766,907 S *	9/2016	Veltz	D14/440
D770,458 S *	11/2016	Corcoran	D14/440
D786,853 S *	5/2017	Friedland	D14/250
D787,497 S *	5/2017	Friedland	D14/250
D789,937 S *	6/2017	Zhang	D14/440
D792,886 S *	7/2017	Schwibner	D14/440

* cited by examiner

Primary Examiner — Cynthia Underwood

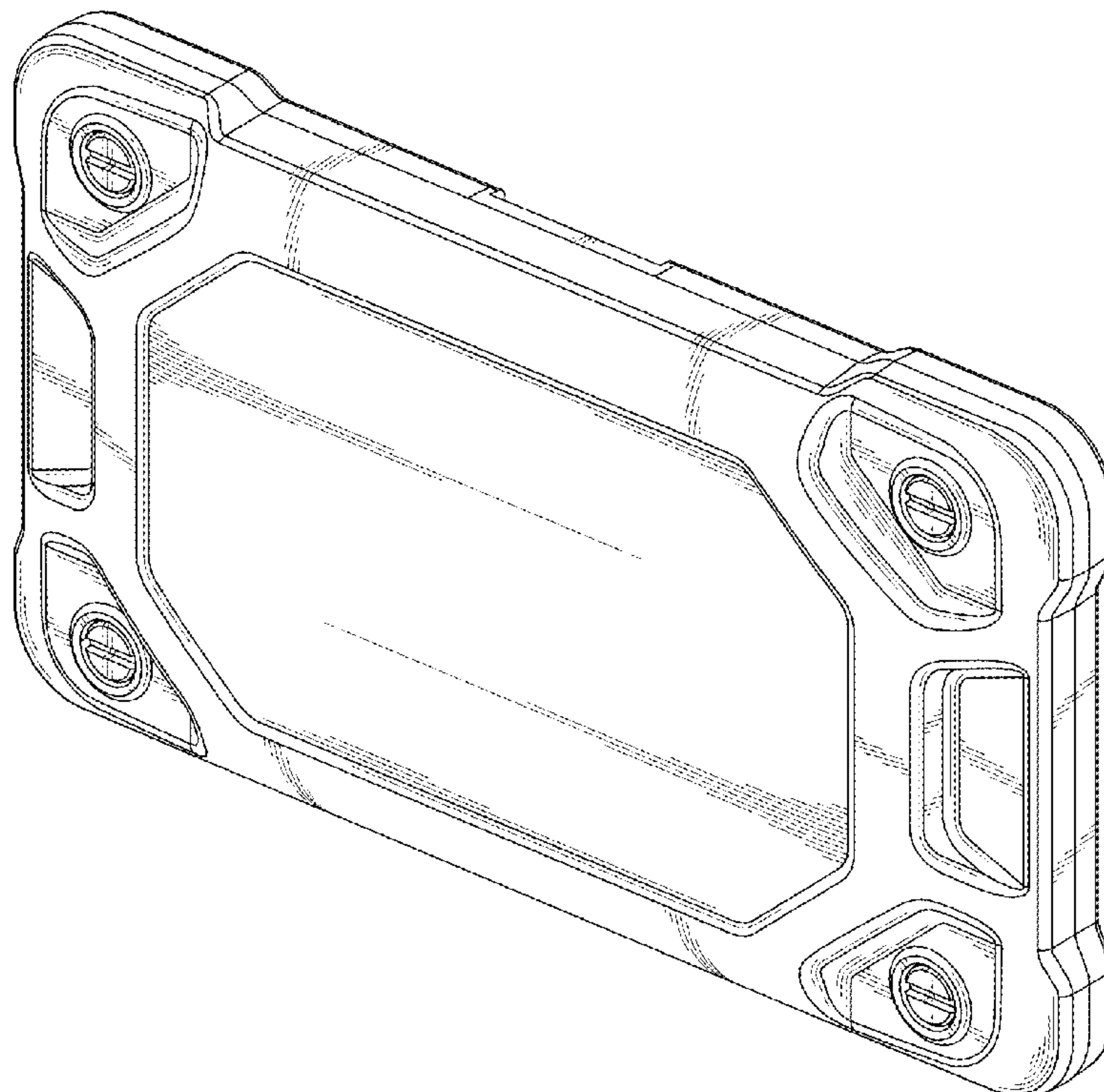
(57) **CLAIM**

The ornamental design for an expansion device of rugged tablet, as shown and described.

DESCRIPTION

FIG. 1 is a top front right perspective view showing a first embodiment of my new design;
 FIG. 2 is a top rear left perspective view of the first embodiment of my new design;
 FIG. 3 is a front view of the first embodiment of my new design;
 FIG. 4 is a rear view of the first embodiment of my new design;
 FIG. 5 is a left side view of the first embodiment of my new design;
 FIG. 6 is a right side view of the first embodiment of my new design;
 FIG. 7 is a top view of the first embodiment of my new design; and,
 FIG. 8 is a bottom view of the first embodiment of my new design.

1 Claim, 6 Drawing Sheets



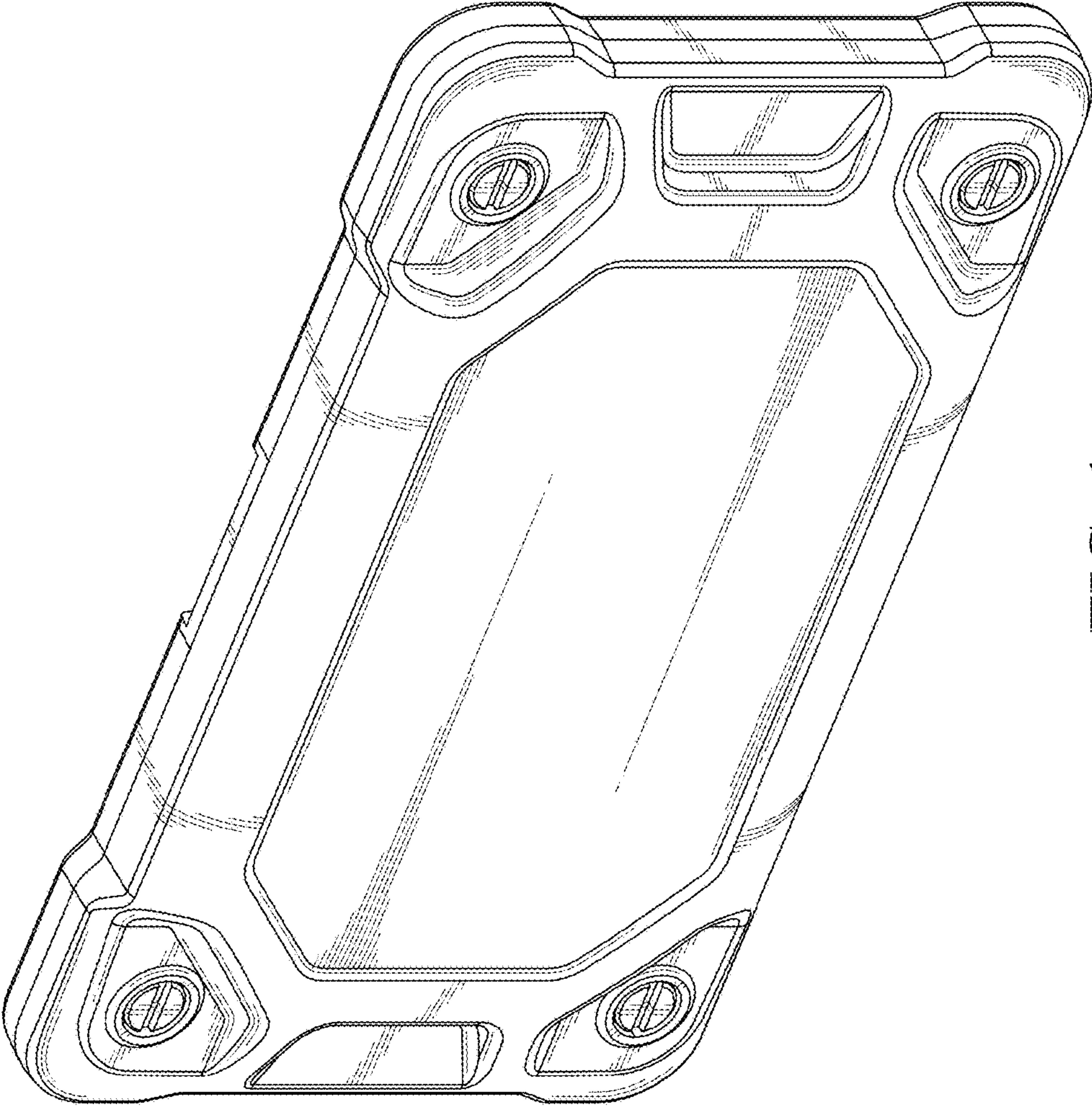


FIG. 1

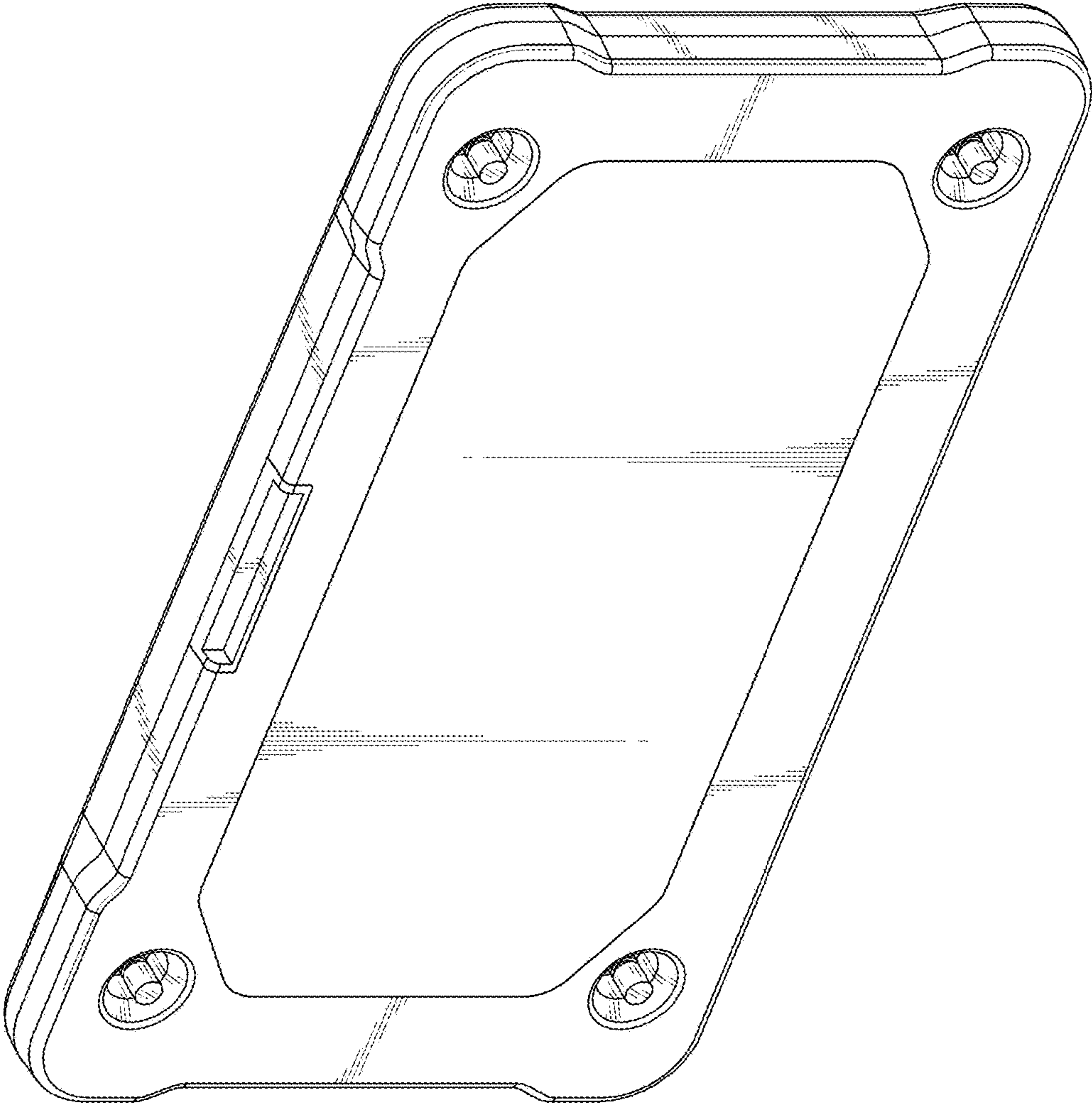


FIG. 2

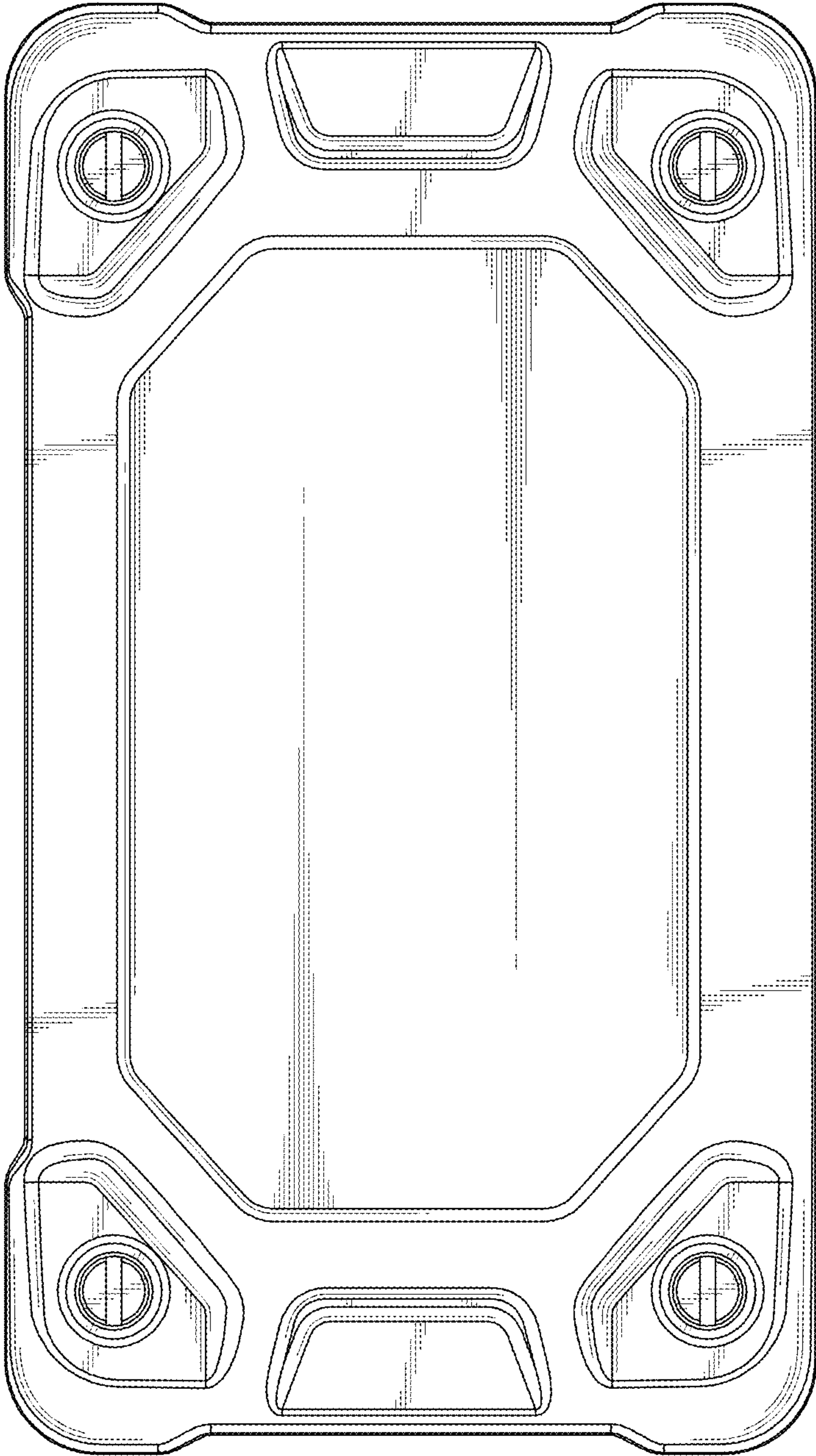


FIG. 3

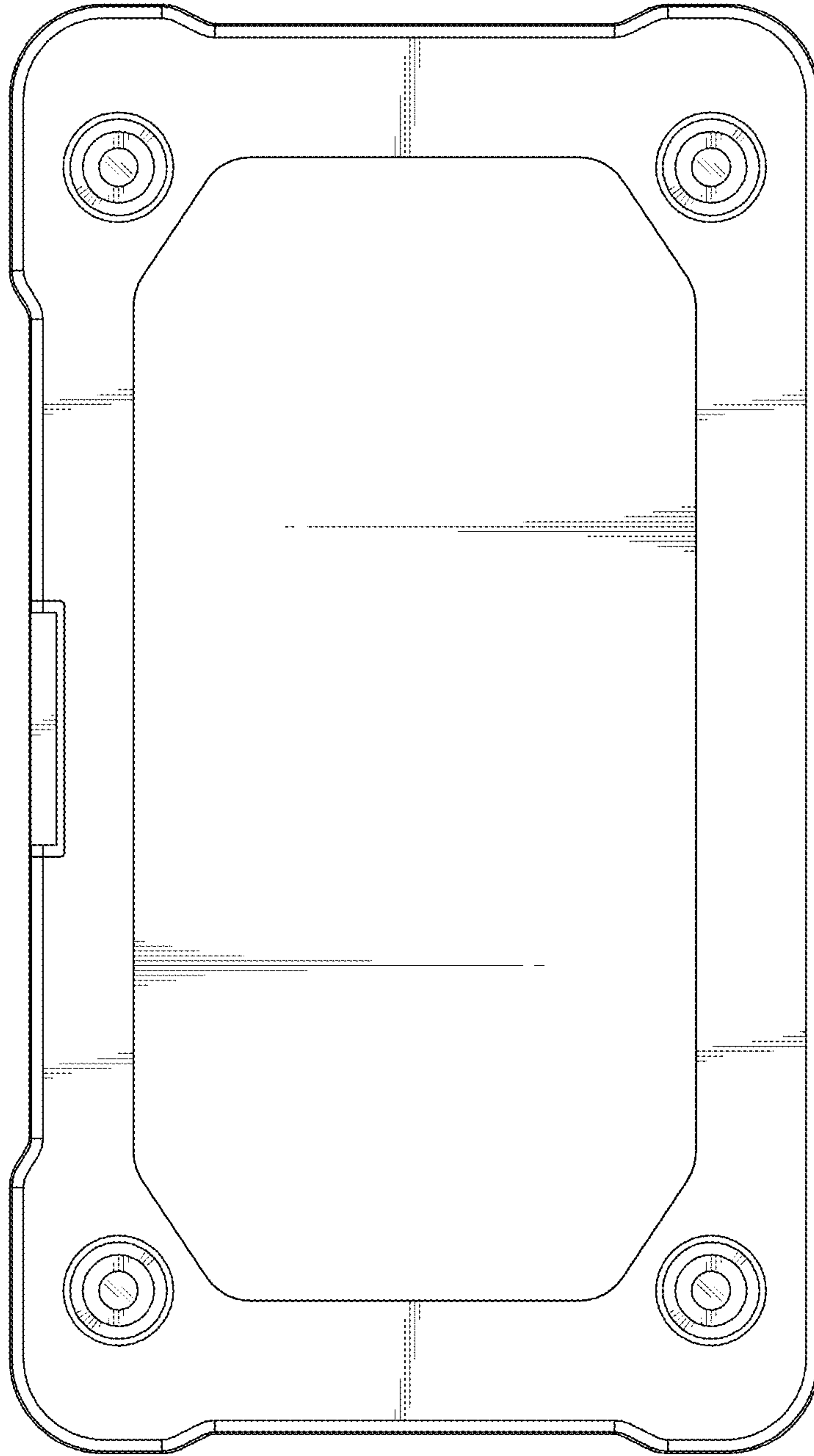


FIG. 4

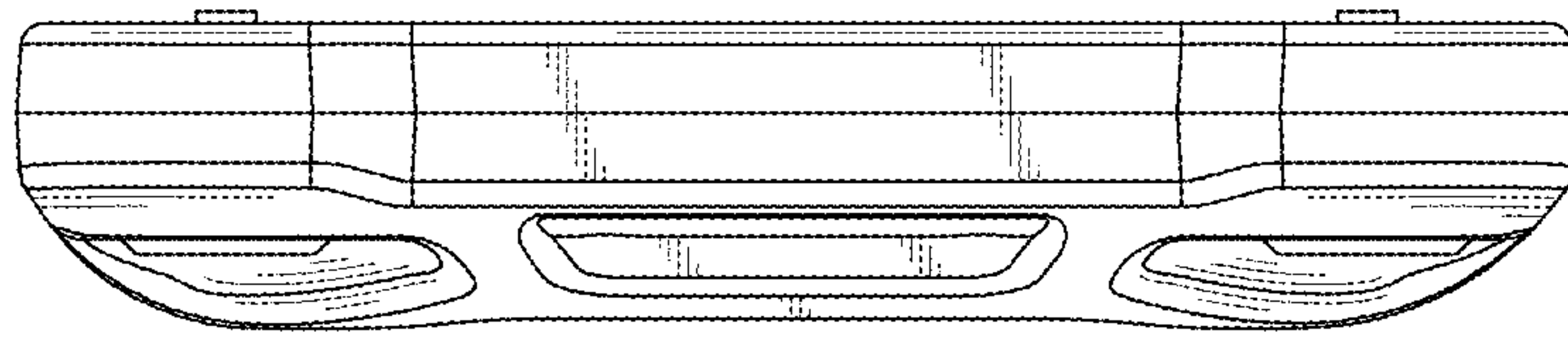


FIG. 6

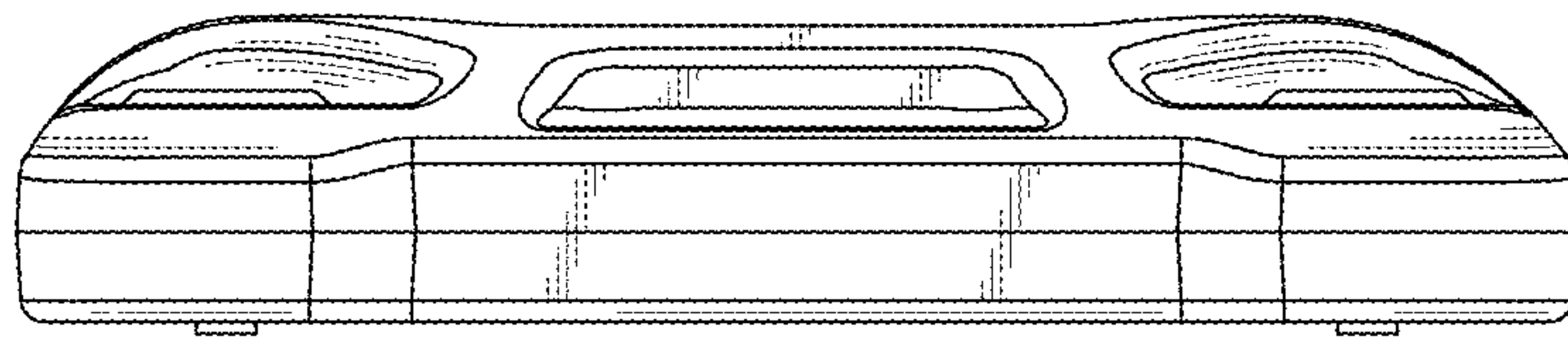


FIG. 5

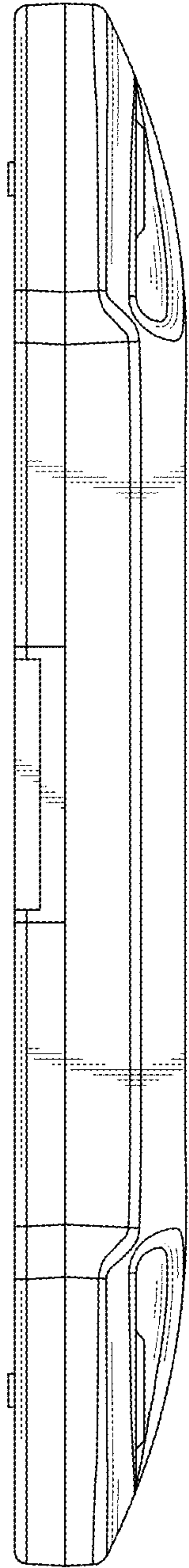


FIG. 7

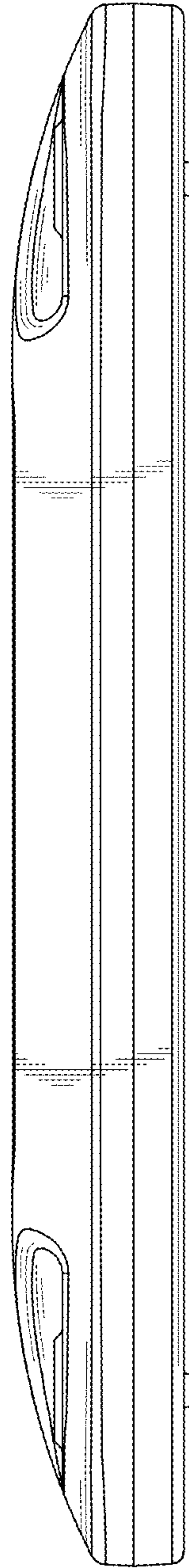


FIG. 8