



US00D801975S

(12) **United States Design Patent** (10) **Patent No.:** **US D801,975 S**  
**Qin** (45) **Date of Patent:** **\*\* Nov. 7, 2017**

(54) **FLASH DRIVE AND CARD READER**

(71) Applicant: **Qiang Qin**, Guangdong (CN)

(72) Inventor: **Qiang Qin**, Guangdong (CN)

(\*\*) Term: **15 Years**

(21) Appl. No.: **29/594,312**

(22) Filed: **Feb. 17, 2017**

(30) **Foreign Application Priority Data**

Aug. 19, 2016 (CN) ..... 2016 3 0402931

(51) **LOC (10) Cl.** ..... **14-03**

(52) **U.S. Cl.**  
USPC ..... **D14/435.1**

(58) **Field of Classification Search**  
USPC ..... D14/435.1, 480.1-480.7  
CPC ..... H05K 5/0278; G06K 19/07732  
See application file for complete search history.

(56) **References Cited**

**U.S. PATENT DOCUMENTS**

D444,788 S \* 7/2001 Do ..... H05K 5/0278  
D14/480.6  
D487,458 S \* 3/2004 Gentil ..... D14/480.5  
D511,344 S \* 11/2005 Takei ..... D14/480.6

D537,036 S \* 2/2007 Chen ..... D14/433  
D545,311 S \* 6/2007 Wai ..... D14/480.7  
D559,249 S \* 1/2008 Takei ..... D14/480.6  
D645,050 S \* 9/2011 Faranda ..... D13/108  
D653,670 S \* 2/2012 Lee ..... D14/480.6  
D668,664 S \* 10/2012 Zhou ..... D14/480.6  
D759,020 S \* 6/2016 Cohen ..... D14/435.1  
D770,974 S \* 11/2016 Dentzel ..... D13/108  
D780,725 S \* 3/2017 Kim ..... D13/110  
2003/0045176 A1 \* 3/2003 Liu ..... H01R 35/02  
439/687

\* cited by examiner

*Primary Examiner* — Angela J Lee

(74) *Attorney, Agent, or Firm* — Rankin, Hill & Clark LLP

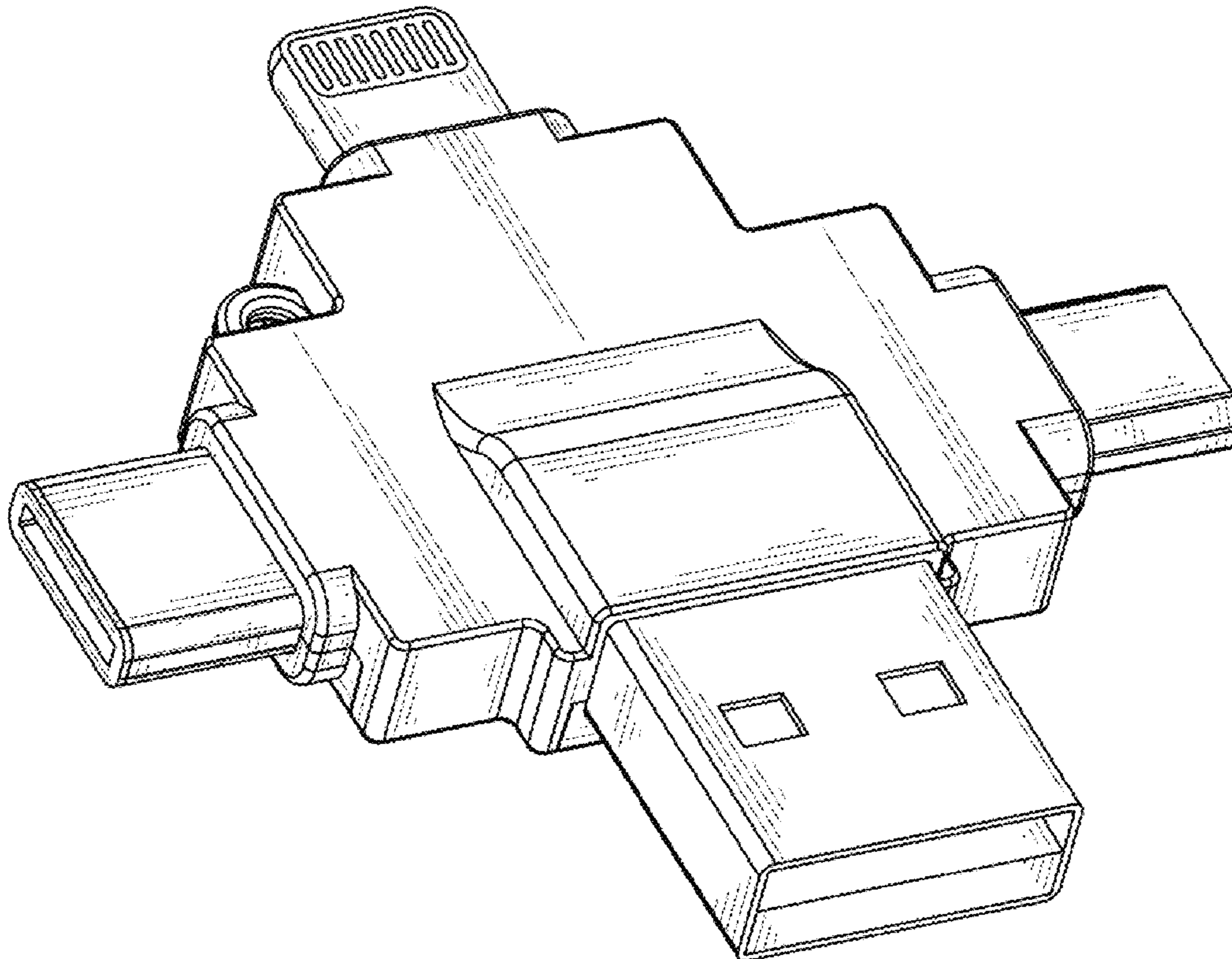
(57) **CLAIM**

The ornamental design for a “flash drive and card reader,” as shown and described.

**DESCRIPTION**

FIG. 1 is a front view of the flash drive and card reader;  
FIG. 2 is a rear view thereof;  
FIG. 3 is a left side view thereof;  
FIG. 4 is a right side view thereof;  
FIG. 5 is a top view thereof;  
FIG. 6 is a bottom view thereof; and,  
FIG. 7 is a perspective view thereof.

**1 Claim, 7 Drawing Sheets**



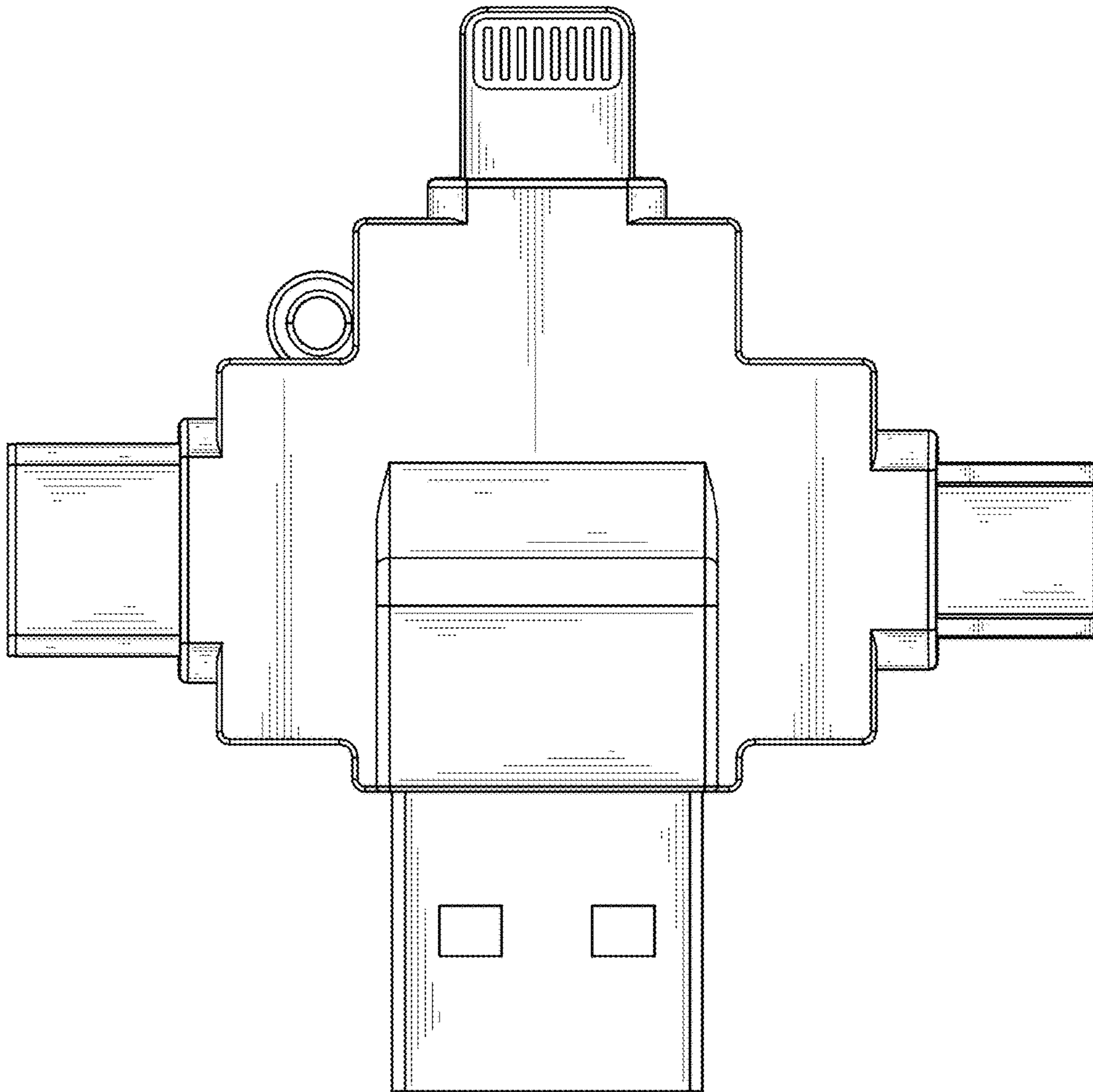


FIG. 1

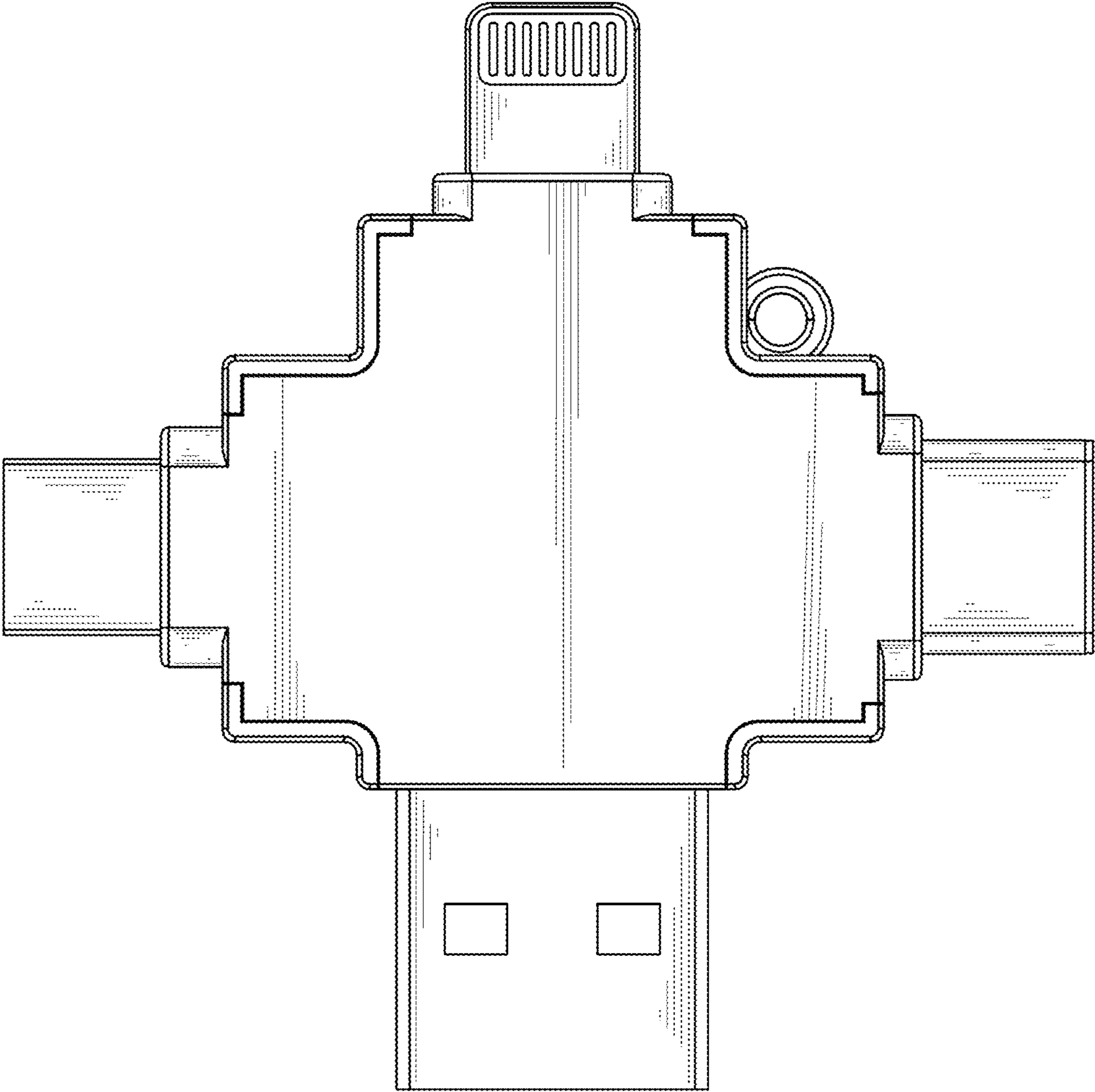


FIG. 2

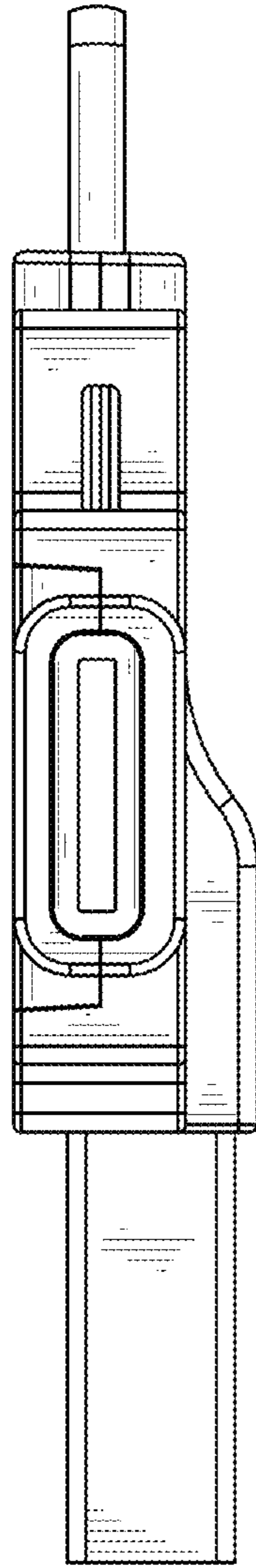


FIG. 3

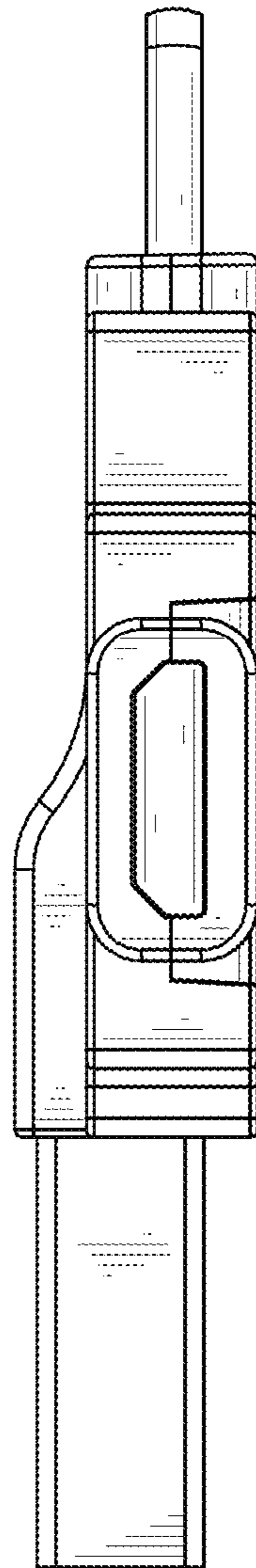


FIG. 4

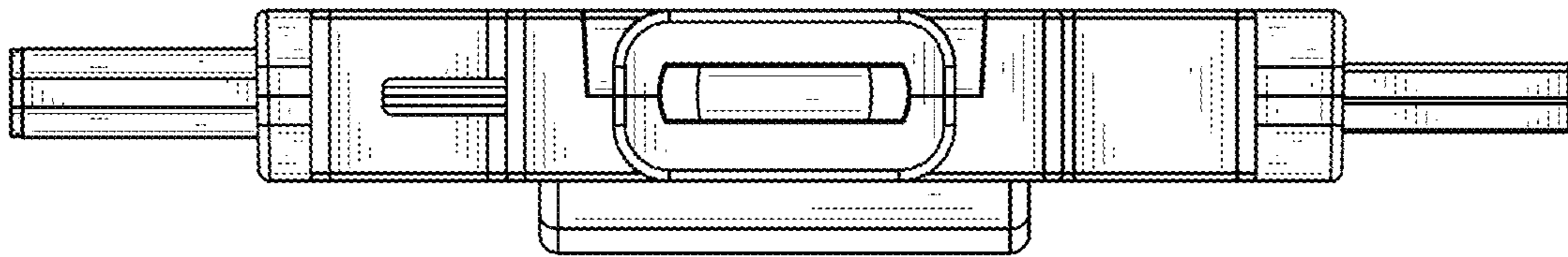


FIG. 5



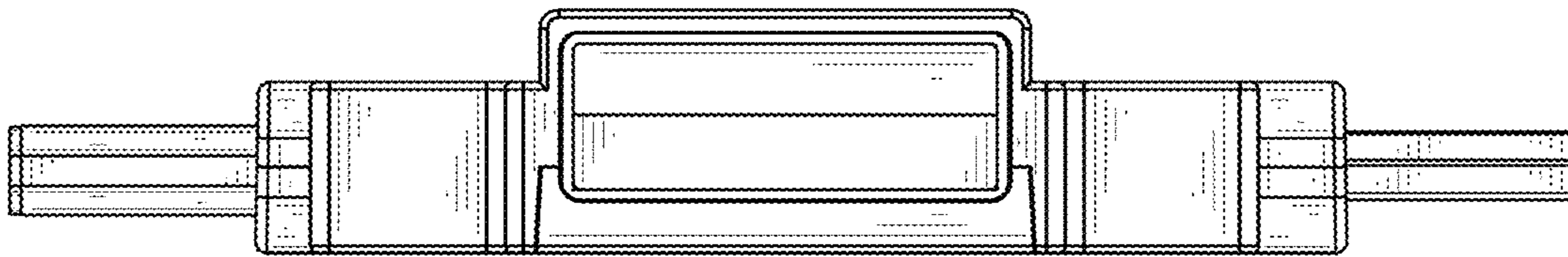


FIG. 6

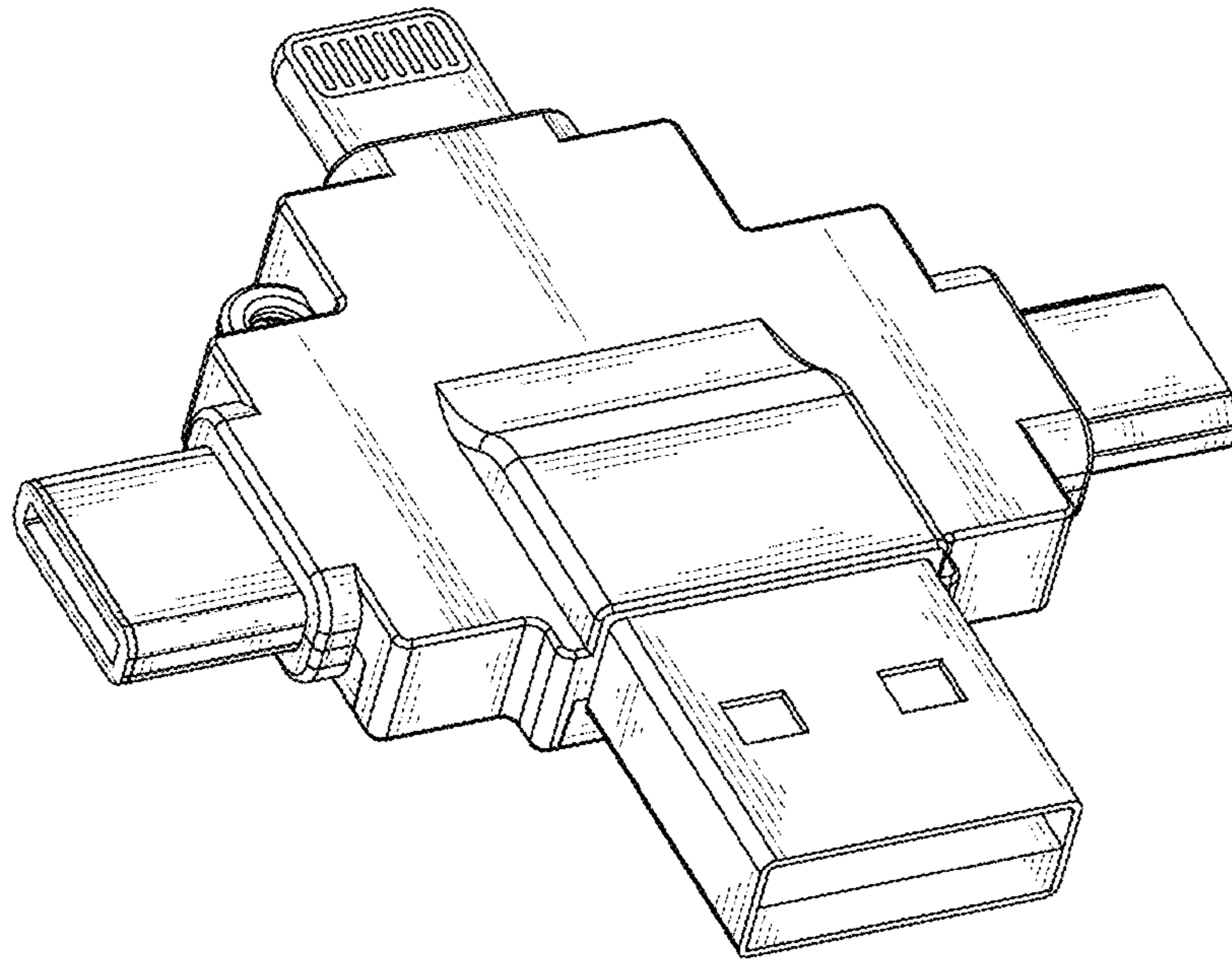


FIG. 7