



US00D801973S

(12) **United States Design Patent**
Feng

(10) **Patent No.:** **US D801,973 S**

(45) **Date of Patent:** **** Nov. 7, 2017**

(54) **KEYBOARD**

(71) Applicant: **LENOVO (BEIJING) CO., LTD.**,
Beijing (CN)

(72) Inventor: **Derun Feng**, Beijing (CN)

(73) Assignee: **LENOVO (BEIJING) CO., LTD.**,
Beijing (CN)

(**) Term: **15 Years**

(21) Appl. No.: **29/558,887**

(22) Filed: **Mar. 22, 2016**

(30) **Foreign Application Priority Data**

Sep. 24, 2015 (CN) 2015 3 0373697

(51) **LOC (10) Cl.** **14-02**

(52) **U.S. Cl.**
USPC **D14/392**

(58) **Field of Classification Search**

USPC D14/315–327, 391–399; D18/1, 2, 7, 11;
235/145 A, 145 R; 341/22, 23; 345/104,
345/156, 168, 169, 173; 361/679.08,
361/679.09, 679.11, 679.26, 679.27
CPC G06F 1/16; G06F 1/1616; G06F 1/1626;
G06F 1/1632; G06F 1/1613; G06F
1/1601; G06F 1/1618; G06F 1/162; G06F
3/0221; G06F 3/0216; H01R 35/02;
H03M 11/00; G09B 13/04; H03K 17/94;
G09G 5/00; F16M 11/10; H05K 5/00;
H04M 1/0237; H01H 13/14; H01H 13/84;
B41J 5/00; B41J 5/12; B41J 5/10

See application file for complete search history.

(56) **References Cited**

U.S. PATENT DOCUMENTS

6,781,819 B2 * 8/2004 Yang G06F 1/162
341/22
D528,117 S * 9/2006 Shimizu D14/391

D604,845 S * 11/2009 Hibi D24/107
D682,832 S * 5/2013 Smith D14/391
D695,740 S * 12/2013 Yakel D14/392
D706,770 S * 6/2014 Kim D14/315
D740,824 S * 10/2015 Zou D14/392
D748,094 S * 1/2016 Mecchella D14/391
D748,633 S * 2/2016 Yang D14/392

* cited by examiner

Primary Examiner — Freda S Nunn

(74) *Attorney, Agent, or Firm* — Oppedahl Patent Law
Firm LLC

(57) **CLAIM**

The ornamental design for a keyboard, as shown and
described.

DESCRIPTION

FIG. 1 is a front view of a keyboard showing a first
embodiment of our new design;
FIG. 2 is a rear view thereof;
FIG. 3 is a left side view thereof;
FIG. 4 is a right side view thereof;
FIG. 5 is a top view thereof;
FIG. 6 is a bottom view thereof;
FIG. 7 is a top perspective view thereof;
FIG. 8 is a bottom perspective view thereof;
FIG. 9 is a front perspective view thereof with a tablet being
attached in a first position;
FIG. 10 is a rear perspective view of FIG. 9;
FIG. 11 is a front perspective view thereof with a tablet
being attached in a second position; and,
FIG. 12 is a rear perspective view of FIG. 11.
The features shown in broken lines in the drawings depict
environmental subject matter and form no part of the
claimed design.

1 Claim, 5 Drawing Sheets

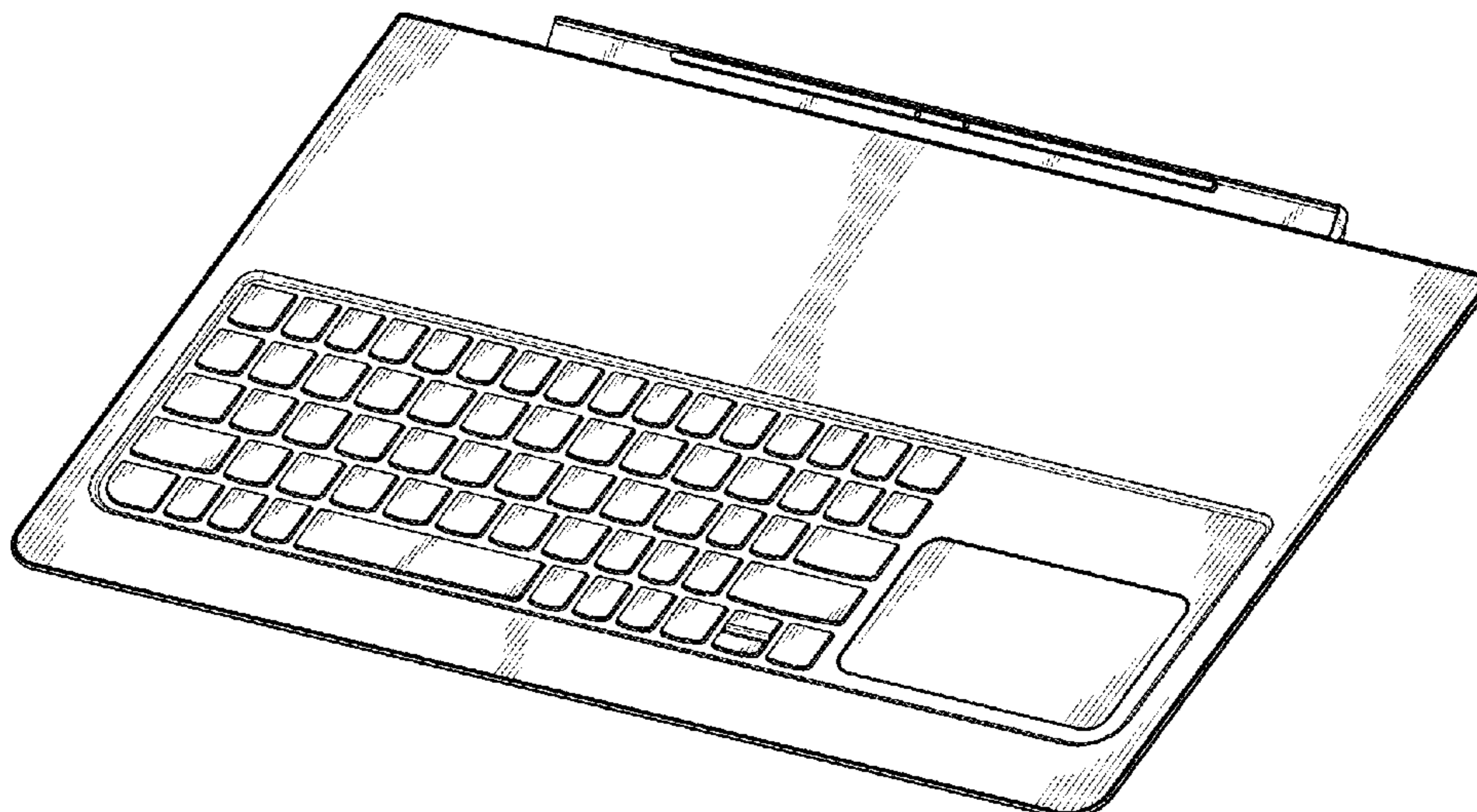




Fig. 1

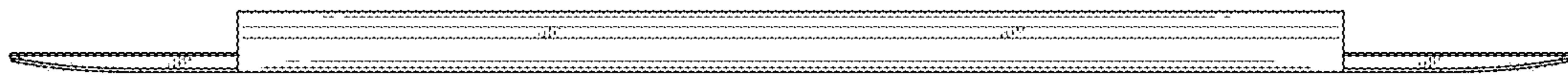


Fig. 2

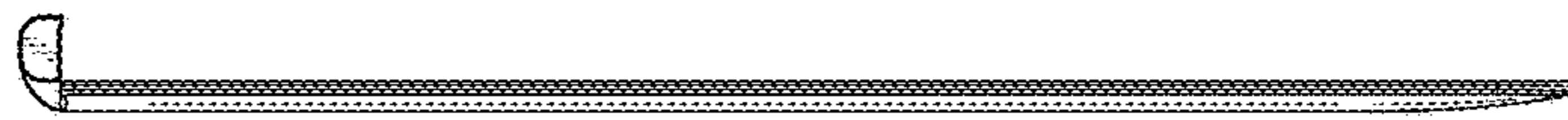


Fig. 3



Fig. 4

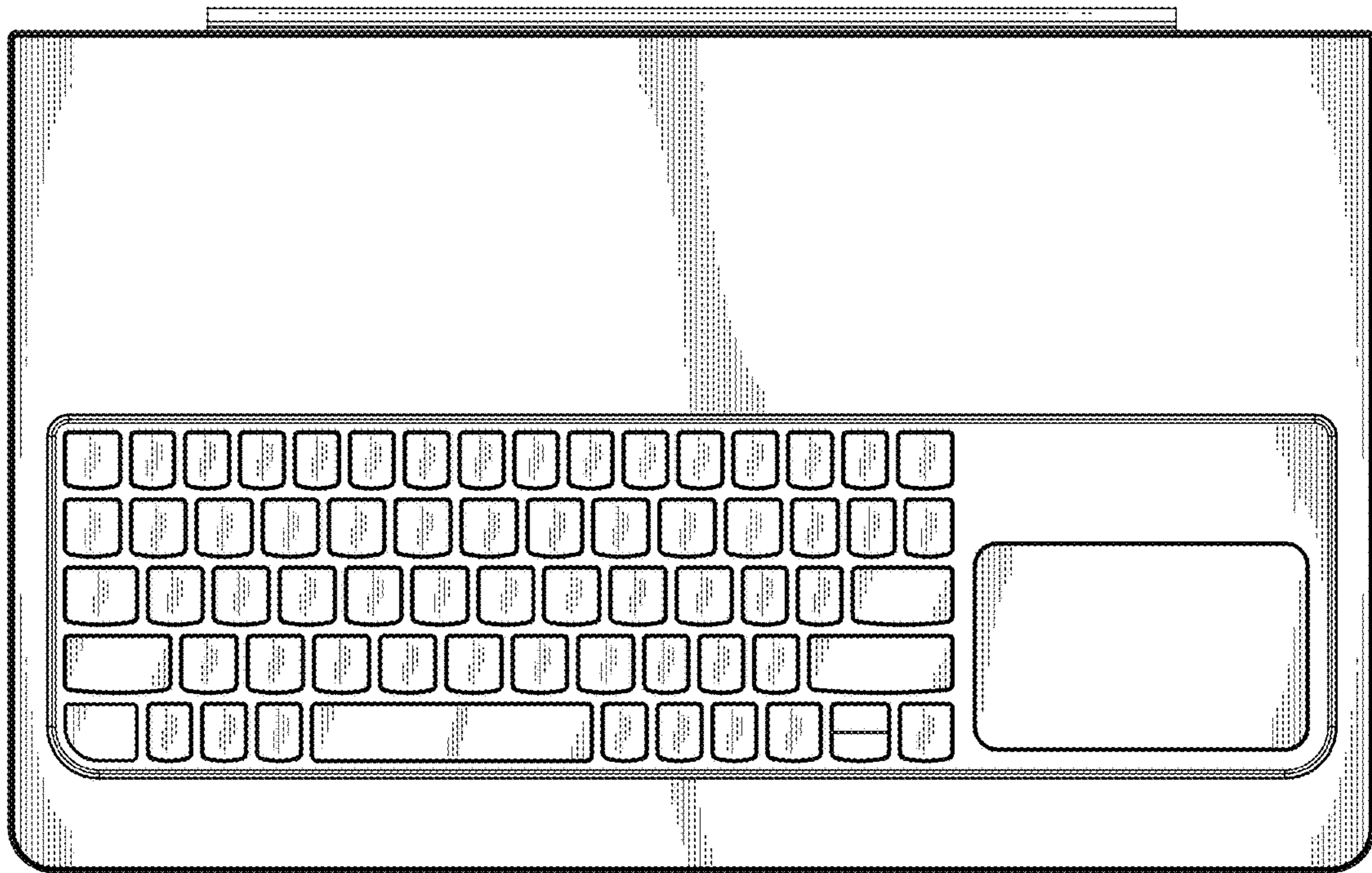


Fig. 5

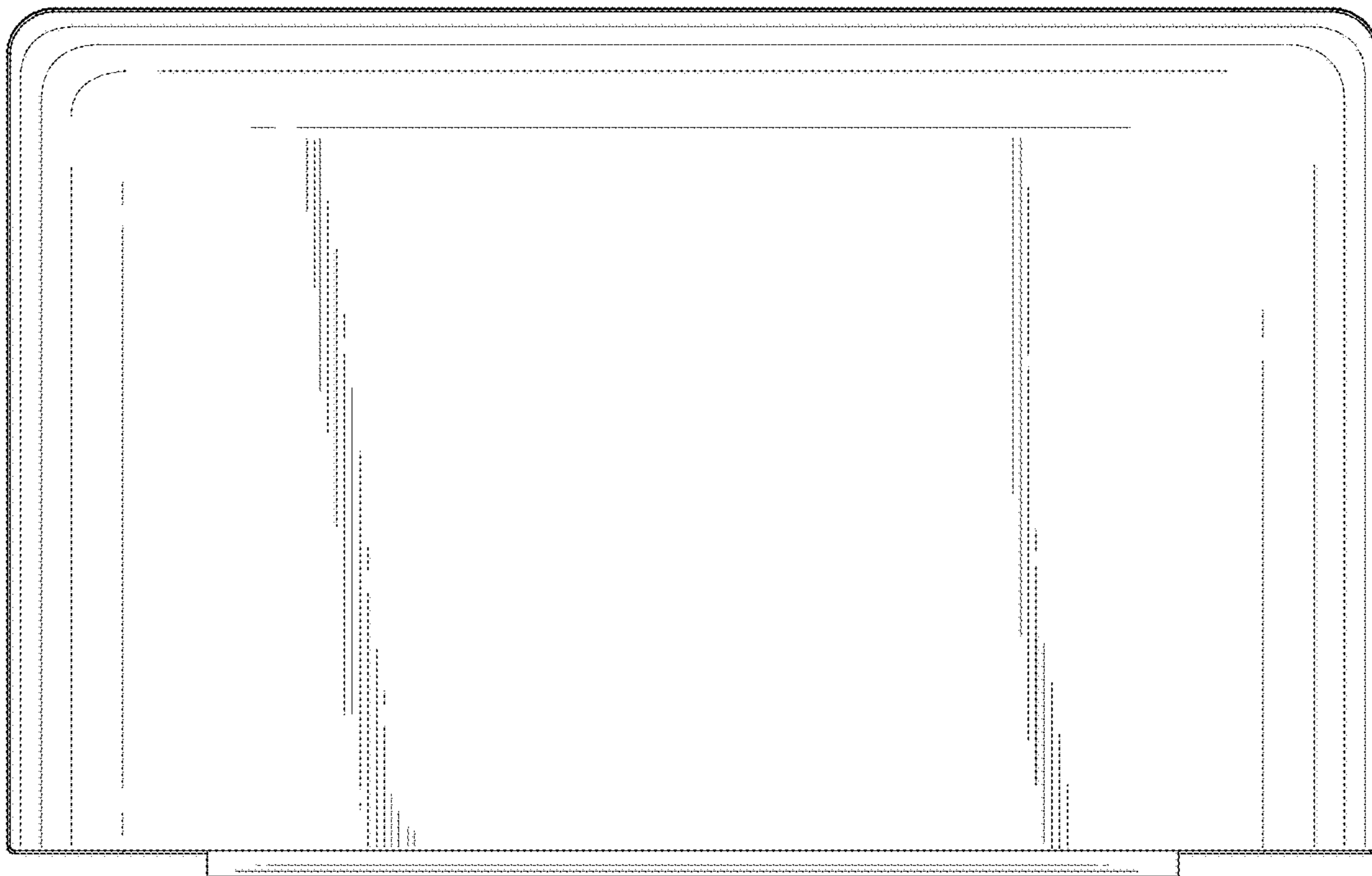


Fig. 6

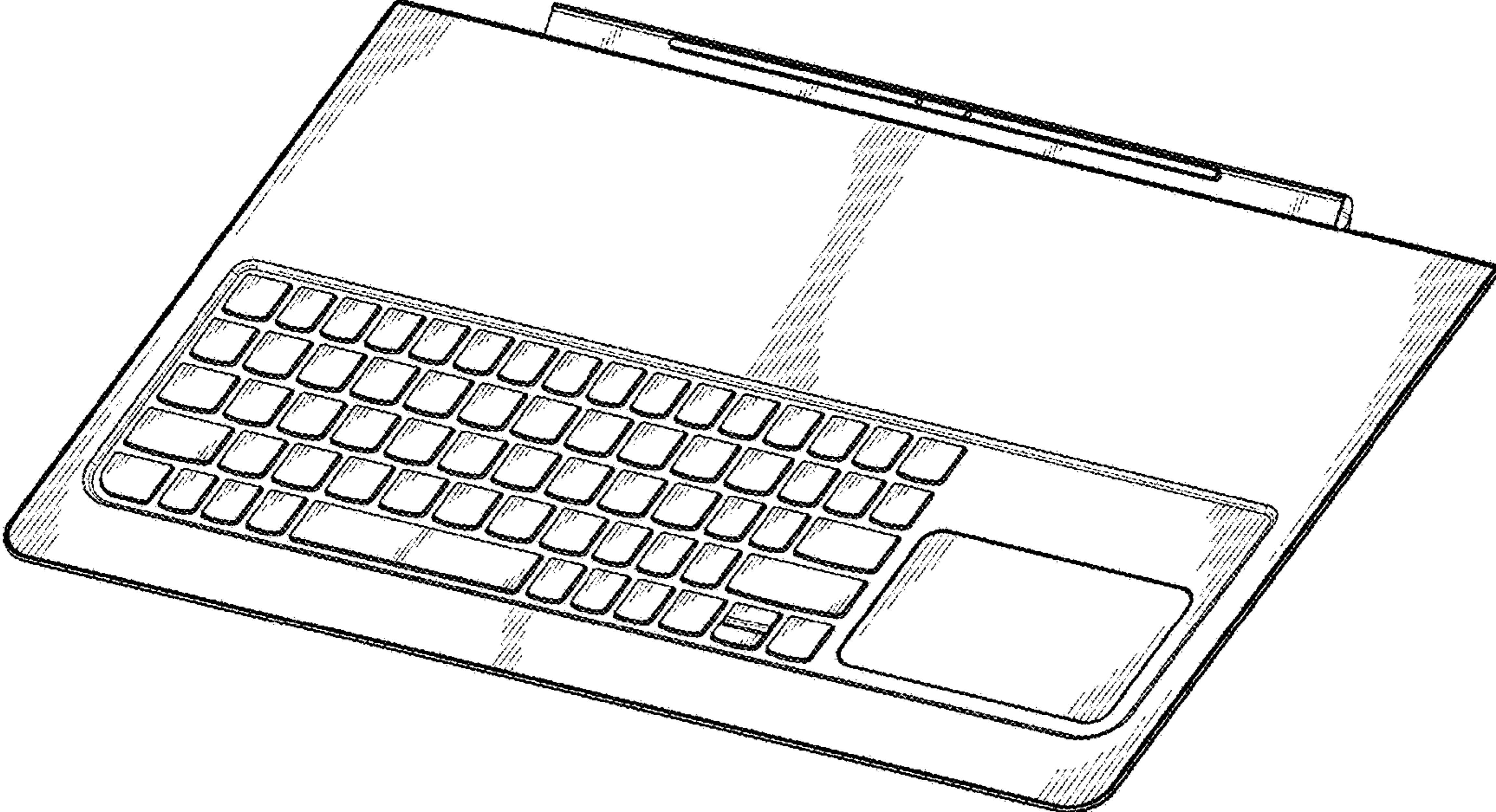


Fig. 7

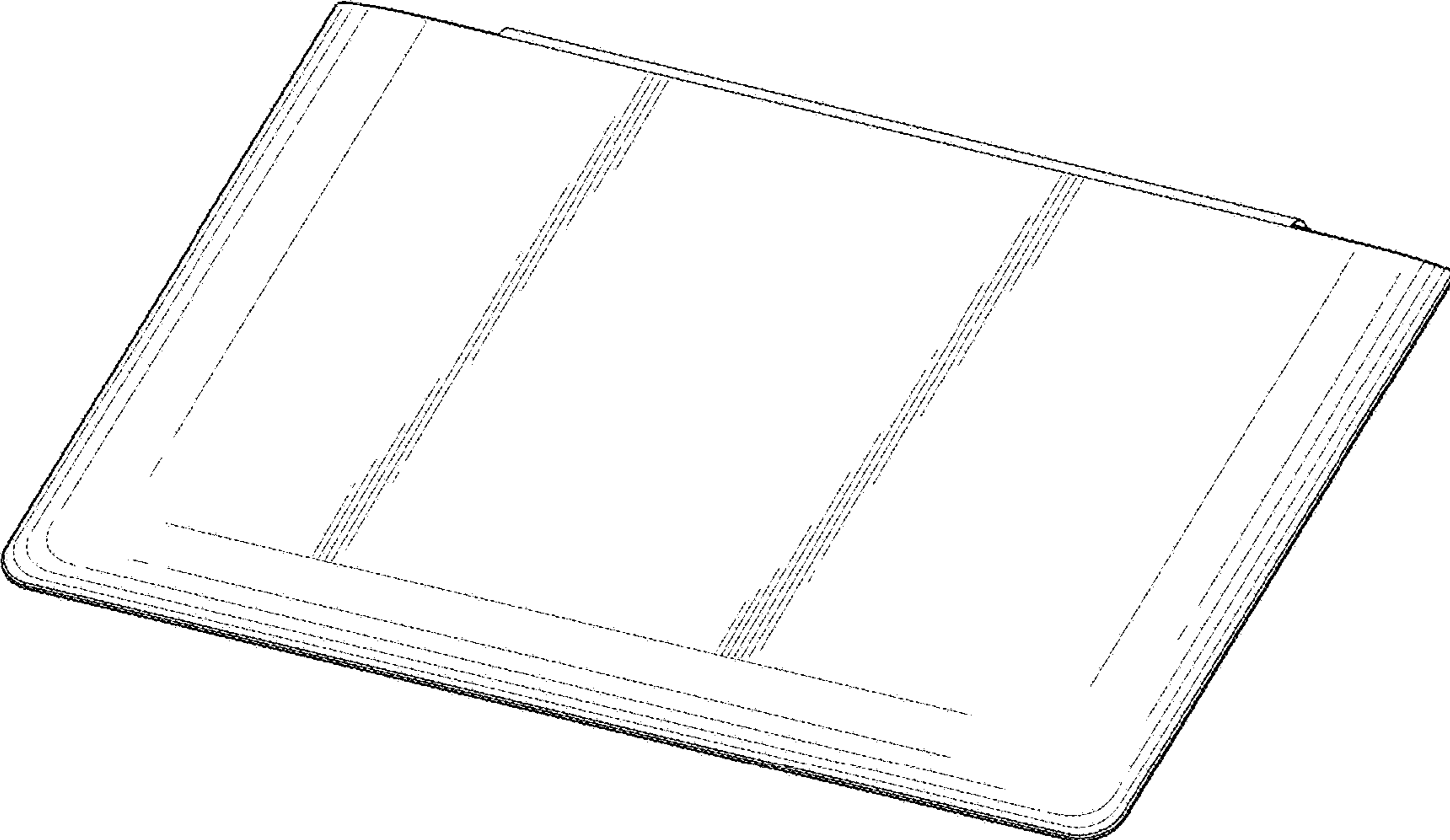


Fig. 8

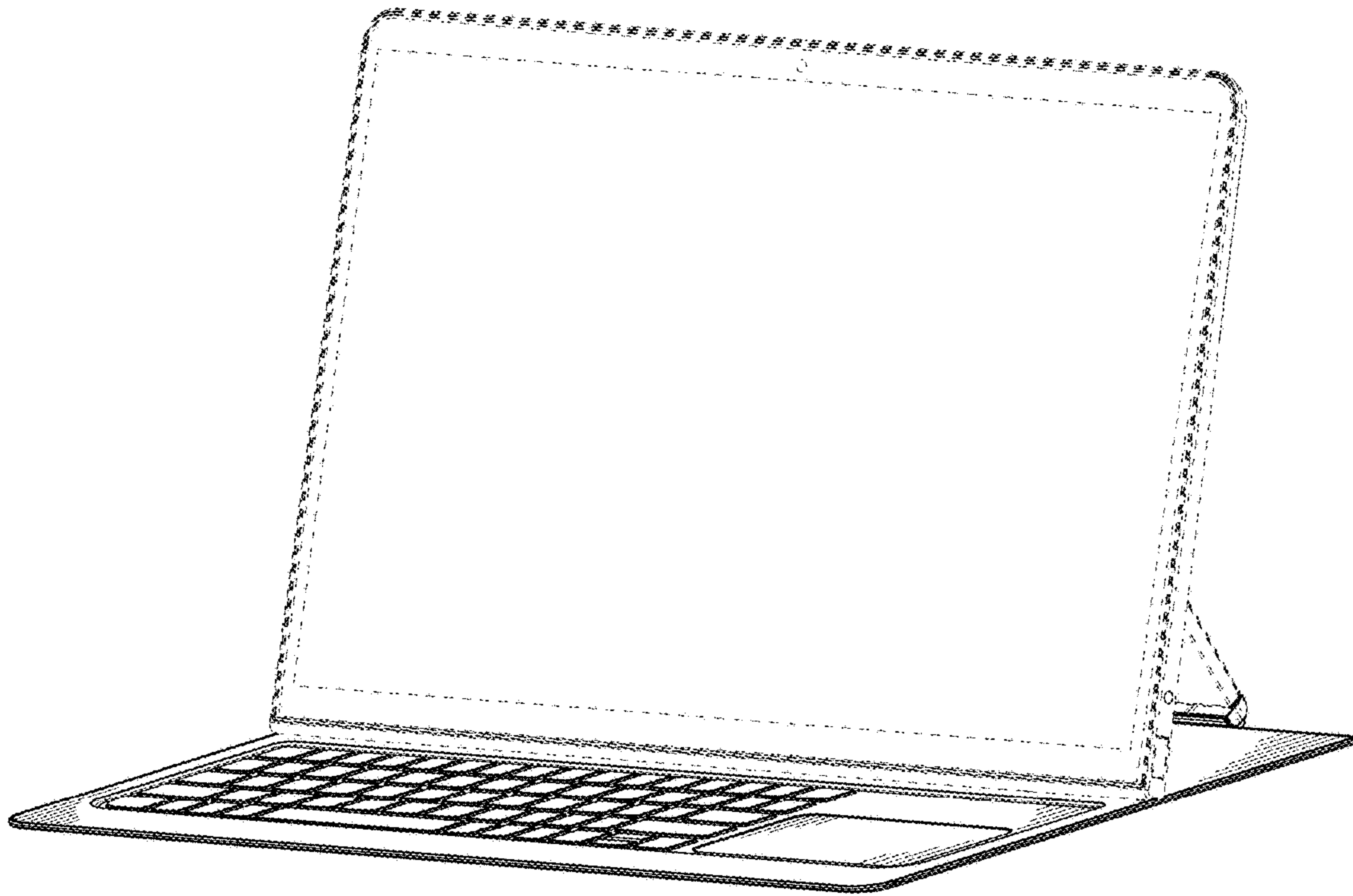


Fig. 9

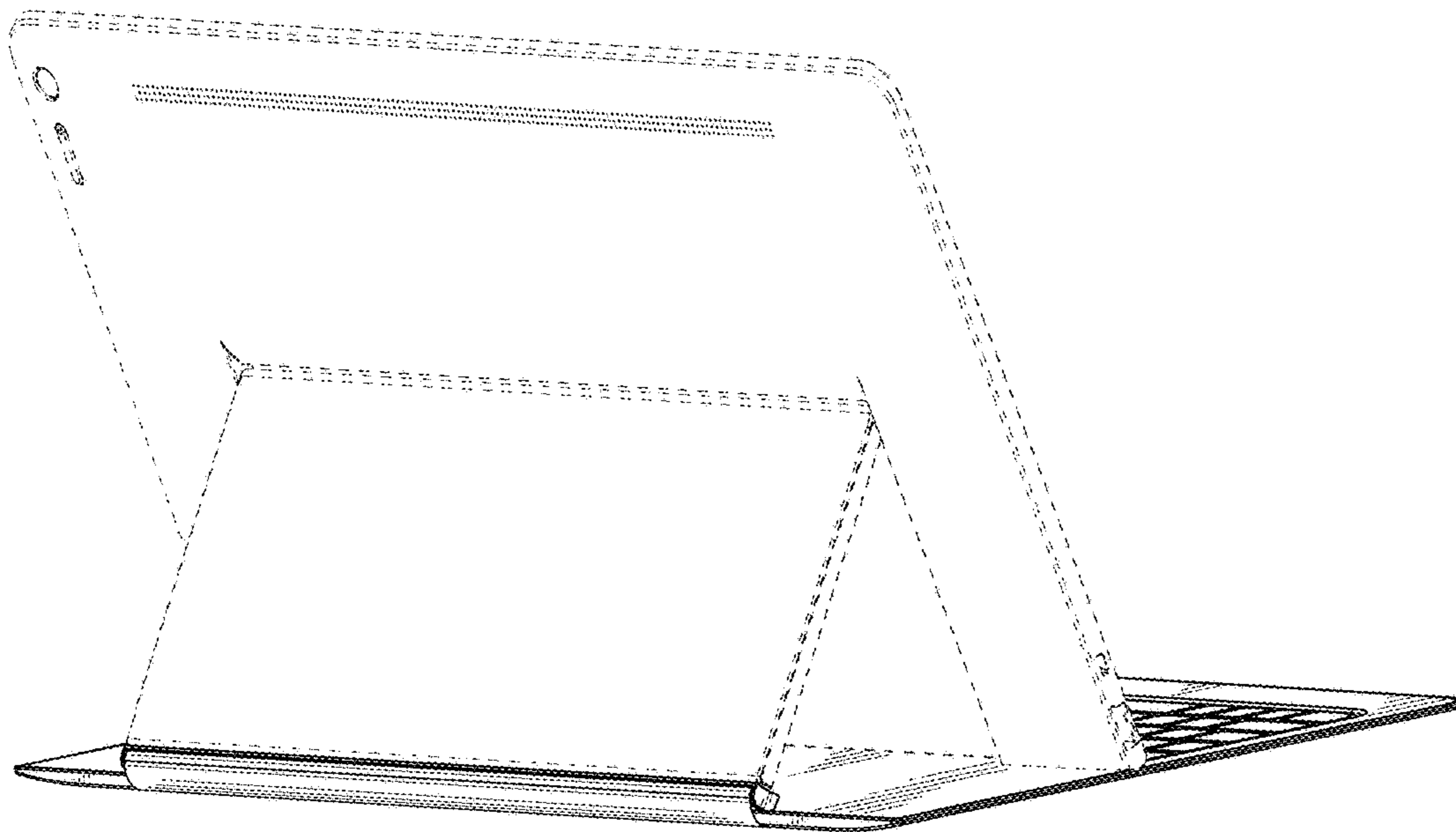


Fig. 10

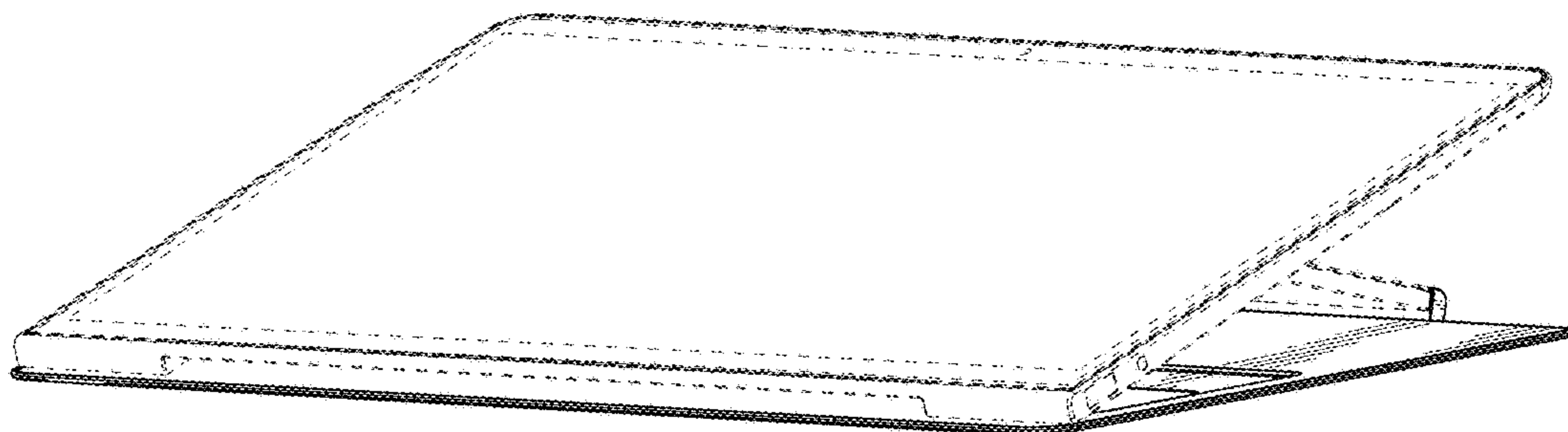


Fig. 11

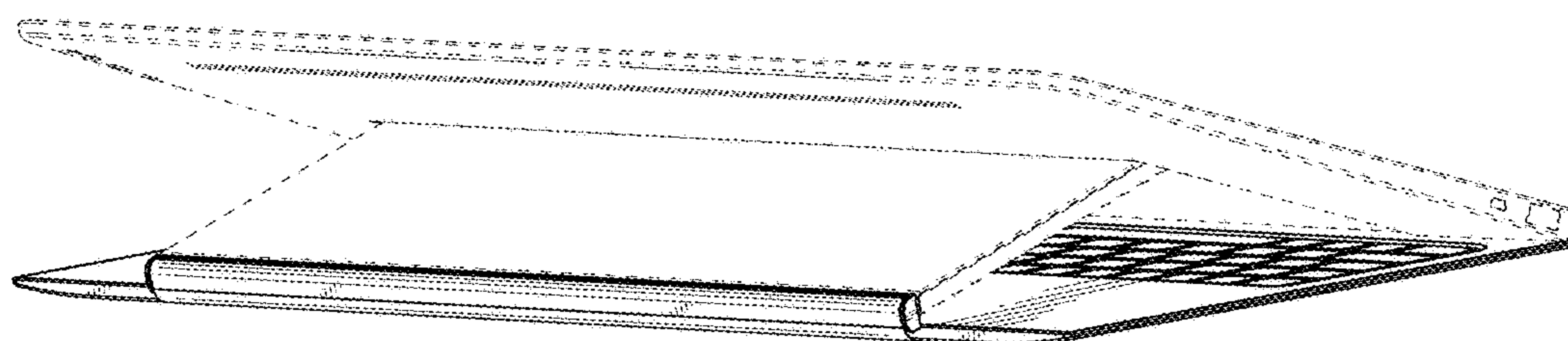


Fig. 12