

US00D801972S

(12) **United States Design Patent** (10) **Patent No.:** **US D801,972 S**  
**Howell et al.** (45) **Date of Patent:** **\*\* Nov. 7, 2017**

(54) **CAPTURE DEVICE**

(71) Applicant: **GEMALTO SA**

(72) Inventors: **Brett A. Howell**, Ramsey, MN (US);  
**Brian L. Linzie**, Stillwater, MN (US);  
**Glenn E. Casner**, Woodbury, MN  
(US); **Robert W. Shannon**, Roseville,  
MN (US); **Andrew H. Tilstra**,  
Shoreview, MN (US)

(73) Assignee: **GEMALTO SA**, Meudon (FR)

(\*\*) Term: **15 Years**

(21) Appl. No.: **29/581,740**

(22) Filed: **Oct. 21, 2016**

(51) **LOC (10) Cl.** ..... **14-02**

(52) **U.S. Cl.**  
USPC ..... **D14/384**

(58) **Field of Classification Search**  
USPC ..... D14/300-302, 313, 314, 341, 348-370,  
D14/383, 385, 432, 436, 496, 125, 135,  
D14/134, 155, 167, 168, 230, 231, 233,  
D14/235, 237, 240-242, 299; D10/65,  
D10/75, 78; D13/103, 149, 162, 184,  
D13/199; D18/4.4-4.6, 12.1, 56;  
361/679.31-679.45, 752; 711/100, 115;  
382/115, 124; 356/71; 235/380, 461,  
235/382, 472.01, 472.02; D3/201, 273  
CPC ..... G06K 9/00006; G06K 7/0013; G06K  
9/00026; G06F 21/00; G06Q 30/00  
See application file for complete search history.

(56) **References Cited**

**U.S. PATENT DOCUMENTS**

4,792,226 A \* 12/1988 Fishbine ..... G06K 9/00046  
356/71  
D302,153 S \* 7/1989 Karecki ..... D14/384

D351,144 S \* 10/1994 Fishbine ..... D14/384  
D393,837 S \* 4/1998 Umetsu ..... D14/384  
D478,905 S \* 8/2003 Byrne ..... D14/384  
D487,266 S \* 3/2004 Morimiya ..... D14/384  
D518,050 S \* 3/2006 Wood ..... D14/384  
D542,291 S \* 5/2007 Kang ..... D14/384  
D584,730 S \* 1/2009 Lin ..... D14/383  
D593,559 S \* 6/2009 Lin ..... D14/384  
D741,862 S \* 10/2015 Beroukhim ..... D14/384  
D782,479 S \* 3/2017 Bruno ..... D14/384  
D791,133 S \* 7/2017 Brownlee ..... D14/384

\* cited by examiner

*Primary Examiner* — Austin Murphy

(74) *Attorney, Agent, or Firm* — The Jansson Firm; Pehr  
B. Jansson

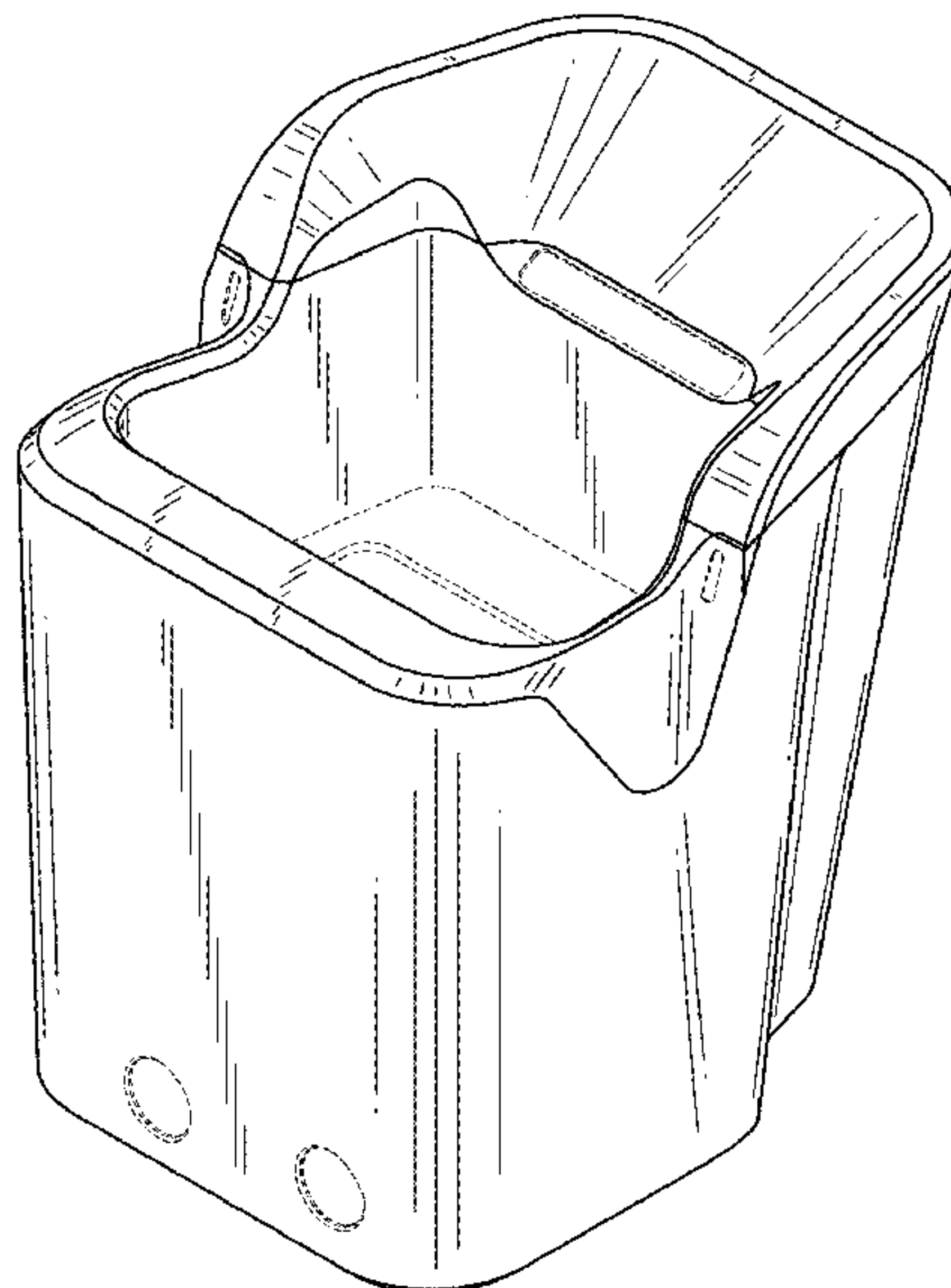
(57) **CLAIM**

The ornamental design for a capture device, as shown and  
described.

**DESCRIPTION**

FIG. 1 is a perspective view showing the new design for a  
capture device;  
FIG. 2 is a side view thereof;  
FIG. 3 is a front view thereof;  
FIG. 4 is a rear view thereof;  
FIG. 5 is a top view thereof;  
FIG. 6 is a bottom view thereof; and,  
FIG. 7 is a perspective showing a Collar of the capture  
device separated from a Base of the capture device.  
The surface shading illustrated in the drawings is provided  
merely to highlight the contour of design; it is not intended  
to be illustrative of texture or gloss.

**1 Claim, 4 Drawing Sheets**



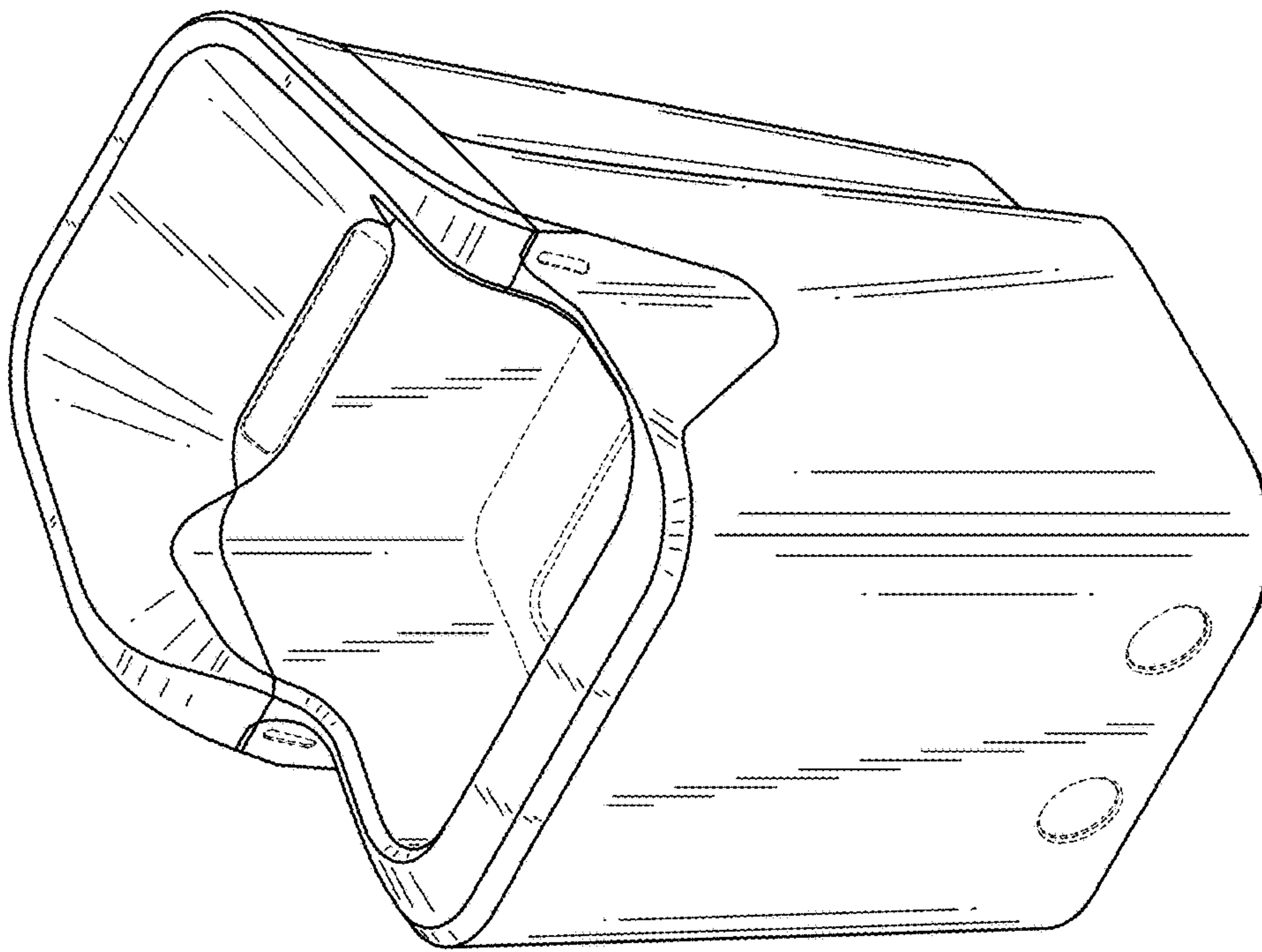


FIG. 1

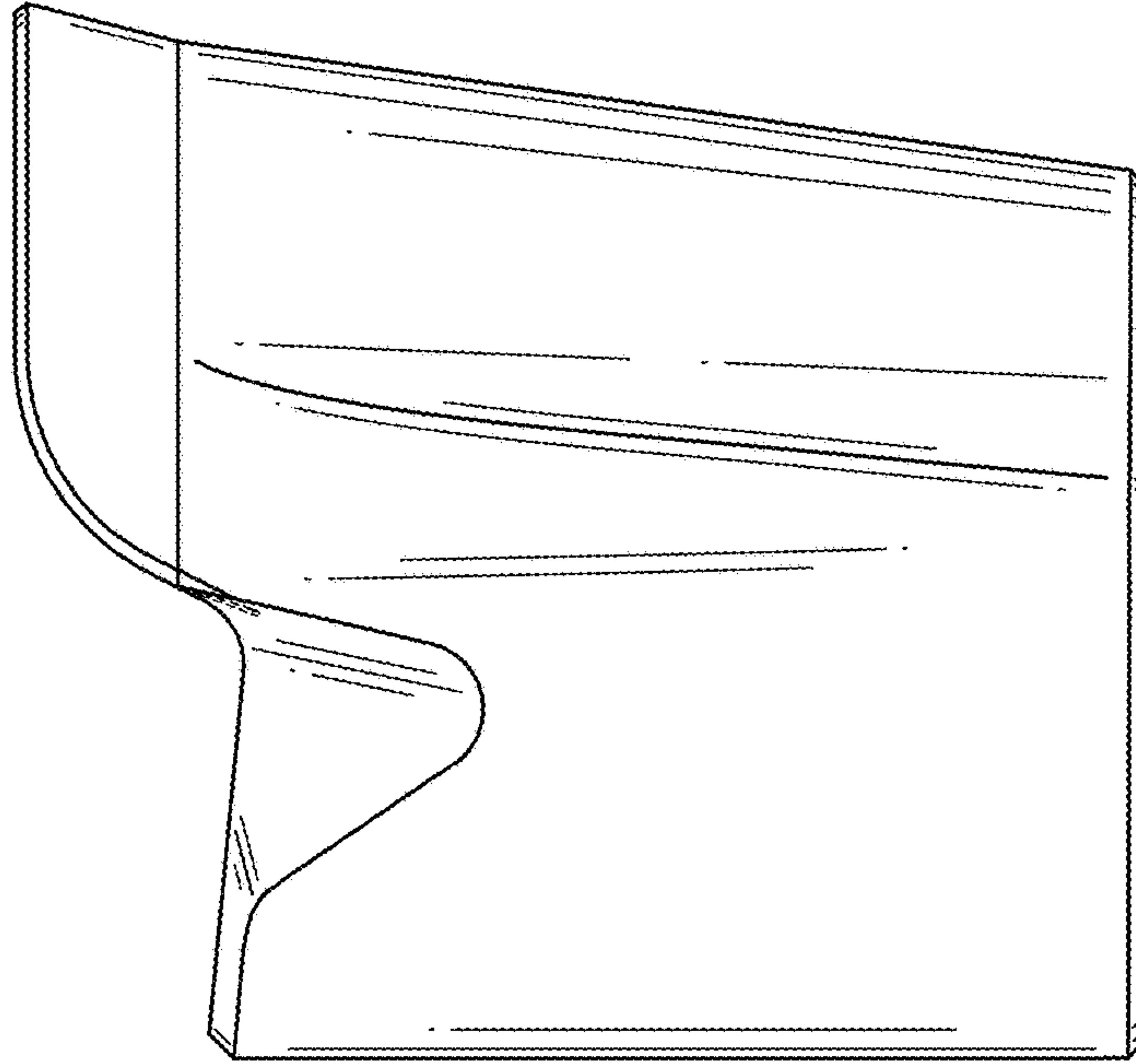


FIG. 2

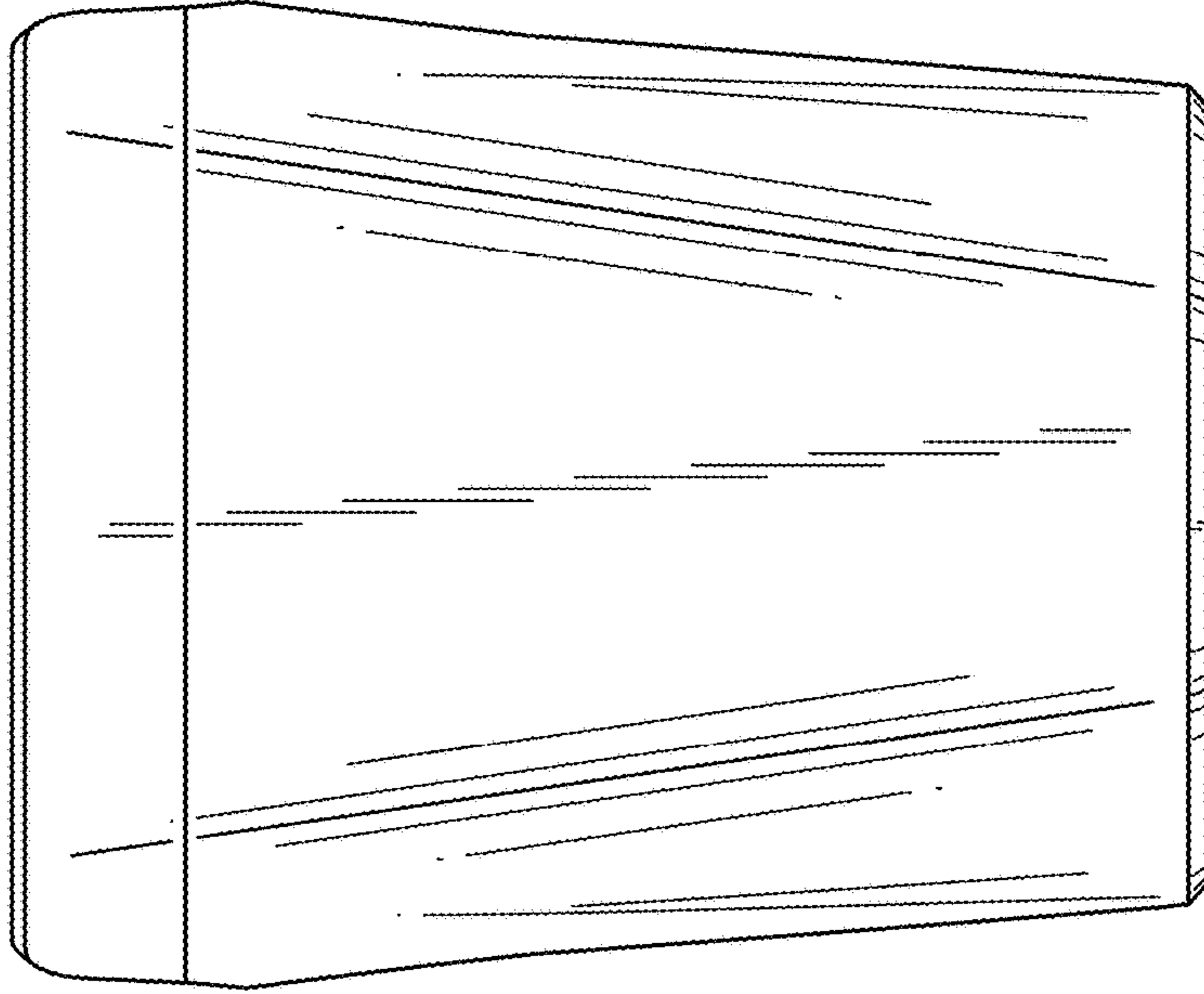


FIG. 4

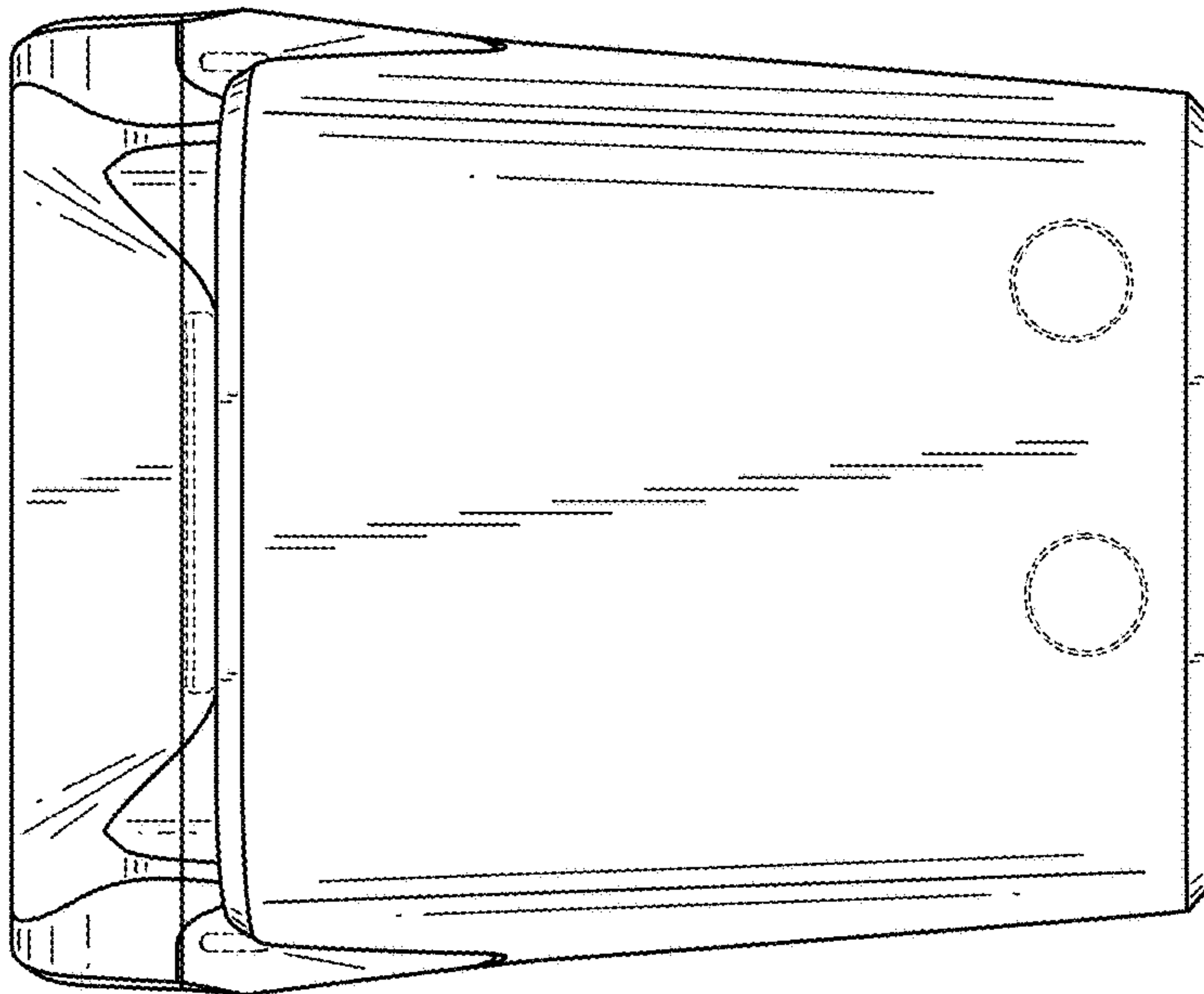


FIG. 3

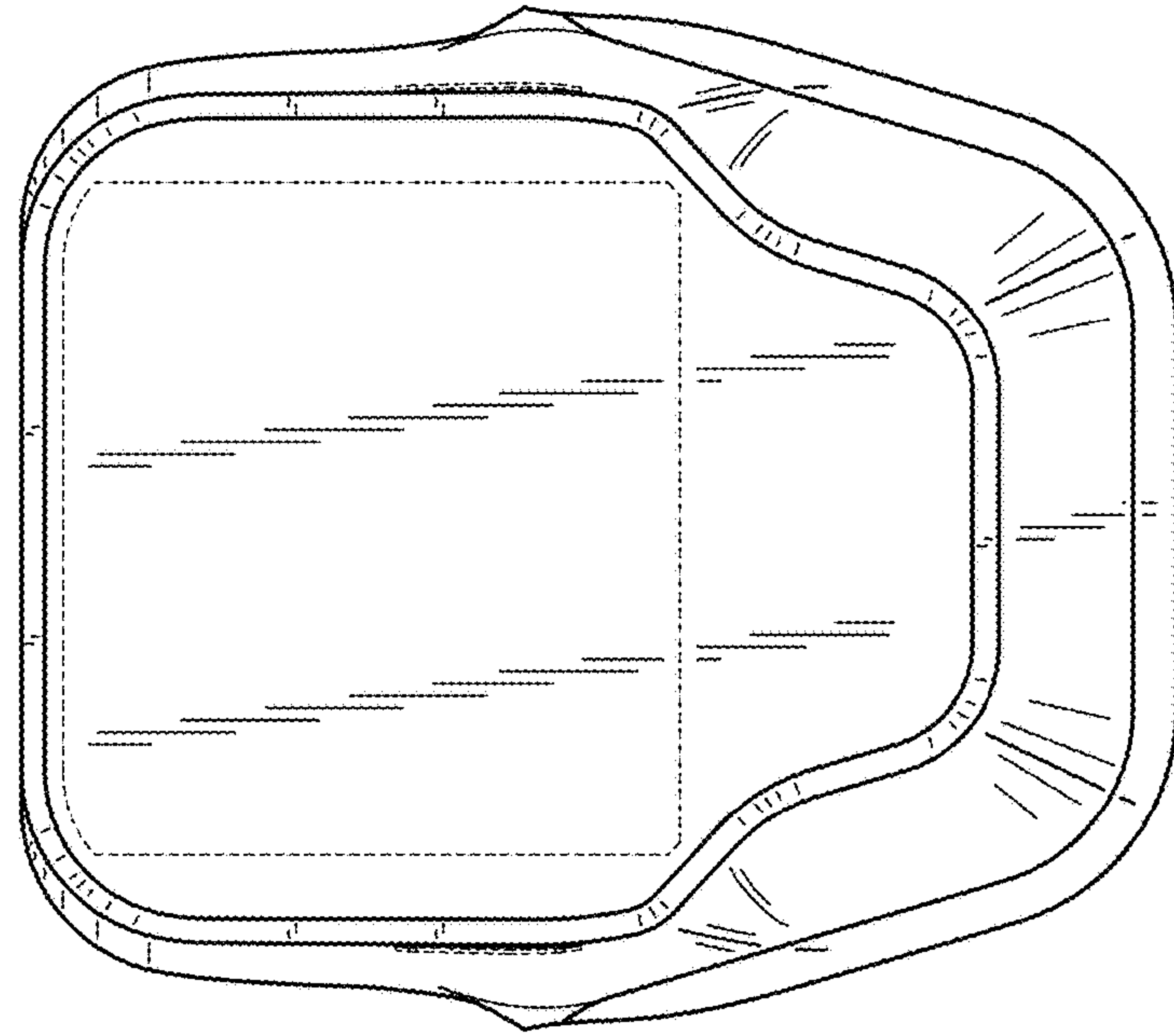


FIG. 6

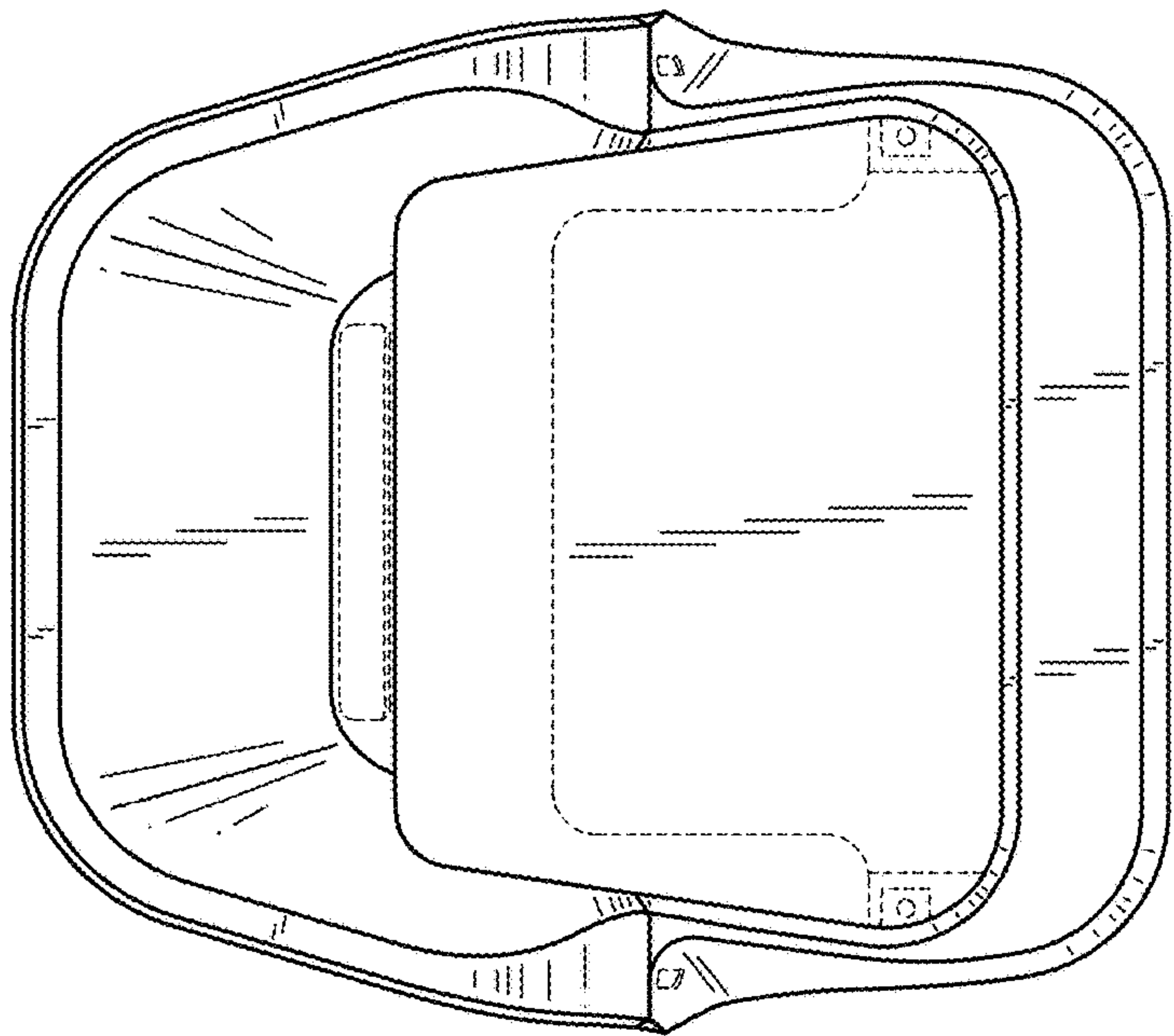
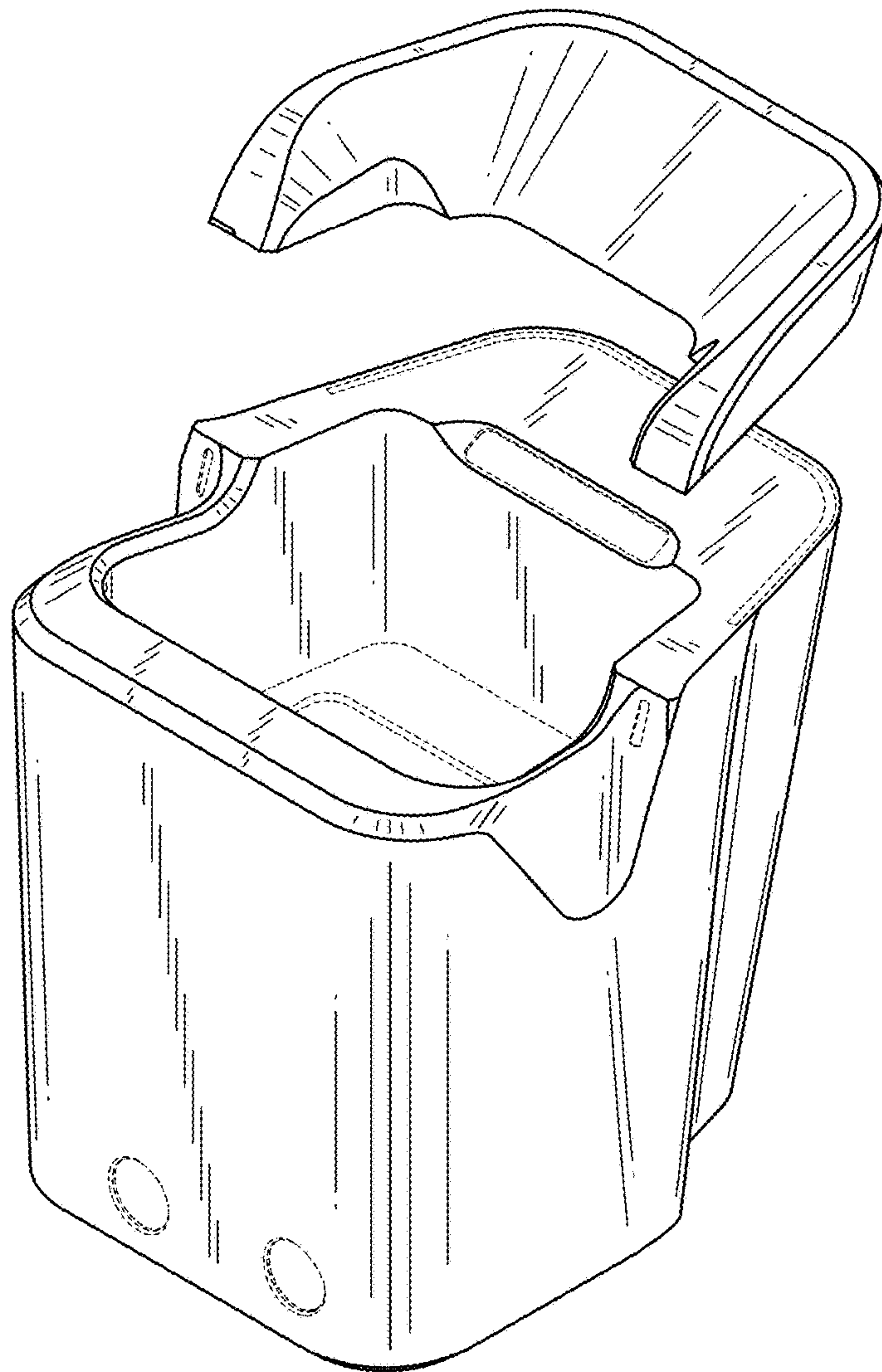


FIG. 5





*FIG. 7*