



US00D801971S

(12) **United States Design Patent** (10) **Patent No.:** **US D801,971 S**
Howell et al. (45) **Date of Patent:** **** Nov. 7, 2017**

- (54) **CAPTURE DEVICE**
- (71) Applicant: **GEMALTO SA**, Meudon (FR)
- (72) Inventors: **Brett A. Howell**, Ramsey, MN (US);
Robert W. Shannon, Roseville, MN (US); **Brian L. Linzie**, Stillwater, MN (US)
- (73) Assignee: **GEMALT SA**, Meudon (FR)
- (**) Term: **15 Years**
- (21) Appl. No.: **29/578,097**
- (22) Filed: **Sep. 19, 2016**
- (51) **LOC (10) Cl.** **14-02**
- (52) **U.S. Cl.**
USPC **D14/384**
- (58) **Field of Classification Search**
USPC D14/300–302, 313, 314, 341, 348–370,
D14/383, 385, 432, 436, 496, 125, 135,
D14/134, 155, 167, 168, 230, 231, 233,
D14/235, 237, 240–242, 299; D10/65,
D10/75, 78; D13/103, 149, 162, 184,
D13/199; D18/4.4–4.6, 12.1, 56;
361/679.31–679.45, 752; 711/100, 115;
382/115, 124; 356/71; 235/380, 461,
235/382, 472.01, 472.02; D3/201, 273
CPC G06K 9/00006; G06K 7/0013; G06K
9/00026; G06F 21/00; G06Q 30/00
See application file for complete search history.

D351,144 S *	10/1994	Fishbine	D14/384
D393,837 S *	4/1998	Umetsu	D14/384
D478,905 S *	8/2003	Byrne	D14/384
D487,266 S *	3/2004	Morimiya	D14/384
D518,050 S *	3/2006	Wood	D14/384
D542,291 S *	5/2007	Kang	D14/384
D584,730 S *	1/2009	Lin	D14/383
D593,559 S *	6/2009	Lin	D14/384
7,792,337 B2	9/2010	Higuchi	
D741,862 S *	10/2015	Beroukhim	D14/384
D782,479 S *	3/2017	Bruno	D14/384
D791,133 S *	7/2017	Brownlee	D14/384
2009/0204010 A1	8/2009	Mochizuki	

* cited by examiner

Primary Examiner — Austin Murphy
(74) *Attorney, Agent, or Firm* — The Jansson Firm; Pehr B. Jansson

(57) **CLAIM**

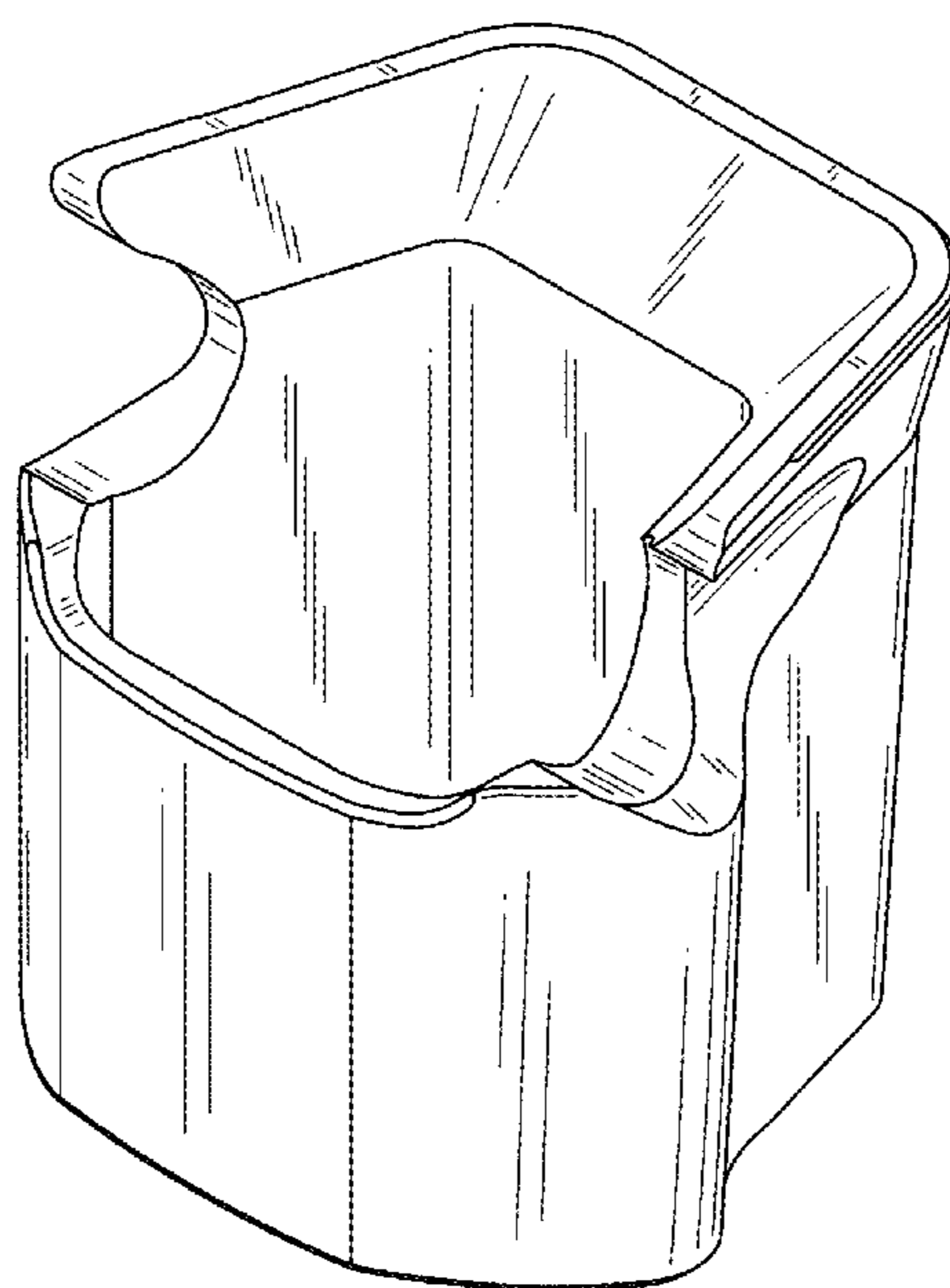
The ornamental design for a capture device, as shown and described.

DESCRIPTION

FIG. 1 is a perspective view showing the new design for a capture device;
FIG. 2 is a front view thereof;
FIG. 3 is a side view thereof;
FIG. 4 is a rear view thereof;
FIG. 5 is a top view thereof; and,
FIG. 6 is a bottom view thereof.
The surface shading illustrated in the drawings is provided merely to highlight the contour of design; it is not intended to be illustrative of texture or gloss.

1 Claim, 3 Drawing Sheets

- (56) **References Cited**
U.S. PATENT DOCUMENTS
4,792,226 A * 12/1988 Fishbine G06K 9/00046
356/71
D302,153 S * 7/1989 Karecki D14/384



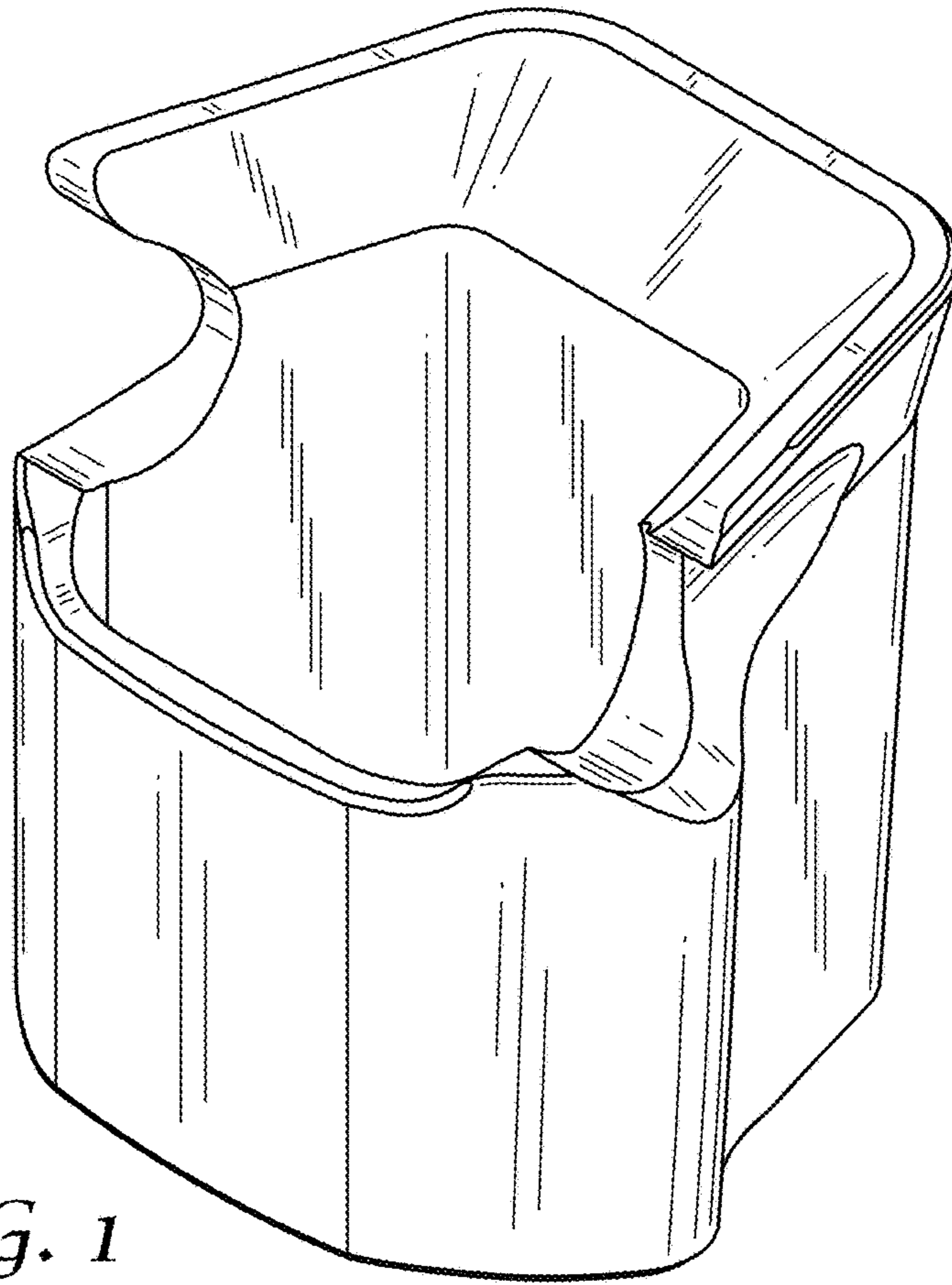


FIG. 1

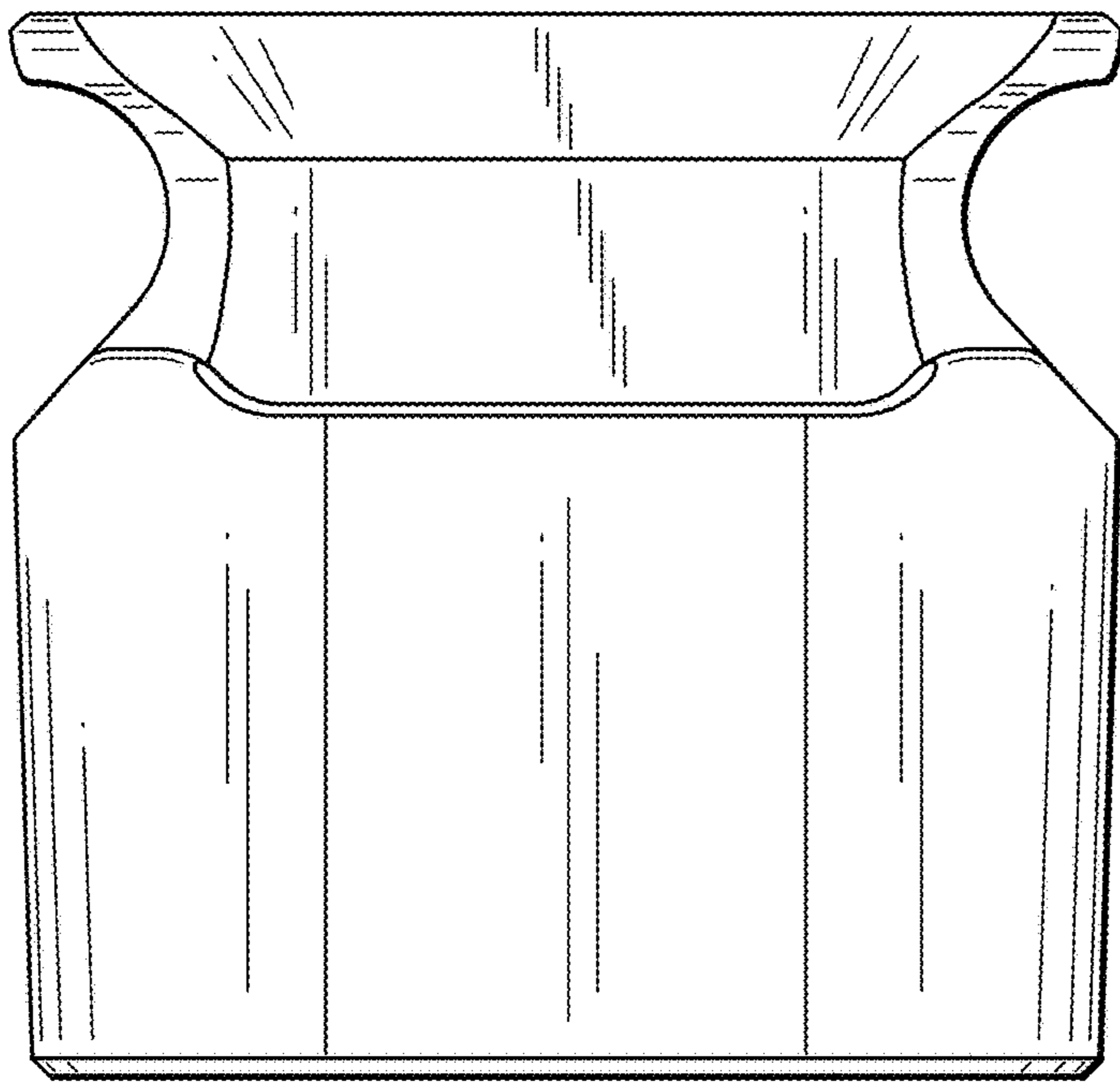


FIG. 2

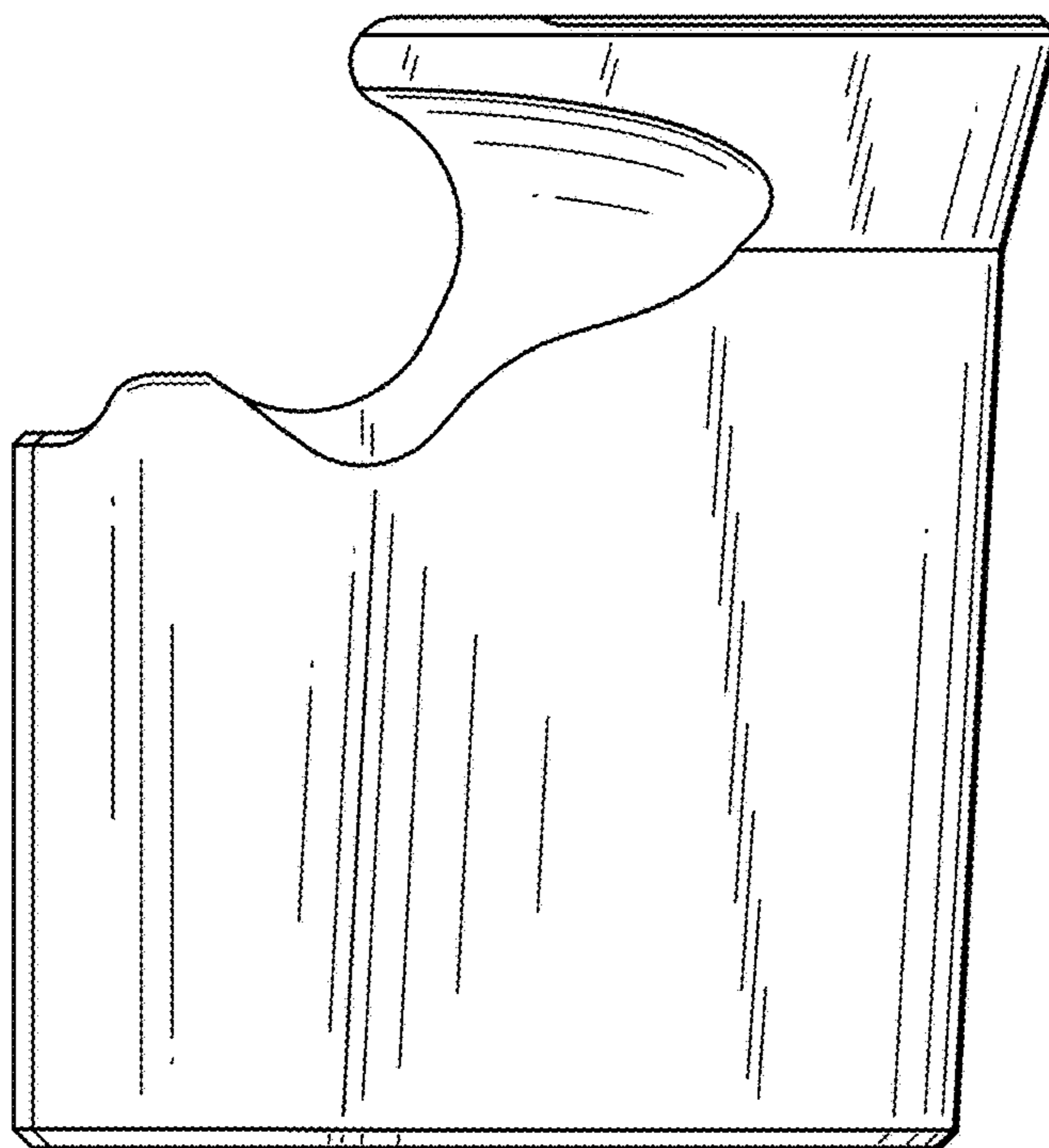


FIG. 3

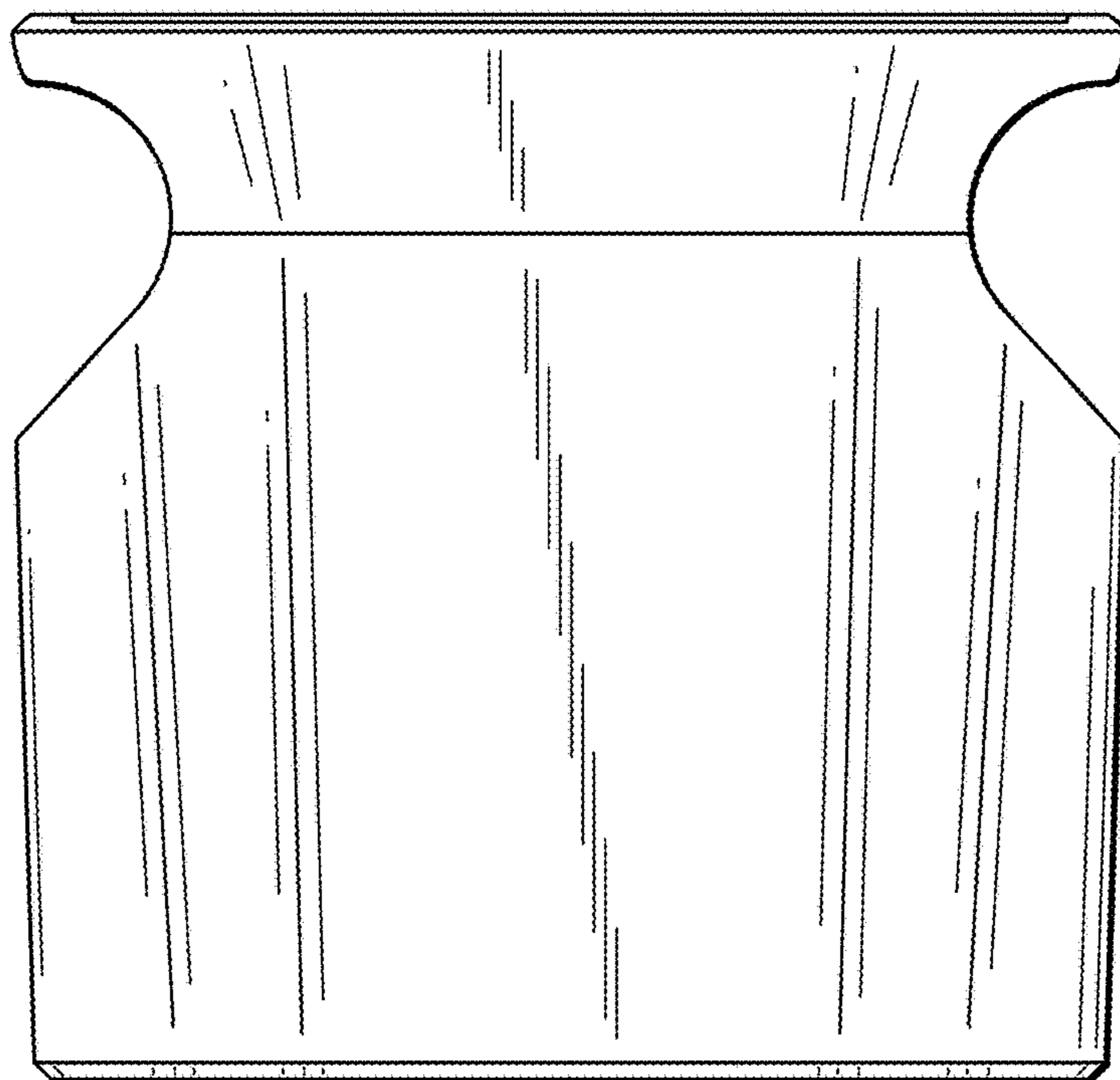


FIG. 4

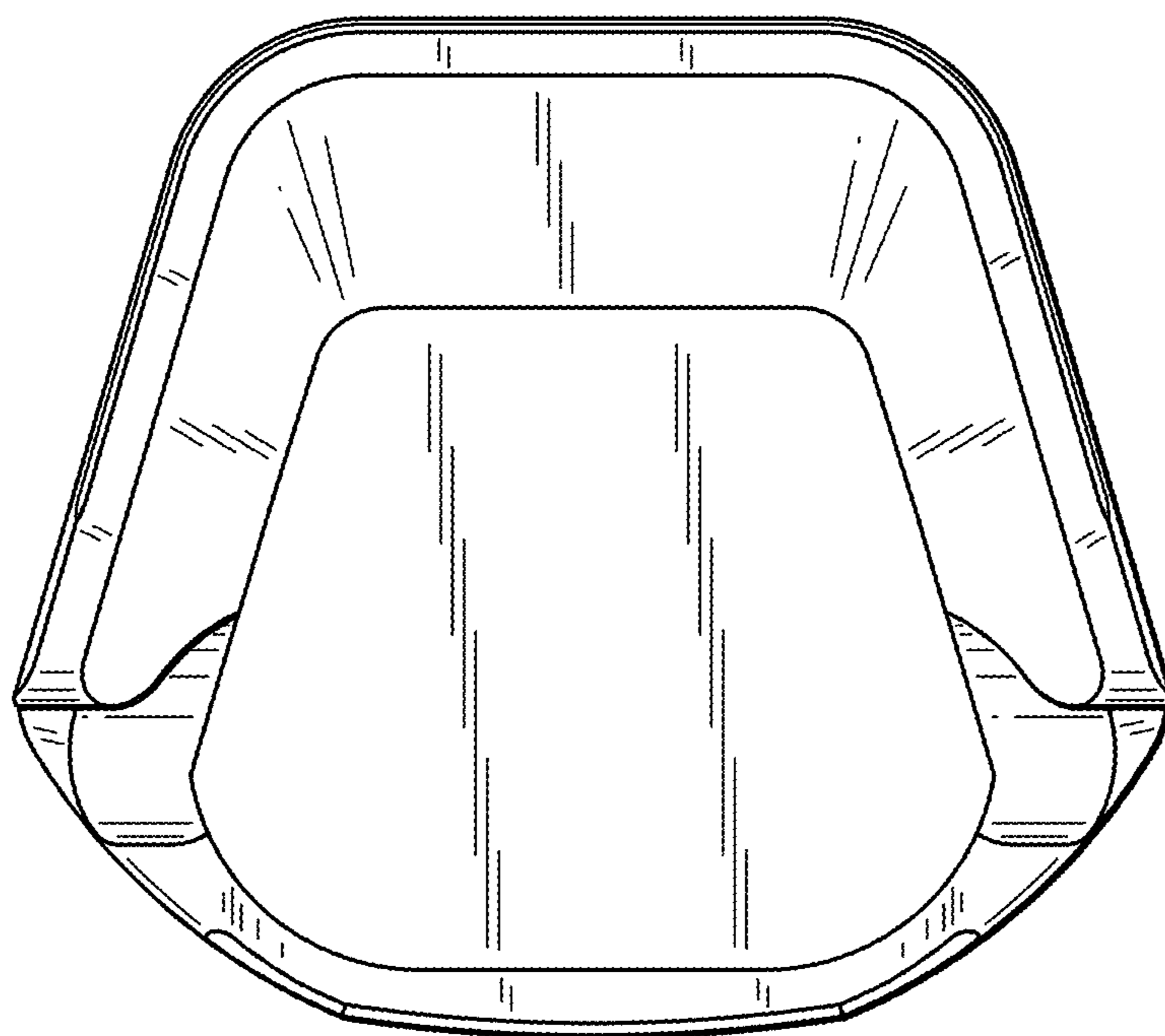


FIG. 5

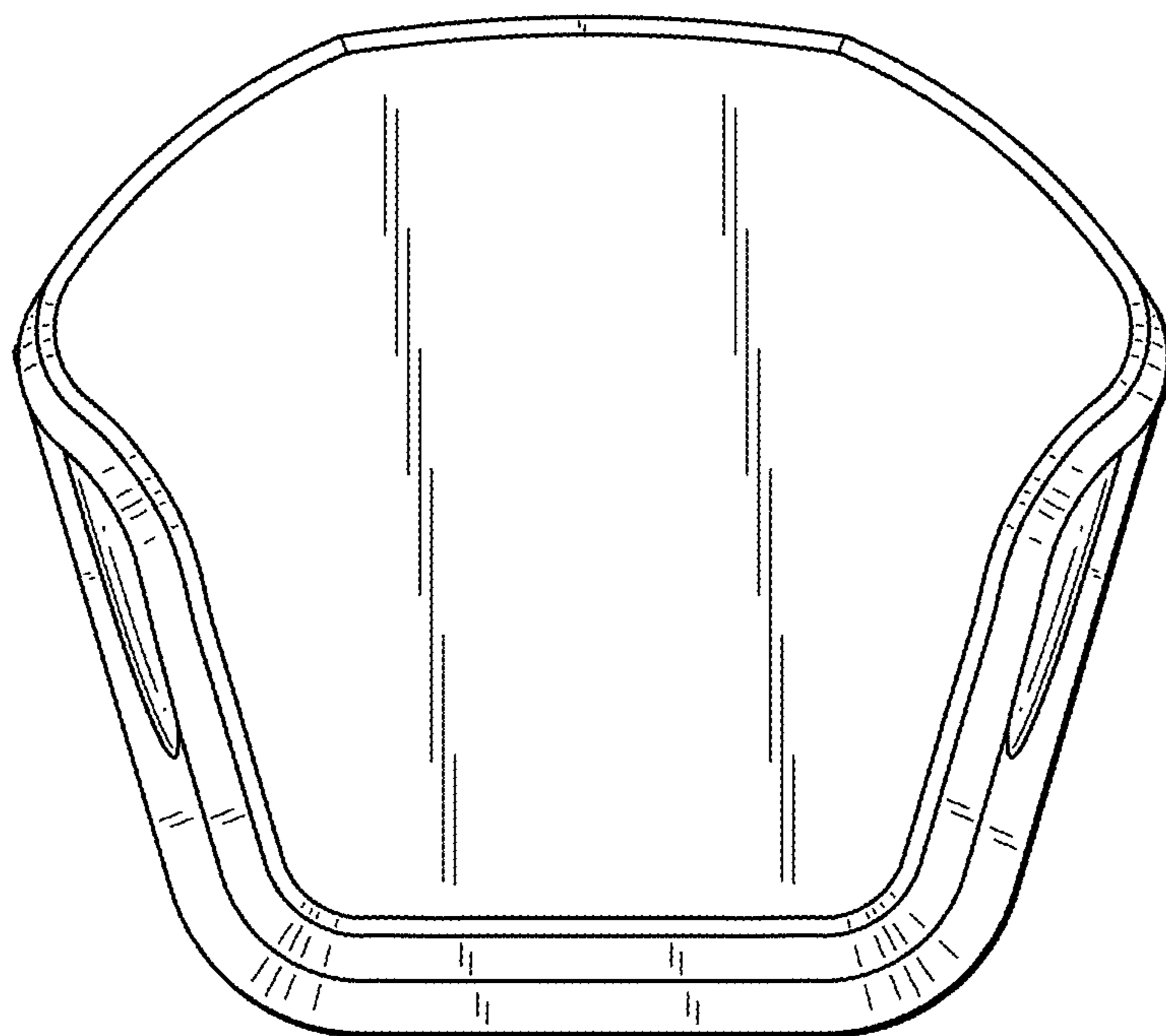


FIG. 6