



US00D801970S

(12) **United States Design Patent** (10) **Patent No.:** **US D801,970 S**
Sullivan et al. (45) **Date of Patent:** **** Nov. 7, 2017**

(54) **HEAD MOUNTED DISPLAY**

27/0161; G02B 27/0181; G02B 27/0185;
G02B 27/0189

See application file for complete search history.

(71) Applicant: **Oculus VR, LLC**, Menlo Park, CA
(US)

(56) **References Cited**

(72) Inventors: **Joseph Patrick Sullivan**, Issaquah, WA
(US); **Yi-yaun Chen**, Seattle, WA (US);
Peter Wesley Bristol, Seattle, WA
(US); **David Michael Pickett**, Seattle,
WA (US); **Enric Vial Roig**, Seattle, WA
(US)

U.S. PATENT DOCUMENTS

(73) Assignee: **Oculus VR, LLC**, Menlo Park, CA
(US)

5,003,300	A *	3/1991	Wells	G02B 13/16 340/980
D427,982	S	7/2000	Ishii	
D499,397	S	12/2004	Hlas et al.	
D669,471	S	10/2012	Hwang et al.	
D719,953	S	12/2014	Nokuo et al.	
D722,054	S	2/2015	Serota	
D727,896	S	4/2015	Laluque	
D732,028	S	6/2015	Kim et al.	
D735,691	S	8/2015	Sparks et al.	
D738,374	S	9/2015	Luckey et al.	
D739,855	S	9/2015	Bosveld et al.	
D740,810	S	10/2015	Bosveld et al.	
D740,811	S	10/2015	Bosveld et al.	
D741,324	S	10/2015	Adams et al.	
D741,327	S	10/2015	Reznik et al.	
D741,860	S	10/2015	Bosveld et al.	
D748,628	S	2/2016	Bosveld et al.	
D749,580	S	2/2016	Kim et al.	
D749,583	S	2/2016	Luckey et al.	
D751,072	S	3/2016	Lyons	
D753,111	S	4/2016	Fei et al.	
D753,112	S	4/2016	Fei	
D759,015	S	6/2016	Mehin et al.	
D759,654	S	6/2016	Sullivan et al.	
D759,655	S *	6/2016	Sullivan	D14/372
D760,225	S	6/2016	Passmore et al.	
D761,257	S	7/2016	Passmore et al.	
D764,437	S	8/2016	Yang et al.	
D764,466	S	8/2016	Kim et al.	
D764,467	S	8/2016	Nokuo	
D765,056	S	8/2016	Yang et al.	
D765,074	S	8/2016	Katopis et al.	
D771,625	S *	11/2016	Sullivan	D14/372
D771,627	S	11/2016	Ko et al.	
D773,461	S	12/2016	Jiang et al.	
D776,111	S	1/2017	Baldassi et al.	
D778,909	S	2/2017	Nokuo	
D780,751	S	3/2017	Park et al.	
D781,288	S	3/2017	Park et al.	
D781,289	S	3/2017	Patel	
D783,019	S	4/2017	Letbetter	
D785,619	S	5/2017	Su et al.	
9,638,921	B2 *	5/2017	Miller	G02B 27/0176
D791,125	S *	7/2017	Sullivan	D14/372

(**) Term: **15 Years**

(21) Appl. No.: **29/606,524**

(22) Filed: **Jun. 5, 2017**

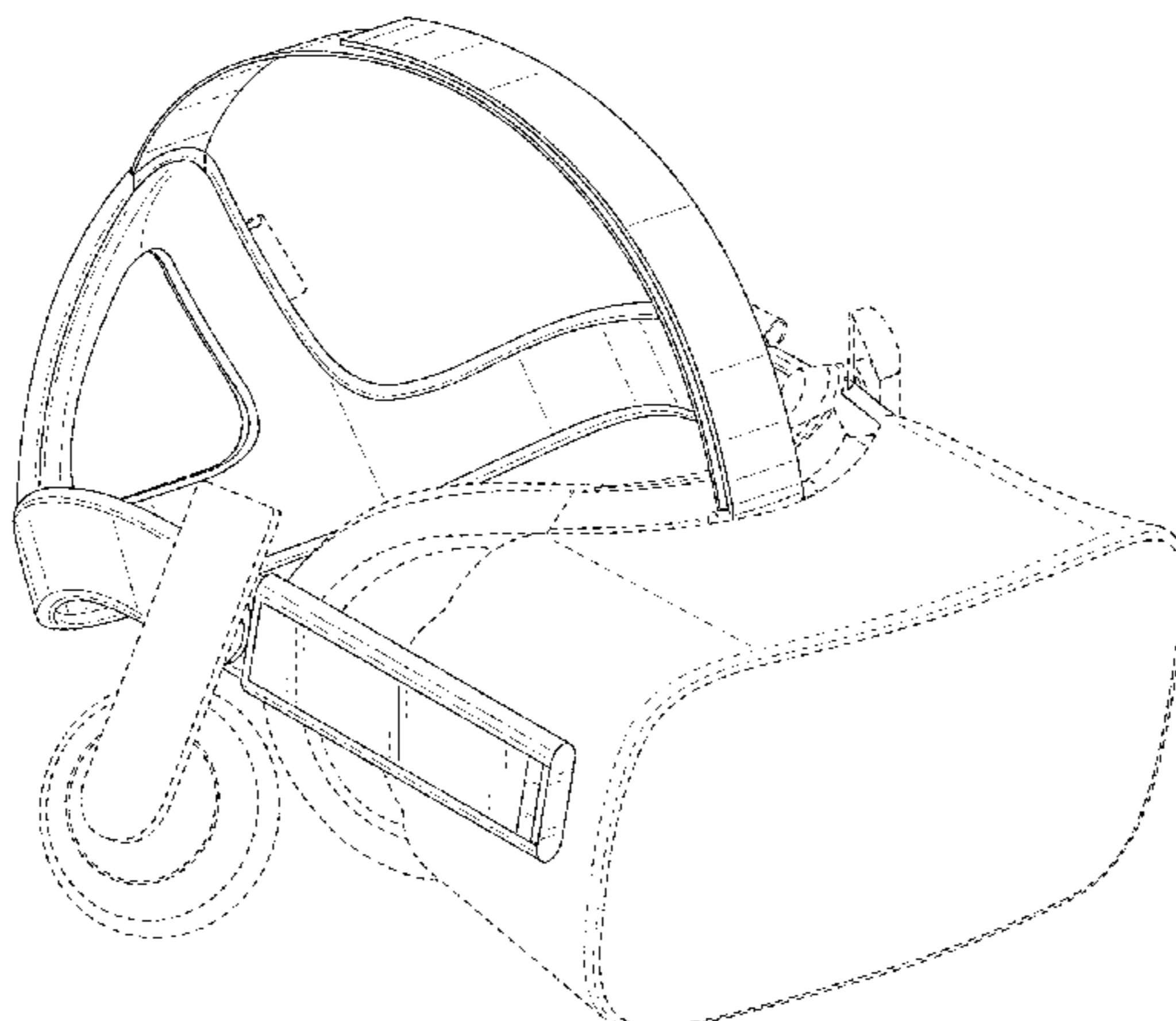
Related U.S. Application Data

(60) Continuation of application No. 29/575,975, filed on
Aug. 30, 2016, now Pat. No. Des. 791,127, which is
a division of application No. 29/529,900, filed on Jun.
11, 2015, now Pat. No. Des. 771,625.

(51) **LOC (10) Cl.** **14-02**

(52) **U.S. Cl.**
USPC **D14/372**

(58) **Field of Classification Search**
USPC D14/372, 496, 432, 371, 125, 126, 129,
D14/299; D16/300-342; 351/158, 153,
351/144; 345/7-9, 905; 455/344;
348/115, 53, 121, 739
CPC G02B 27/017; G02B 27/0158; G02B



D791,126 S *	7/2017	Sullivan	D14/372
D791,127 S *	7/2017	Sullivan	D14/372
D791,128 S *	7/2017	Sullivan	D14/372
D791,129 S *	7/2017	Sullivan	D14/372
D792,399 S	7/2017	Thomas		
D792,401 S	7/2017	Tang et al.		
9,716,932 B2 *	7/2017	Miller	H04R 1/028
2012/0033142 A1 *	2/2012	Thomson	G02B 7/002 348/838
2016/0054571 A1 *	2/2016	Tazbaz	G02B 27/0176 359/630

FOREIGN PATENT DOCUMENTS

JP H1175394 A 3/1999

OTHER PUBLICATIONS

Bishop, R., "Tested Demos the Oculus Rift 'Crescent Bay' Virtual Reality Headset Prototype at Oculus Connect," Laughing Squid, Sep. 26, 2014, 2 pages.

Moynihan, T., "The Oculus Rift is Coming in Early 2016," Wired, May 6, 2015, 2 pages.

"Oculus Rift Virtual Reality Headset," Uncrate, May 8, 2015, 2 pages.

Seppala, T., "Oculus Rift goes mainstream early 2016," Engadget, May 6, 2015, 9 pages.

Blain, L., "'Ancient' Oculus Rift concepts leak new controller and front-facing camera," gamesradar, Jun. 9, 2015, 13 pages.

Lang, B., "Oculus Rift Input Controller Revealed in Leaked 'Placeholder Concept,'" Jun. 9, 2015, 2 pages.

Orland, K., "Leaked images could point to Oculus controller, final Rift design," arstechnica, Jun. 9, 2015, 3 pages.

Pro Audio Japan, "Product Information: MPC Headphones: Akai Professional," Mar. 4, 2014, retrieved online at <<http://akai-pro.jp/mpc-headphones/>>, JPO Publicly Known Design No. HJ25065259, 3 pages.

Design of Head Mounted Display, Goods Press, No. 5, May 10, 2015, JPO Publicly Known Design No. HA27001471, 3 pages.

Design of headphone, Sound & Vision, No. 3, Apr. 2014, p. 28, JPO Publicly Known Design No. HB26000843.

Form Zeitschrift fur Gestaltung, No. 2, vol. 258, p. 51 (JPO Publicly Known Design No. HB27000746).

Chinese Design Gazette, No. 15-48, (Dec. 2, 2015), CN3034793685 (JPO Publicly Known Design No. HH27008199).

EU Design Gazette, (Oct. 27, 2015), 002820712-0001 (JPO Publicly Known Design No. HH27205425).

First Examiner's Report in Australian Patent Application No. 366106, dated Feb. 26, 2016, 2 pages.

Second Examiner's Report in Australian Patent Application No. 366106, dated Jul. 19, 2016, 2 pages.

First Examiner's Report in Australian Patent Application No. 366107, dated Feb. 26, 2016, 2 pages.

First Examiner's Report in Australian Patent Application No. 366109, dated Feb. 26, 2016, 2 pages.

First Examiner's Report in Australian Patent Application No. 366110, dated Feb. 26, 2016, 2 pages.

First Examiner's Report in Australian Patent Application No. 366111, dated Feb. 26, 2016, 2 pages.

First Examiner's Report in Australian Patent Application No. 366112, dated Feb. 26, 2016, 2 pages.

First Examiner's Report in Canadian Patent Application No. 163156, dated Nov. 24, 2015, 5 pages.

First Examiner's Report in Canadian Patent Application No. 167488, dated Apr. 7, 2016, 5 pages.

First Examiner's Report in Canadian Patent Application No. 167489, dated Apr. 7, 2016, 3 pages.

First Examiner's Report in Canadian Patent Application No. 167490, dated Apr. 7, 2016, 3 pages.

First Examiner's Report in Canadian Patent Application No. 167491, dated Apr. 7, 2016, 3 pages.

First Examiner's Report in Canadian Patent Application No. 167487, dated Sep. 13, 2016, 4 pages.

First Examiner's Report in Israel Patent Application No. 57744, dated Feb. 4, 2016, 3 pages.

Final Examination Report in Israel Patent Application No. 57744, dated Aug. 3, 2016.

First Examination Report in Israel Patent Application No. 59453, dated Apr. 19, 2017, 2 pages.

First Examination Report in India Patent Application No. 278179, dated Apr. 9, 2016, 2 pages.

First Examination Report in India Patent Application No. 278276, dated May 4, 2016, 2 pages.

First Examination Report in India Patent Application No. 278277, dated Mar. 28, 2016, 2 pages.

First Examination Report in India Patent Application No. 278269, dated May 4, 2016, 2 pages.

First Examination Report in India Patent Application No. 278270, dated May 4, 2016, 2 pages.

First Examination Report in India Patent Application No. 278271, dated Apr. 21, 2016, 2 pages.

Further Examiner's Report in Canadian Patent Application No. 163156, dated Aug. 18, 2016, 4 pages.

Further Examiner's Report in Canadian Patent Application No. 167488, dated Aug. 15, 2016, 4 pages.

Further Examiner's Report in Canadian Patent Application No. 167489, dated Aug. 18, 2016, 3 pages.

Further Examiner's Report in Canadian Patent Application No. 167490, dated Aug. 18, 2016, 3 pages.

Further Examiner's Report in Canadian Patent Application No. 167491, dated Aug. 18, 2016, 3 pages.

Japanese Office Action in Patent Application No. 2015-027694, dated Jul. 1, 2016, 4 pages, English Translation.

Notice of Allowance in Japanese Patent Application No. 2015-027694, dated Dec. 16, 2016, 4 pages, English Translation.

Notice of Preliminary Rejection in Korean Patent Application No. 30-2015-0063428, dated May 13, 2016, 3 pages.

Examination Report in India Patent Application No. 289400, dated Jan. 2, 2017, 2 pages.

First Examination Report in India Patent Application No. 289399, dated Jan. 20, 2017, 2 pages.

First Examination Report in India Patent Application No. 289401, dated Jan. 17, 2017, 2 pages.

Office Action in Mexican Patent Application No. MX/f/2015/003770, dated Apr. 18, 2017, 2 pages.

First Examiner's Report in Canadian Patent Application No. 171,281, dated Jan. 27, 2017, 2 pages.

U.S. Appl. No. 29/529,900 by Sullivan, J., et al., filed Jun. 11, 2015.

U.S. Appl. No. 29/575,975 by Sullivan, J. et al., filed Aug. 30, 2016.

U.S. Appl. No. 29/575,968 by Sullivan, J. et al., filed Aug. 30, 2016.

U.S. Appl. No. 29/575,971 by Sullivan, J. et al., filed Aug. 30, 2016.

U.S. Appl. No. 29/575,981 by Sullivan, J. et al., filed Aug. 30, 2016.

U.S. Appl. No. 29/575,982 by Sullivan, J., et al., filed Aug. 30, 2016.

U.S. Appl. No. 29/579,866 by Yee, P., et al., filed Oct. 4, 2016.

U.S. Appl. No. 29/579,868 by Yee, P., et al., filed Oct. 4, 2016.

U.S. Appl. No. 29/579,873 by Yee, P., et al., filed Oct. 4, 2016.

U.S. Appl. No. 29/579,896 by Yee, P., et al., filed Oct. 4, 2016.

U.S. Appl. No. 29/579,881 by Yee, P., et al., filed Oct. 4, 2016.

U.S. Appl. No. 29/579,890 by Yee, P., et al., filed Oct. 4, 2016.

U.S. Appl. No. 29/579,870 by Yee, P., et al., filed Oct. 4, 2016.

U.S. Appl. No. 29/579,875 by Hammerstein, J., et al., filed Oct. 4, 2016.

Restriction Requirement dated Aug. 8, 2016, for U.S. Appl. No. 29/529,900, of Sullivan, J. filed Jun. 11, 2015.

Notice of Allowance dated Oct. 5, 2016, for U.S. Appl. No. 29/529,900, of Sullivan, J. filed Jun. 11, 2015.

Notice of Allowance dated May 1, 2017, for U.S. Appl. No. 29/575,968, of Sullivan, J. filed Aug. 30, 2016.

Notice of Allowance dated May 1, 2017, for U.S. Appl. No. 29/575,971, of Sullivan, J. filed Aug. 30, 2016.

Notice of Allowance dated May 3, 2017, for U.S. Appl. No. 29/575,975, of Sullivan, J. filed Aug. 30, 2016.

Notice of Allowance dated May 3, 2017, for U.S. Appl. No. 29/575,981, of Sullivan, J. filed Aug. 30, 2016.

Notice of Allowance dated May 8, 2017, for U.S. Appl. No. 29/575,982, of Sullivan, J. filed Aug. 30, 2016.

Notice of Allowance dated Aug. 15, 2017, for U.S. Appl. No. 29/579,896, of Yee, P. filed Oct. 4, 2016.

Supplemental Notice of Allowability dated Sep. 15, 2017 for U.S. Appl. No. 29/579,890 of Yee, P. filed Oct. 4, 2016.

Supplemental Notice of Allowability dated Sep. 20, 2017 for U.S. Appl. No. 29/579,881 of Yee, P. filed Oct. 4, 2016.

* cited by examiner

Primary Examiner — Austin Murphy

(74) *Attorney, Agent, or Firm* — Perkins Coie LLP

(57) **CLAIM**

The ornamental design for a head mounted display, as shown and described.

DESCRIPTION

FIG. 1 is a front isometric view of a third embodiment of a head mounted display showing the new design.

FIG. 2 is a front elevation view thereof.

FIG. 3 is a rear elevation view thereof.

FIG. 4 is a left side elevation view thereof.

FIG. 5 is a right side elevation view thereof.

FIG. 6 is a top plan view thereof; and,

FIG. 7 is a bottom plan view thereof.

Any broken lines in the Figures are for illustrative purposes only and form no part of the claimed design.

1 Claim, 7 Drawing Sheets

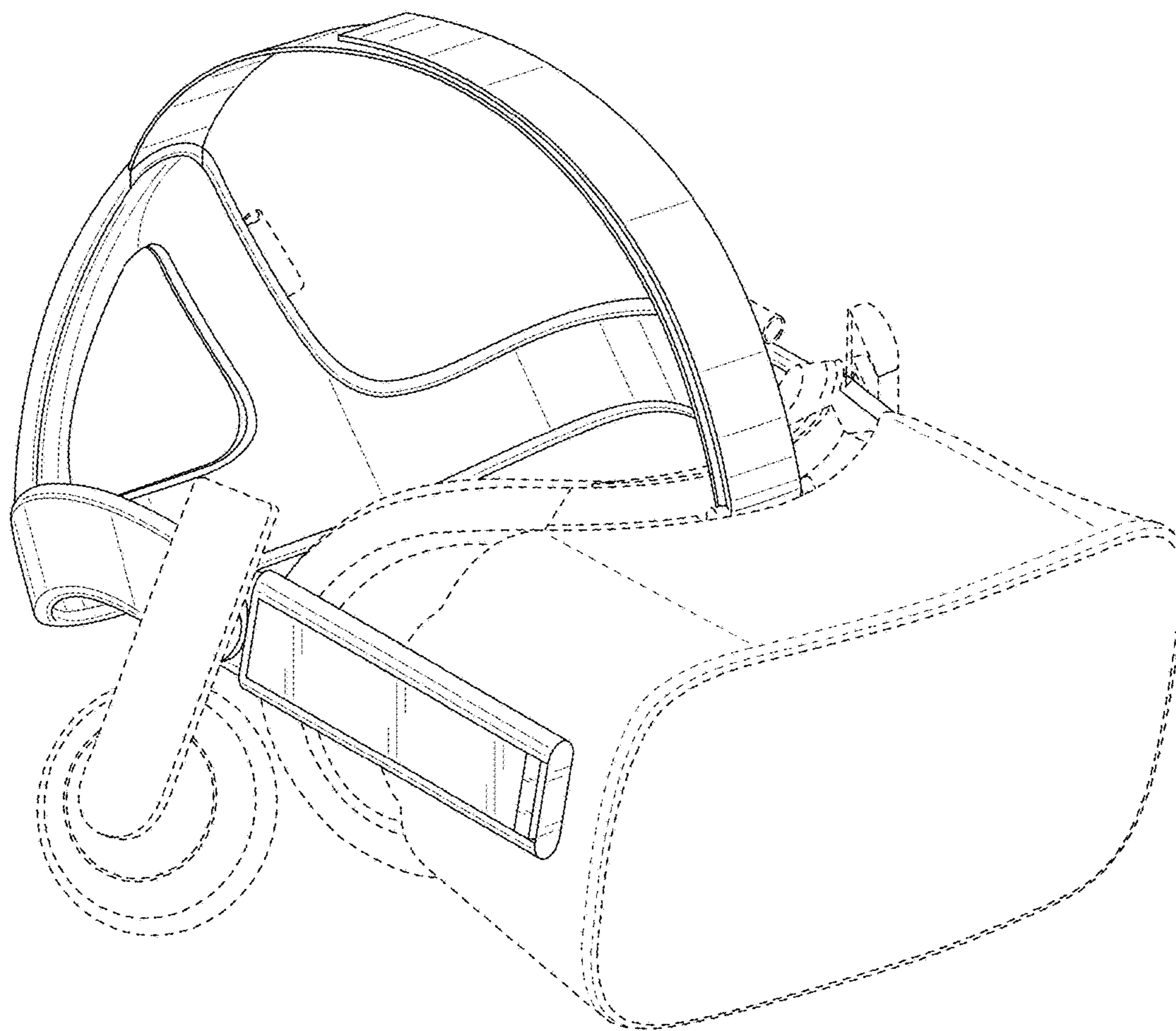


Fig. 1

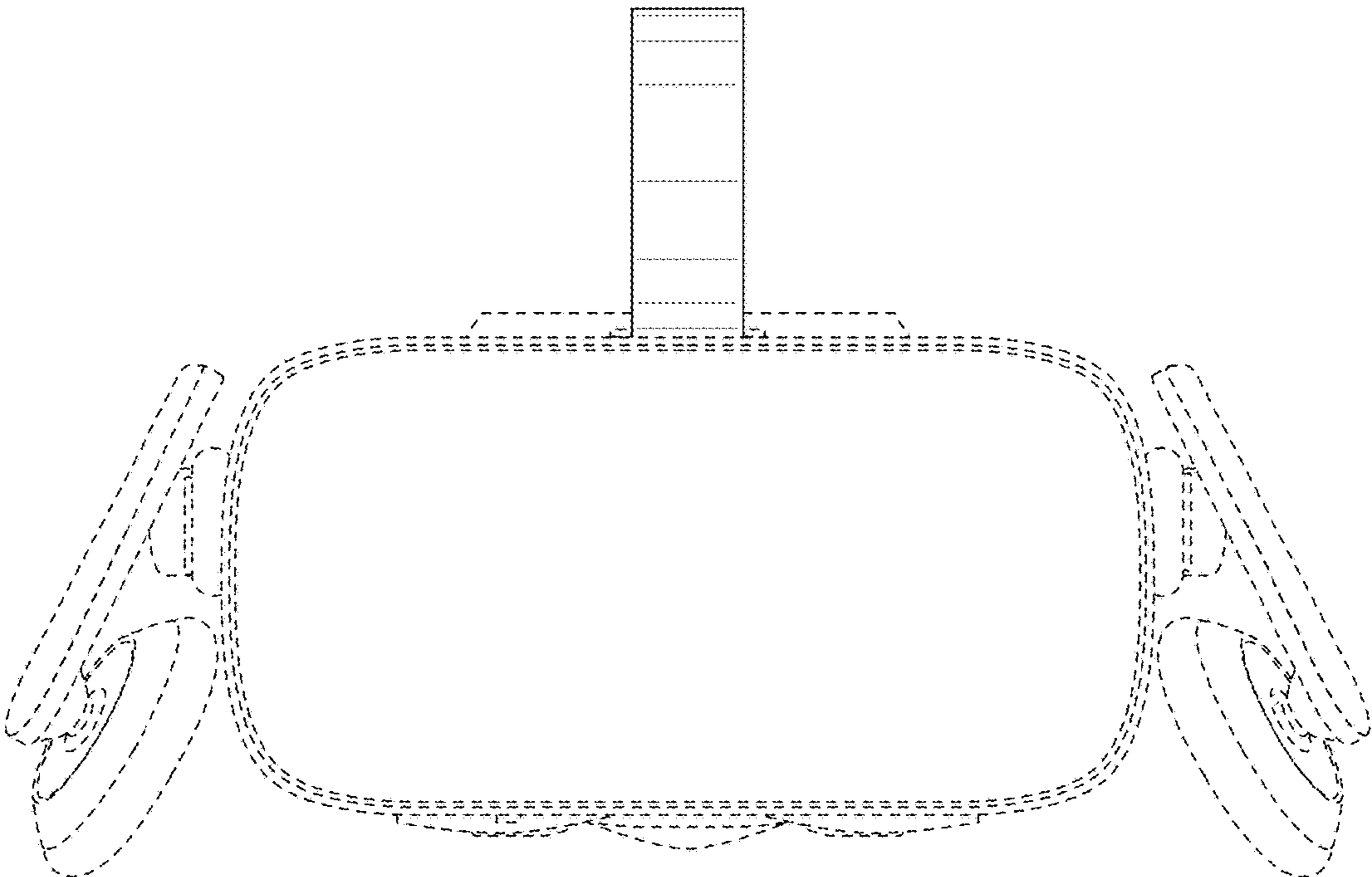


Fig. 2

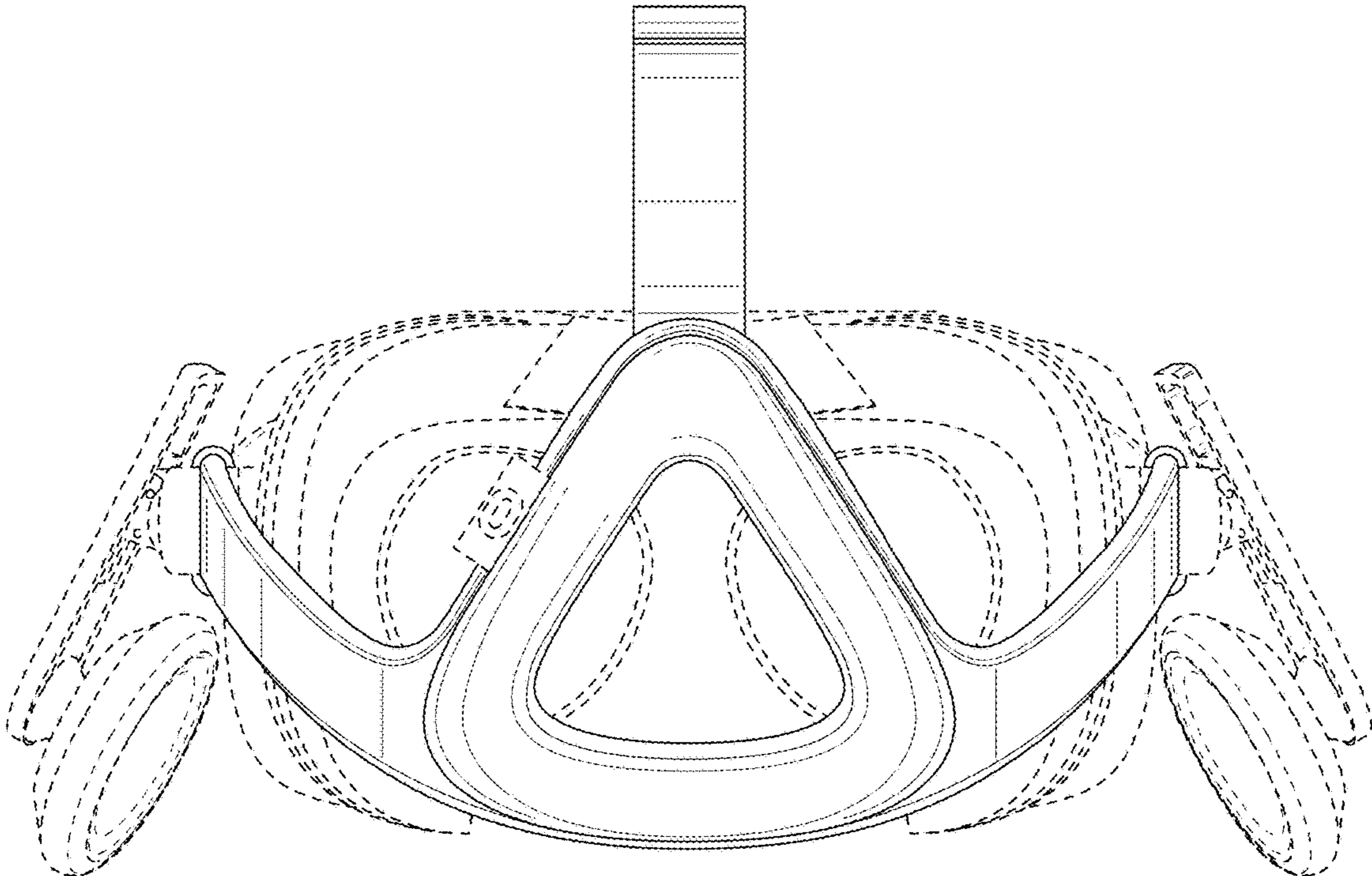


Fig. 3

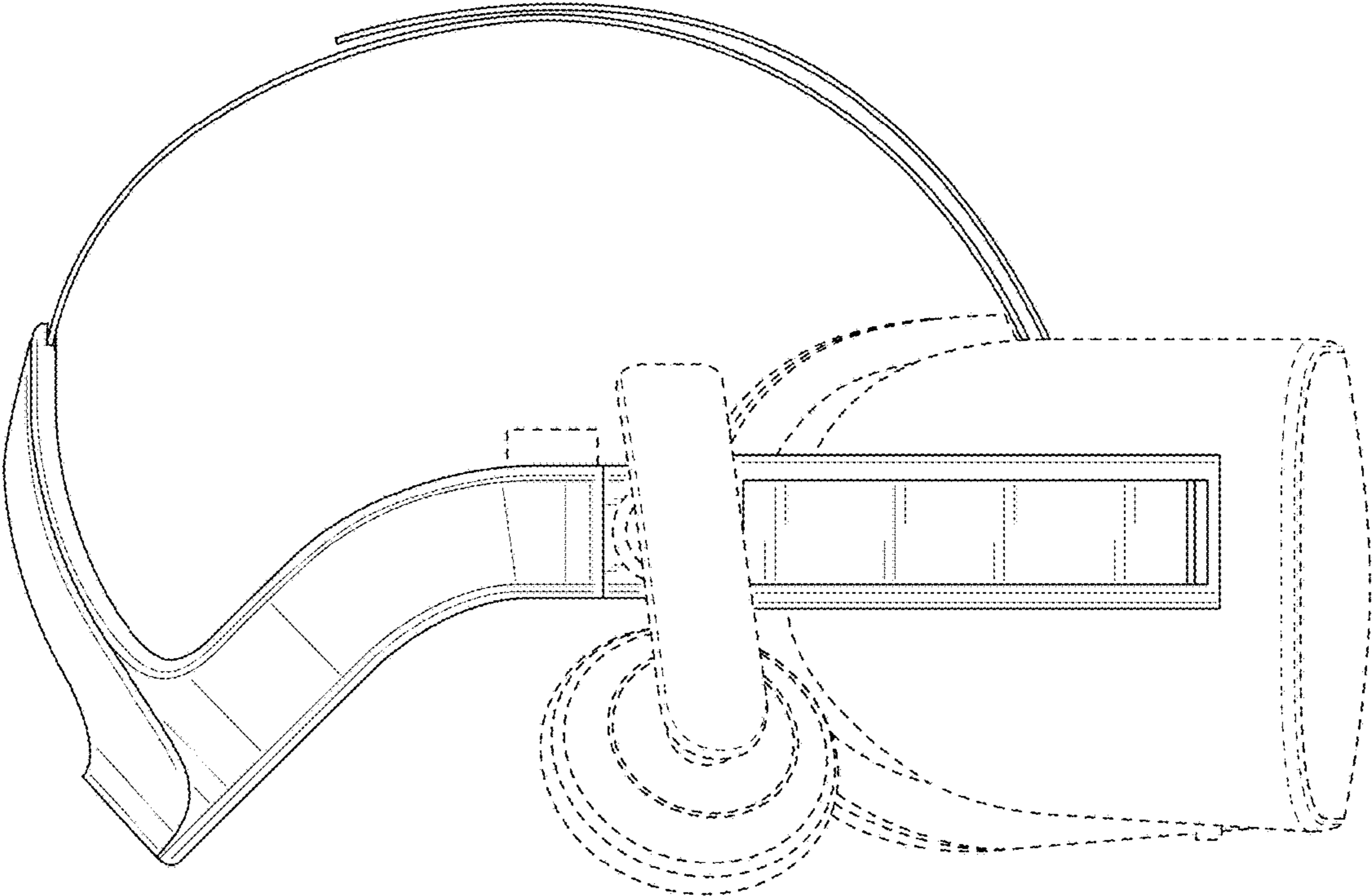


Fig. 4

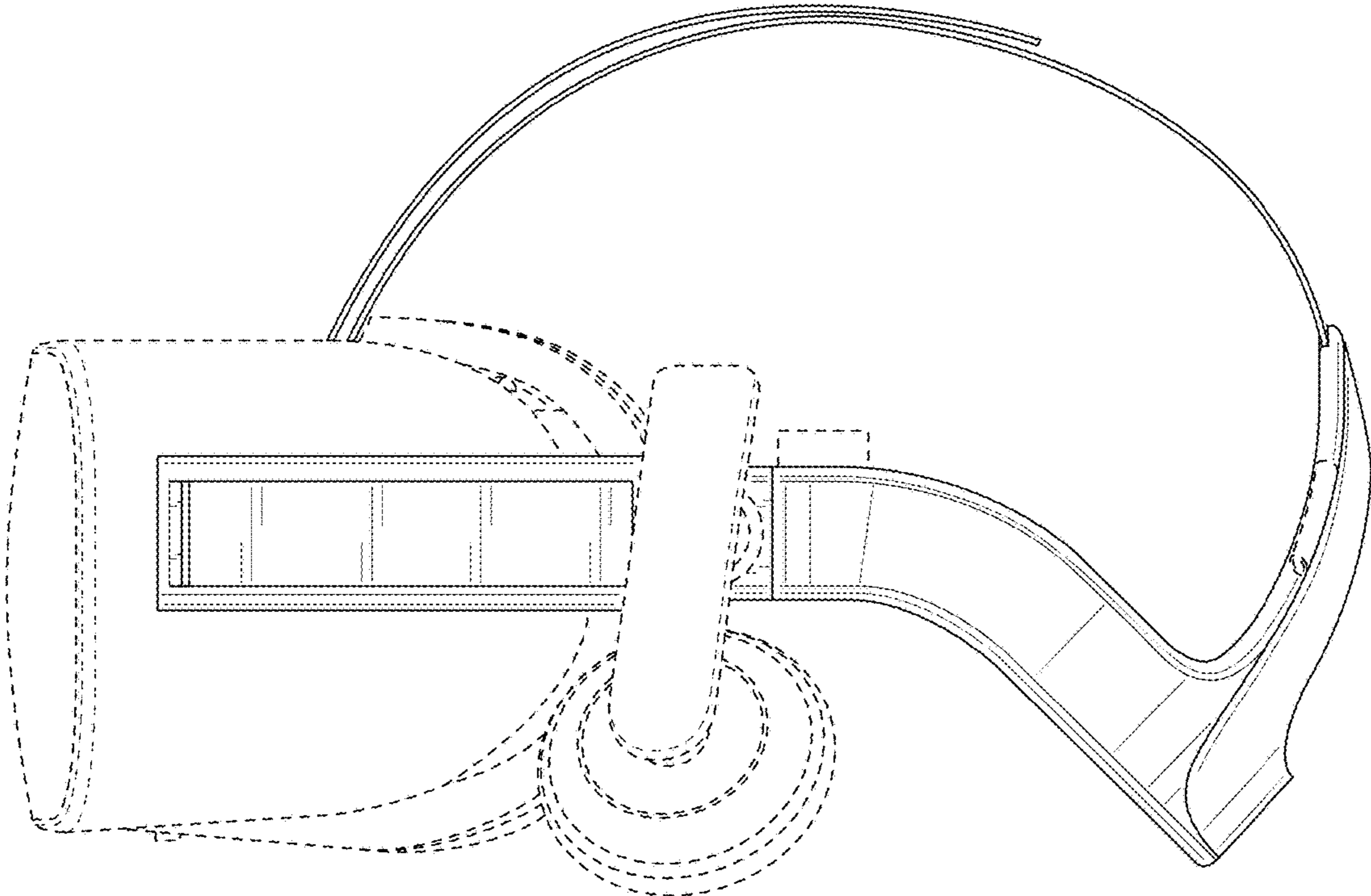


Fig. 5

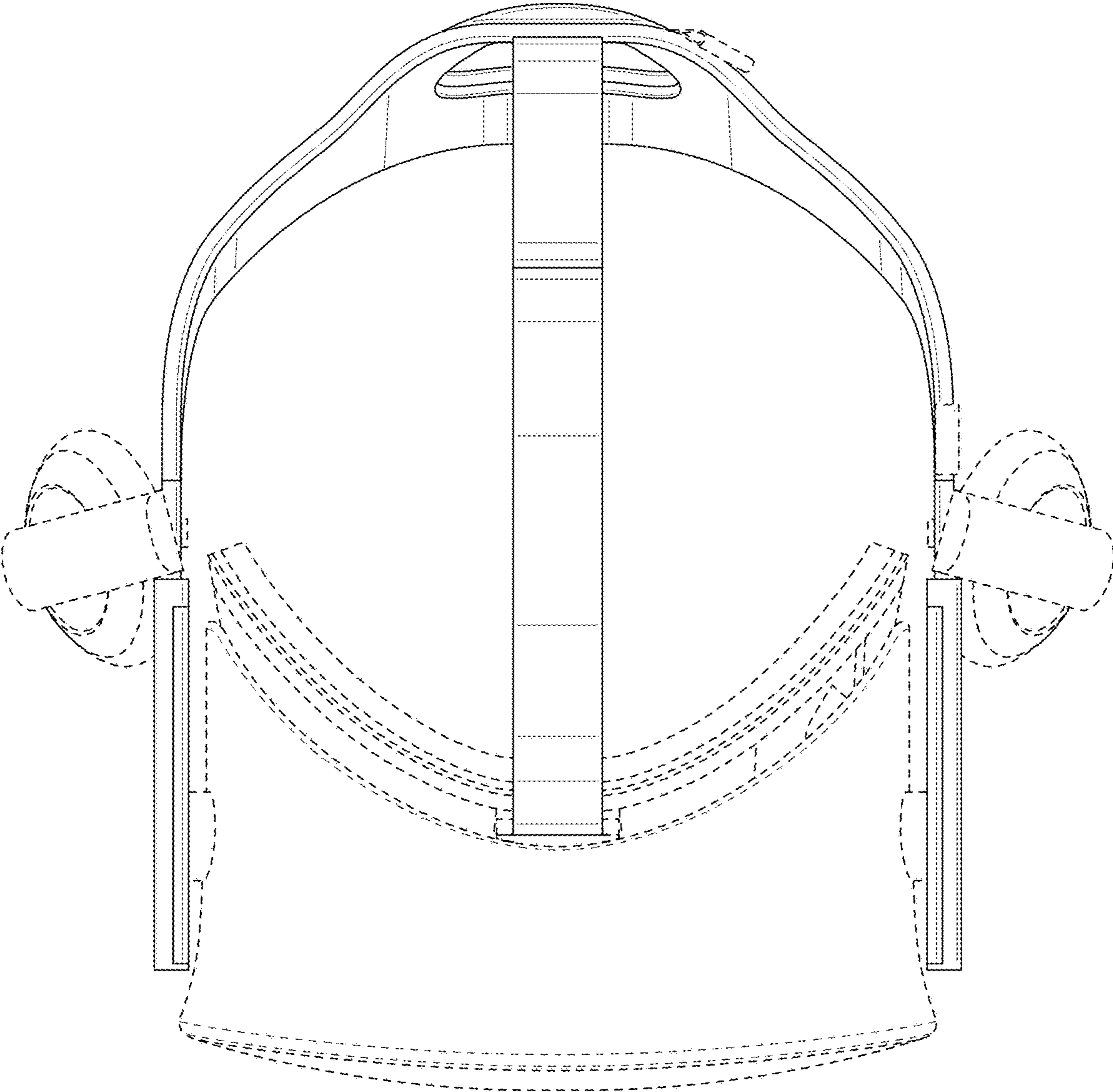


Fig. 6

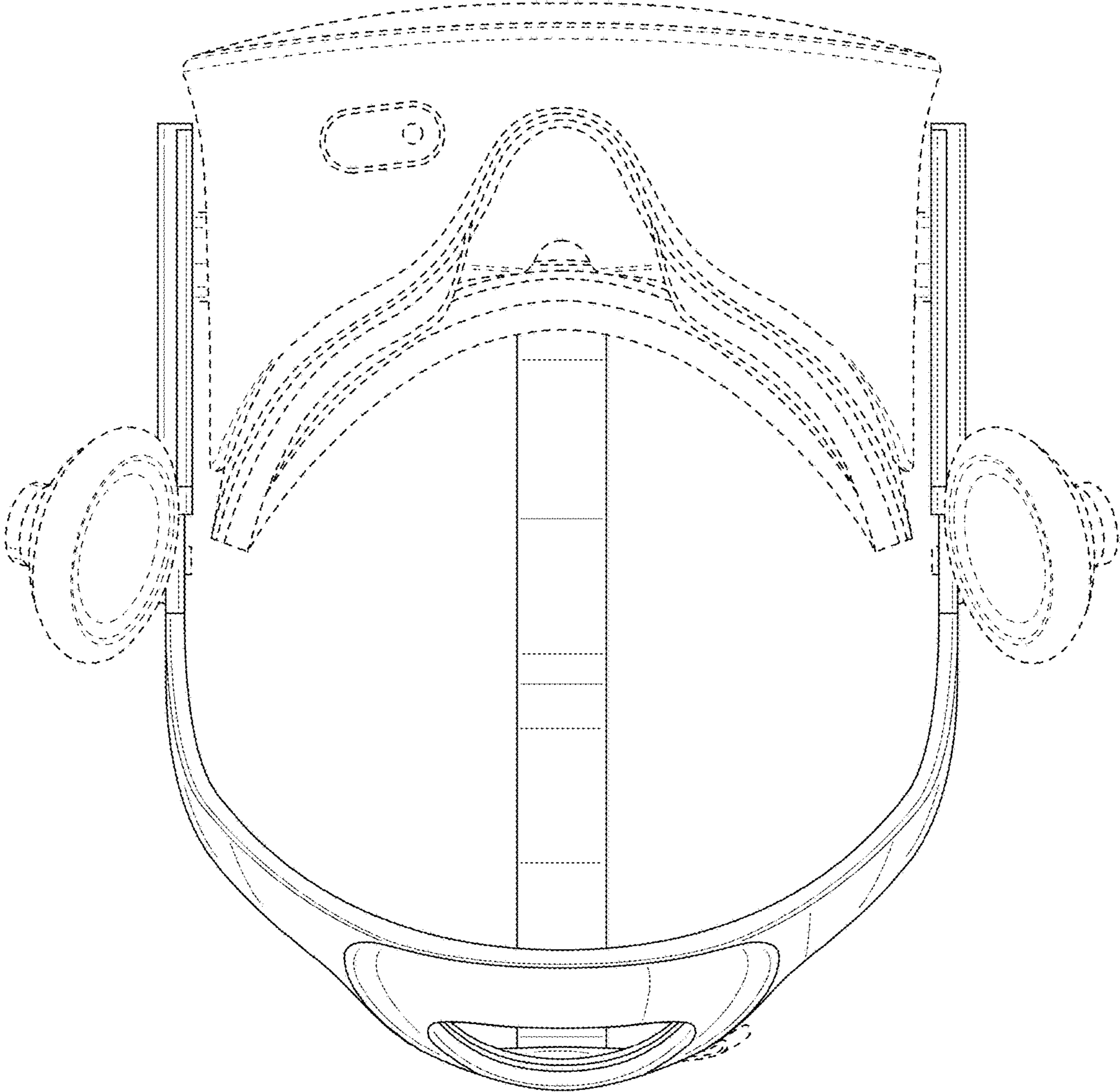


Fig. 7