



US00D801968S

(12) **United States Design Patent** (10) **Patent No.:** **US D801,968 S**  
**Johnson et al.** (45) **Date of Patent:** **\*\* Nov. 7, 2017**

(54) **MACHINE DISPLAY**  
(71) Applicant: **Caterpillar Inc.**, Peoria, IL (US)  
(72) Inventors: **Terril Johnson**, Washington, IL (US);  
**Scott Larson**, Brimfield, IL (US)  
(73) Assignee: **Caterpillar Inc.**, Peoria, IL (US)  
(\*\*) Term: **15 Years**  
(21) Appl. No.: **29/569,809**  
(22) Filed: **Jun. 30, 2016**

D583,687 S 12/2008 Menges et al.  
D589,825 S 4/2009 Bryant et al.  
D596,175 S 7/2009 Viertola et al.  
D651,220 S 12/2011 Ohtonen  
D673,487 S 1/2013 Hanson et al.  
D677,239 S 3/2013 Todorovitch  
D685,397 S 7/2013 Anderson et al.  
D685,398 S 7/2013 Graham et al.  
D715,798 S 10/2014 De La Cruz et al.  
D716,298 S 10/2014 De La Cruz et al.  
D762,642 S \* 8/2016 Johnson ..... D14/341  
2006/0238529 A1 10/2006 Lavelle et al.

(Continued)

**Related U.S. Application Data**

(63) Continuation of application No. 29/511,387, filed on Dec. 10, 2014, now Pat. No. Des. 762,642.  
(51) **LOC (10) Cl.** ..... **14-02**  
(52) **U.S. Cl.**  
USPC ..... **D14/371**; D14/341  
(58) **Field of Classification Search**  
USPC ..... D14/371-375, 125-129, 336, 337, 341, D14/239; 341/12; 345/104, 156, 168, 345/173; 348/180, 184, 325, 739; 349/1, 349/2, 11, 62; 361/679.05-679.07, 361/679.21; D6/300, 308  
CPC ..... G06F 1/16; G06F 1/1601; G06F 3/037; G06F 1/162; G06F 1/1613; G06F 1/133308; F16M 11/02; F16M 11/10; F16M 11/00; F16M 11/06; F16M 11/18; F16M 11/045; F16M 11/105; F16M 11/041; F16M 11/126; F16M 11/04; F16M 13/02; F16M 11/24; A47F 5/00  
See application file for complete search history.

**References Cited**

**U.S. PATENT DOCUMENTS**

D349,691 S 8/1994 Takeichi et al.  
7,145,769 B2 12/2006 Chen

**OTHER PUBLICATIONS**

U.S. Appl. No. 29/500,224, of Cooksey et al., titled "Control Box," filed Aug. 22, 2014.

(Continued)

*Primary Examiner* — Freda S Nunn

(74) *Attorney, Agent, or Firm* — Saidman DesignLaw Group

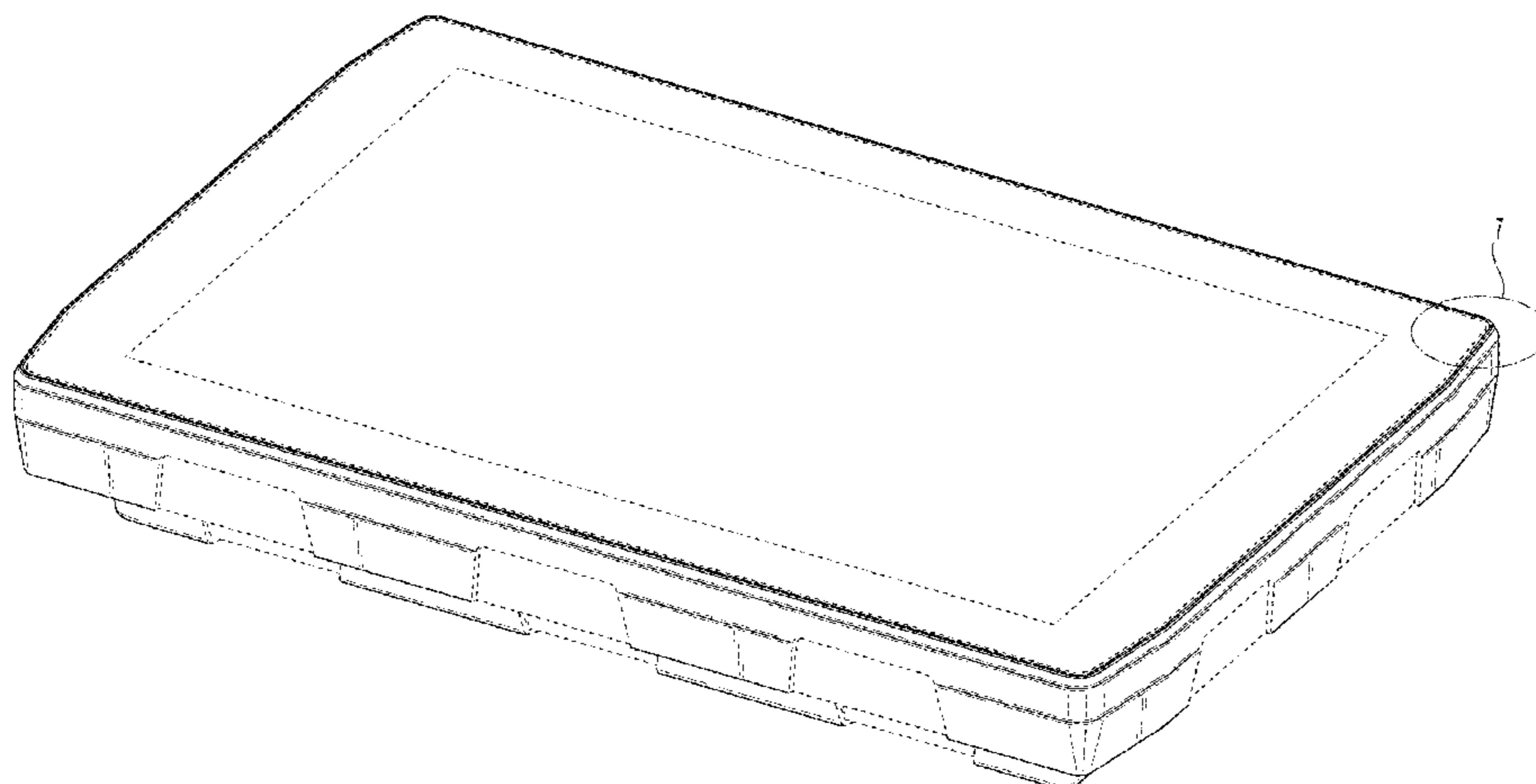
**CLAIM**

(57) The ornamental design for a machine display, as shown and described.

**DESCRIPTION**

FIG. 1 is a perspective view of a machine display showing our new design;  
FIG. 2 is a front view thereof;  
FIG. 3 is a rear view thereof;  
FIG. 4 is a left side view thereof, the right side being a mirror image thereof;  
FIG. 5 is top view thereof;  
FIG. 6 is a bottom view thereof; and,  
FIG. 7 is an enlargement of the encircled area in FIG. 1. The dashed broken lines illustrate structures or features which form no part of the claimed design. The dot-dash broken lines encircle areas of enlargement.

**1 Claim, 6 Drawing Sheets**



(56)

**References Cited**

U.S. PATENT DOCUMENTS

2013/0193149 A1 8/2013 Balourdet  
2016/0056688 A1 2/2016 Cooksey et al.

OTHER PUBLICATIONS

Images of CAT Generator Set Control Box and Panel, available as early as Aug. 22, 2014.

U.S. Appl. No. 29/500,210, of Cooksey et al., titled "Control Panel," filed Aug. 22, 2014.

CAT phones, [www.catphones.com/en-gb/phones](http://www.catphones.com/en-gb/phones), available as early as Dec. 10, 2014.

\* cited by examiner

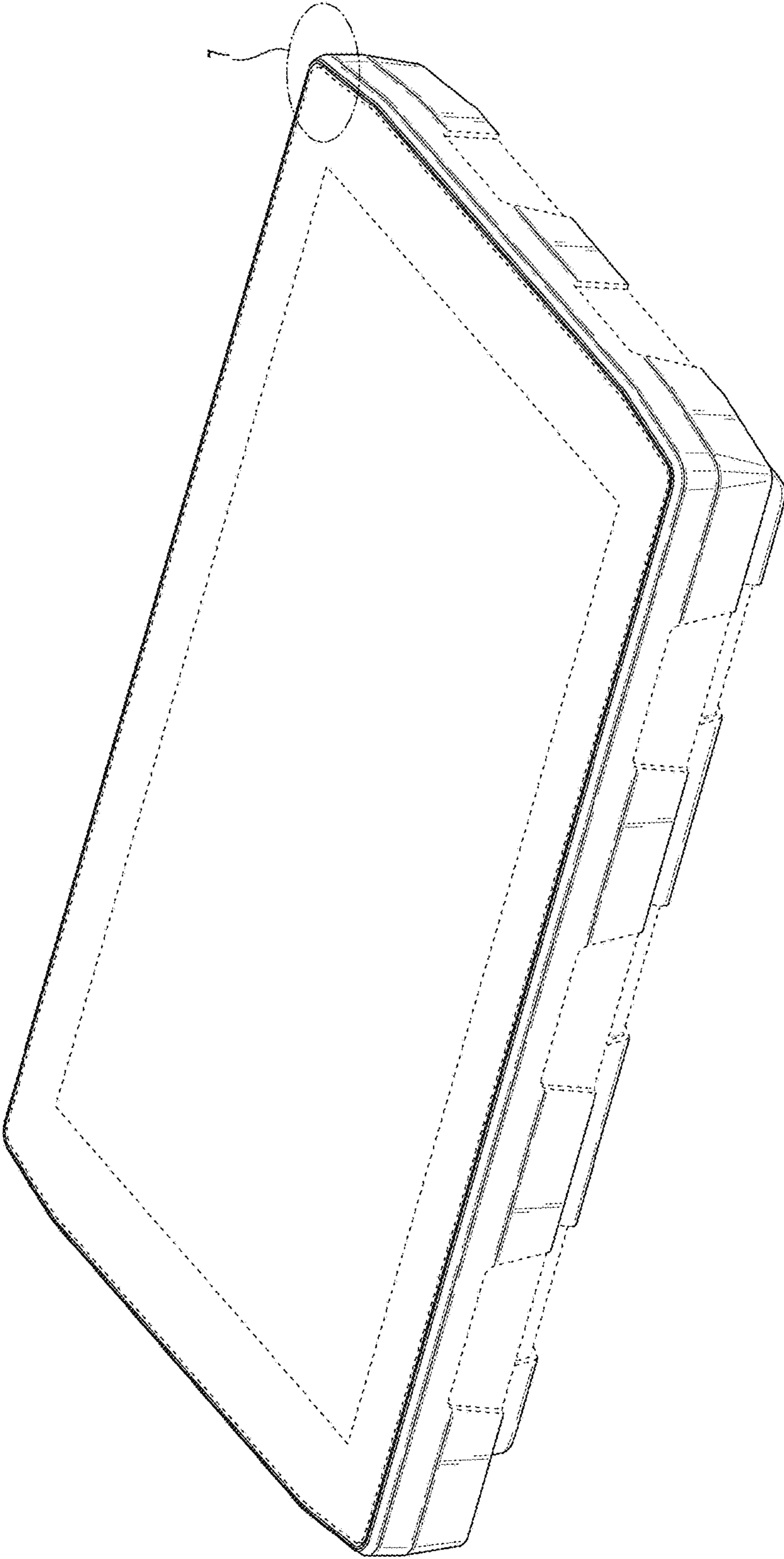


FIG. 1

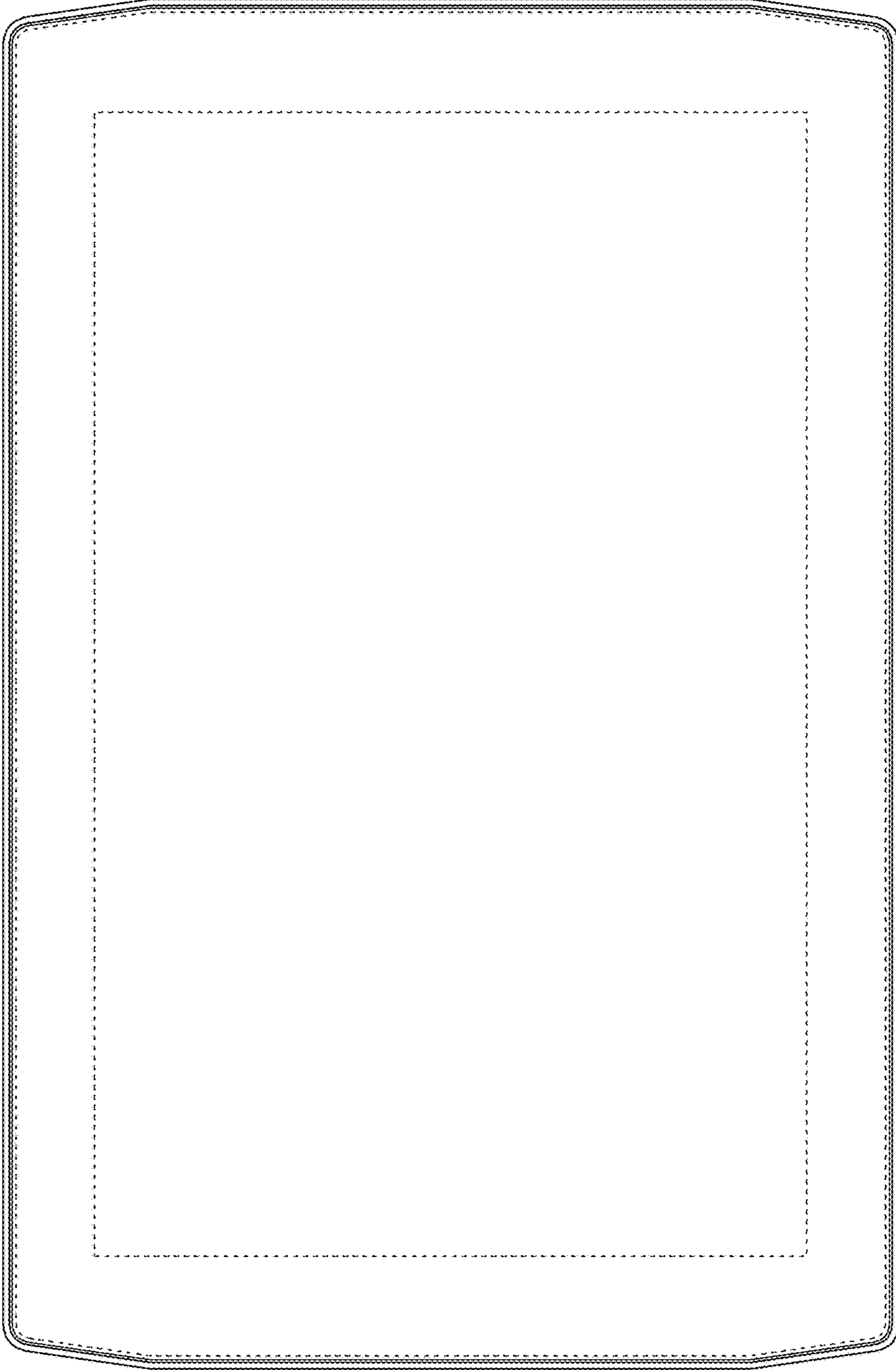


FIG. 2

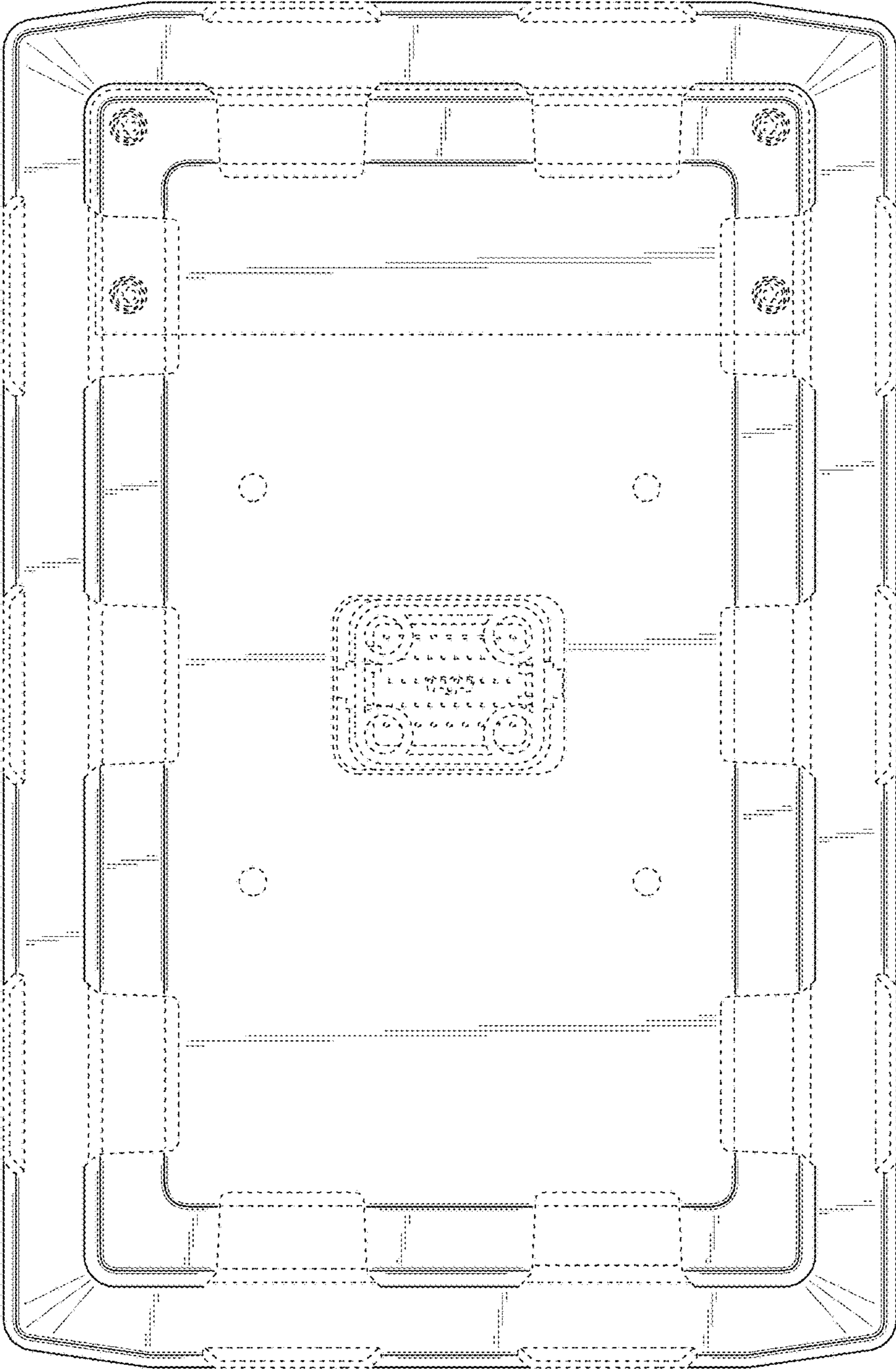


FIG. 3

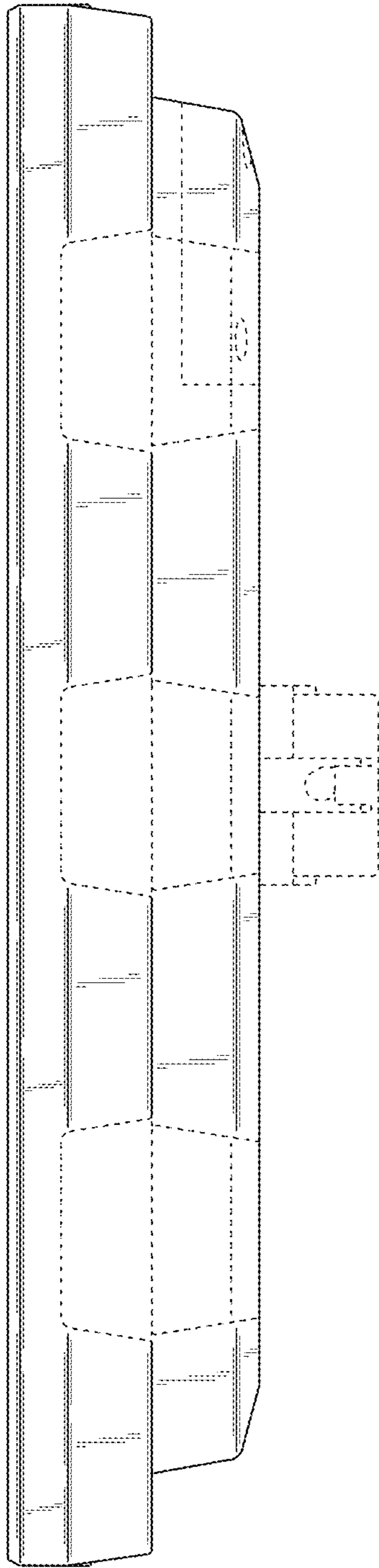


FIG. 4

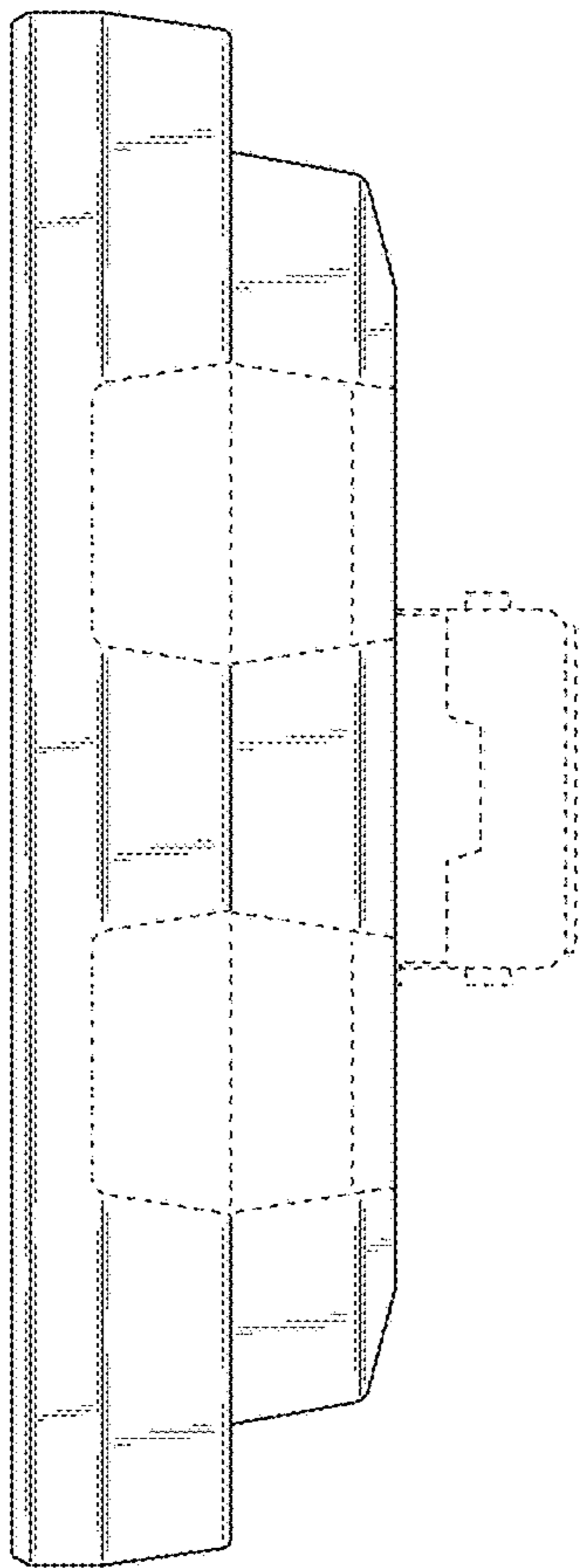


FIG. 5

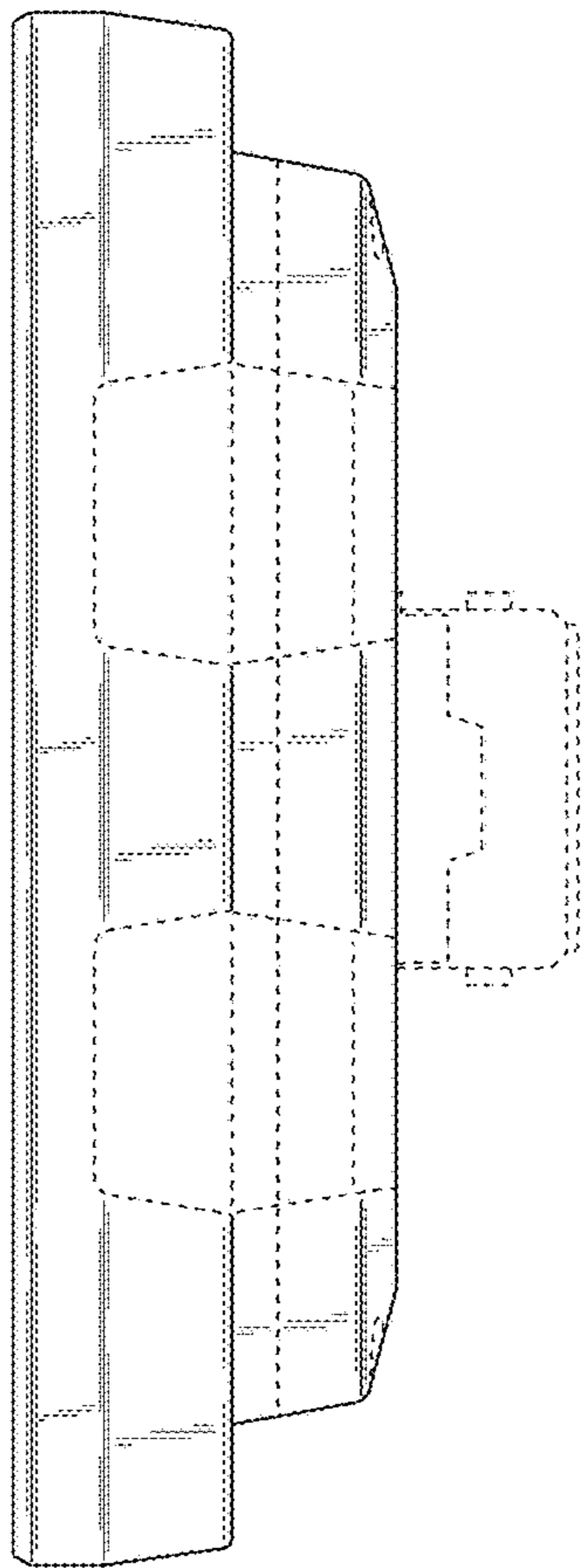


FIG. 6

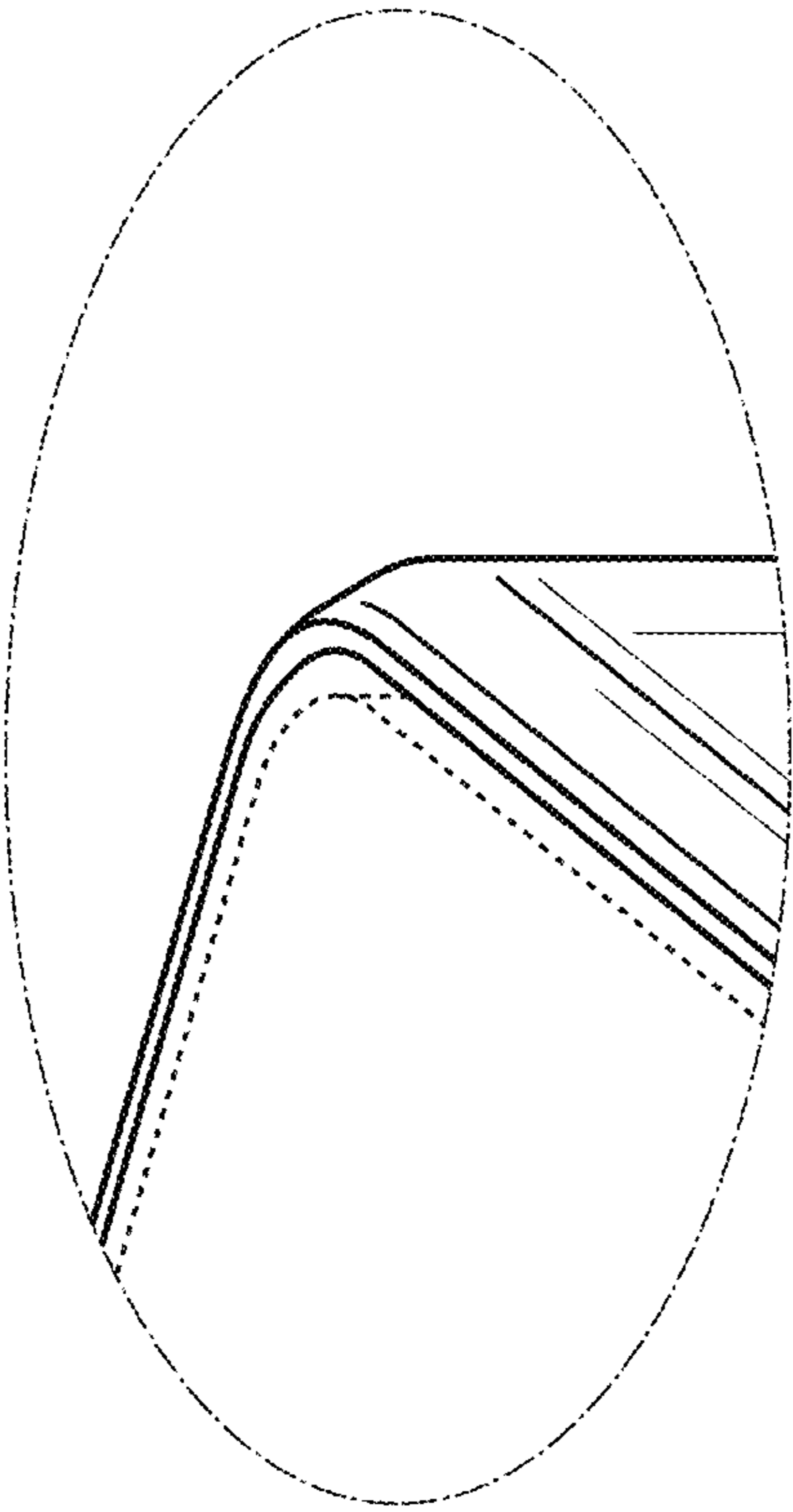


FIG. 7