



US00D801964S

(12) **United States Design Patent** (10) **Patent No.:** **US D801,964 S**
Yu et al. (45) **Date of Patent:** **** Nov. 7, 2017**

(54) **ELECTRONIC DEVICE**
(71) Applicant: **Lenovo (Beijing) Co., Ltd.**, Beijing (CN)
(72) Inventors: **Fei Yu**, Beijing (CN); **Jun Zhang**, Beijing (CN); **Zicheng Huang**, Beijing (CN)
(73) Assignee: **LENOVO (BEIJING) CO., LTD.**, Beijing (CN)
(**) Term: **15 Years**

D342,611 S * 12/1993 Andrews D6/311
D421,235 S * 2/2000 Rausch D10/113.3
D440,521 S * 4/2001 Russo D11/81
D449,561 S * 10/2001 Krieger D11/157
D478,937 S * 8/2003 Giles D21/300
D484,691 S * 1/2004 Vazquez D3/238
D571,096 S * 6/2008 Hart D2/972
D591,497 S * 5/2009 McDade D2/946
D600,765 S * 9/2009 Llewellyn A63B 53/047
D21/759
D655,307 S * 3/2012 Maier D14/496
D674,098 S * 1/2013 Nichols D24/189
D683,141 S * 5/2013 Symons D14/447
D687,438 S * 8/2013 Lu D14/440
D691,818 S * 10/2013 Shibata D6/308

(Continued)

(21) Appl. No.: **29/529,403**
(22) Filed: **Jun. 5, 2015**
(30) **Foreign Application Priority Data**

Primary Examiner — Barbara Fox
Assistant Examiner — Dana K Weiland
(74) *Attorney, Agent, or Firm* — Oppedahl Patent Law Firm LLC

Dec. 19, 2014 (CN) 2014 3 0540561
(51) **LOC (10) Cl.** **14-02**
(52) **U.S. Cl.**
USPC **D14/341**
(58) **Field of Classification Search**
USPC D14/253, 440, 203.1, 203.4, 203.7,
D14/341–347, 337, 374, 138, 138 AB,
D14/496, 447, 315, 316, 455; D10/65;
D21/329, 330; D6/310
CPC G06F 3/016; G06F 3/0202; G06F 3/04845;
G06F 13/385; H04N 17/00; H04N 5/30;
H04N 5/66; H04N 5/2251; H04M 1/0214
See application file for complete search history.

(57) **CLAIM**

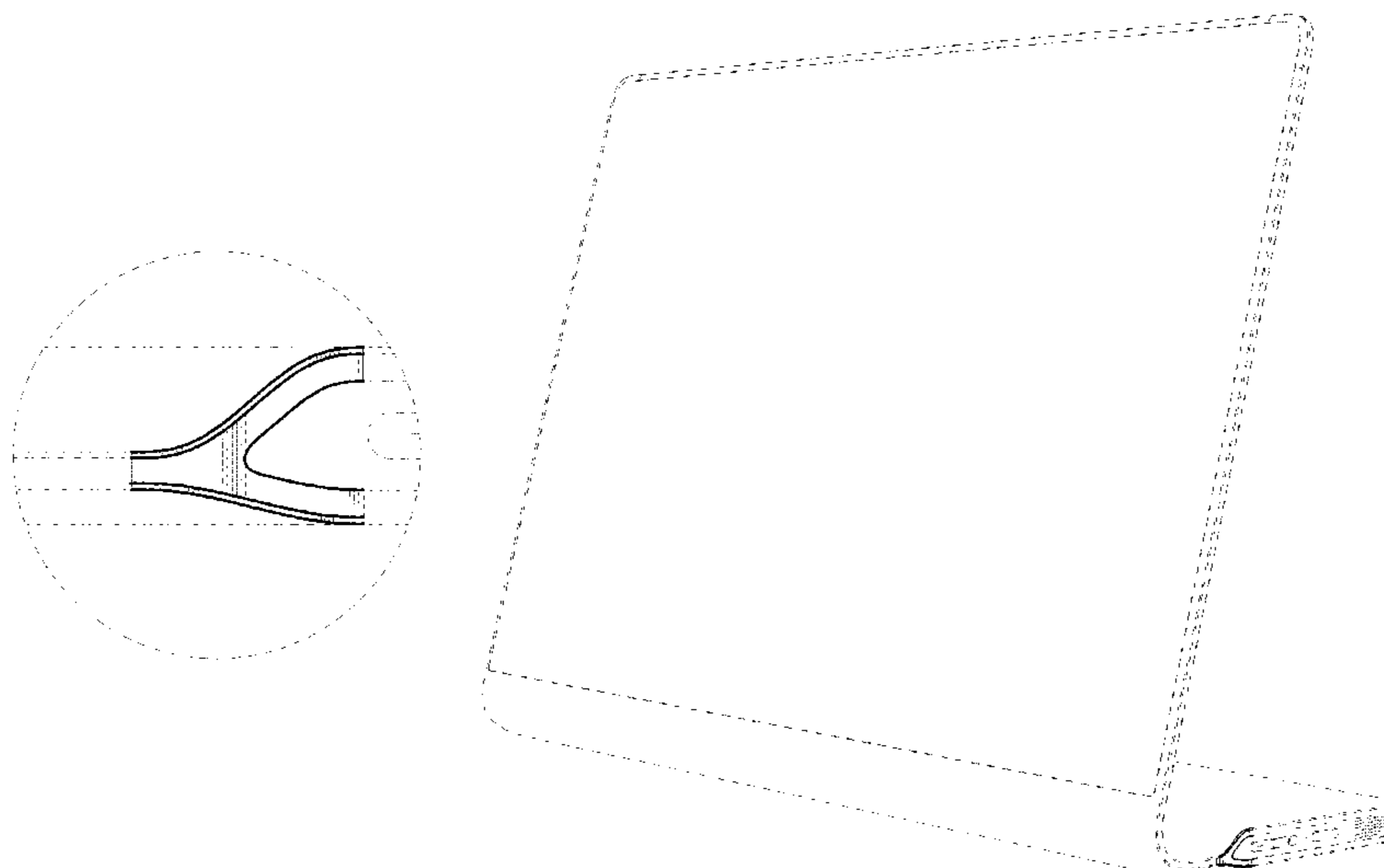
The ornamental design for an electronic device, as shown and described.

DESCRIPTION

FIG. 1 is a left side view of an electronic device showing the new design;
FIG. 2 is a right side view thereof;
FIG. 3 is an enlarged view of the portion of the electronic device circled in FIG. 2;
FIG. 4 is a perspective view of the electronic device shown in FIG. 1;
FIG. 5 is another perspective view thereof in an alternate configuration; and,
FIG. 6 is another perspective view thereof in an alternate configuration.
The broken lines shown in the drawings illustrate portions of the electronic device that form no part of the claimed design.

(56) **References Cited**
U.S. PATENT DOCUMENTS
D213,234 S * 1/1969 Reineman D12/215
D218,133 S * 7/1970 Gonzales, Jr. D11/4
D226,280 S * 2/1973 Minter D11/48
5,222,315 A * 6/1993 Lovison A47G 1/14
40/745

1 Claim, 5 Drawing Sheets



(56)

References Cited

U.S. PATENT DOCUMENTS

D708,838	S *	7/2014	Lee	D14/440
D712,399	S *	9/2014	Sohn	D14/336
D712,867	S *	9/2014	Vats	D14/138 AB
D713,841	S *	9/2014	Lim	D14/341
D715,756	S *	10/2014	Lim	D14/126
D730,854	S *	6/2015	Jung	D14/126
D746,285	S *	12/2015	Okabe	D14/345
D749,564	S *	2/2016	Cho	D14/341
D754,122	S *	4/2016	Oakley	D14/336
D763,439	S *	8/2016	Aggerholm	D24/118
D764,095	S *	8/2016	Clark	D26/88
D766,885	S *	9/2016	Armstrong	D14/250
2009/0201254	A1 *	8/2009	Rais	G06F 1/1613 345/168
2010/0067181	A1 *	3/2010	Bair	G06F 1/1616 361/679.3
2013/0307816	A1 *	11/2013	Lee	G06F 1/1652 345/174
2015/0062927	A1 *	3/2015	Hirakata	H01L 51/0097 362/362

* cited by examiner

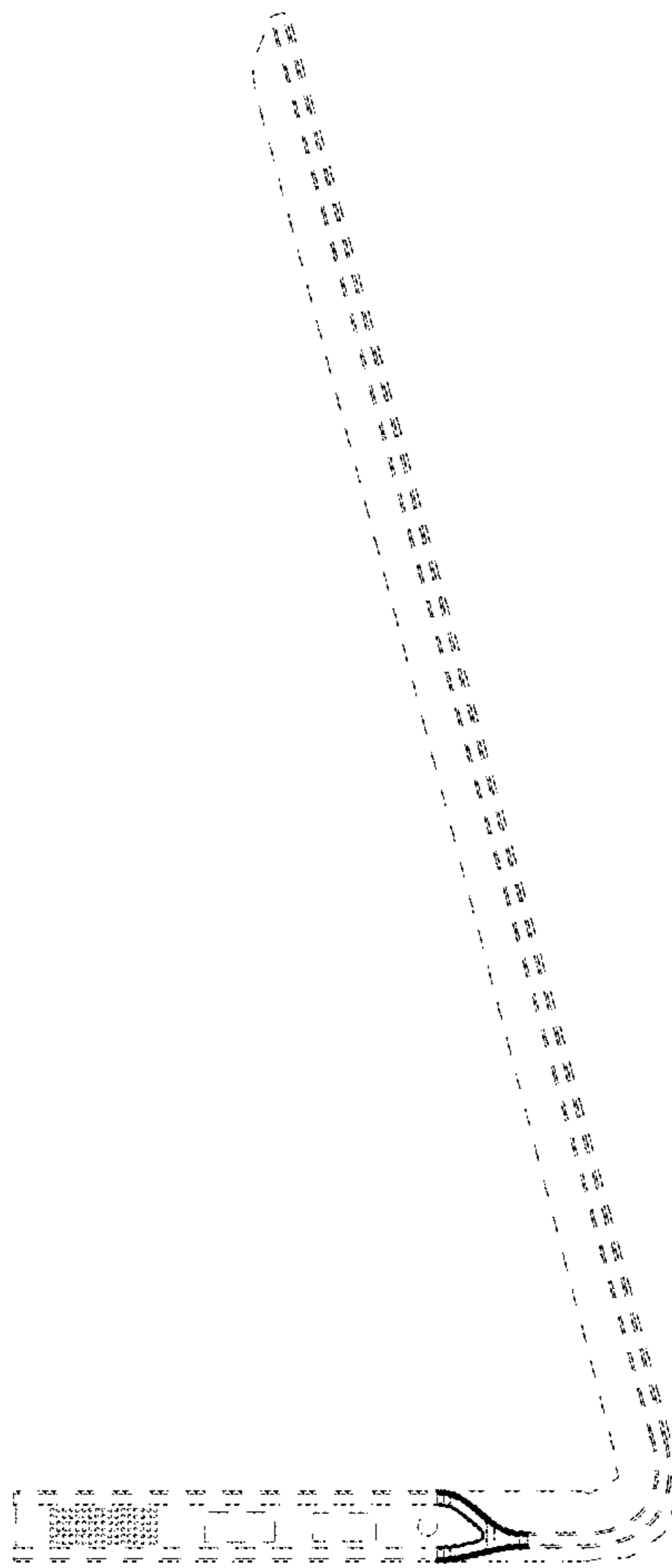


Figure 1

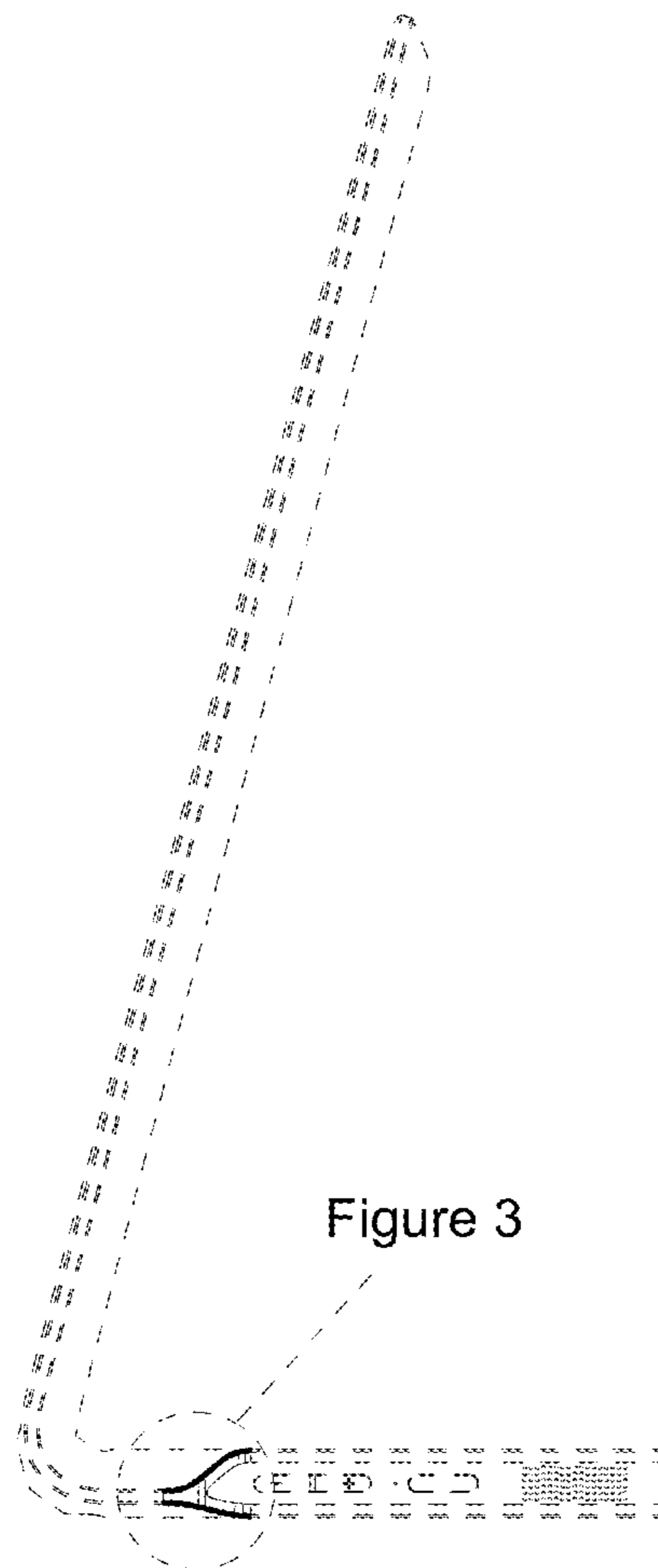


Figure 3

Figure 2

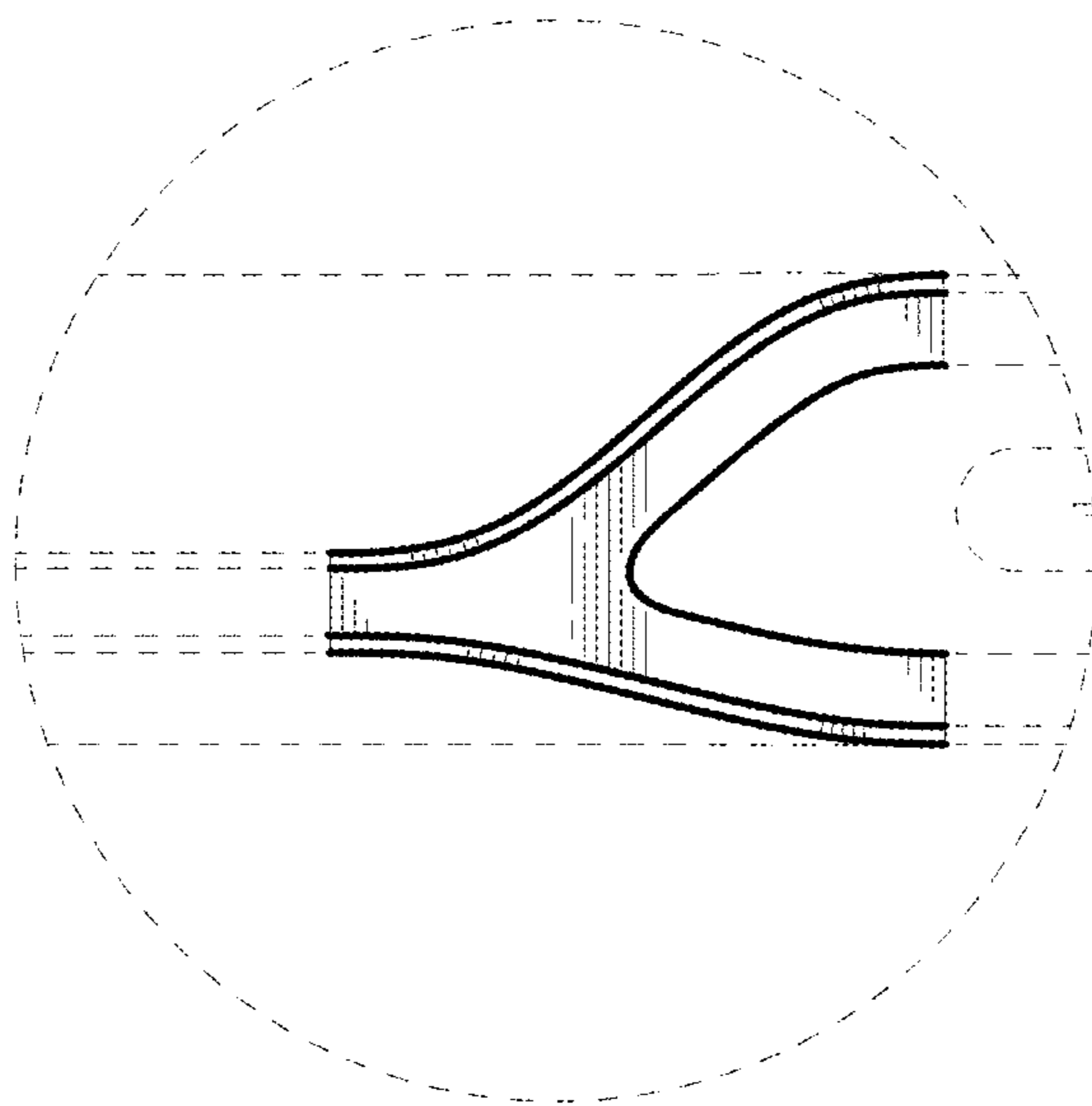


Figure 3

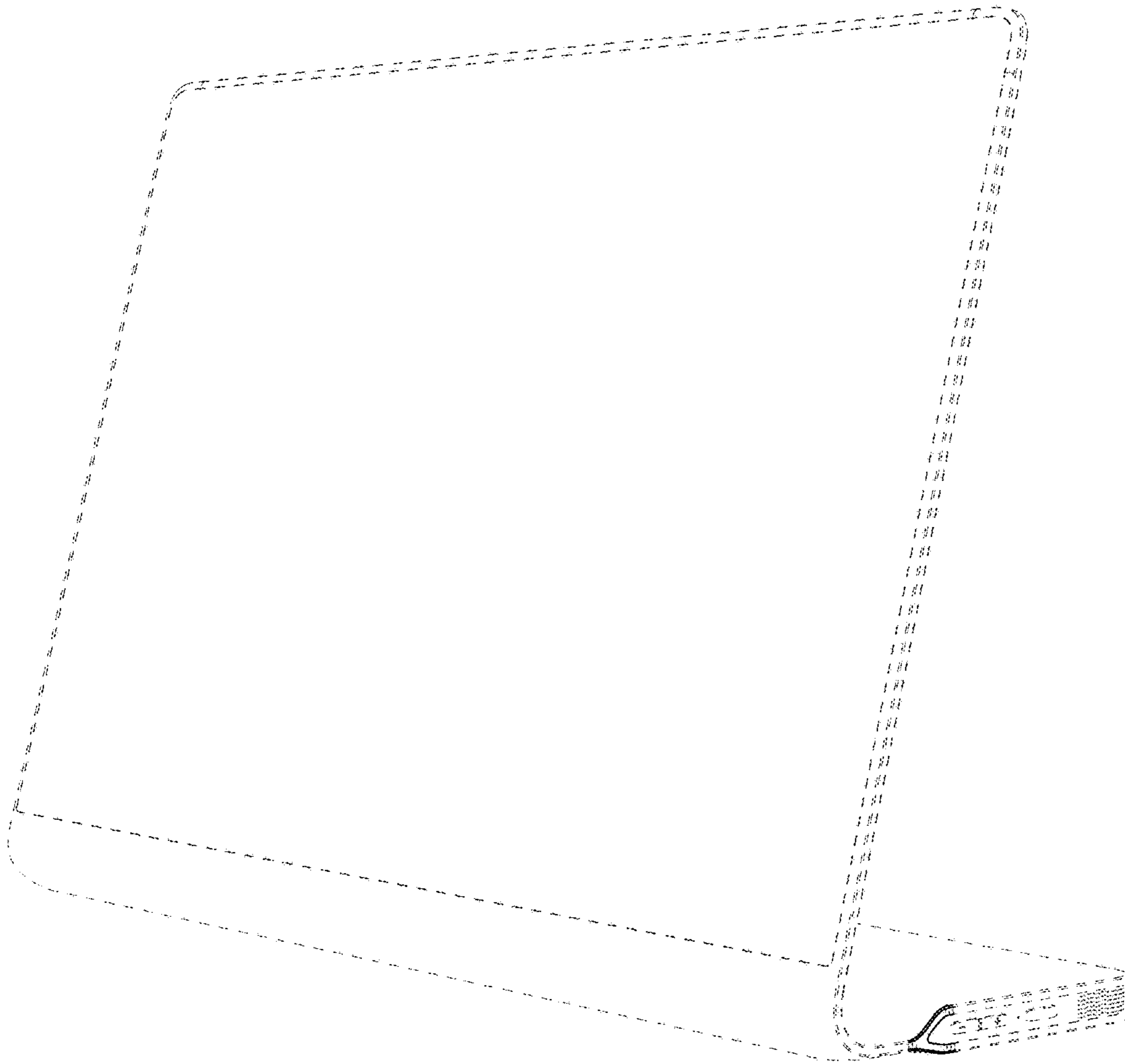


Figure 4

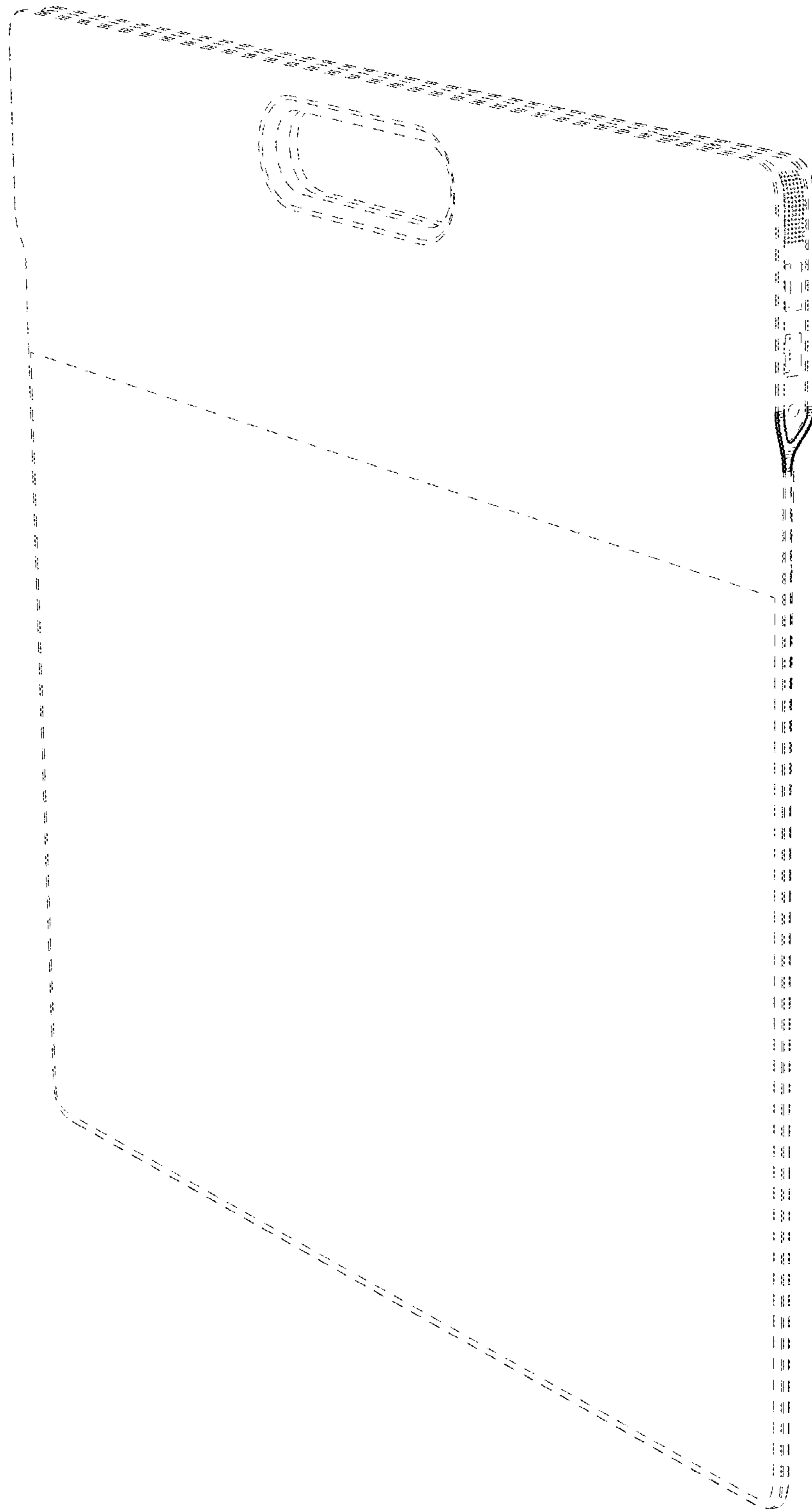


Figure 5

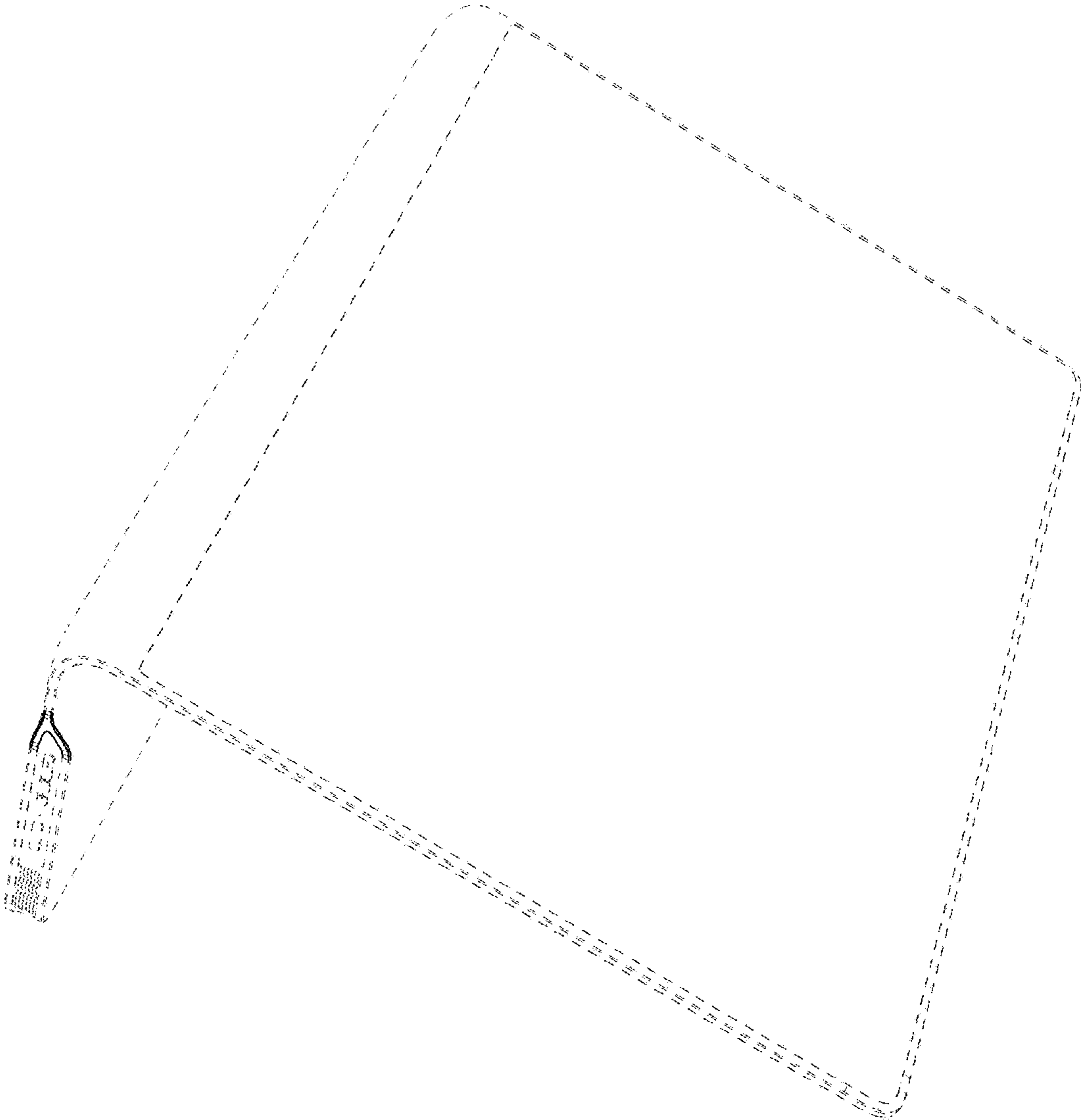


Figure 6