

US00D801962S

(12) **United States Design Patent** (10) **Patent No.:** **US D801,962 S**
Smith et al. (45) **Date of Patent:** **** Nov. 7, 2017**

(54) **KIOSK SECTION**

(56) **References Cited**

(71) Applicant: **Adrian Smith + Gordon Gill Architecture LLP**, Chicago, IL (US)
(72) Inventors: **Adrian Devaun Smith**, Lake Forest, IL (US); **Carlisle Gordon C. Gill**, Chicago, IL (US); **Robert John Forest**, Chicago, IL (US); **Miguel Thomas Alvarez**, Chicago, IL (US); **Marc Anthony Cerone**, Chicago, IL (US); **Matthew Michael Dumich**, Chicago, IL (US); **Christopher John Miller**, Chicago, IL (US)
(73) Assignee: **Adrian Smith + Gordon Gill Architecture LLP**, Chicago, IL (US)
(**) Term: **15 Years**
(21) Appl. No.: **29/600,282**
(22) Filed: **Apr. 11, 2017**

U.S. PATENT DOCUMENTS

D176,024 S *	11/1955	Klein	D14/196
3,188,694 A	6/1965	Hammar	
3,762,112 A	10/1973	Evans et al.	
7,326,355 B2	2/2008	Graetz et al.	
D585,943 S *	2/2009	Pymm	D20/10
D589,829 S *	4/2009	Friedli	D10/108
D613,391 S *	4/2010	Schwartz	D23/366
D689,050 S *	9/2013	Chong	D14/358
D713,658 S *	9/2014	Tio	D6/675
D721,695 S *	1/2015	Birgeoglu	D14/307
D725,947 S *	4/2015	Tio	D6/675.1
D728,495 S *	5/2015	McManigal	D14/125
D753,627 S *	4/2016	Kim	D14/214
D760,611 S *	7/2016	Saari	D10/108
D770,203 S *	11/2016	Thaler	D6/673
D776,651 S *	1/2017	Yates	D14/307
D781,273 S *	3/2017	Nuk	D14/240

(Continued)

Primary Examiner — Austin Murphy
(74) *Attorney, Agent, or Firm* — Neal, Gerber & Eisenberg LLP

Related U.S. Application Data

(62) Division of application No. 29/531,121, filed on Jun. 23, 2015, now Pat. No. Des. 786,855.
(51) **LOC (10) Cl.** **14-02**
(52) **U.S. Cl.**
USPC **D14/307**
(58) **Field of Classification Search**
USPC D14/302–307, 900–902; D13/163; D20/10; D21/332, 325, 369, 370; D99/28; D6/397, 466; 194/206; 361/679.01, 679.02, 679.04, 679.21, 361/679.57, 725
CPC G06Q 20/18; G06Q 20/10; G06Q 20/123; G06Q 20/20; G06Q 30/02; G06Q 30/06; A47F 9/047
See application file for complete search history.

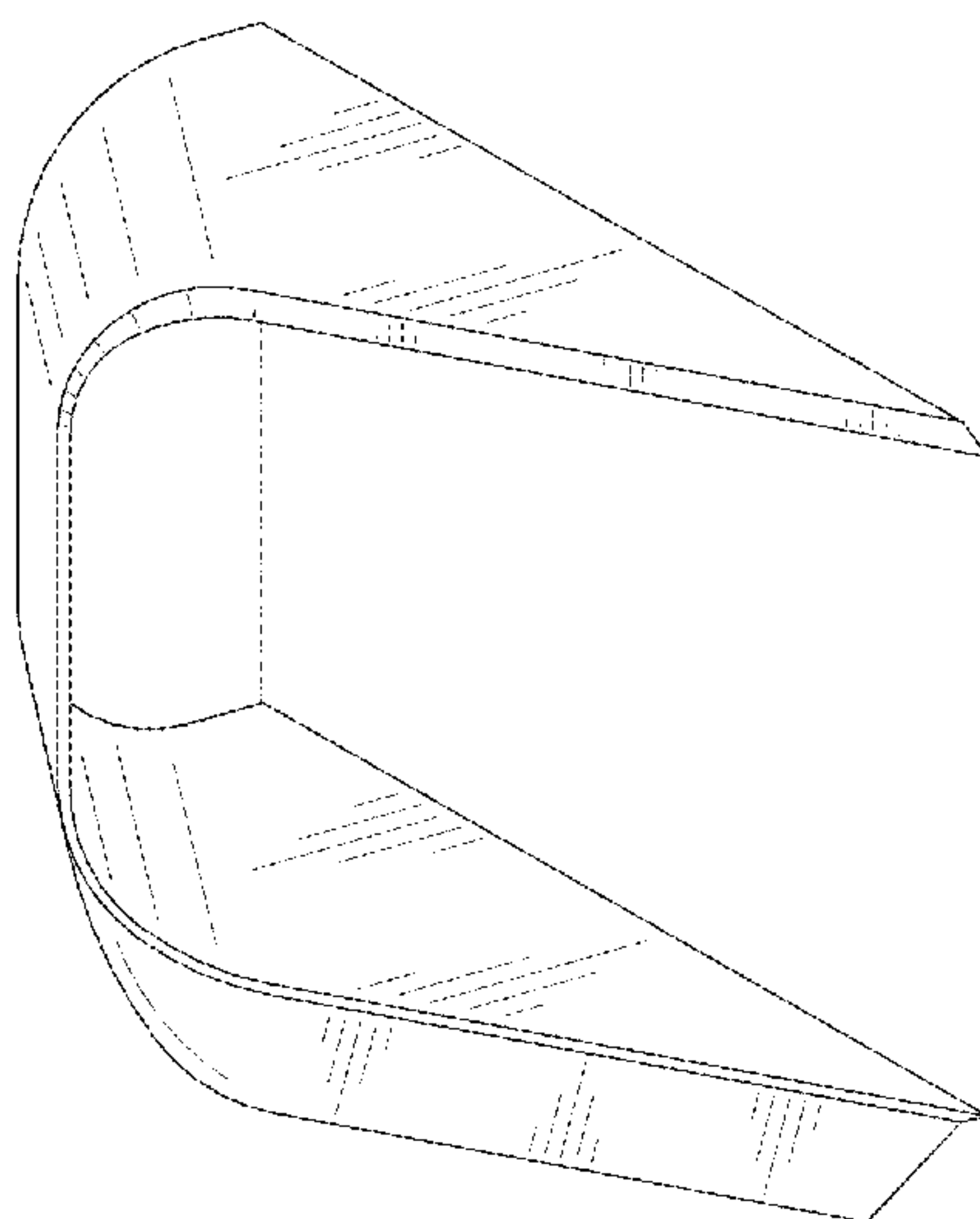
(57) **CLAIM**

An ornamental design for a kiosk section, as shown and described herein.

DESCRIPTION

FIG. 1 is a perspective view of a kiosk section of our new design.
FIG. 2 is right side view of the kiosk section of FIG. 1.
FIG. 3 is left side view of the kiosk section of FIG. 1.
FIG. 4 is a front view of the kiosk section of FIG. 1.
FIG. 5 is a rear view of the kiosk section of FIG. 1.
FIG. 6 is a top view of the kiosk section of FIG. 1; and, FIG. 7 is a bottom view of the kiosk section of FIG. 1.
Those portions shown in phantom do not form part of the design.

1 Claim, 6 Drawing Sheets



(56)

References Cited

U.S. PATENT DOCUMENTS

D786,855 S * 5/2017 Smith D14/307
D789,337 S * 6/2017 Nuk D14/240
D792,388 S * 7/2017 Taylor D14/307
D796,234 S * 9/2017 Thaler D6/675
2002/0189173 A1 12/2002 Staschik

* cited by examiner

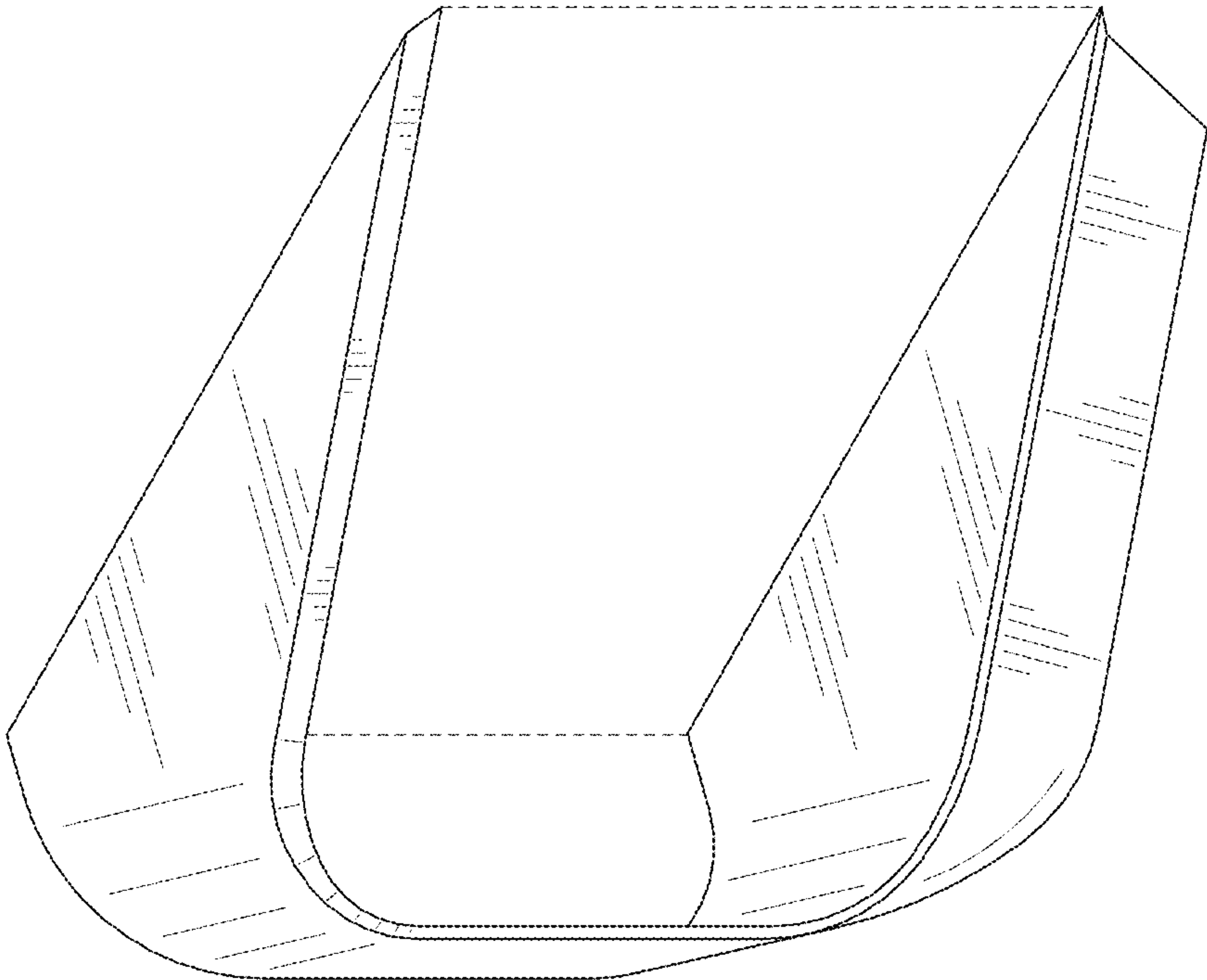


FIG. 1

FIG. 2

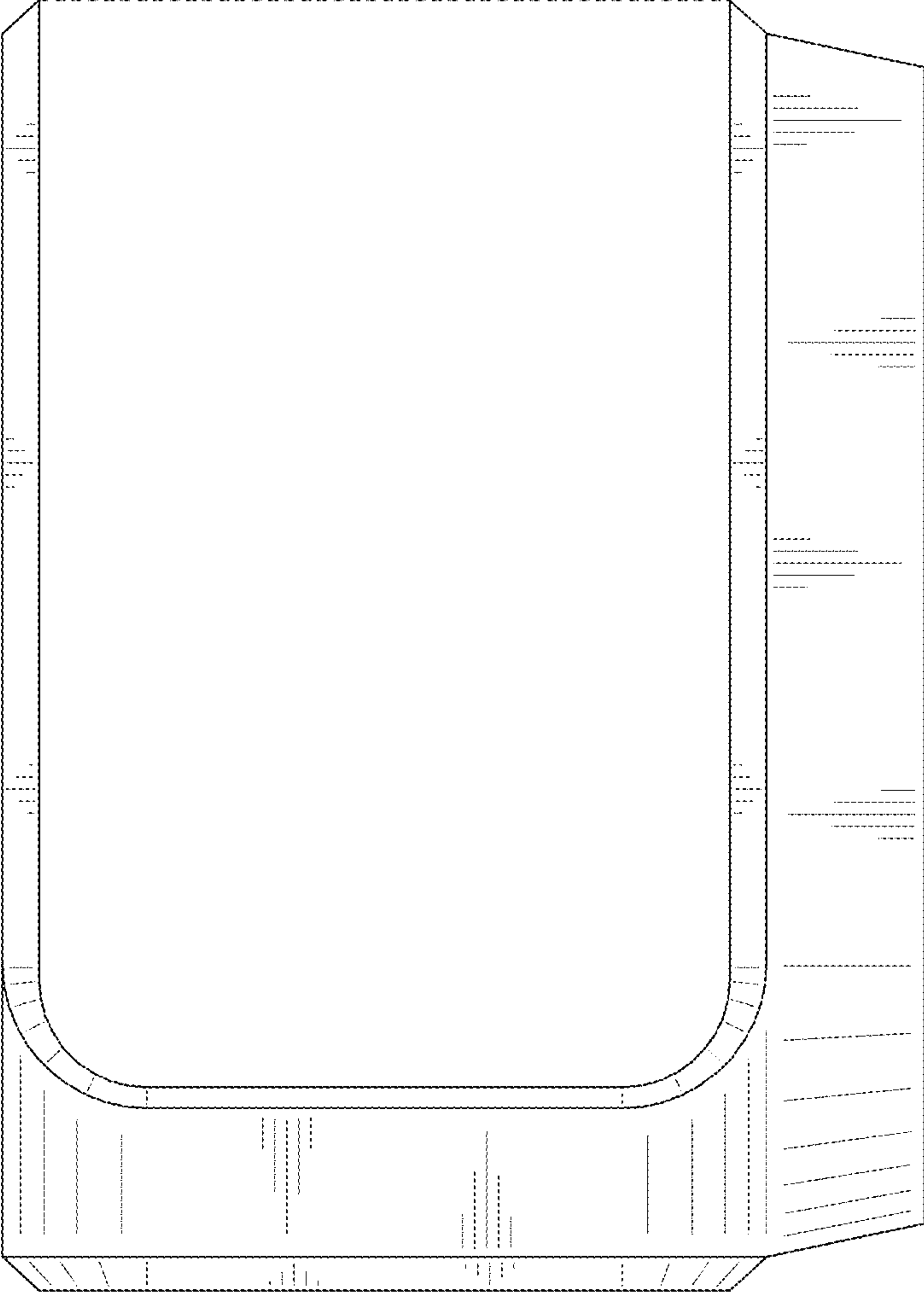


FIG. 3

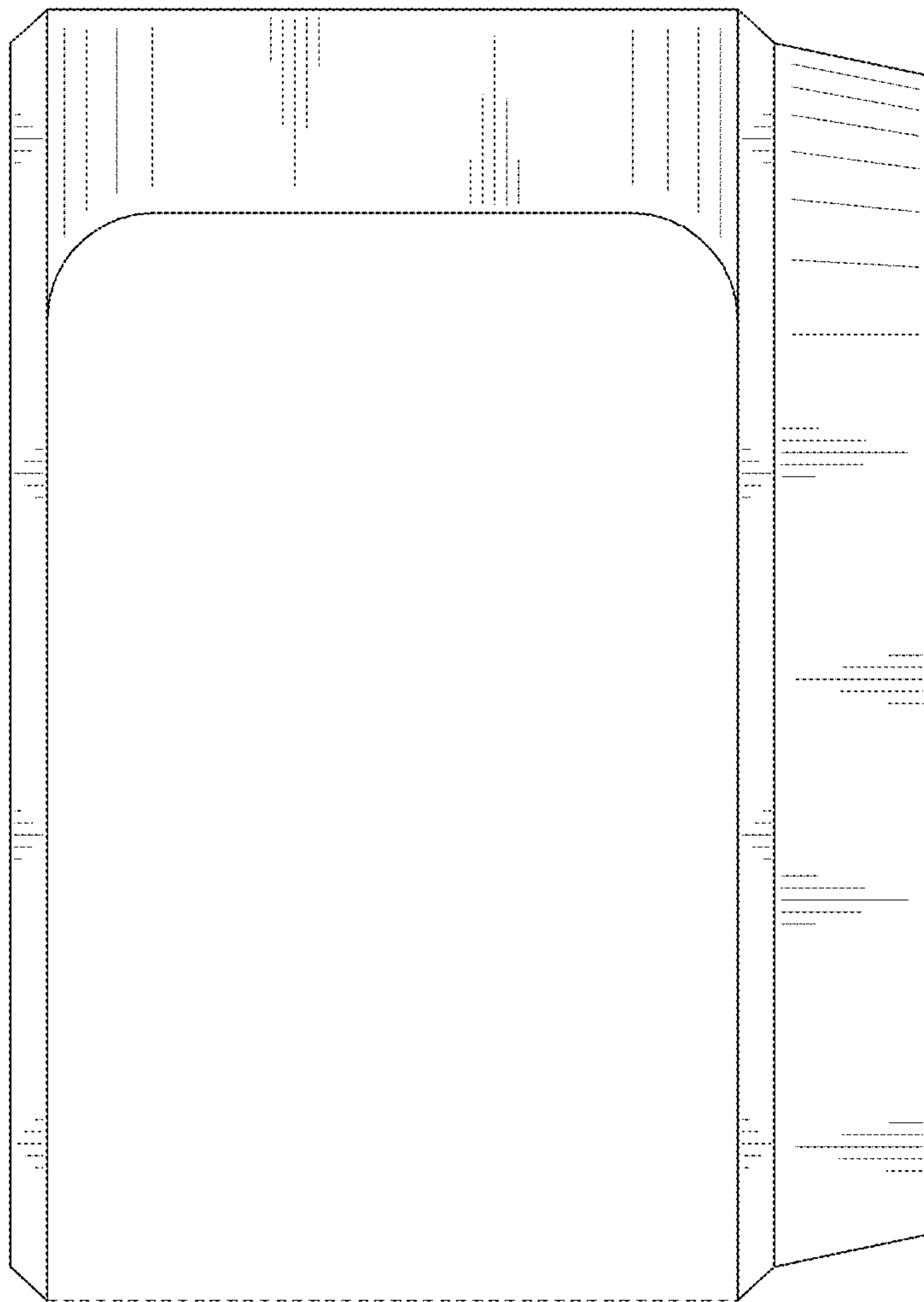


FIG. 5

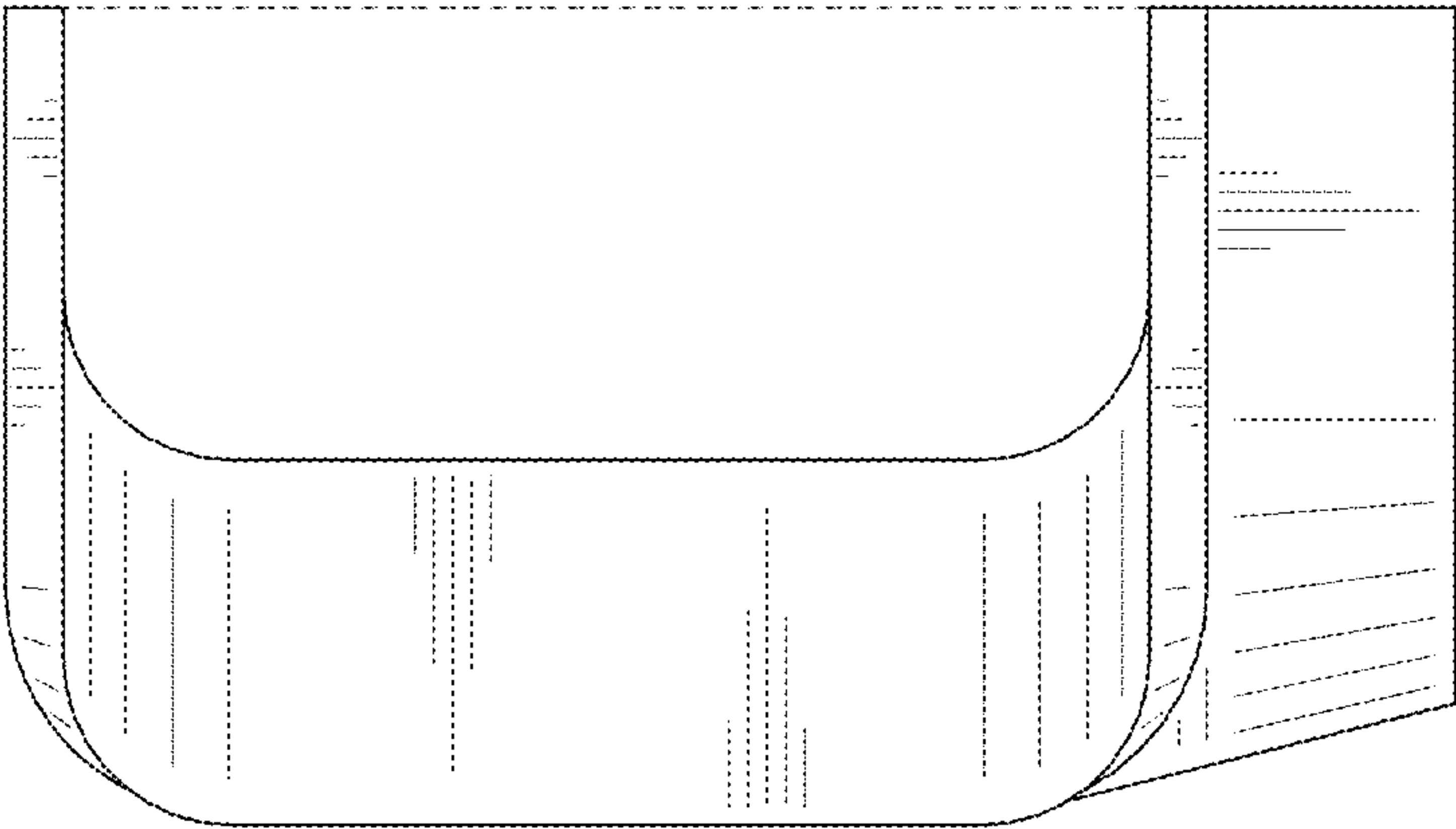


FIG. 4

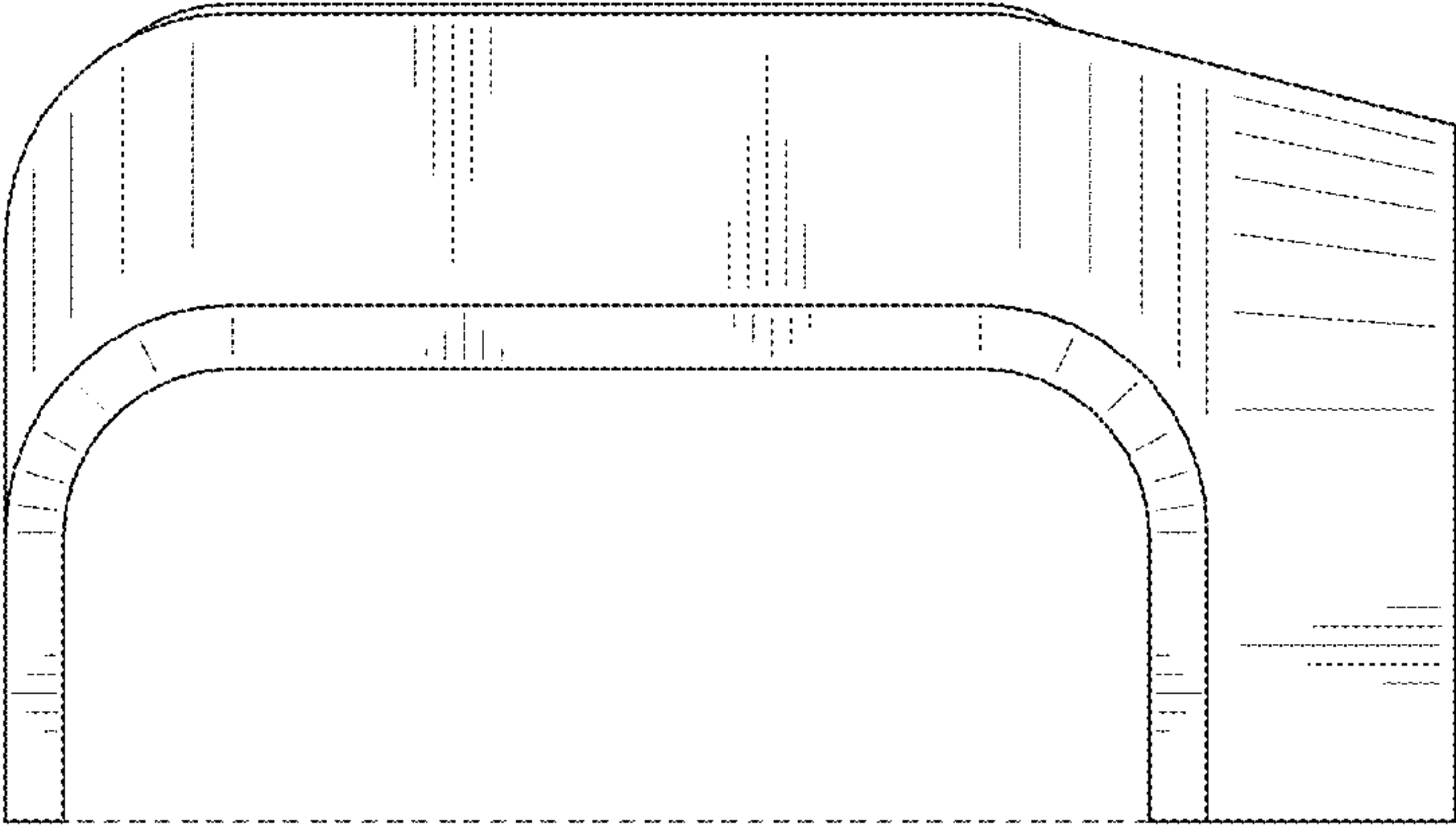


FIG. 6

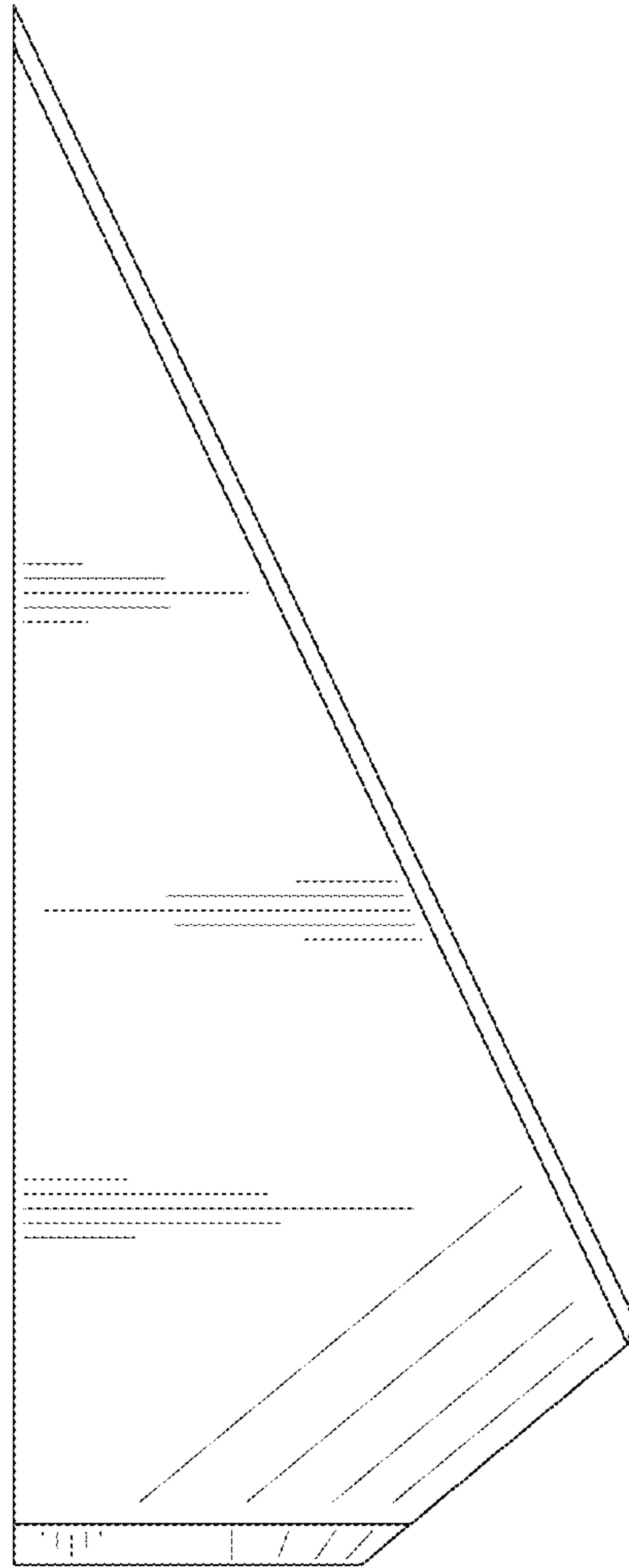


FIG. 7

