



US00D801957S

(12) **United States Design Patent**
He et al.

(10) **Patent No.:** **US D801,957 S**

(45) **Date of Patent:** **** Nov. 7, 2017**

(54) **ANTENNA**

(71) Applicant: **Airgain Incorporated**, San Diego, CA (US)

(72) Inventors: **Ziming He**, Irvine, CA (US); **Simon Yang**, Carlsbad, CA (US)

(73) Assignee: **Airgain Incorporated**, San Diego, CA (US)

(**) Term: **15 Years**

(21) Appl. No.: **29/604,115**

(22) Filed: **May 15, 2017**

Related U.S. Application Data

(62) Division of application No. 29/555,958, filed on Feb. 25, 2016, now Pat. No. Des. 786,840.

(51) **LOC (10) Cl.** **14-03**

(52) **U.S. Cl.**
USPC **D14/230**

(58) **Field of Classification Search**
USPC D14/138, 230, 231, 232, 233, 234, 235, D14/236, 237, 238, 238.1, 299, 358; D13/175, 182
CPC G01R 29/10; G01S 2013/0245; G01S 2013/0254; G01S 2013/0263; G01S 7/4026; G05B 2219/45001; G06K 19/07773; G06K 19/07775; G06K 19/07777; G08B 13/2468; G08B 13/2477; H01Q 1/088
See application file for complete search history.

(56) **References Cited**

U.S. PATENT DOCUMENTS

D588,115 S * 3/2009 Yoshioka D14/230
D603,851 S * 11/2009 Montgomery D14/230
D636,764 S * 4/2011 Mi D14/230
D692,870 S * 11/2013 He D14/230

D694,738 S * 12/2013 Yang D14/230
D707,665 S * 6/2014 Chu D14/230
D765,062 S * 8/2016 Zheng D14/230
D768,116 S * 10/2016 Zheng D14/230
D778,882 S * 2/2017 Zheng D14/230
D778,883 S * 2/2017 Zheng D14/230
D786,840 S * 5/2017 He D14/230
D791,108 S * 7/2017 He D14/230

OTHER PUBLICATIONS

<http://airgain.com/our-services/embedded-antennas/>—Retrieved Jan. 4, 2017.*

https://www.alibaba.com/product-detail/FPC-PCB-WIFI-antenna-2-4Ghz_60279271947.html—Retrieved Jan. 12, 2017.*

* cited by examiner

Primary Examiner — Manpreet Matharu

Assistant Examiner — Mojtaba Tehrani

(74) *Attorney, Agent, or Firm* — Clause Eight IPS; Michael Catania

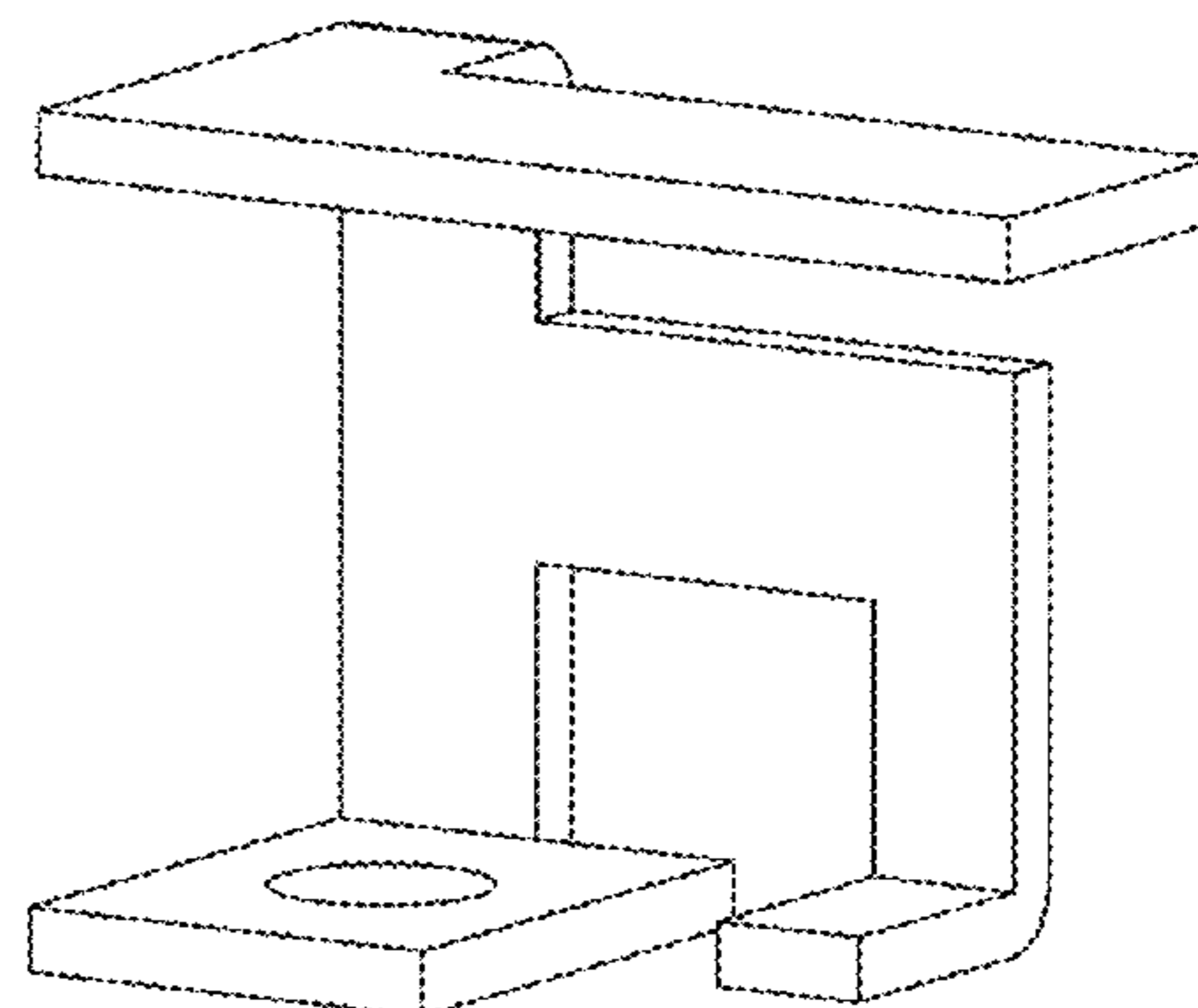
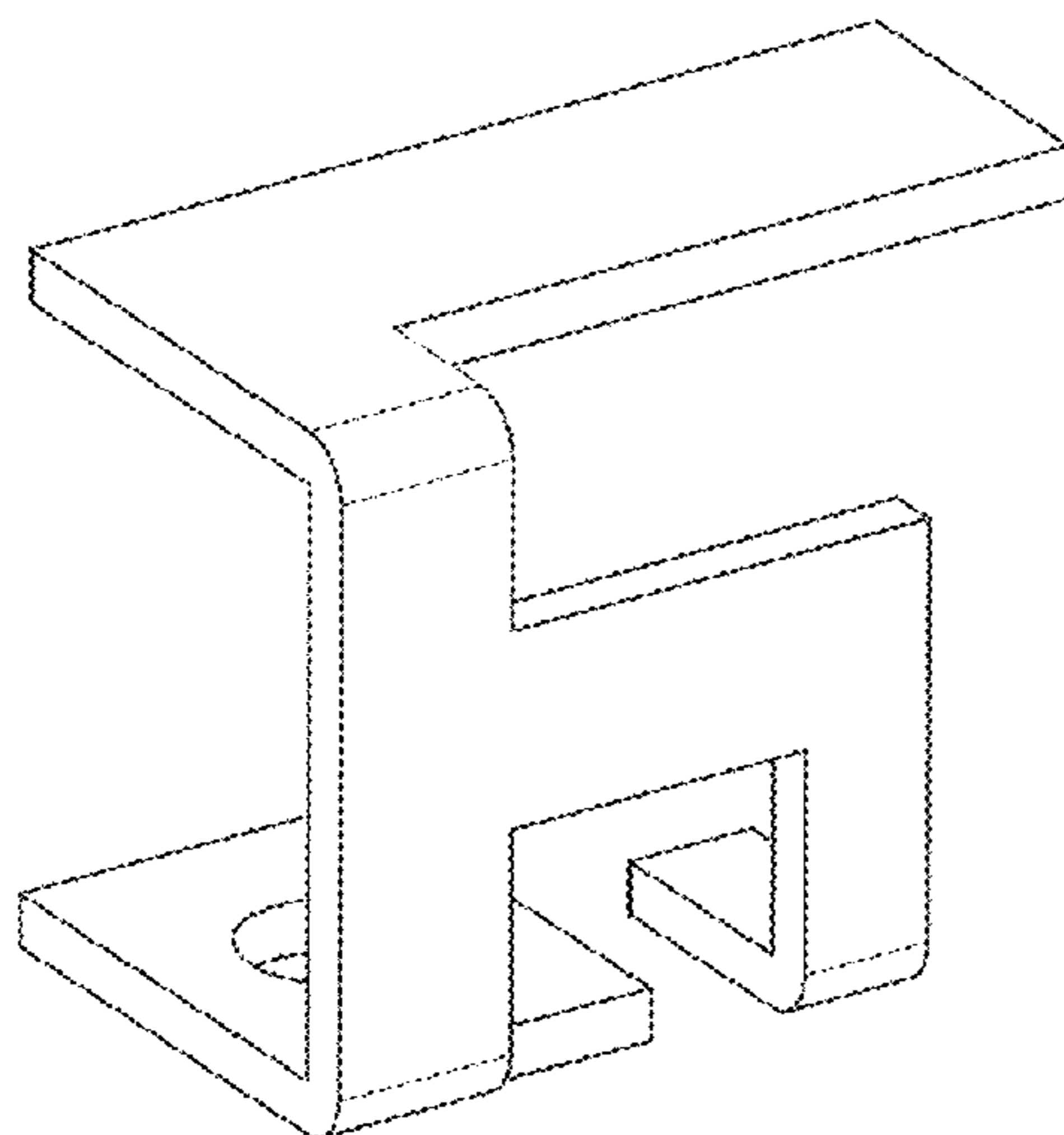
(57) **CLAIM**

The ornamental design for an antenna, as shown and described.

DESCRIPTION

FIG. 1 is a top perspective view of the first embodiment of an antenna, showing our new design;
FIG. 2 is a top plan view thereof;
FIG. 3 is a front elevation view thereof;
FIG. 4 is a bottom plan view thereof;
FIG. 5 is a side elevation view thereof;
FIG. 6 is a top perspective view of the second embodiment of an antenna;
FIG. 7 is a top plan view thereof;
FIG. 8 is a front elevation view thereof;
FIG. 9 is a bottom plan view thereof; and,
FIG. 10 is a side elevation view thereof.

1 Claim, 7 Drawing Sheets



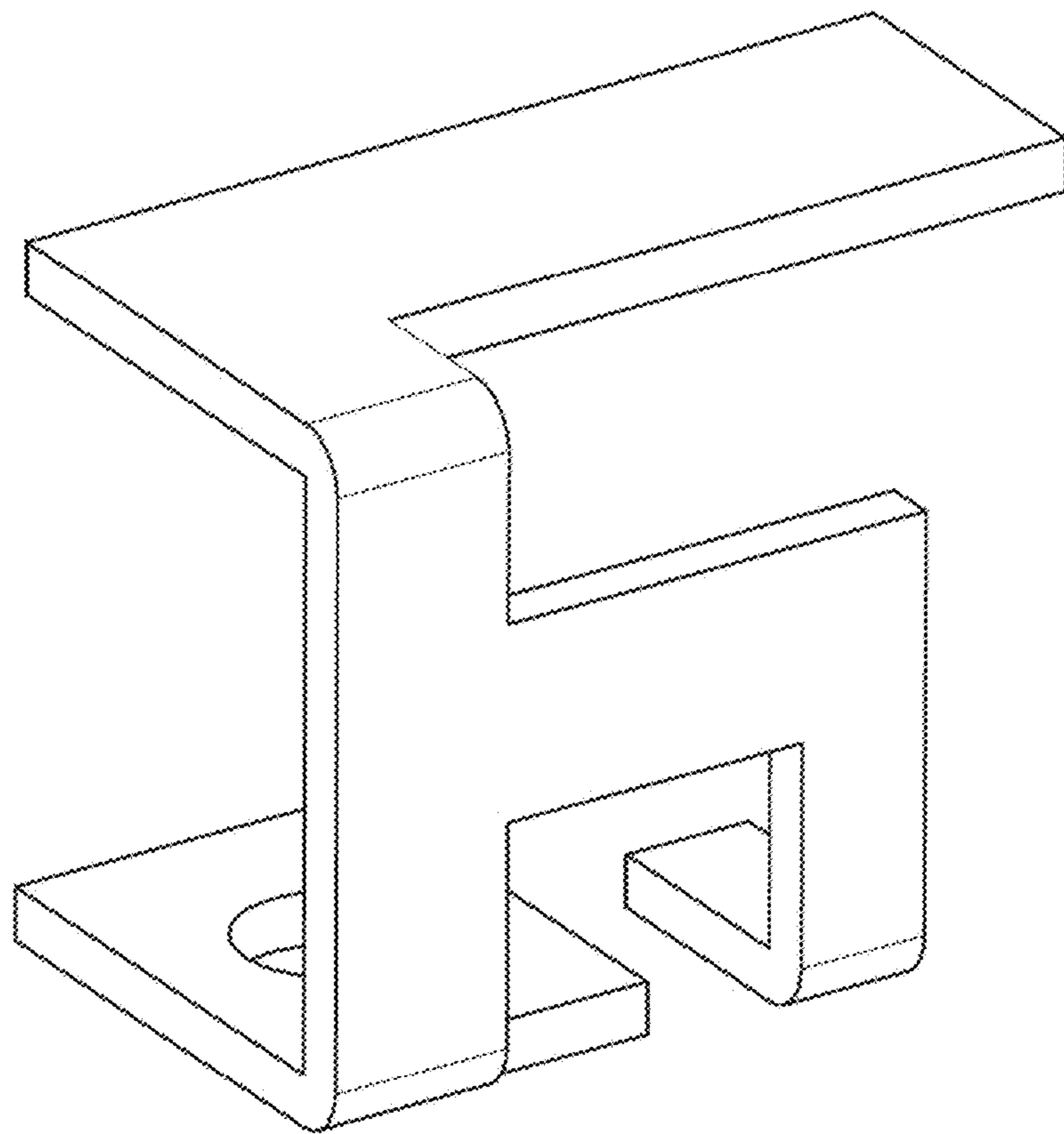


FIG. 1

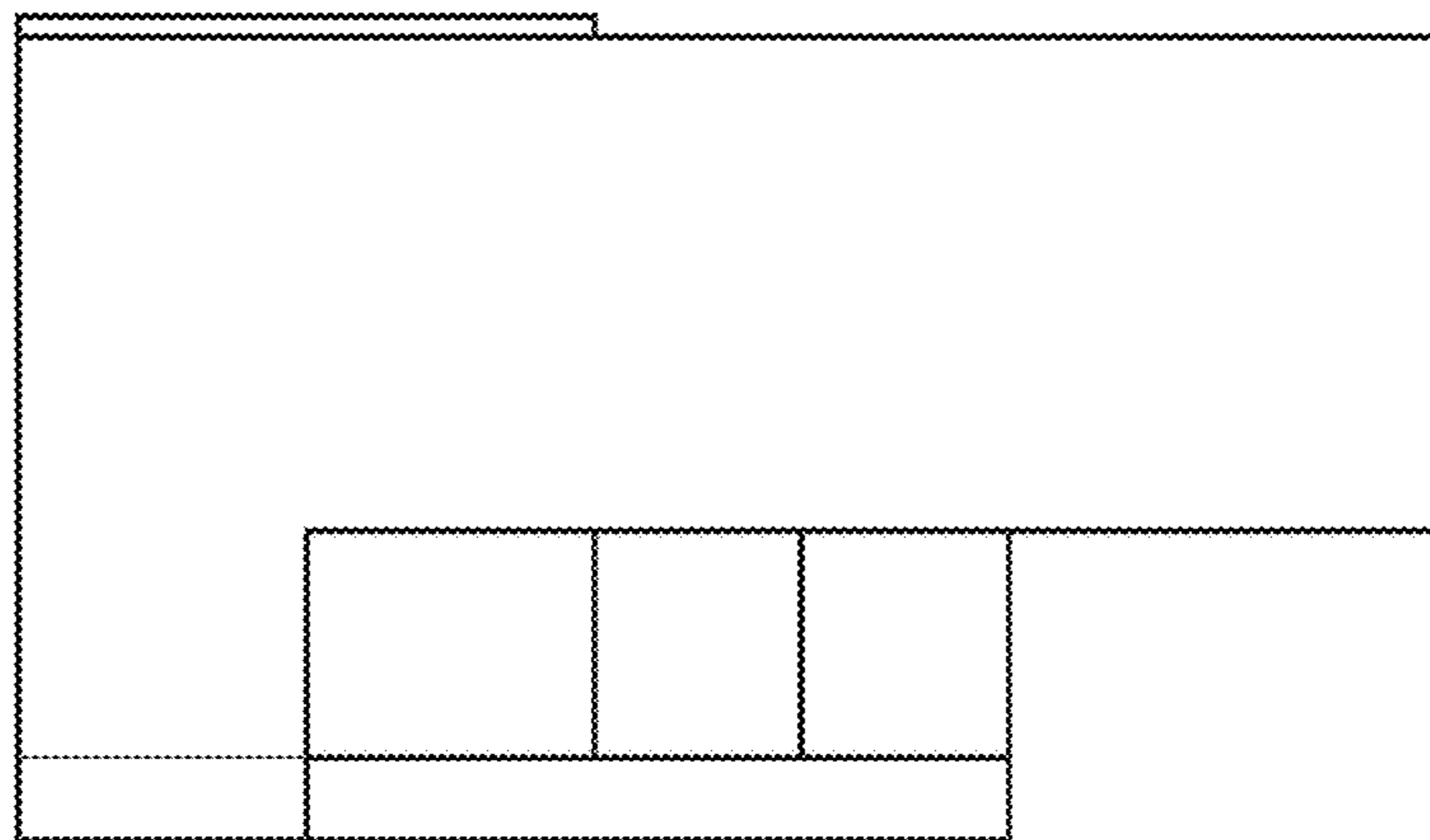


FIG. 2

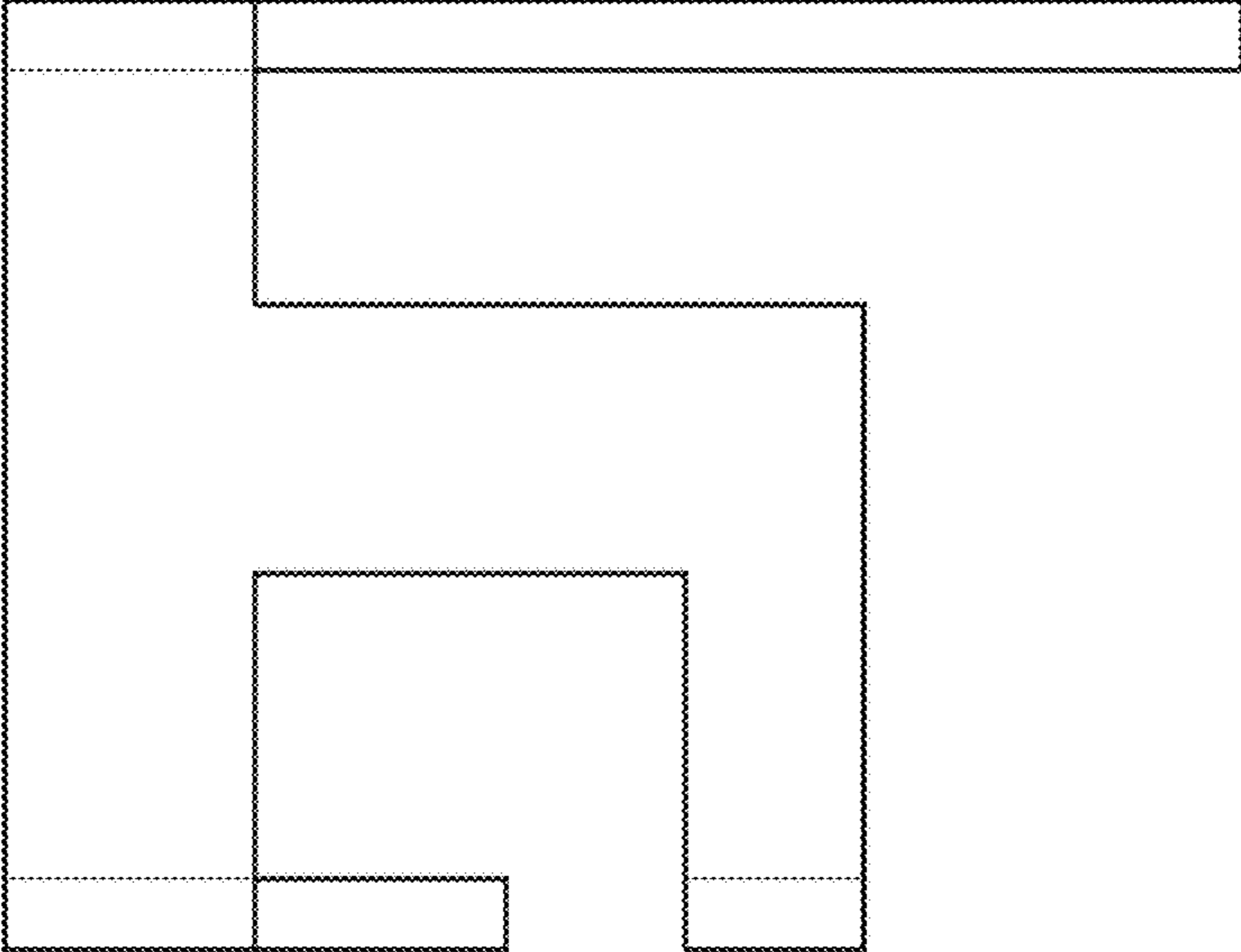


FIG. 3

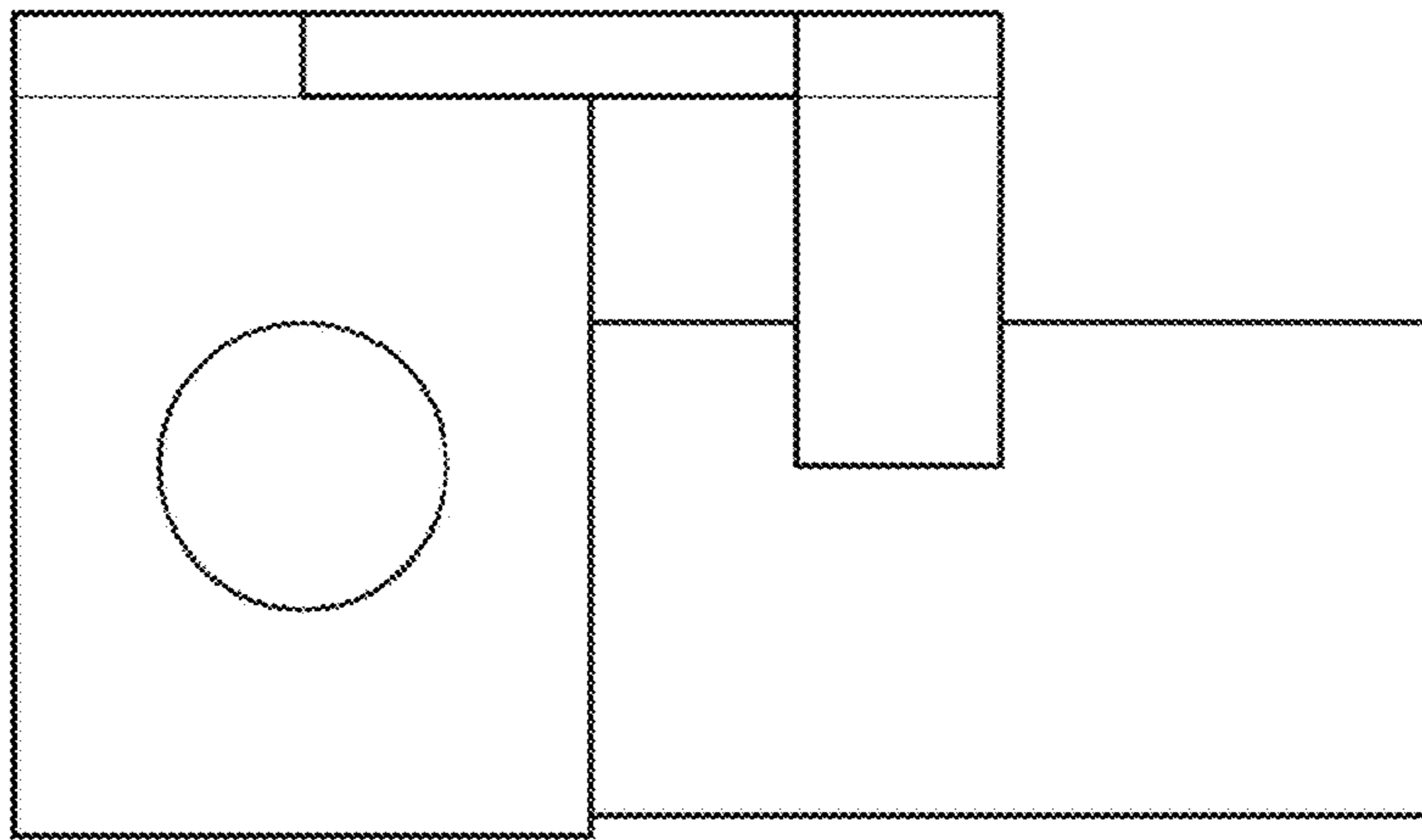


FIG. 4

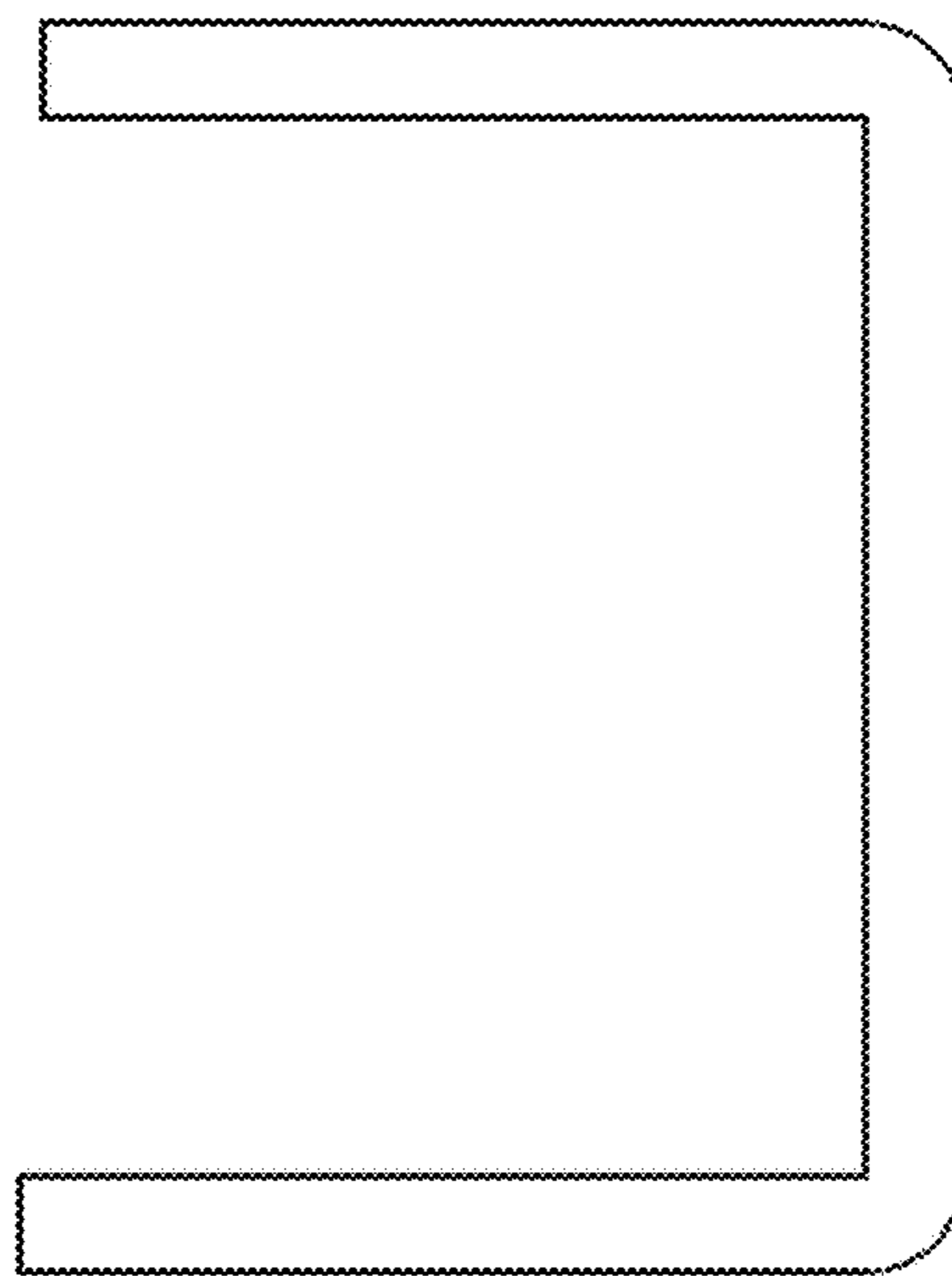


FIG. 5

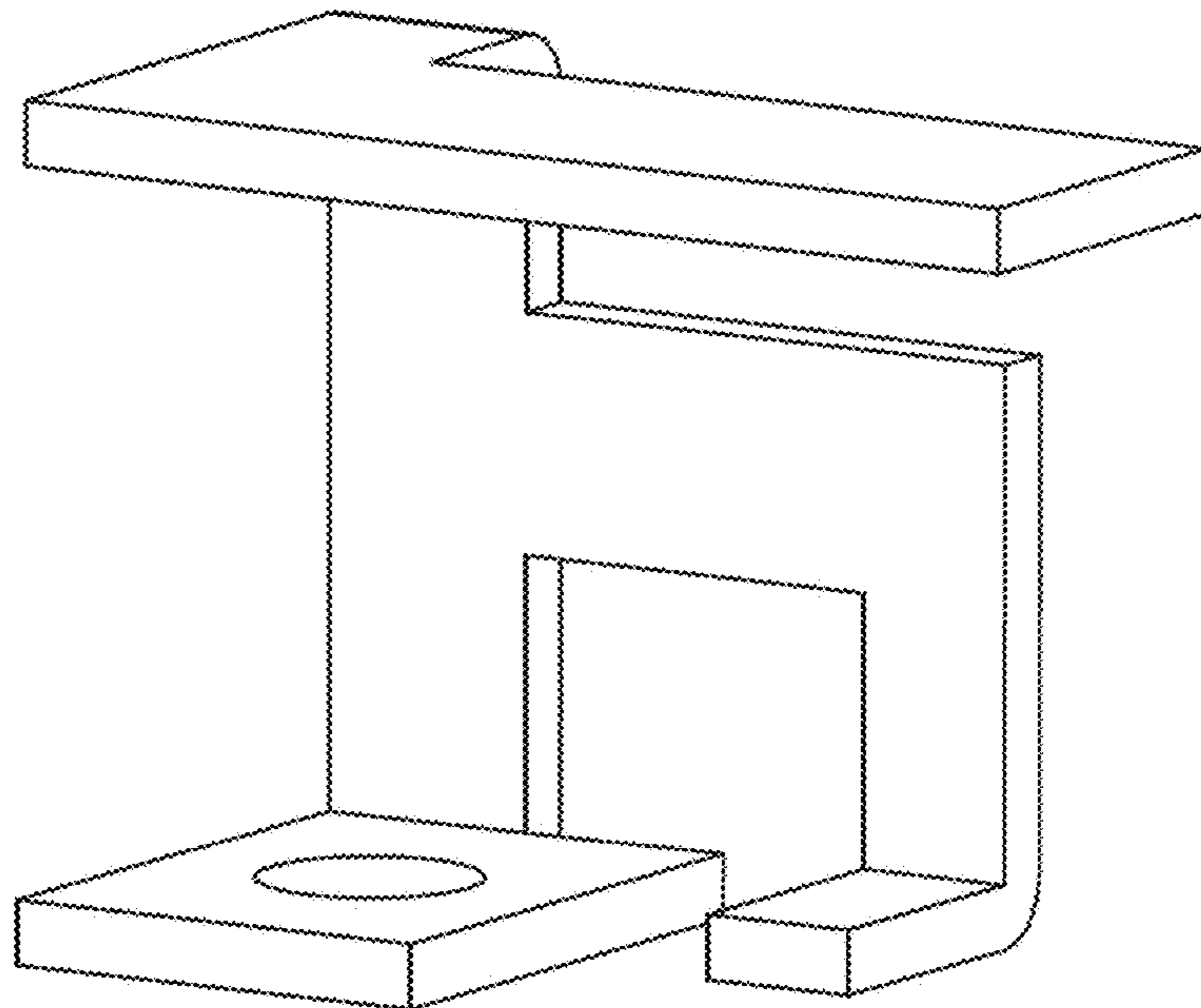


FIG. 6

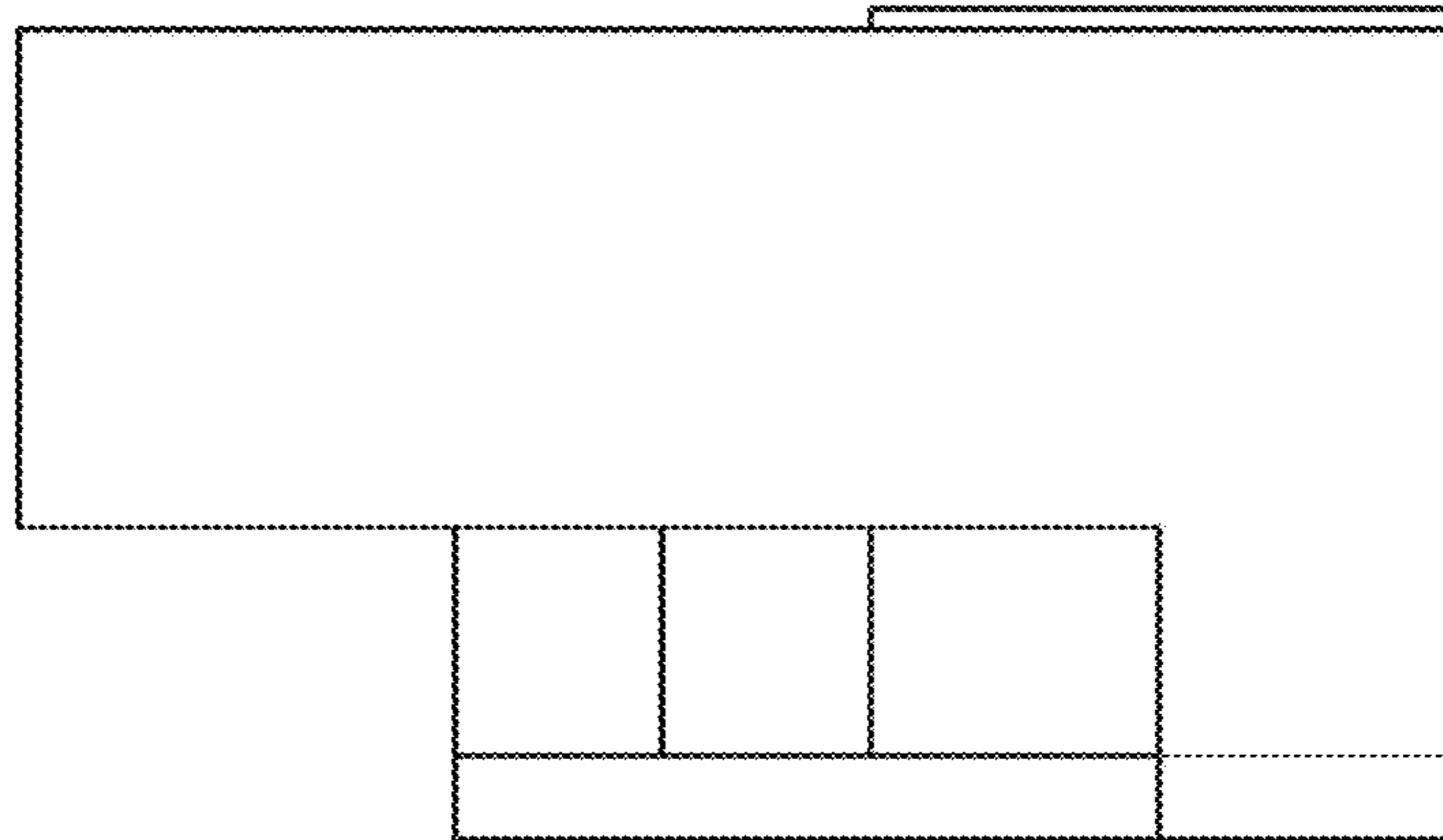


FIG. 7

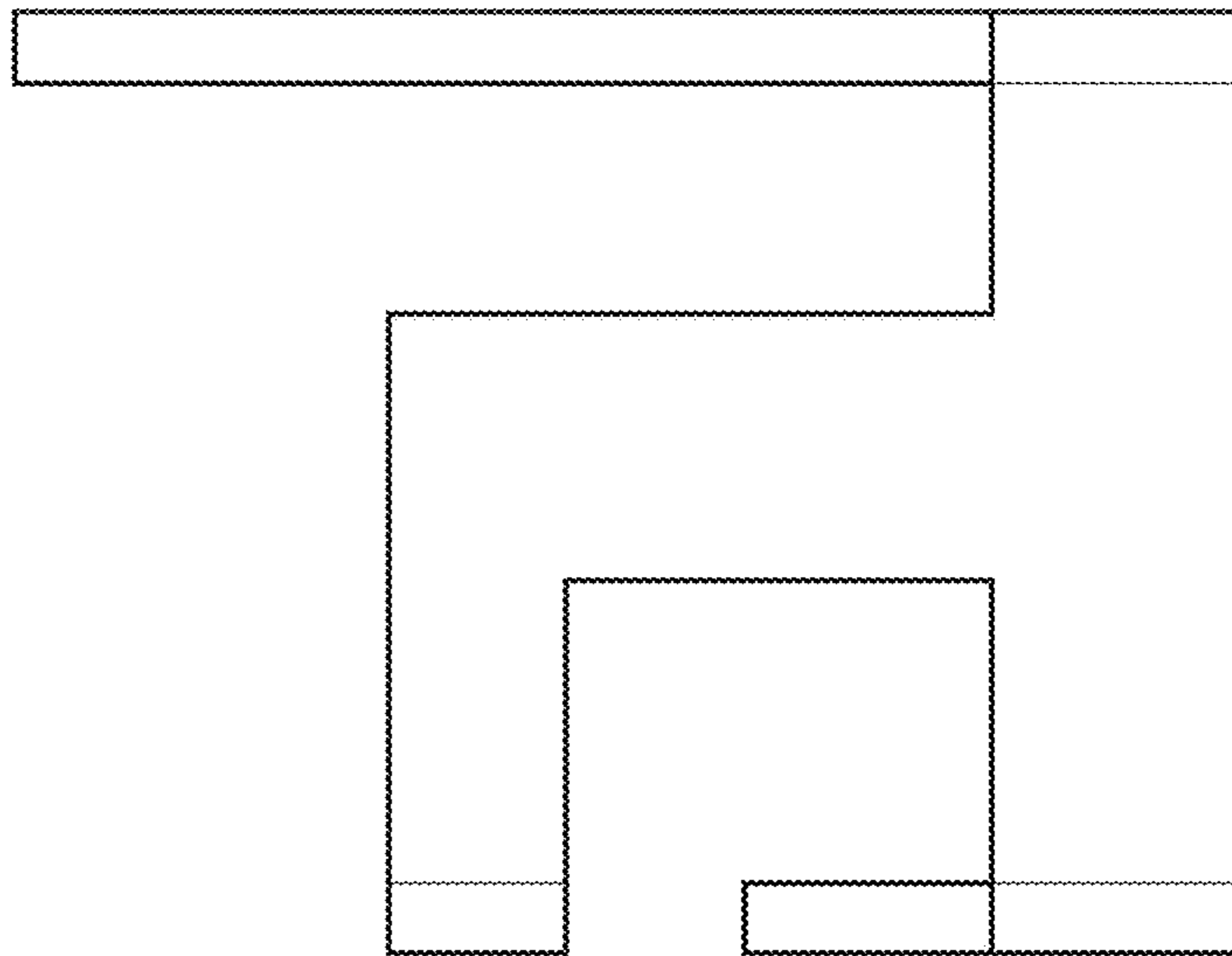


FIG. 8

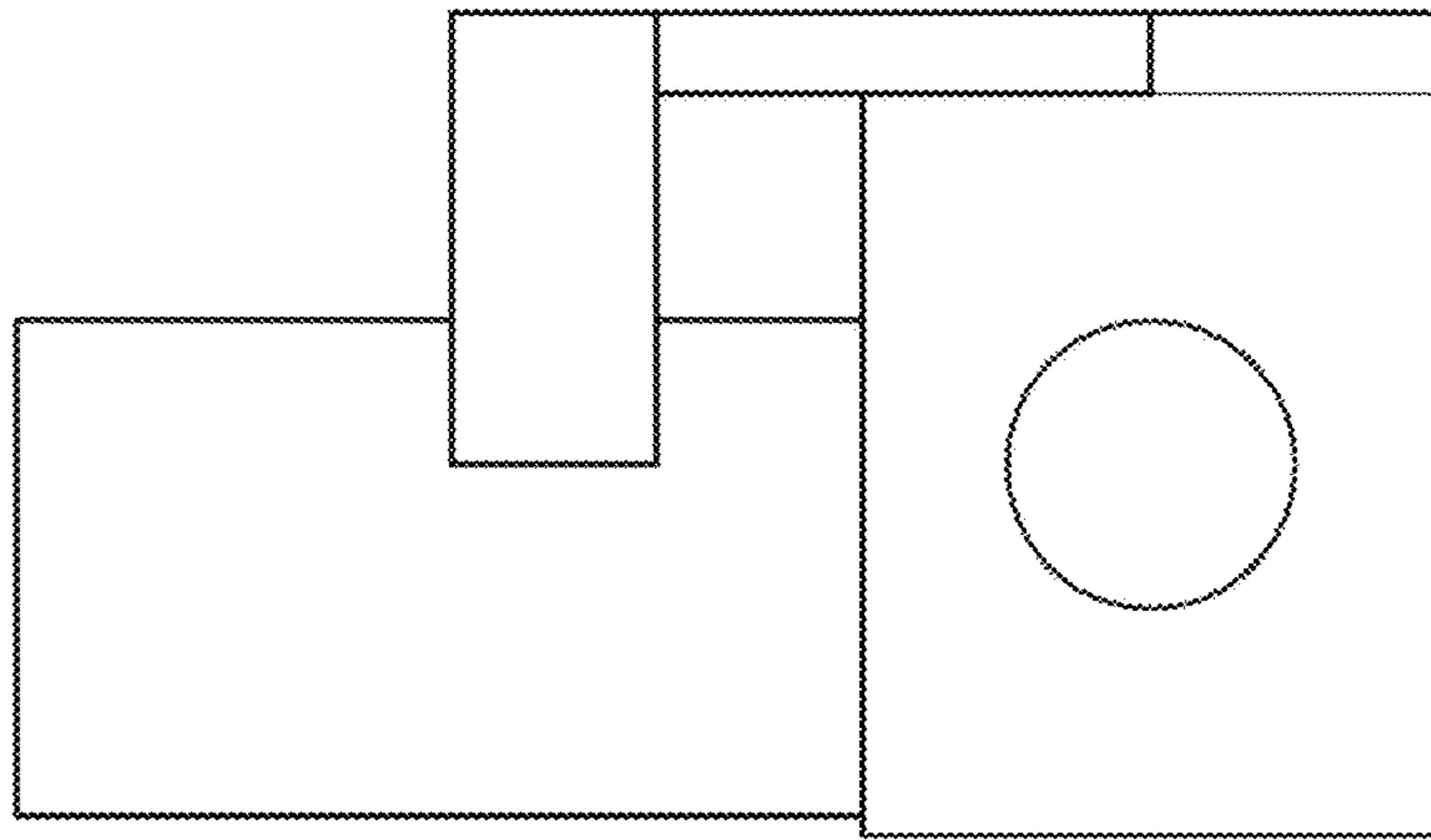


FIG. 9

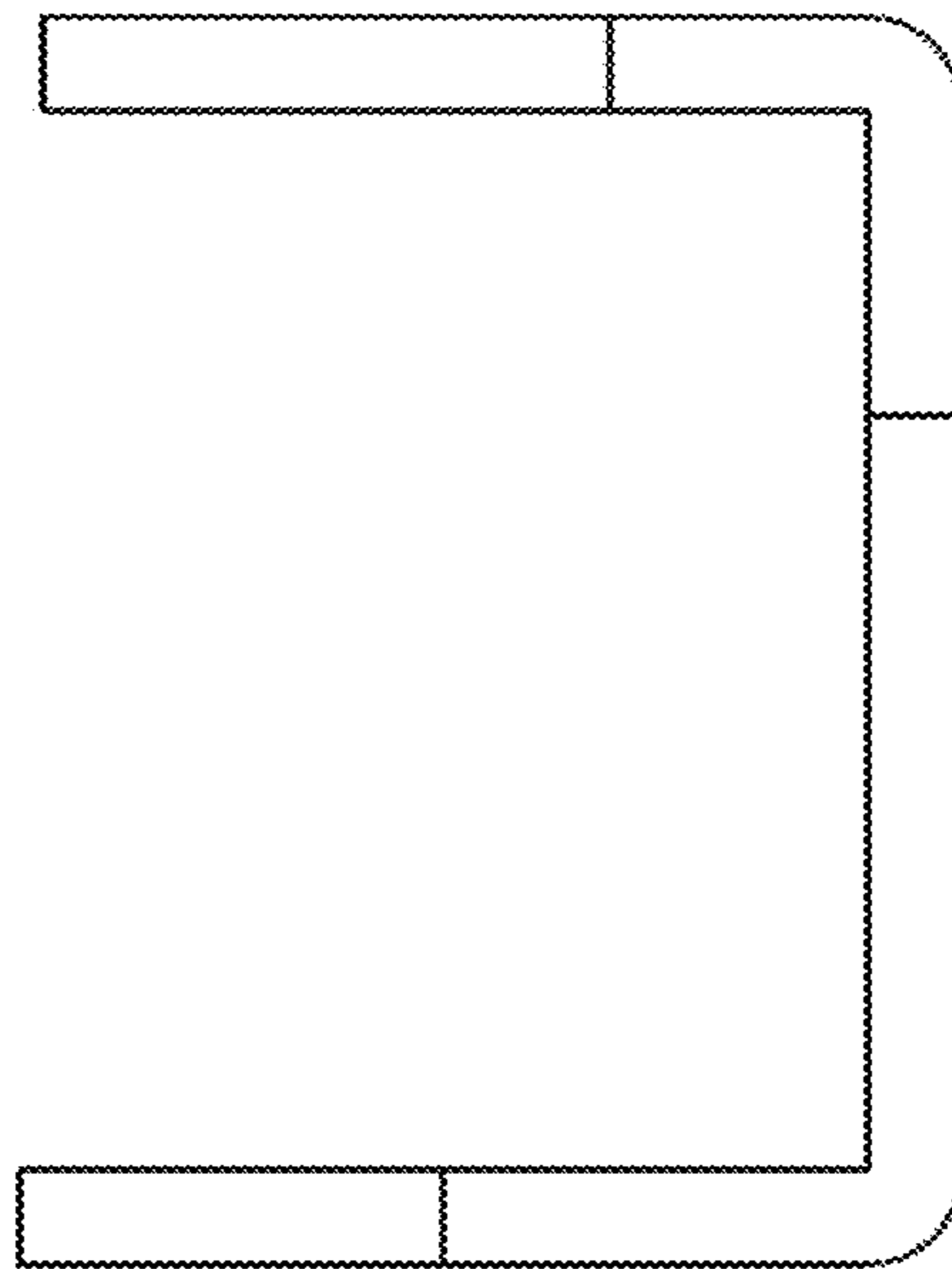


FIG. 10