



US00D801954S

(12) **United States Design Patent** (10) **Patent No.:** **US D801,954 S**
He et al. (45) **Date of Patent:** **** Nov. 7, 2017**

(54) **ANTENNA**
(71) Applicant: **Airgain, Incorporated**, San Diego, CA (US)
(72) Inventors: **Ziming He**, Irvine, CA (US); **Xiangjie Bian**, Zhang Jia Gang (CN); **Simon Yang**, Carlsbad, CA (US)
(73) Assignee: **Airgain Incorporated**, San Diego, CA (US)
(**) Term: **15 Years**

(21) Appl. No.: **29/535,525**

(22) Filed: **Aug. 7, 2015**

(51) **LOC (10) Cl.** **14-03**

(52) **U.S. Cl.**
USPC **D14/230**

(58) **Field of Classification Search**
USPC D14/230, 231, 232, 233, 234, 235, 236, D14/237, 238, 138, 299, 358; D12/42, D12/43
CPC H01Q 7/00; H01Q 13/10; H01Q 9/285; H01Q 19/30; H01Q 19/12; H01Q 1/38; H01Q 1/36; H01Q 1/42; H01Q 1/242; H01Q 1/243; H01Q 1/2266
See application file for complete search history.

(56) **References Cited**

U.S. PATENT DOCUMENTS

6,081,242 A * 6/2000 Wingo H01Q 1/242 333/32
7,193,565 B2 * 3/2007 Caimi H01Q 1/243 343/700 MS

D611,039 S * 3/2010 Deguchi D14/230
D698,764 S * 2/2014 Zeng D14/230
D716,775 S * 11/2014 Bidermann D14/230
D720,729 S * 1/2015 Escaro D14/230
D763,832 S * 8/2016 Gosalia D14/230
D767,544 S * 9/2016 Yang D14/230
2008/0007463 A1 * 1/2008 Chen H01Q 1/38 343/702
2010/0259451 A1 * 10/2010 Chang H01Q 9/26 343/700 MS
2012/0118975 A1 * 5/2012 Forster G06K 19/07749 235/492
2012/0268332 A1 * 10/2012 Guan H01Q 1/243 343/713
2014/0340264 A1 * 11/2014 Zeng H01Q 1/36 343/700 MS

* cited by examiner

Primary Examiner — Jennifer Rivard

Assistant Examiner — Jerry Hsu

(74) *Attorney, Agent, or Firm* — Clause Eight IPS; Michael Catania

(57) **CLAIM**

The ornamental design for an antenna, as shown and described.

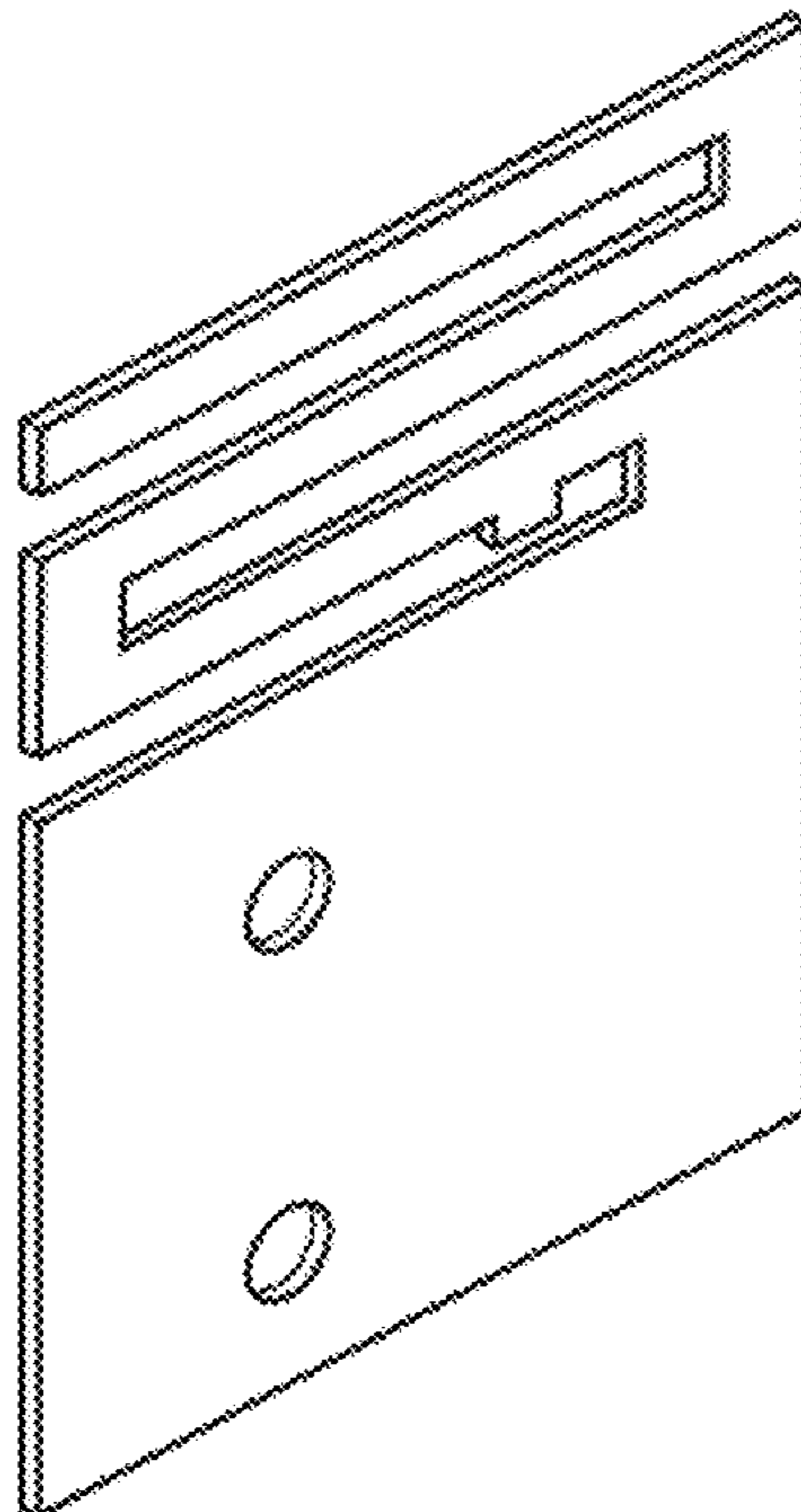
DESCRIPTION

FIG. 1 is a top perspective view of an antenna, showing our new design.

FIG. 2 is a front elevation view thereof; and,

FIG. 3 is a side elevation view thereof.

1 Claim, 1 Drawing Sheet



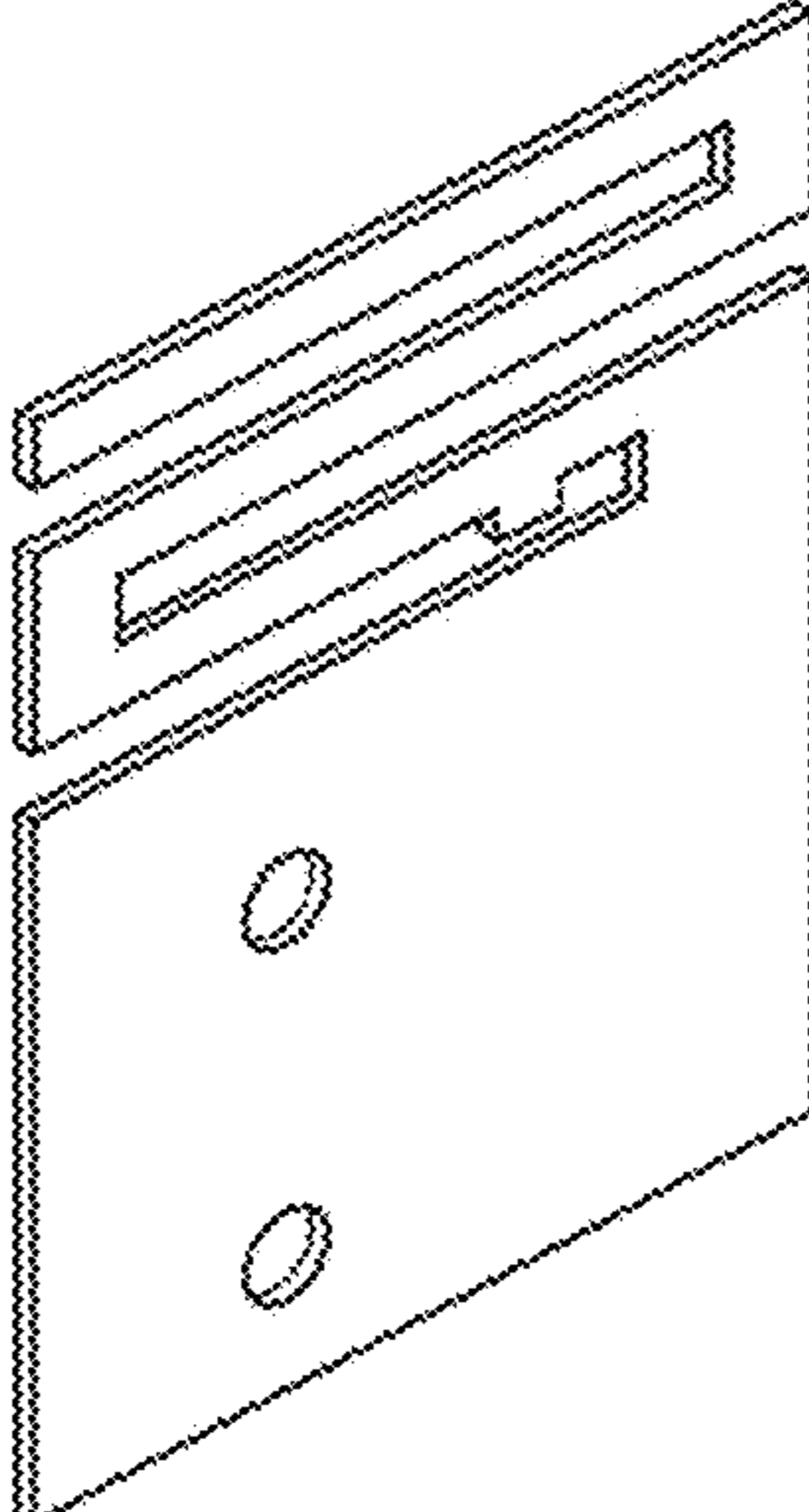


FIG. 1

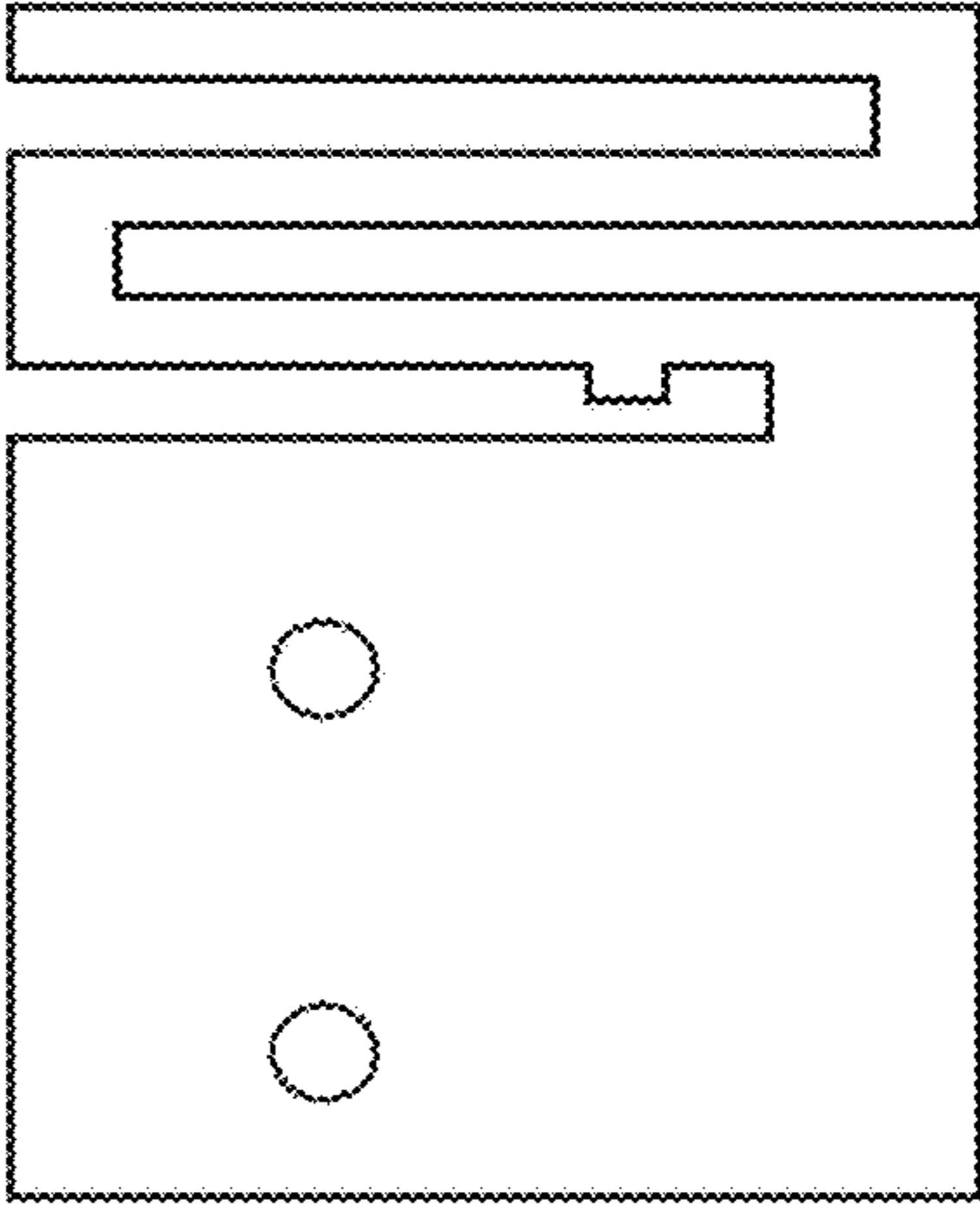


FIG. 2

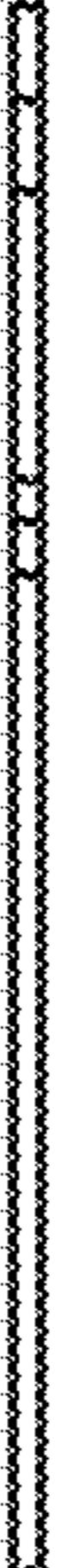


FIG. 3