



US00D801953S

(12) **United States Design Patent**  
**Sunwoo et al.**

(10) **Patent No.:** **US D801,953 S**

(45) **Date of Patent:** **\*\* Nov. 7, 2017**

(54) **MICROPHONE**

(71) Applicant: **Freedman Electronics Pty. Ltd.**,  
Silverwater, NSW (AU)

(72) Inventors: **Sun Kyung Sunwoo**, Sydney (AU);  
**See Lih Ong**, Sydney (AU); **Samuel Dean Trewartha**, Silverwater (AU);  
**Lisa Gyecsek**, Silverwater (AU); **Peter Noel Cooper**, Silverwater (AU)

(73) Assignee: **Freedman Electronics Pty. Ltd.** (AU)

(\*\*) Term: **15 Years**

(21) Appl. No.: **29/564,063**

(22) Filed: **May 10, 2016**

(51) **LOC (10) Cl.** ..... **14-01**

(52) **U.S. Cl.**

USPC ..... **D14/225**

(58) **Field of Classification Search**

USPC ..... D14/225, 226, 229, 224; D8/394, 396,  
D8/373, 354; 381/189, 363, 111, 151,  
381/122, 361, 368; 224/247; 248/316.1,  
248/313, 297.31, 229.26; 84/214, 421,  
84/453; D9/455; D7/620, 553  
CPC . H04R 19/04; H04R 1/02; H04R 1/08; H04R  
25/00; H04R 9/04

See application file for complete search history.

(56) **References Cited**

**U.S. PATENT DOCUMENTS**

1,527,046 A *	2/1925	Ingram	.....	A63H 27/10 426/104
D232,699 S	9/1974	Bartunek		
D233,669 S	11/1974	Plice		
4,194,096 A	3/1980	Ramsey		
4,514,598 A	4/1985	Plice		
4,546,950 A	10/1985	Cech		
4,577,070 A	3/1986	Shulman		
D296,099 S	6/1988	Kubota		

D314,325 S	2/1991	Ziaylek, Jr. et al.		
4,991,220 A	2/1991	Wolf		
D361,067 S *	8/1995	Brehmer	.....	D14/238
5,490,654 A *	2/1996	Herriman	.....	F41G 11/001 248/309.1
5,642,557 A	7/1997	Clews		
5,704,576 A *	1/1998	Meeker	.....	A47D 13/107 248/214
D427,586 S	7/2000	Cozzolino et al.		
D427,995 S	7/2000	Cozzolino et al.		
D462,888 S *	9/2002	Woosley	.....	D8/354
6,459,802 B1	10/2002	Young		

(Continued)

**OTHER PUBLICATIONS**

U.S. Appl. No. 29/522,200 of Sun Kyung Sunwoo et al., filed Mar. 27, 2015. (Unpublished).

(Continued)

*Primary Examiner* — Paula Allen Greene  
(74) *Attorney, Agent, or Firm* — Saidman DesignLaw Group, LLC

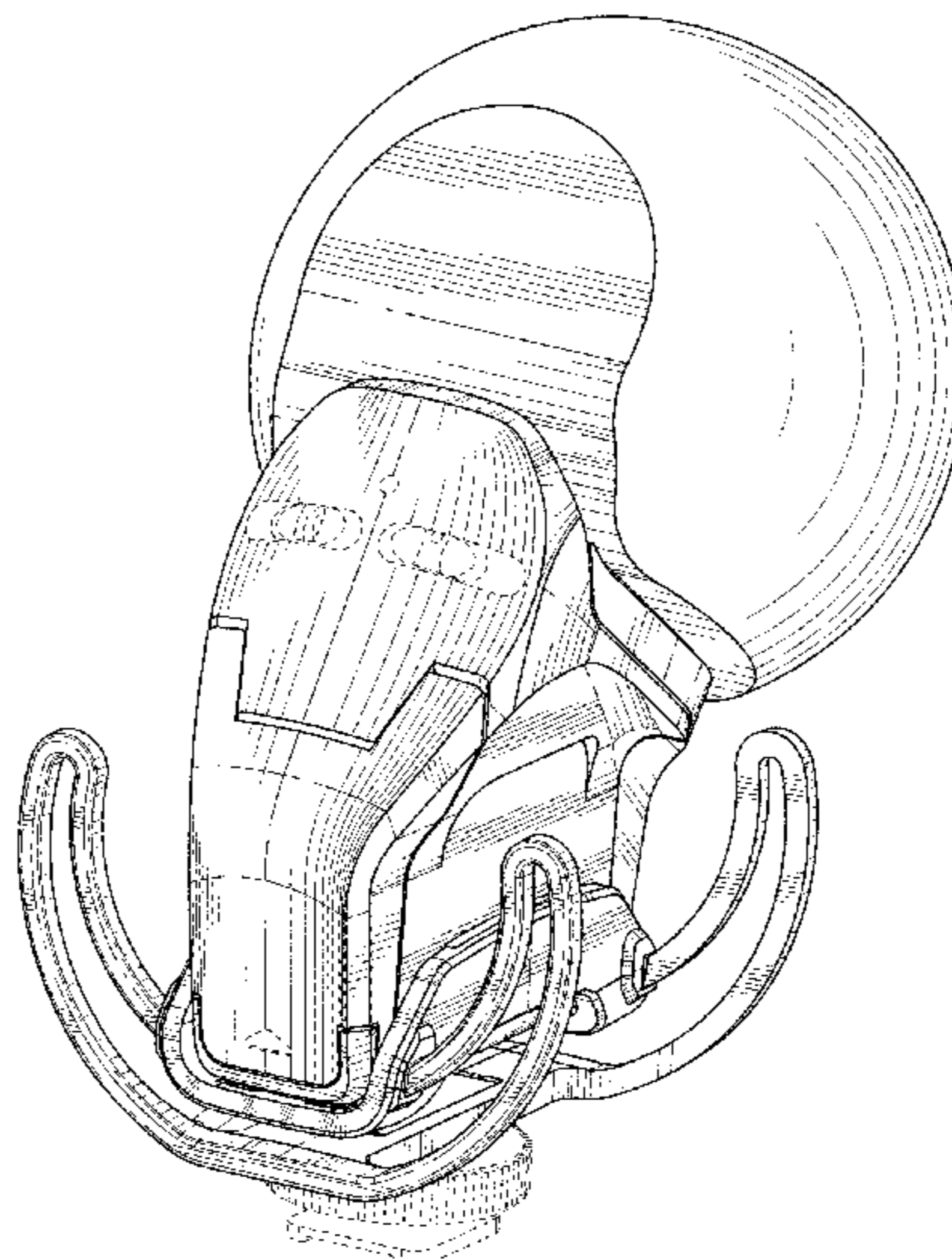
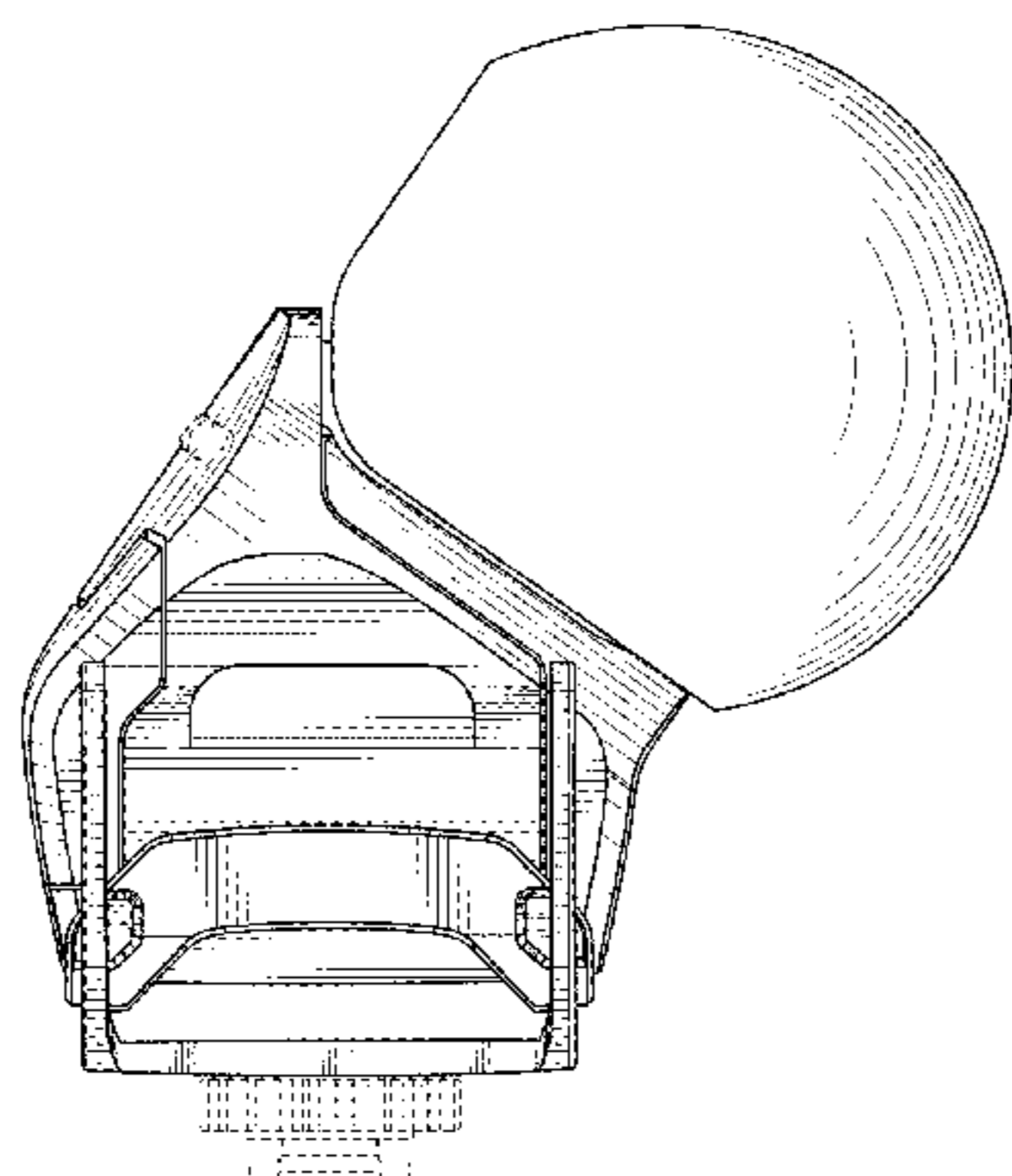
(57) **CLAIM**

The ornamental design for a microphone, as shown and described.

**DESCRIPTION**

FIG. 1 is a front right perspective view of a microphone showing our new design;  
FIG. 2 is a front view thereof;  
FIG. 3 is a rear view thereof;  
FIG. 4 is a left side view, the right side view being a mirror image thereof;  
FIG. 5 is a top view thereof;  
FIG. 6 is a bottom view thereof; and,  
FIG. 7 is a rear left perspective view thereof.  
The broken lines illustrate structure or features which form no part of the claimed design.

**1 Claim, 4 Drawing Sheets**



(56)

References Cited

U.S. PATENT DOCUMENTS

D506,385 S 6/2005 Brown  
 D511,192 S 11/2005 Nishihara  
 D516,642 S 3/2006 Swiszc et al.  
 D516,645 S 3/2006 Chung  
 D516,646 S 3/2006 Yang  
 D518,862 S 4/2006 Swiszc et al.  
 D563,396 S 3/2008 Probst et al.  
 D591,785 S 5/2009 Fong  
 D619,452 S 7/2010 Ollila  
 8,054,336 B2 11/2011 Vanderwilt et al.  
 8,117,796 B2 2/2012 Kodi  
 8,121,333 B2 2/2012 Woolf et al.  
 D659,200 S 5/2012 Wicken  
 D669,135 S 10/2012 Garfinkle  
 D676,428 S 2/2013 Trewartha et al.  
 D687,420 S 8/2013 Trewartha et al.  
 D703,193 S 4/2014 Trewartha et al.  
 8,783,636 B2 7/2014 Okita  
 D710,831 S 8/2014 Cooper et al.  
 8,814,118 B2 8/2014 Okita et al.  
 D723,363 S 3/2015 Symons  
 D730,327 S 5/2015 Mun et al.  
 D735,171 S 7/2015 Sunwoo et al.  
 D736,189 S 8/2015 Cooper et al.  
 D737,252 S 8/2015 Fereday et al.  
 D737,804 S 9/2015 Fereday et al.  
 D745,495 S 12/2015 Fereday et al.  
 D772,205 S \* 11/2016 Sunwoo ..... D14/229

D772,845 S \* 11/2016 Lim ..... D14/205  
 D772,848 S \* 11/2016 Sunwoo ..... D14/227  
 2005/0226450 A1\* 10/2005 Akino ..... H04R 1/083  
 381/361  
 2006/0082655 A1 4/2006 Vanderwilt et al.  
 2007/0195983 A1 8/2007 Klemme  
 2009/0016558 A1\* 1/2009 Woolf ..... H04R 1/08  
 381/368  
 2010/0239113 A1 9/2010 Browne  
 2012/0140972 A1\* 6/2012 Akino ..... H04R 3/04  
 381/356  
 2013/0019877 A1 1/2013 Sklar  
 2013/0061430 A1\* 3/2013 Okita ..... H01F 7/0252  
 24/303  
 2014/0233764 A1 8/2014 Mathis

OTHER PUBLICATIONS

U.S. Appl. No. 29/522,199 of Sun Kyung Sunwoo et al., filed Mar. 27, 2015. (Unpublished).  
 U.S. Appl. No. 29/480,875 of Peter Noel Cooper et al., filed Jan. 30, 2014. (Unpublished).  
 Office action dated Mar. 16, 2016 in U.S. App. No. 29/522,199 (unpublished).  
 Videomic Pro Shockmount. dvinfo.net (online forum). 1 pages. Uploaded Oct. 2008 [retrieved May 16, 2016]. Retrieved from Internet: <<http://www.dvinfo.net/forum/all-things-audio/509637-do-any-other-rode-lovers-hate-videomic-pro-shockmount.html>>.

\* cited by examiner

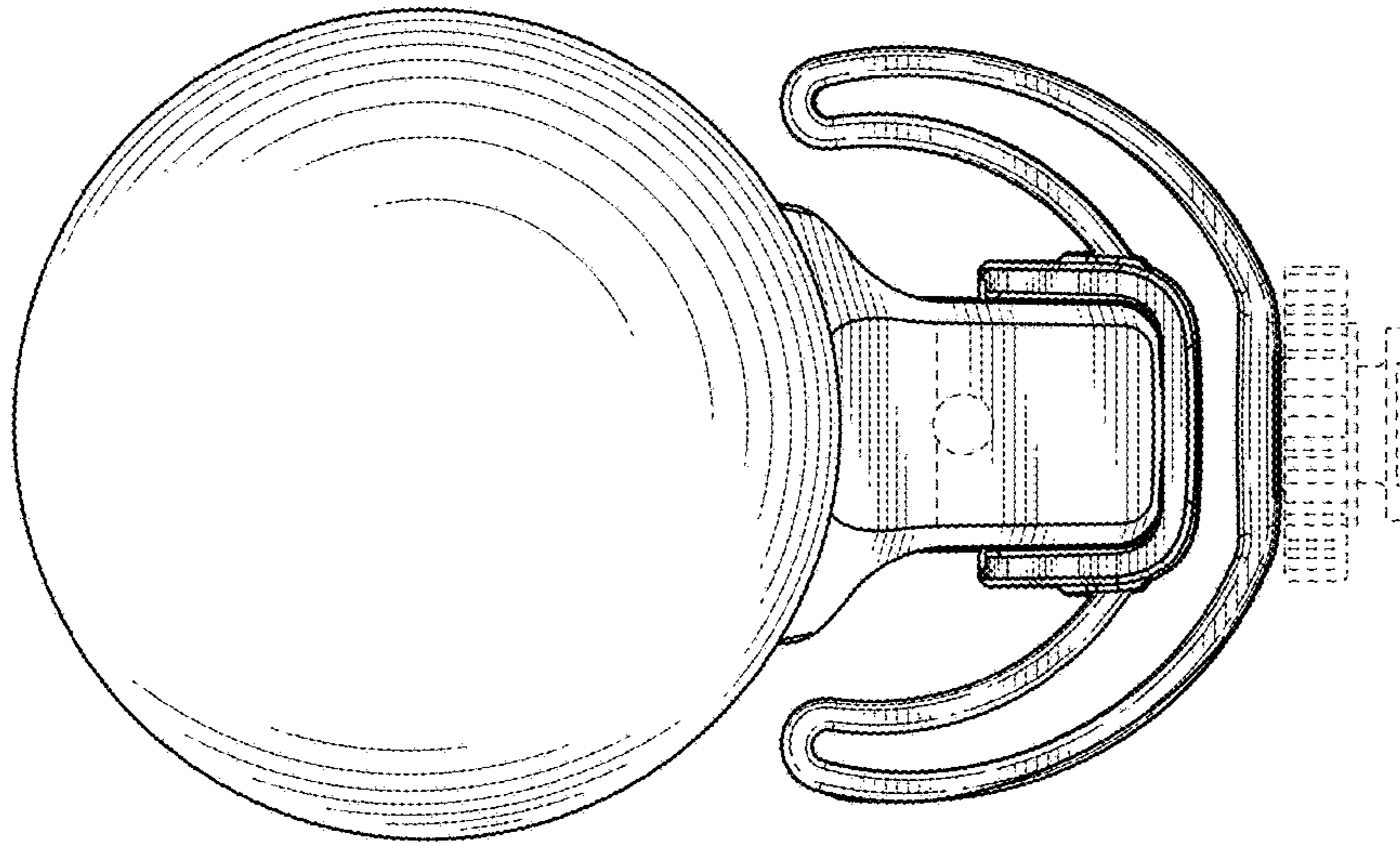


FIG. 2

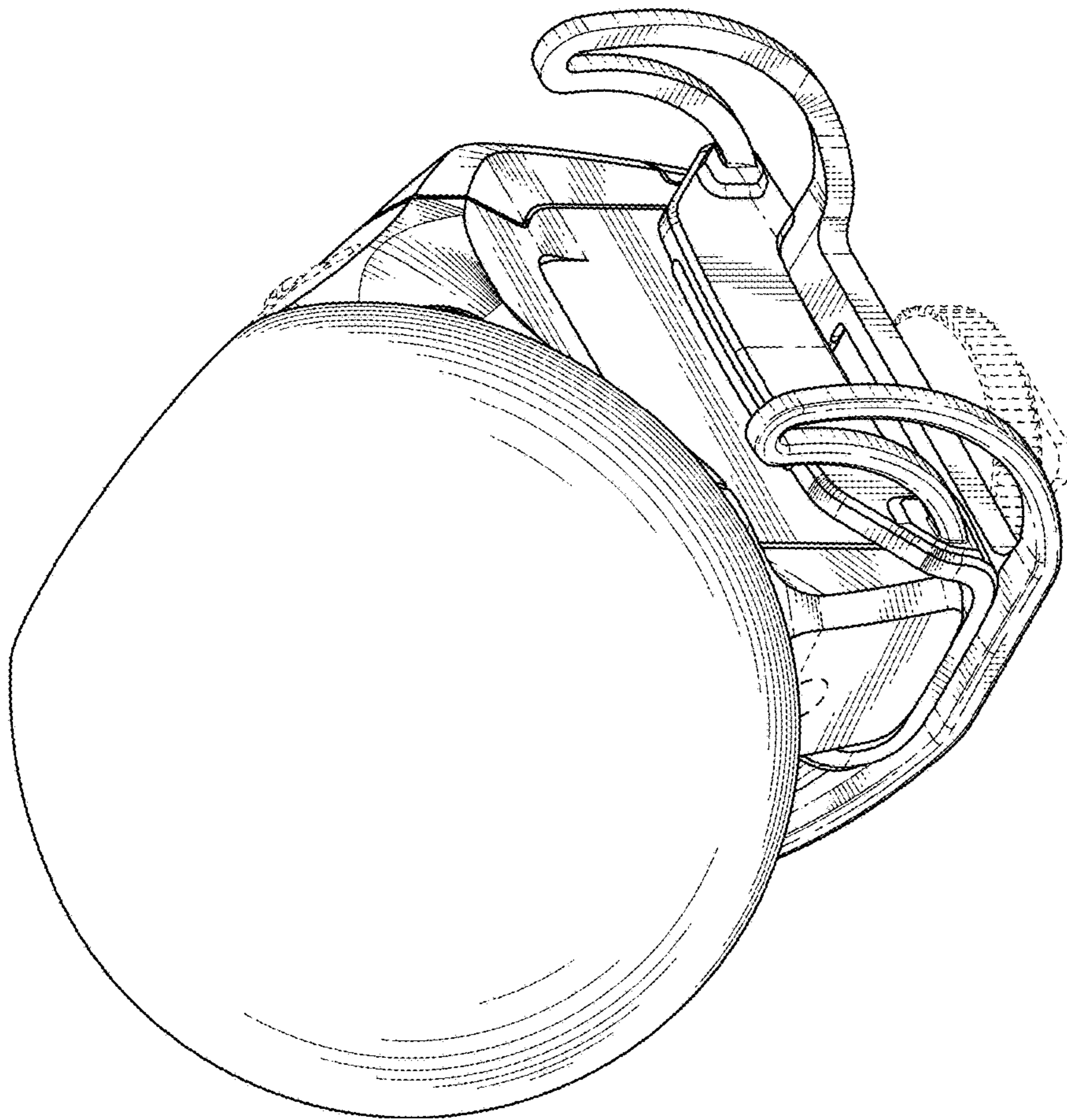


FIG. 1

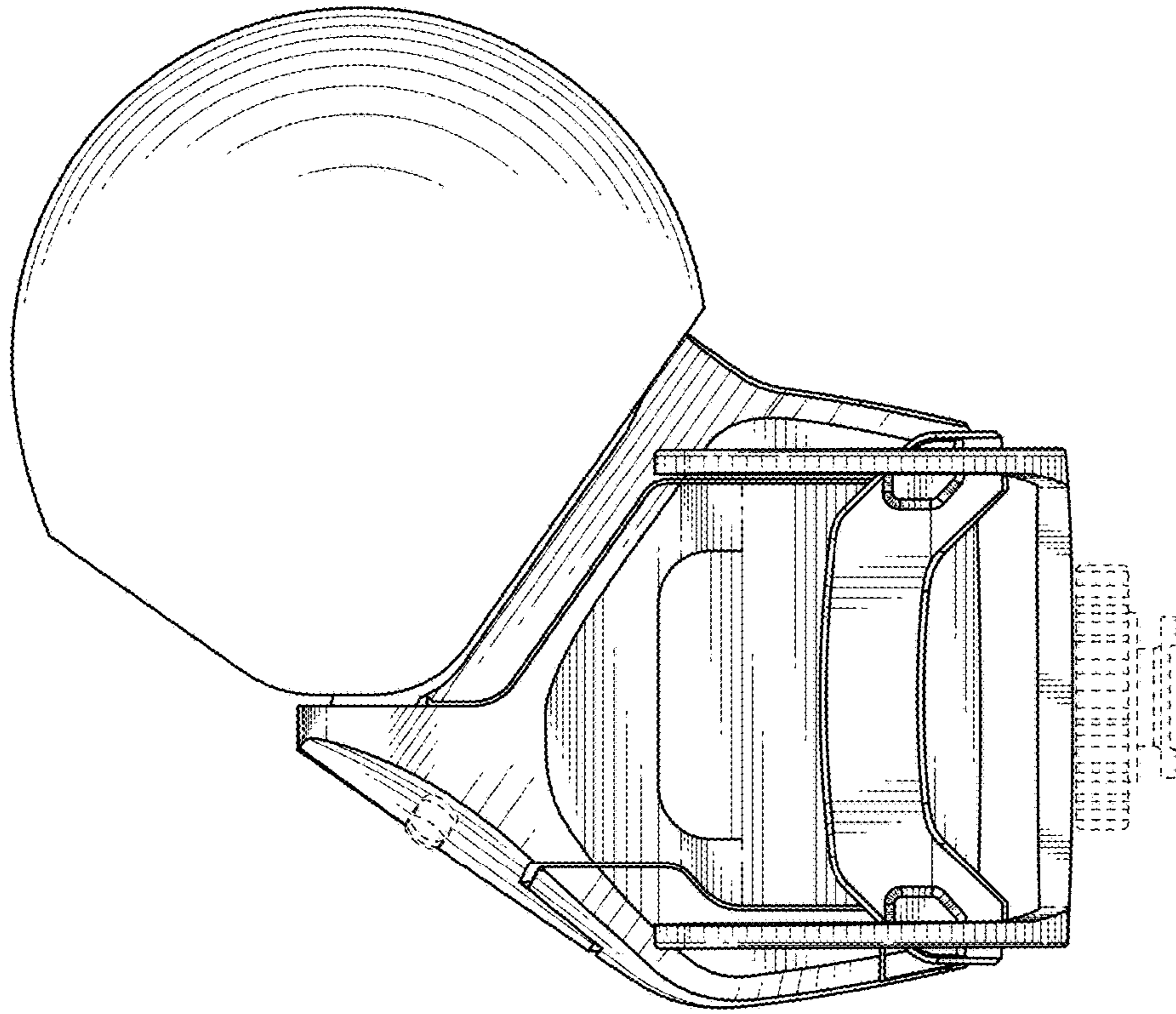


FIG. 4

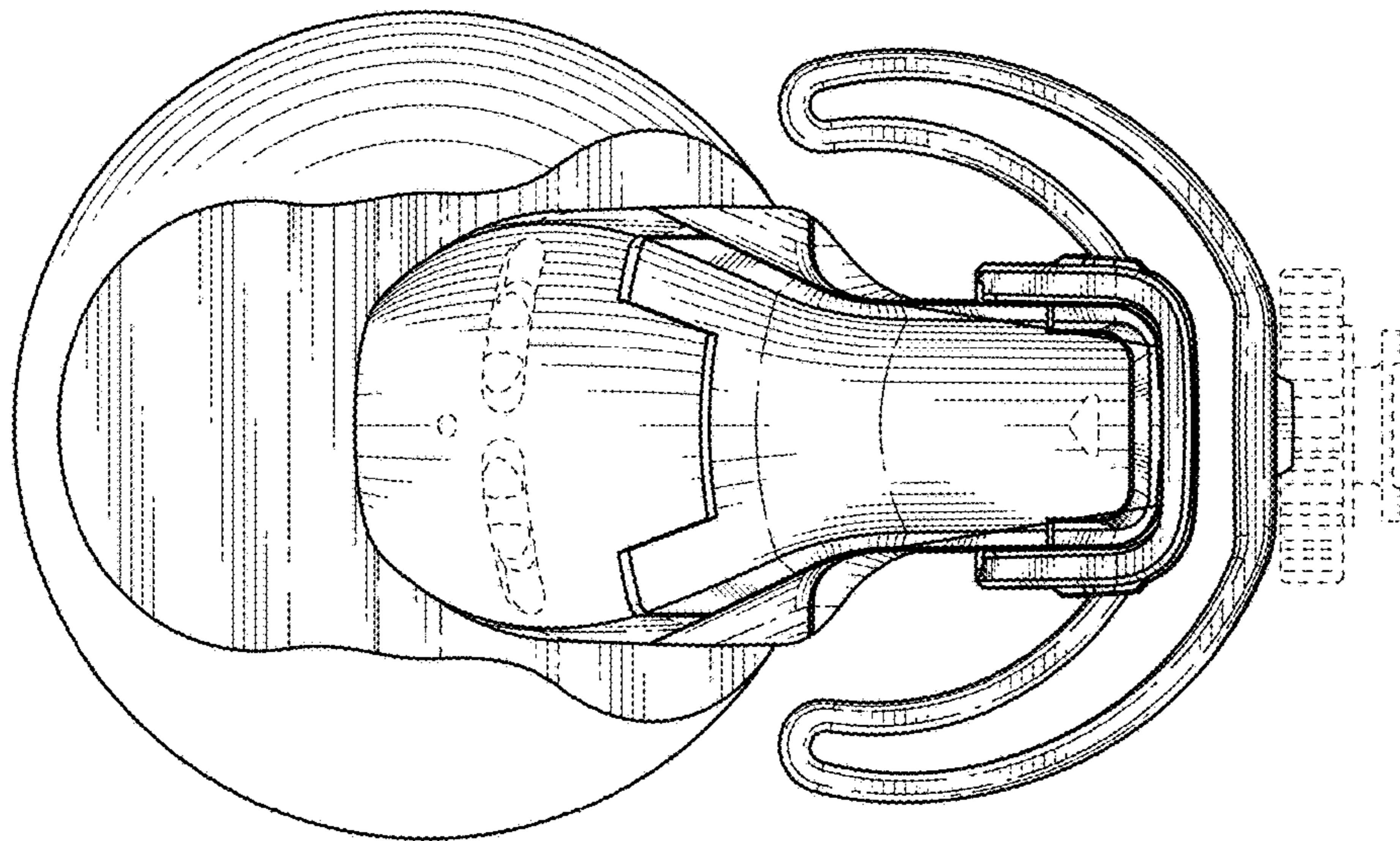


FIG. 3

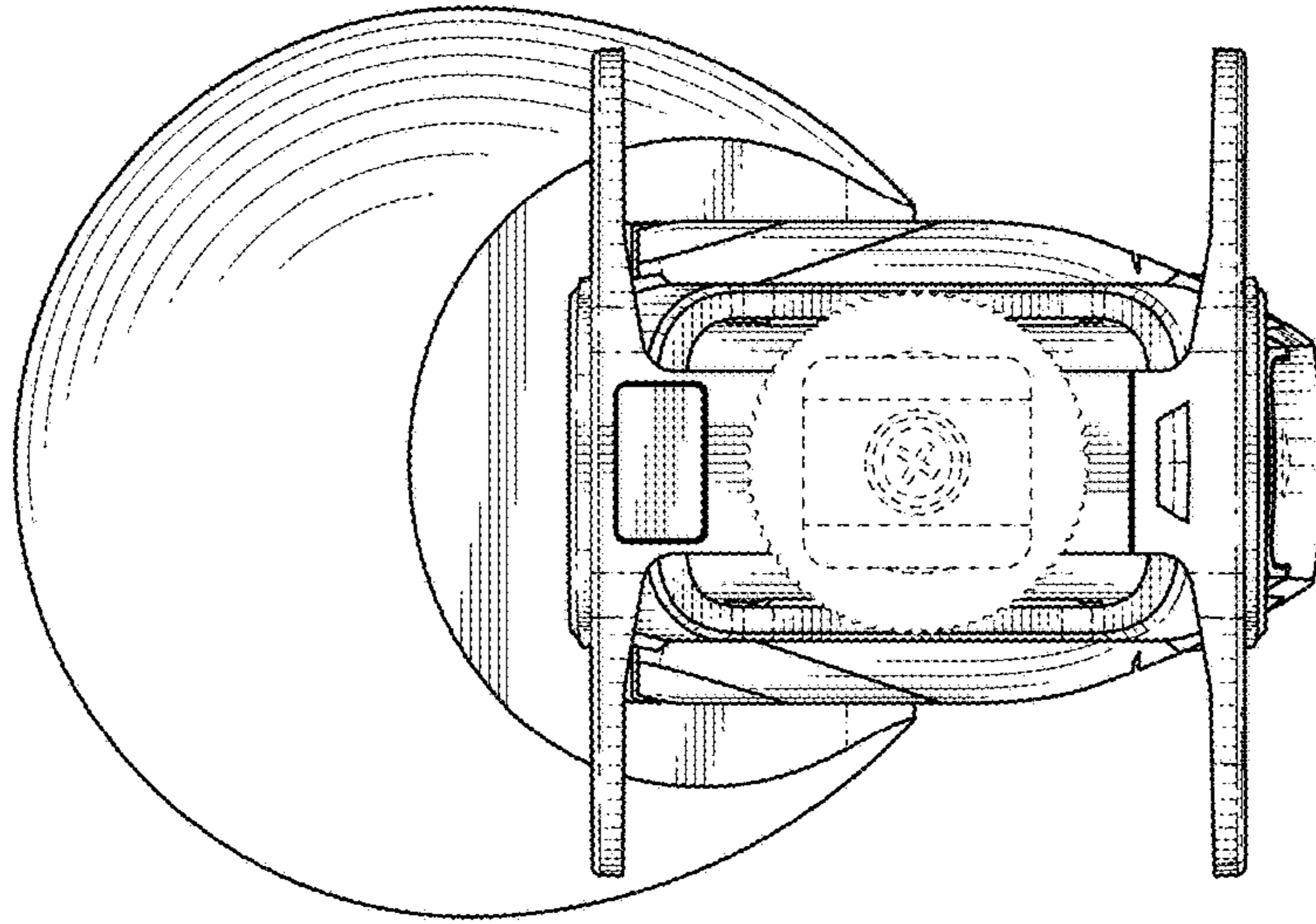


FIG. 5

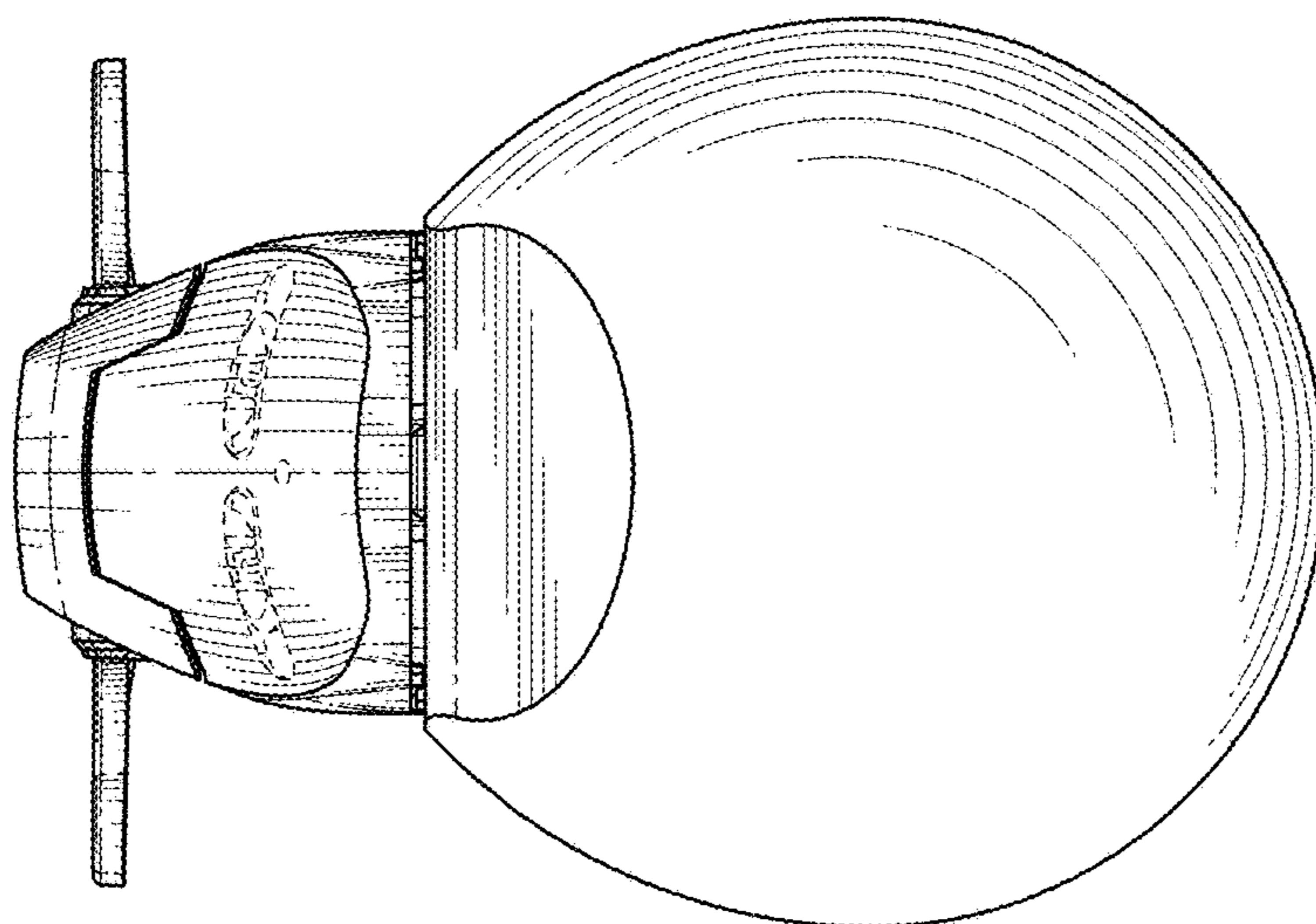


FIG. 6

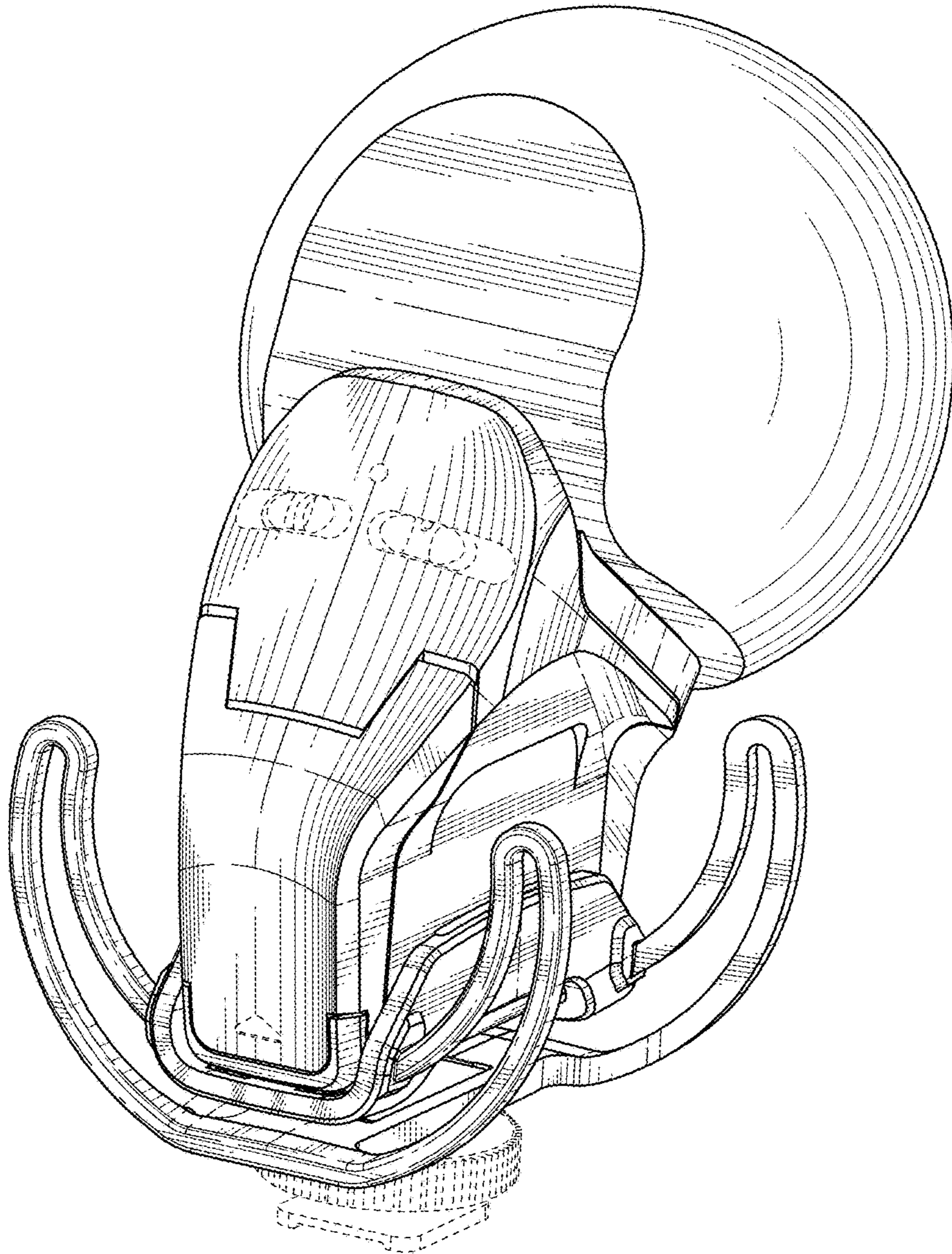


FIG. 7