



US00D801952S

(12) **United States Design Patent**
Lian

(10) **Patent No.:** **US D801,952 S**

(45) **Date of Patent:** **** Nov. 7, 2017**

(54) **WIRELESS HEADSET**

(71) Applicant: **Zhantao Lian**, Shenzhen (CN)

(72) Inventor: **Zhantao Lian**, Shenzhen (CN)

(**) Term: **15 Years**

(21) Appl. No.: **29/569,151**

(22) Filed: **Jun. 24, 2016**

(51) **LOC (10) Cl.** **14-01**

(52) **U.S. Cl.**
USPC **D14/223**; D14/217; D14/221

(58) **Field of Classification Search**
USPC D14/223, 205, 206; D24/174; 181/129,
181/130, 135; 128/864, 866, 867;
381/381

CPC H04R 25/00; H04R 25/02; H04R 1/10
See application file for complete search history.

(56) **References Cited**

U.S. PATENT DOCUMENTS

D538,268 S *	3/2007	Gibson	D14/223
D565,033 S *	3/2008	Goransson	D14/223
D566,108 S *	4/2008	Kan	D14/223
D566,694 S *	4/2008	Kim	D14/223
D568,876 S *	5/2008	Tsai	D14/223
D573,138 S *	7/2008	Goransson	D14/223
D579,924 S *	11/2008	Sade	D14/223
D581,396 S *	11/2008	Wikel	D14/206
D582,897 S *	12/2008	Christopher	D14/223
D595,698 S *	7/2009	Guccione	D14/223
D603,378 S *	11/2009	Paradise	D14/223
D604,722 S *	11/2009	Mistry	D14/223
D619,998 S *	7/2010	Birger	D14/223
D625,710 S *	10/2010	Yang	D14/223
D626,947 S *	11/2010	Lee	D14/223
D645,456 S *	9/2011	Carr	D14/223
D659,682 S *	5/2012	Cheng	D14/223

D664,125 S *	7/2012	Koch	D14/223
D664,950 S *	8/2012	Rye	D14/223
8,275,165 B2 *	9/2012	Birch	H04M 1/05 381/375
D712,382 S *	9/2014	Brunner	D14/223
D734,744 S *	7/2015	Brunner	D14/223
D741,299 S *	10/2015	Brunner	D14/223
D743,945 S *	11/2015	Brunner	D14/223
D743,946 S *	11/2015	Brunner	D14/223
D780,721 S *	3/2017	Brunner	D14/223

OTHER PUBLICATIONS

Toms Guide—Beats Powerbeats 2, announced May 5, 2015 [online], [site visited Mar. 20, 2017]. Available from internet, URL: <<http://www.tomsguide.com/us/beats-powerbeats-2-wireless-earbuds,review-2790.html>>.*

Northern Reviewer—SoundPEATS Q16, announced Dec. 14, 2016 [online], [site visited Mar. 20, 2017]. Available from internet, URL: <<http://northernreviewer.com/q16-truly-wireless-bluetooth-ear-phones-review>>.*

(Continued)

Primary Examiner — Keli L Hill

Assistant Examiner — Karra S Johnson

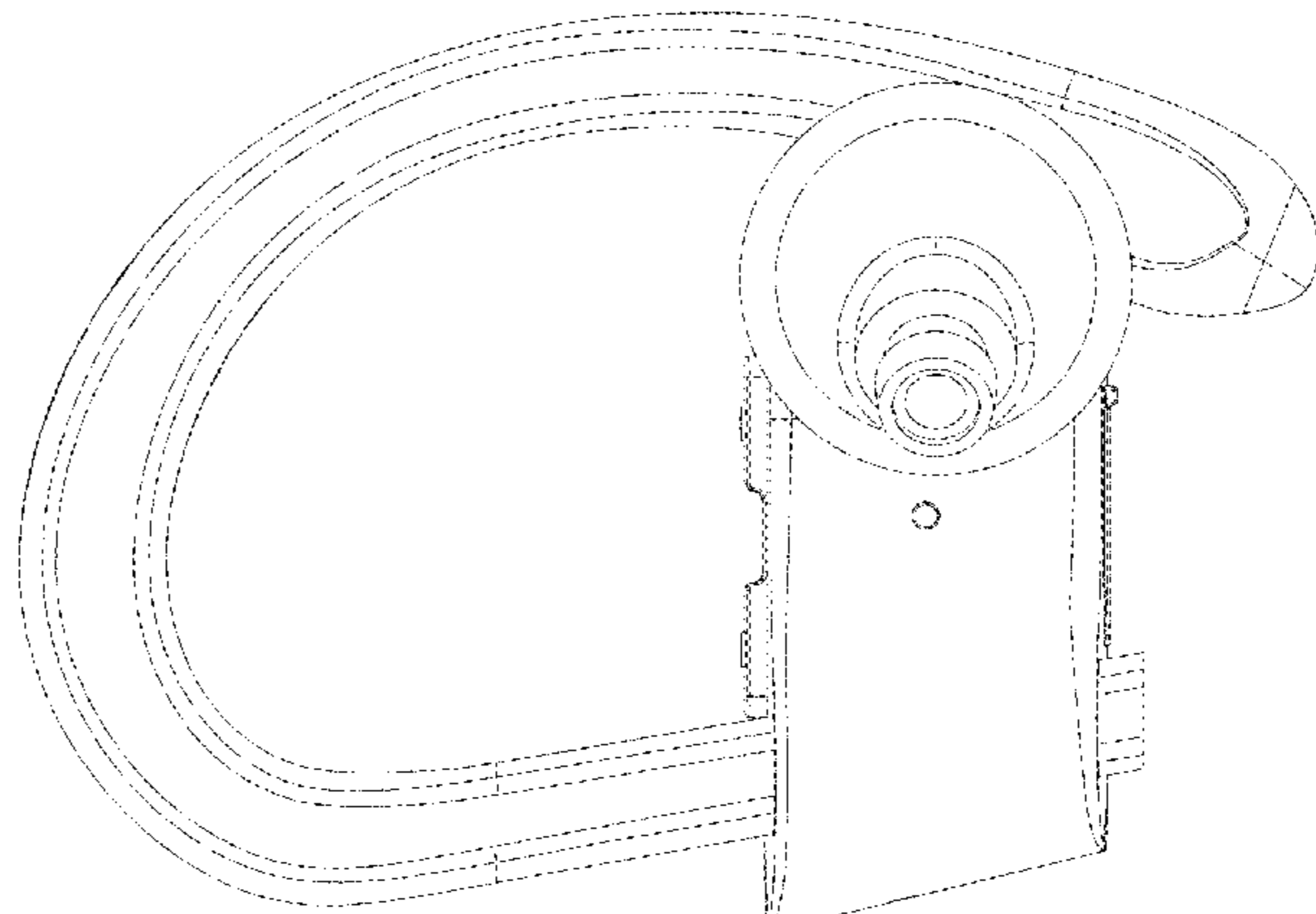
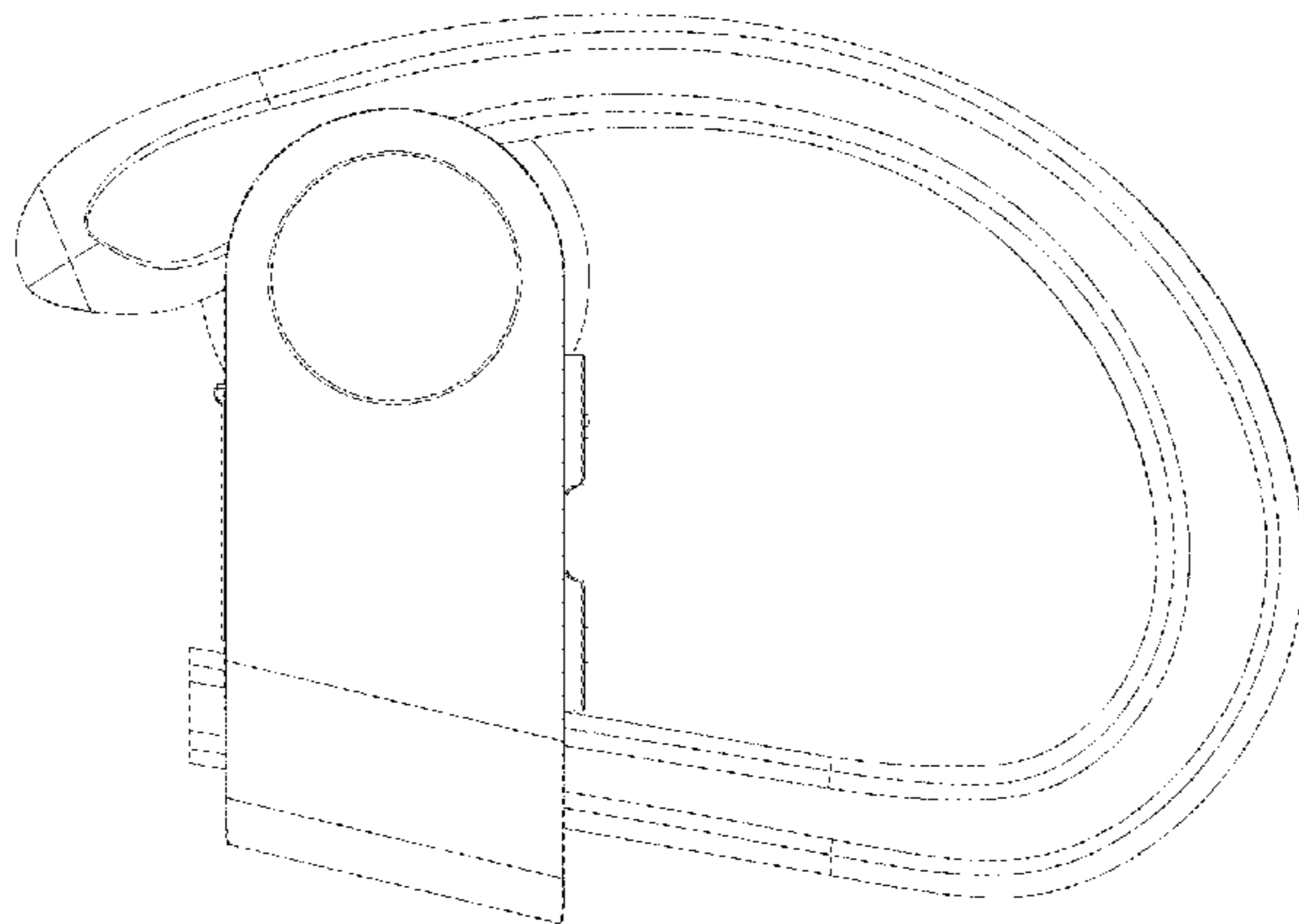
(57) **CLAIM**

The ornamental design for wireless headset, as shown and described.

DESCRIPTION

FIG. 1 is a front elevational view of wireless headset showing my new design;
FIG. 2 is a rear elevational view thereof;
FIG. 3 is a left side elevational view thereof;
FIG. 4 is a right side elevational view thereof;
FIG. 5 is a top plan view thereof; and,
FIG. 6 is a bottom plan view thereof.

1 Claim, 6 Drawing Sheets



(56)

References Cited

OTHER PUBLICATIONS

Gadget Explained—SoundPEATS Q23, announced Mar. 7, 2017 [online], [site visited Mar. 20, 2017]. Available from internet, URL: <<http://www.gadgetexplained.com/2017/03/soundpeats-q23-bluetooth-41-running.html>>.*

Tech Advisor—SoundPeats Sport Q9, announced Aug. 27, 2015 [online], [site visited Mar. 20, 2017]. Available from internet, URL: <http://www.soundpeatsaudio.com/html/goaling/product/detail_anon.html?product_id=34>.*

* cited by examiner

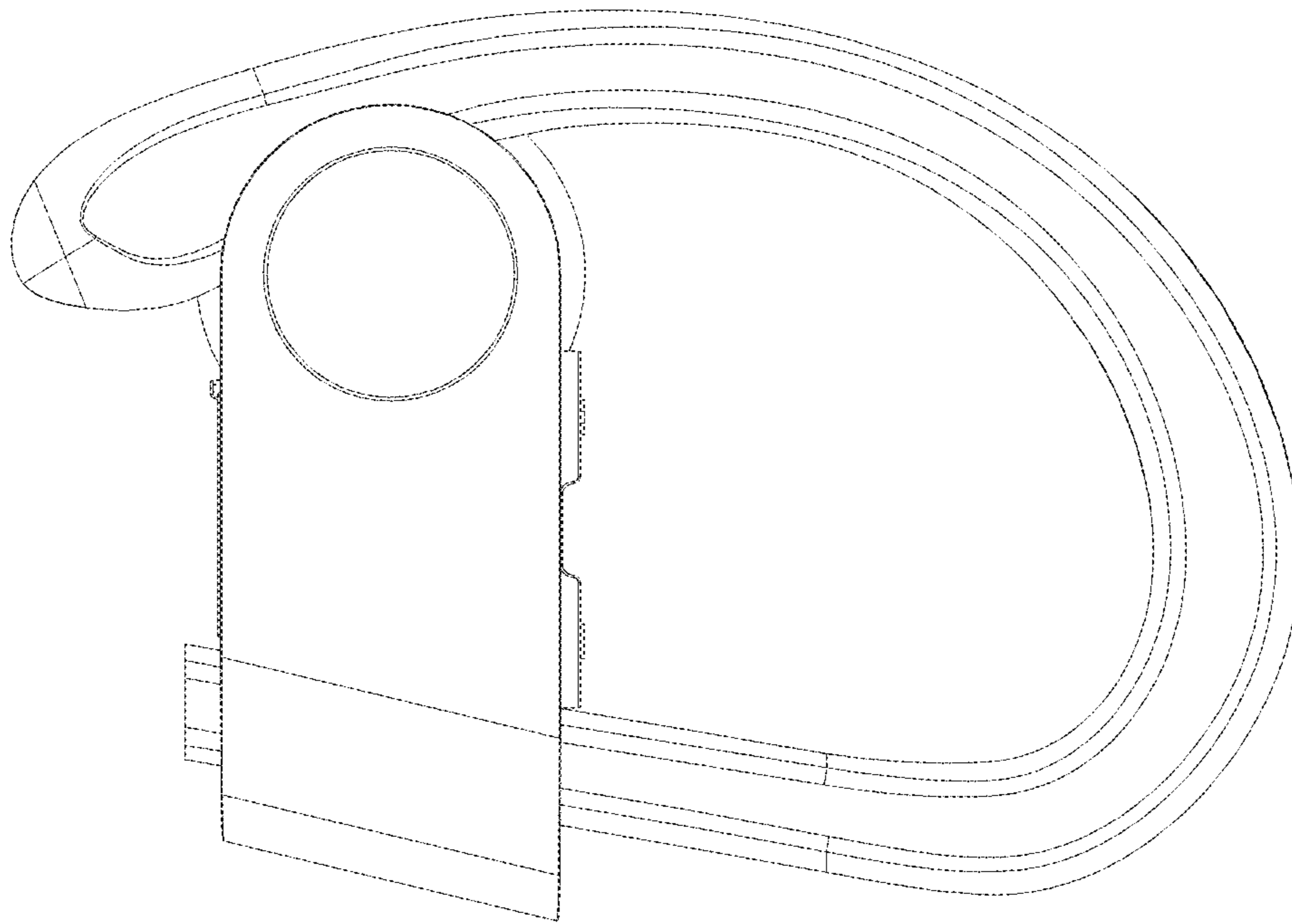


FIG.1

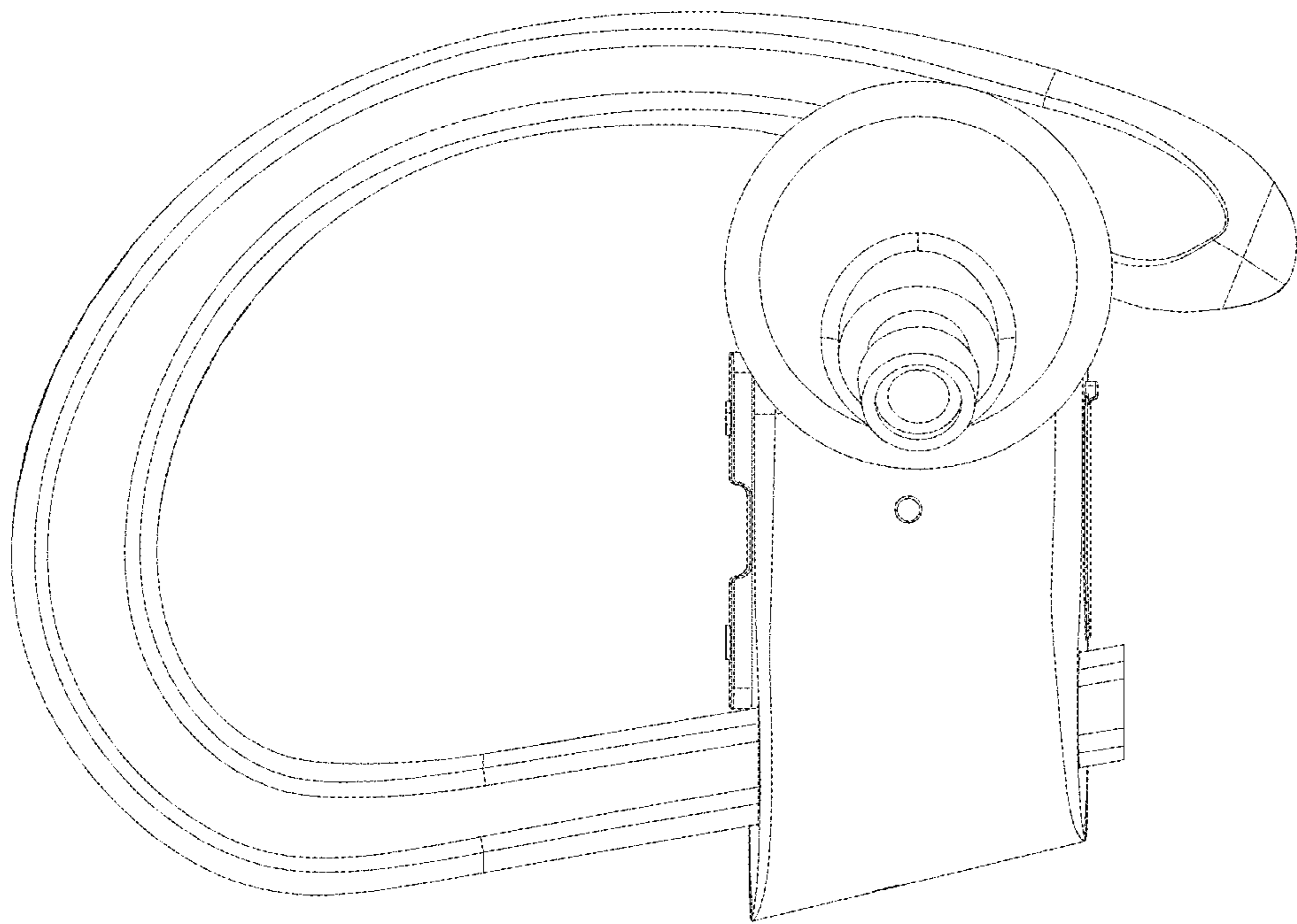


FIG.2

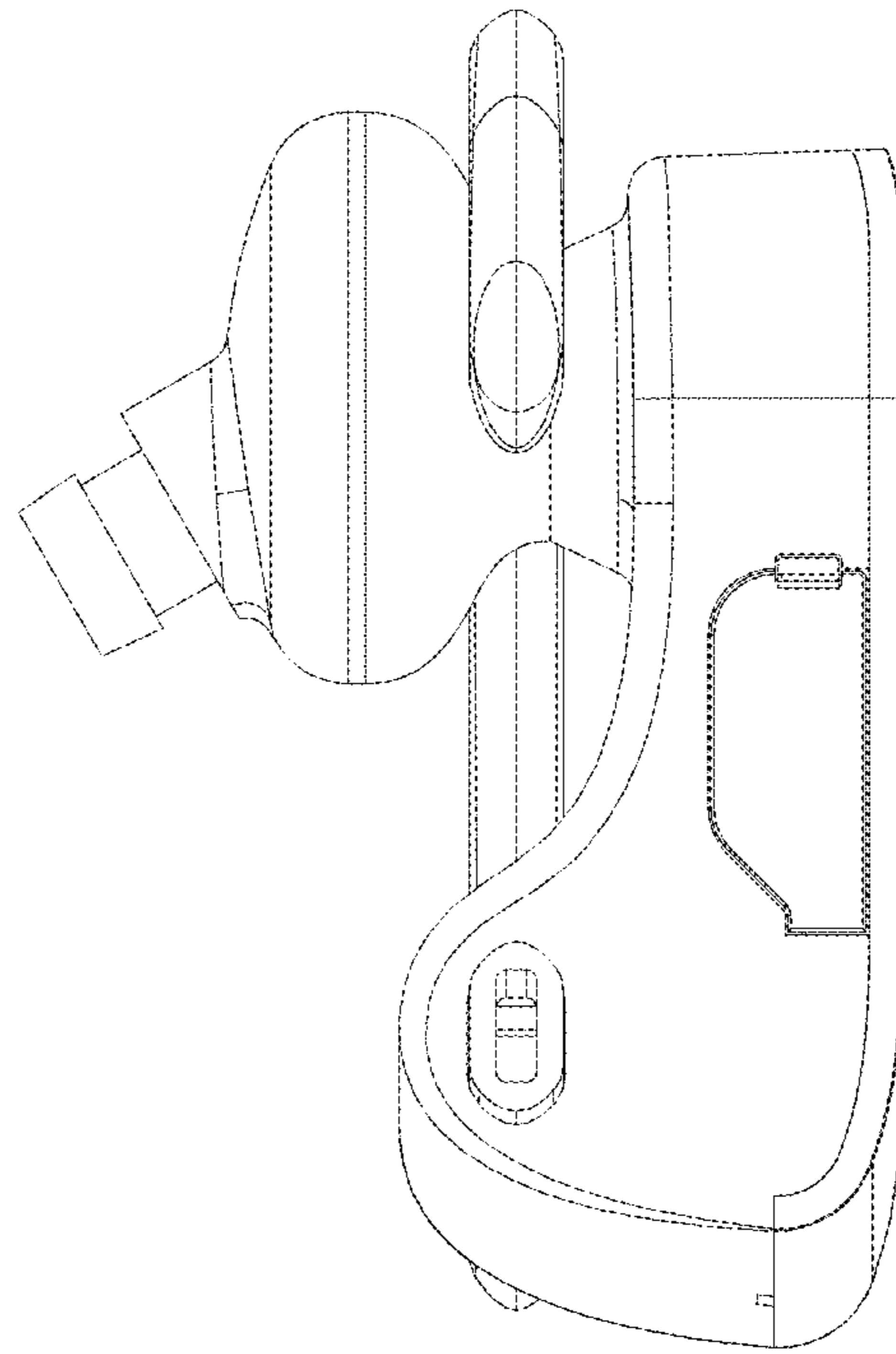


FIG.3

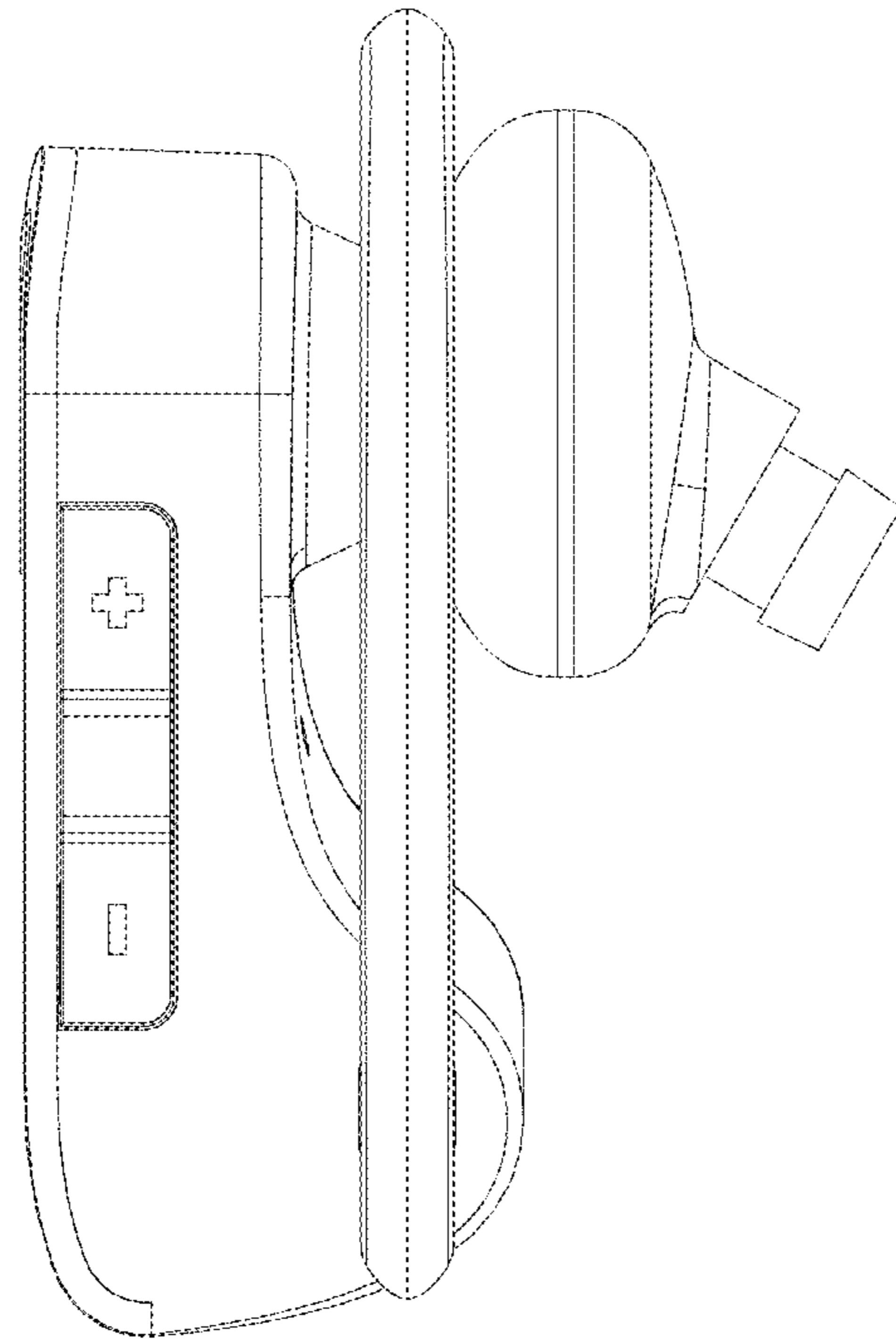


FIG. 4

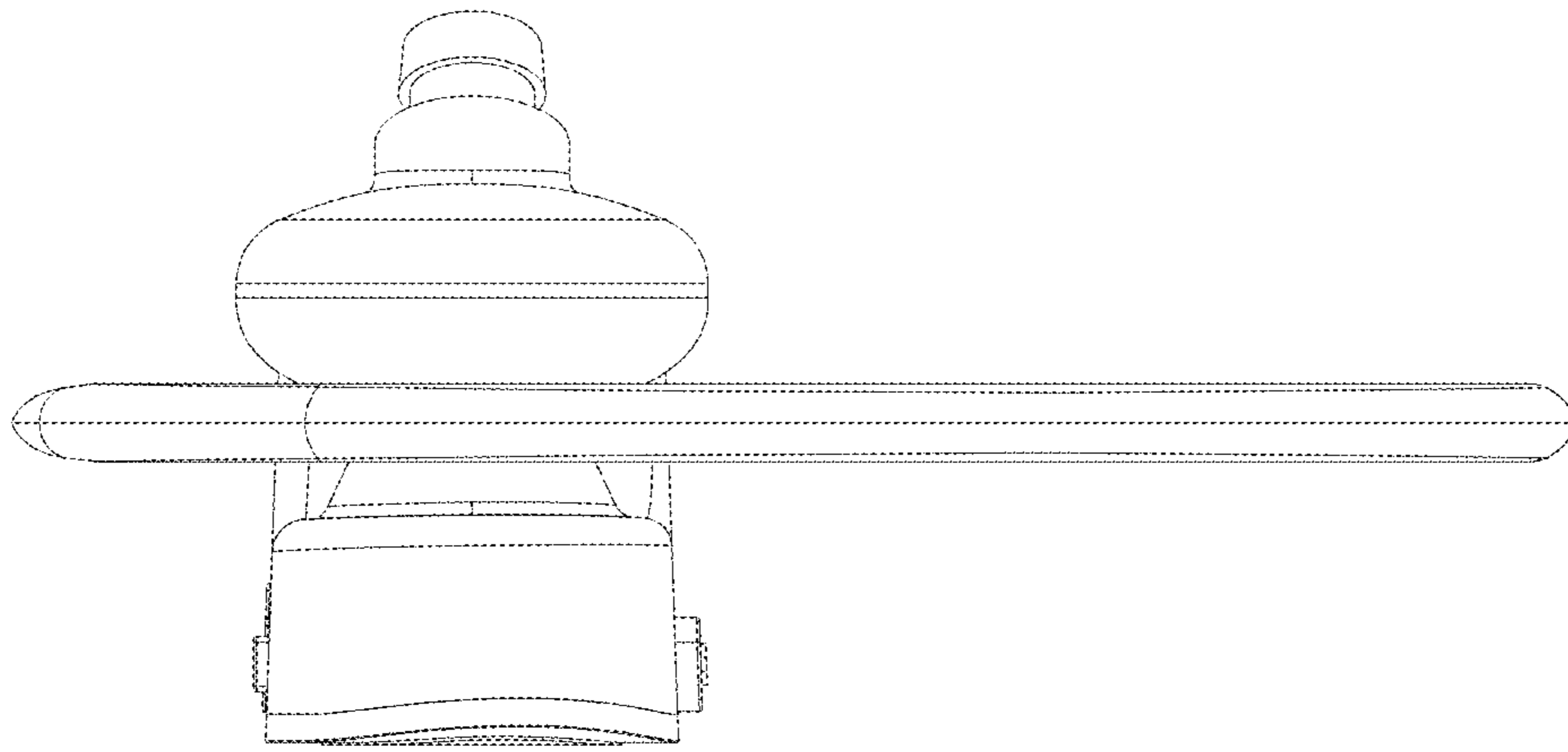


FIG. 5

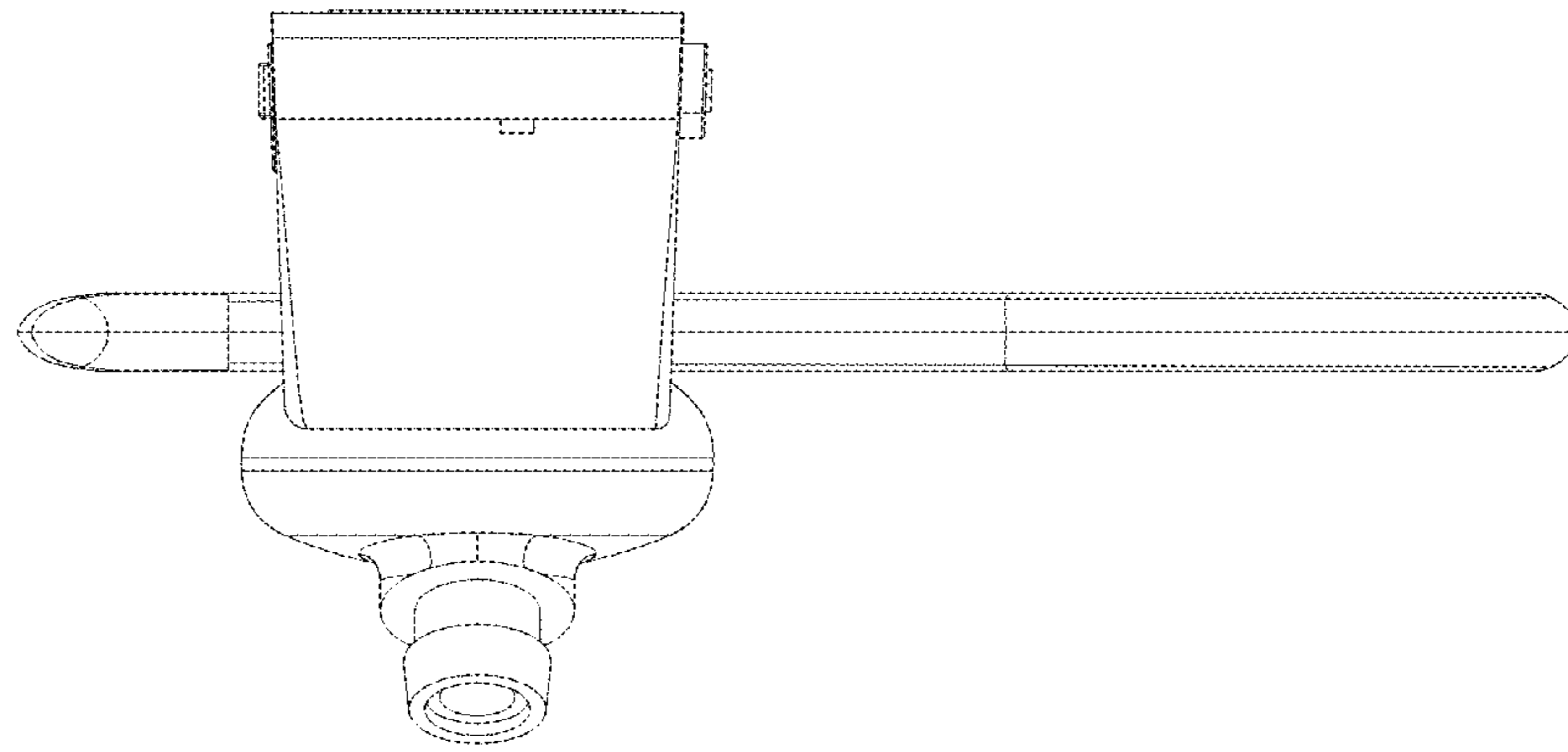


FIG.6