



US00D801950S

(12) **United States Design Patent**
Otani et al.

(10) **Patent No.:** **US D801,950 S**

(45) **Date of Patent:** **** Nov. 7, 2017**

(54) **COMMUNICATION DEVICE**

(71) Applicant: **Sony Mobile Communications Inc.**,
Tokyo (JP)

(72) Inventors: **Yusuke Otani**, Tokyo (JP); **Keita Hibi**,
Tokyo (JP); **Daisuke Ishii**, Tokyo (JP); **Kazuhiro Ishida**, Tokyo (JP); **Simon
Henning**, Lund (SE); **So Morimoto**,
Surrey (GB); **Hiroya Fujii**, Surrey
(GB); **Pietro Russomanno**, Surrey
(GB); **Jake Rich**, Surrey (GB); **Yuki
Kubota**, Tokyo (JP)

(73) Assignee: **SONY MOBILE
COMMUNICATIONS INC.**, Tokyo
(JP)

(**) Term: **15 Years**

(21) Appl. No.: **29/555,302**

(22) Filed: **Feb. 19, 2016**

(51) **LOC (10) Cl.** **14-01**

(52) **U.S. Cl.**
USPC **D14/223**

(58) **Field of Classification Search**
USPC ... D14/205, 223, 240, 204, 138 R, 372, 344,
D14/358, 496; 455/90.3, 575.1, 575.2;
181/129, 130, 135; 379/430, 431;
381/380, 381, 370, 371, 378, 375, 374,
381/182, 385, 328, 308
CPC H04R 25/00; H04R 1/10; H04R 1/1033;
H04R 1/1016; H04R 1/1091; H04R
1/105; H04R 1/1066
See application file for complete search history.

(56) **References Cited**

U.S. PATENT DOCUMENTS

2,125,348 A * 8/1938 Kurman H04R 25/608
381/328
2,188,591 A * 1/1940 Carlson H04R 25/652
181/132

2,363,175 A * 11/1944 Grossman H04R 25/48
181/132
3,408,033 A * 10/1968 Kochevar A47G 1/02
248/126
3,440,365 A * 4/1969 Hazell H04M 1/05
379/430

(Continued)

Primary Examiner — Paula Greene

(74) *Attorney, Agent, or Firm* — Michael Best and
Friedrich LLP

(57) **CLAIM**

The ornamental design for a communication device, as
shown and described.

DESCRIPTION

FIG. 1 is a front, top, right perspective view of a first
embodiment of a communication device showing our new
design;

FIG. 2 is a front, bottom, right perspective view thereof;

FIG. 3 is a front elevational view thereof;

FIG. 4 is a rear elevational view thereof;

FIG. 5 is a left side elevational view thereof;

FIG. 6 is a right side elevational view thereof;

FIG. 7 is a top plan view thereof; and

FIG. 8 is a bottom plan view thereof.

FIG. 9 is a front, top, right perspective view of a second
embodiment of a communication device showing our new
design;

FIG. 10 is a front, bottom, right perspective view thereof;

FIG. 11 is a front elevational view thereof;

FIG. 12 is a rear elevational view thereof;

FIG. 13 is a left side elevational view thereof;

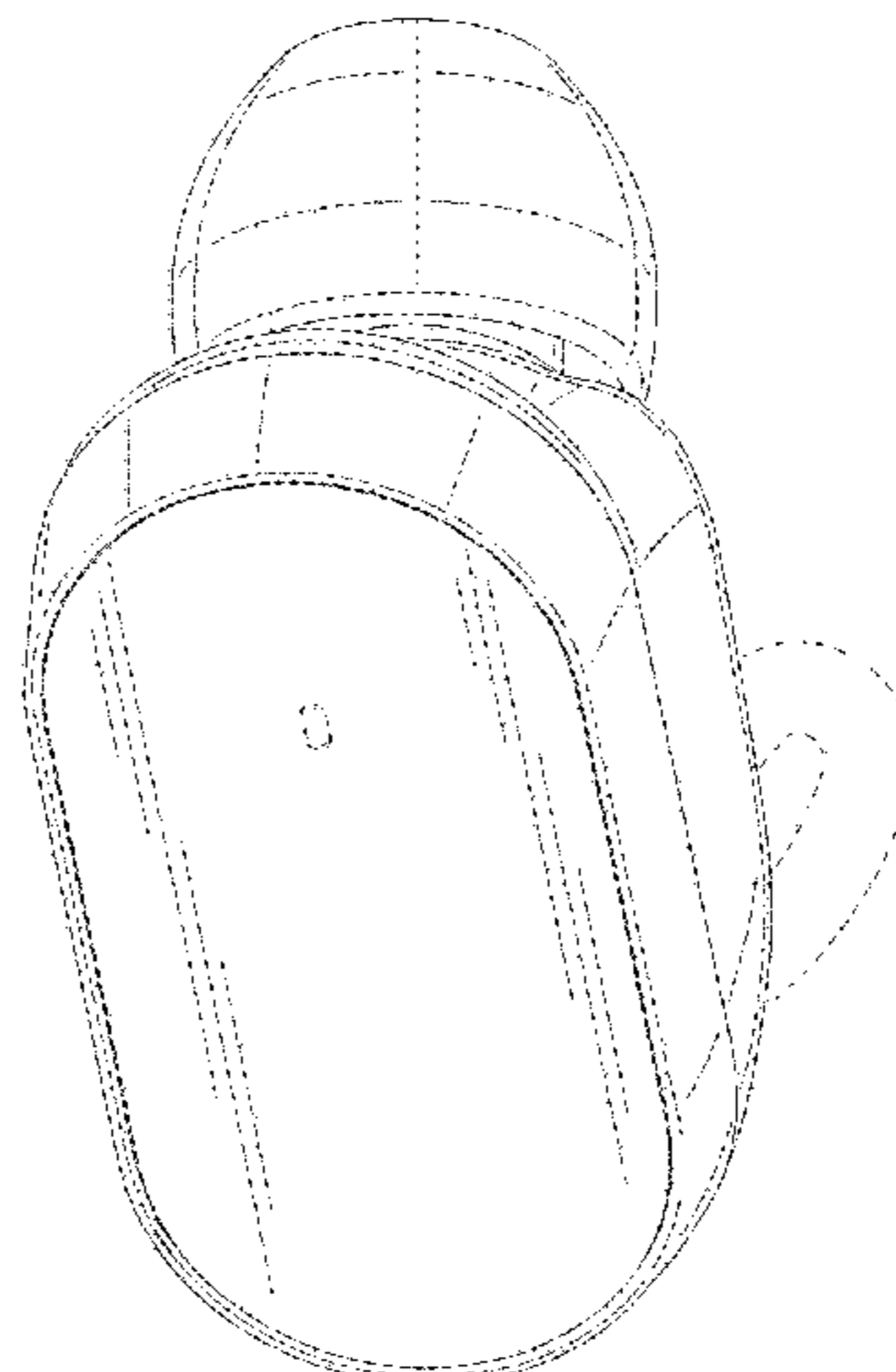
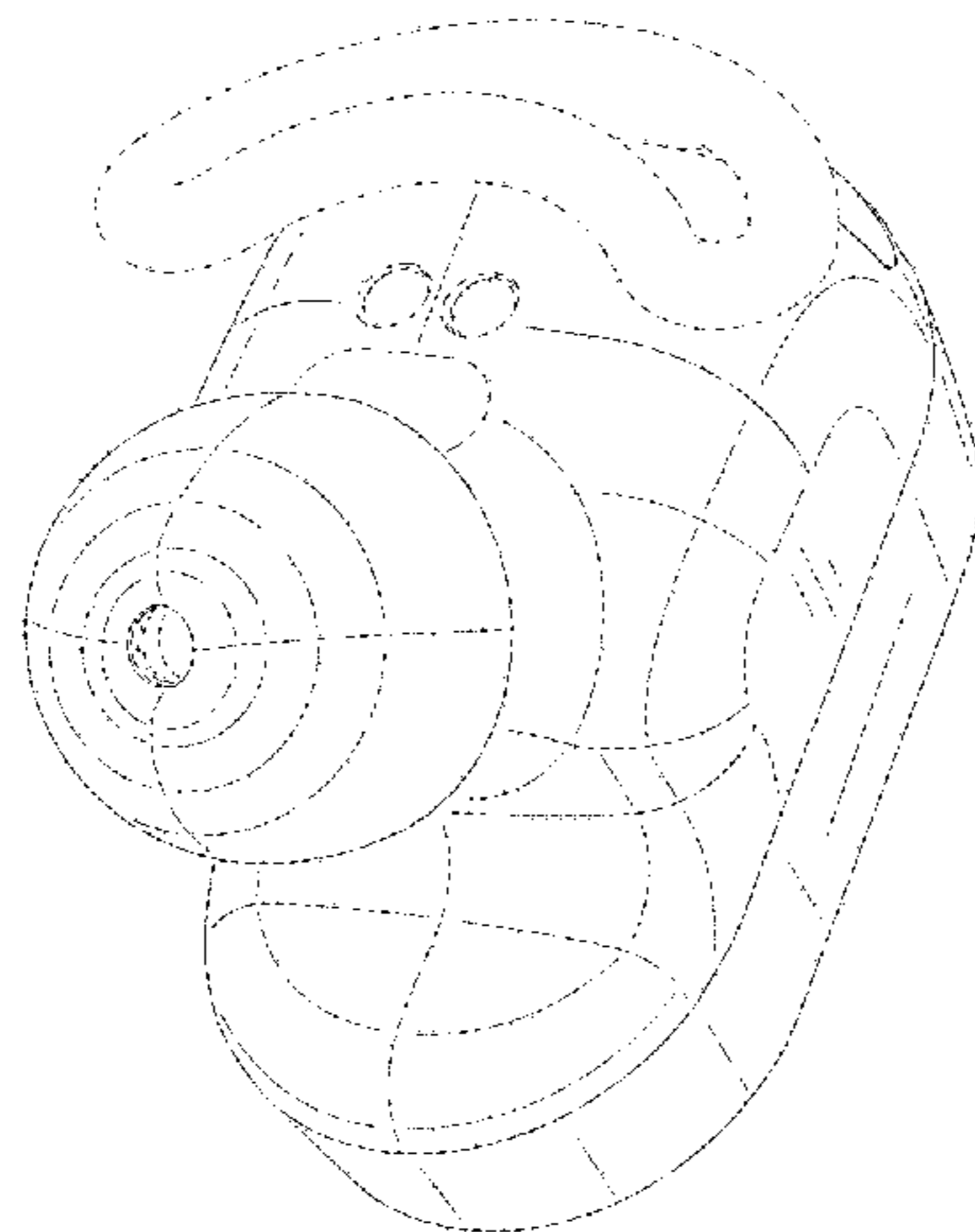
FIG. 14 is a right side elevational view thereof;

FIG. 15 is a top plan view thereof; and

FIG. 16 is a bottom plan view thereof.

The broken lines depict environment that forms no part of
the claimed design.

1 Claim, 8 Drawing Sheets



(56)

References Cited

U.S. PATENT DOCUMENTS

D259,951 S * 7/1981 Briedert D23/376
 4,539,708 A * 9/1985 Norris H04B 1/088
 455/100
 6,104,819 A * 8/2000 Nickum H04R 1/1041
 381/123
 D457,513 S * 5/2002 Pirelli D14/223
 D481,709 S * 11/2003 Solderits D14/223
 D501,848 S * 2/2005 Uehara D14/240
 D511,768 S * 11/2005 Naito D14/205
 D512,049 S * 11/2005 Yang D14/205
 7,079,664 B2 * 7/2006 Nassimi H04R 25/558
 381/328
 7,120,267 B2 * 10/2006 Ito H04M 1/05
 381/370
 D559,837 S * 1/2008 Nakano D14/223
 7,356,362 B2 * 4/2008 Chang H04R 1/1033
 379/430
 D575,277 S * 8/2008 Gaarde D14/205
 D581,396 S * 11/2008 Wikel D14/206
 D588,113 S * 3/2009 Bradford D14/223
 D597,084 S * 7/2009 Gondo D14/223
 D603,378 S * 11/2009 Paradise D14/223
 D603,380 S * 11/2009 Hutchieson D14/223
 D615,940 S * 5/2010 Kim D14/138 AA
 D626,125 S * 10/2010 Kang D14/240
 D628,548 S * 12/2010 Park D14/138 G
 D631,470 S * 1/2011 Yoneyama D14/223
 7,905,111 B2 * 3/2011 Saltz A44C 5/0023
 604/289
 D640,242 S * 6/2011 Fahrenedorff D14/223
 D641,343 S * 7/2011 Kim D14/240
 D643,420 S * 8/2011 Huang D14/223
 D643,428 S * 8/2011 Janky D14/240
 D644,204 S * 8/2011 Poandl D14/215
 D649,957 S * 12/2011 Fahrenedorff D14/223
 8,116,501 B2 * 2/2012 Kusuda H04M 1/05
 381/374
 D655,721 S * 3/2012 Andre D14/203.3
 D656,490 S * 3/2012 Birger D14/223
 D660,292 S * 5/2012 Rautiainen D14/223
 D687,010 S * 7/2013 McManigal D14/188

D687,023 S * 7/2013 Jung D14/242
 D693,795 S * 11/2013 Paradise D14/223
 D693,796 S * 11/2013 Birger D14/223
 D707,659 S * 6/2014 Henning D14/223
 D713,421 S * 9/2014 Kaneta D14/496
 D721,737 S * 1/2015 Ahn D14/240
 D724,044 S * 3/2015 Reivo D14/138 G
 D725,082 S * 3/2015 Palmborg D14/223
 D725,088 S * 3/2015 Kwak D14/240
 D725,104 S * 3/2015 Olsson D14/372
 8,977,205 B2 * 3/2015 Tricoukes H04R 1/1008
 345/8
 8,983,108 B2 * 3/2015 Ho H04R 1/1058
 181/135
 D733,103 S * 6/2015 Jeong D14/224
 D741,857 S * 10/2015 Yong D14/205
 D743,861 S * 11/2015 Hodges D12/181
 D743,949 S * 11/2015 Miyake D14/223
 D764,445 S * 8/2016 Czaniecki D14/223
 D768,598 S * 10/2016 Skelton D14/203.1
 D777,139 S * 1/2017 Fletcher D14/205
 D777,710 S * 1/2017 Palmborg D14/223
 D778,256 S * 2/2017 Jung D14/205
 D779,462 S * 2/2017 Birger D14/223
 D781,272 S * 3/2017 Virhia D14/240
 D788,079 S * 5/2017 Son D14/223
 2004/0186727 A1 * 9/2004 Andrade H04R 1/083
 704/275
 2007/0041702 A1 * 2/2007 Hwang G01J 1/02
 385/147
 2007/0211579 A1 * 9/2007 Yoshimura H04R 5/04
 369/7
 2009/0214071 A1 * 8/2009 Axelsson H04R 1/1016
 381/380
 2012/0300962 A1 * 11/2012 Devoto H04R 5/02
 381/300
 2014/0146979 A1 * 5/2014 Puskarich H04R 5/033
 381/74
 2014/0205125 A1 * 7/2014 Triato H04R 1/105
 381/330
 2015/0245120 A1 * 8/2015 Li H04R 1/02
 381/334
 2017/0026738 A1 * 1/2017 Tang H04R 1/1016

* cited by examiner

FIG.2

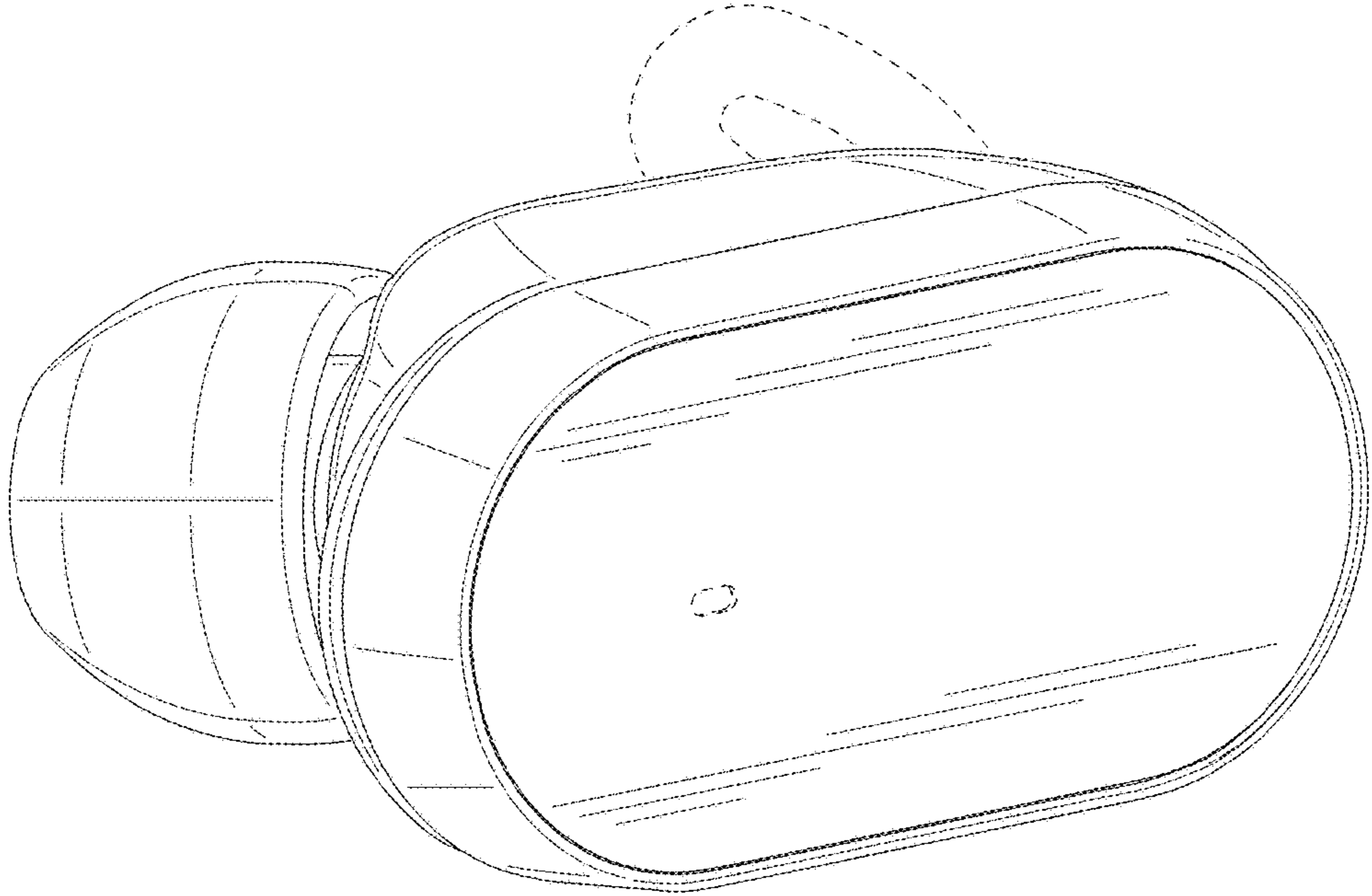


FIG.1

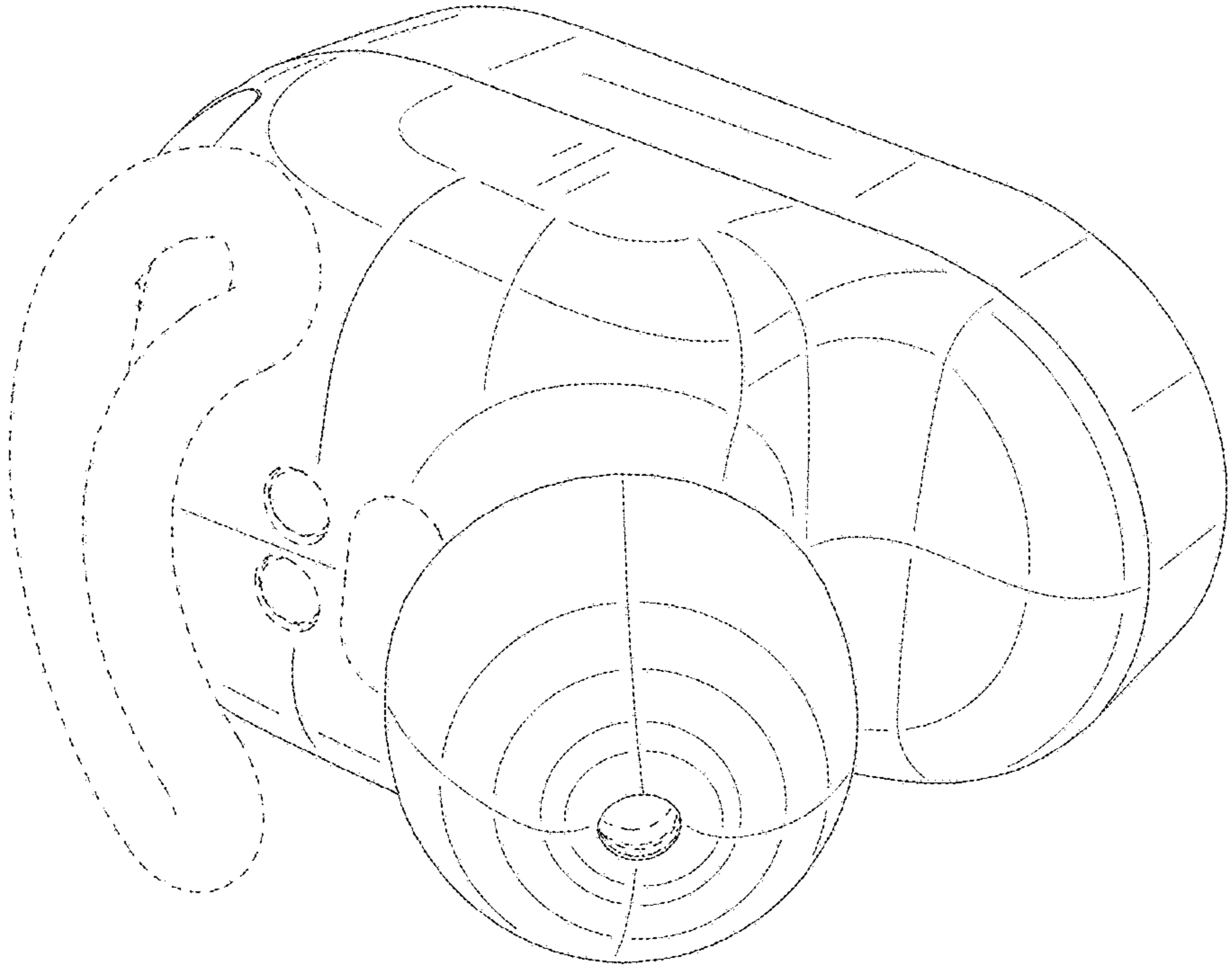


FIG.3

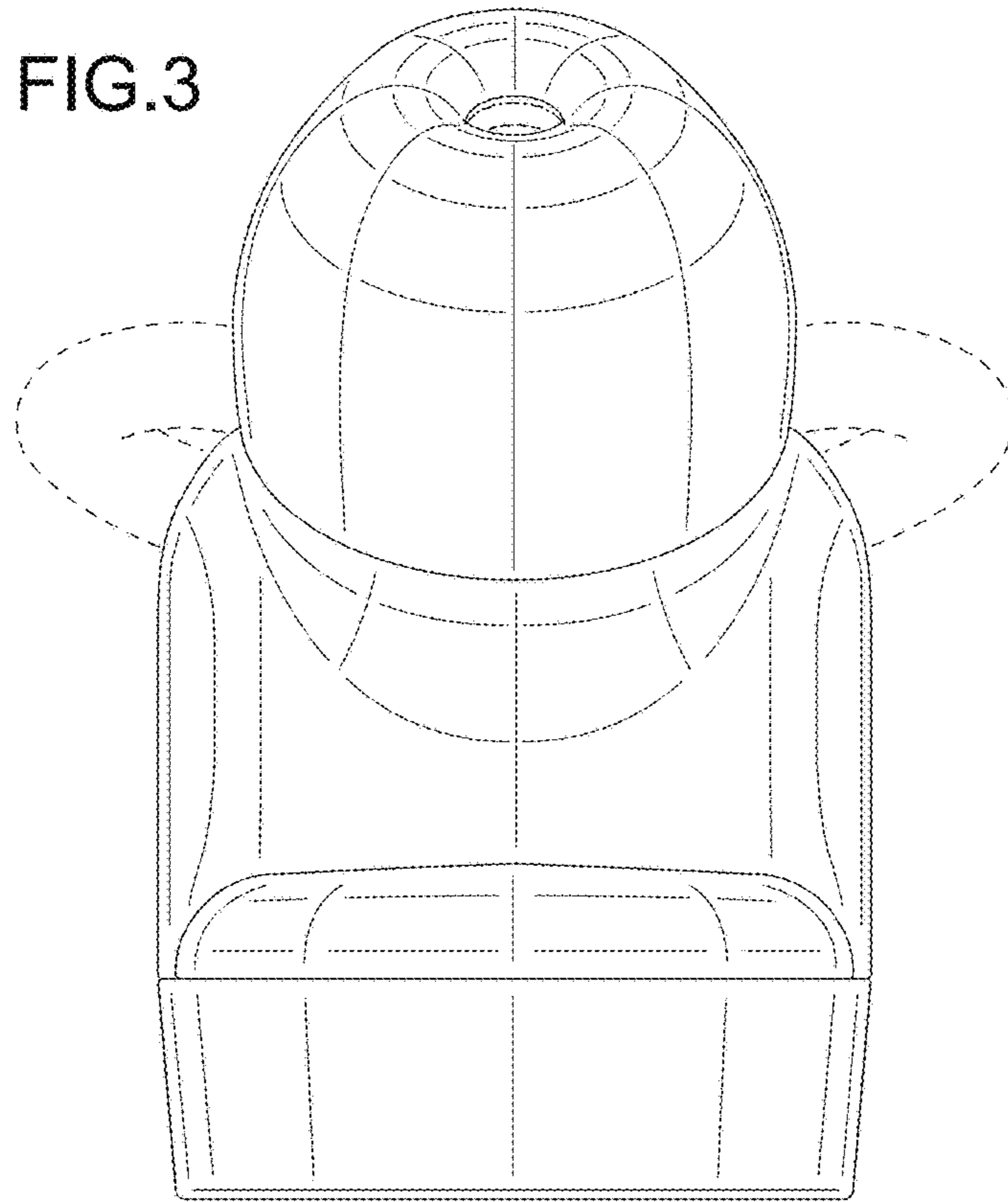


FIG.4

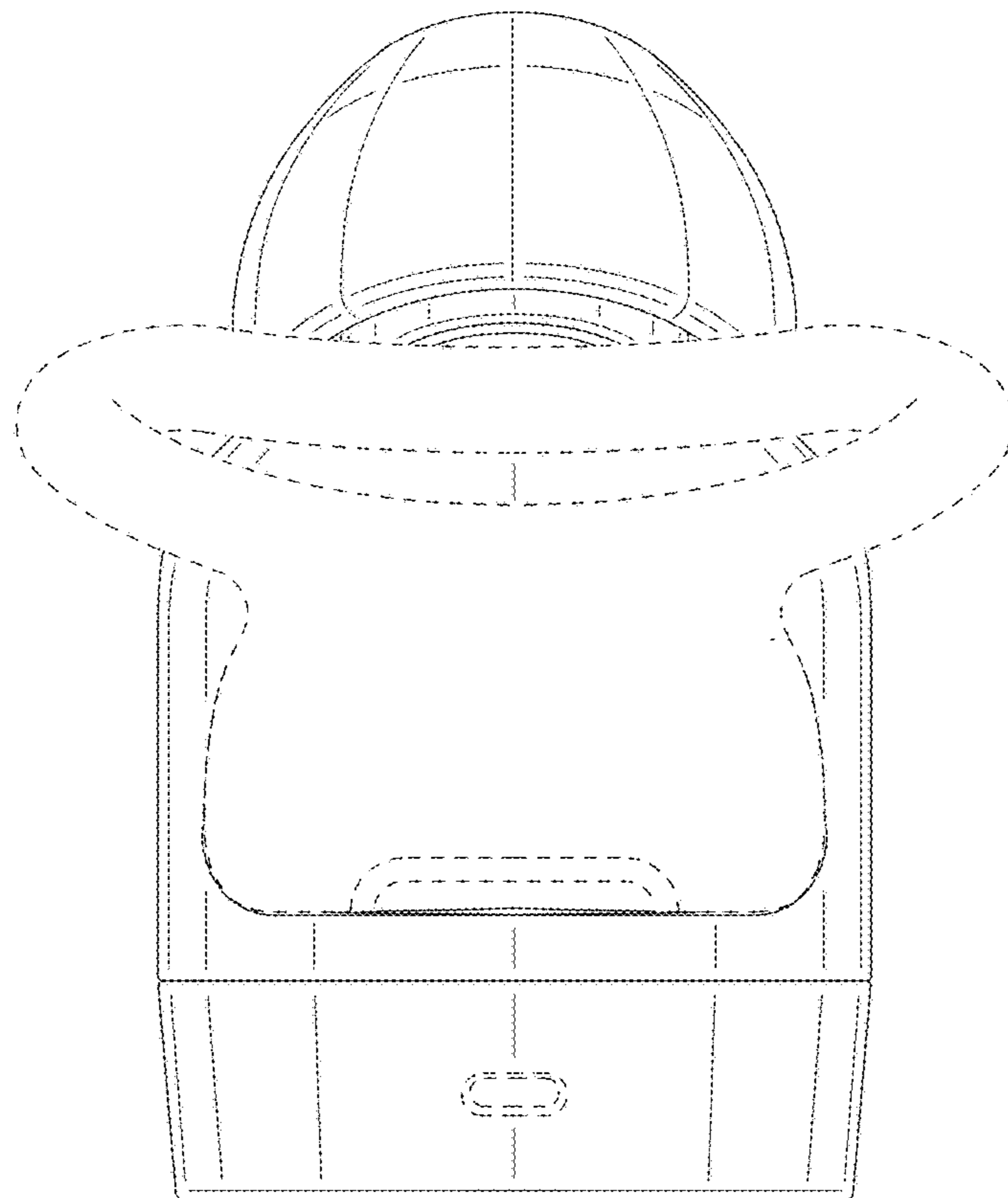


FIG.5

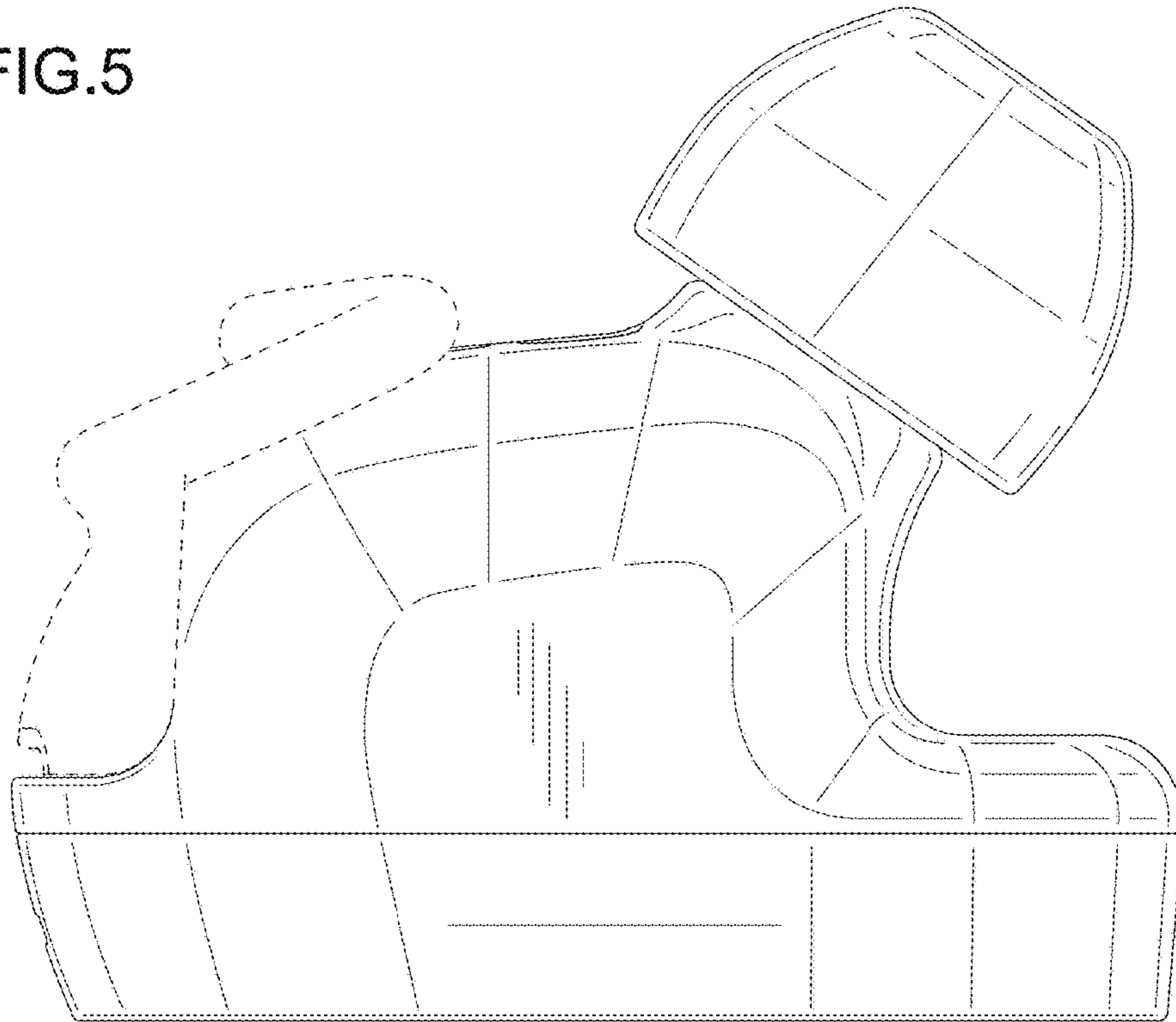


FIG.6

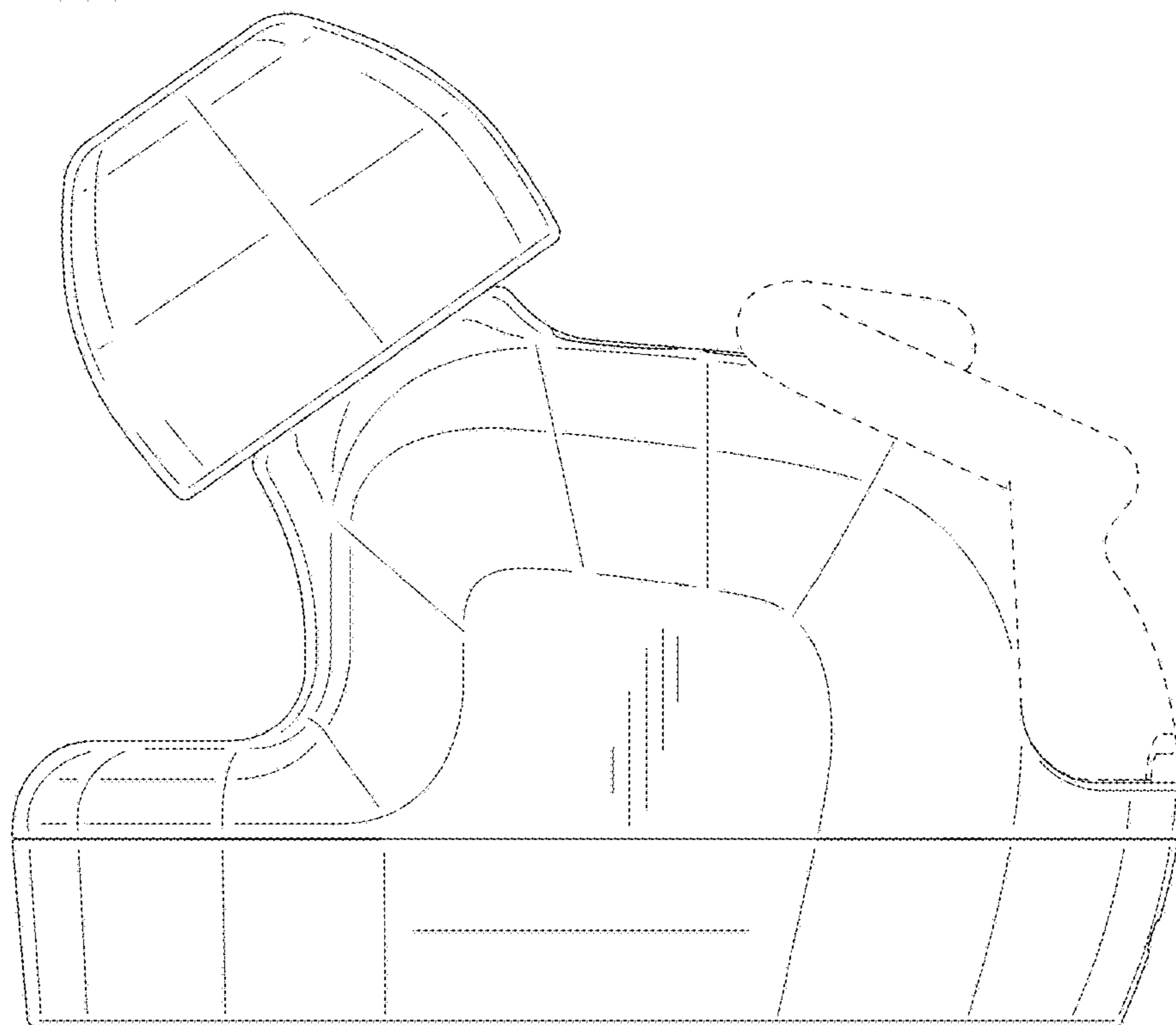


FIG.7

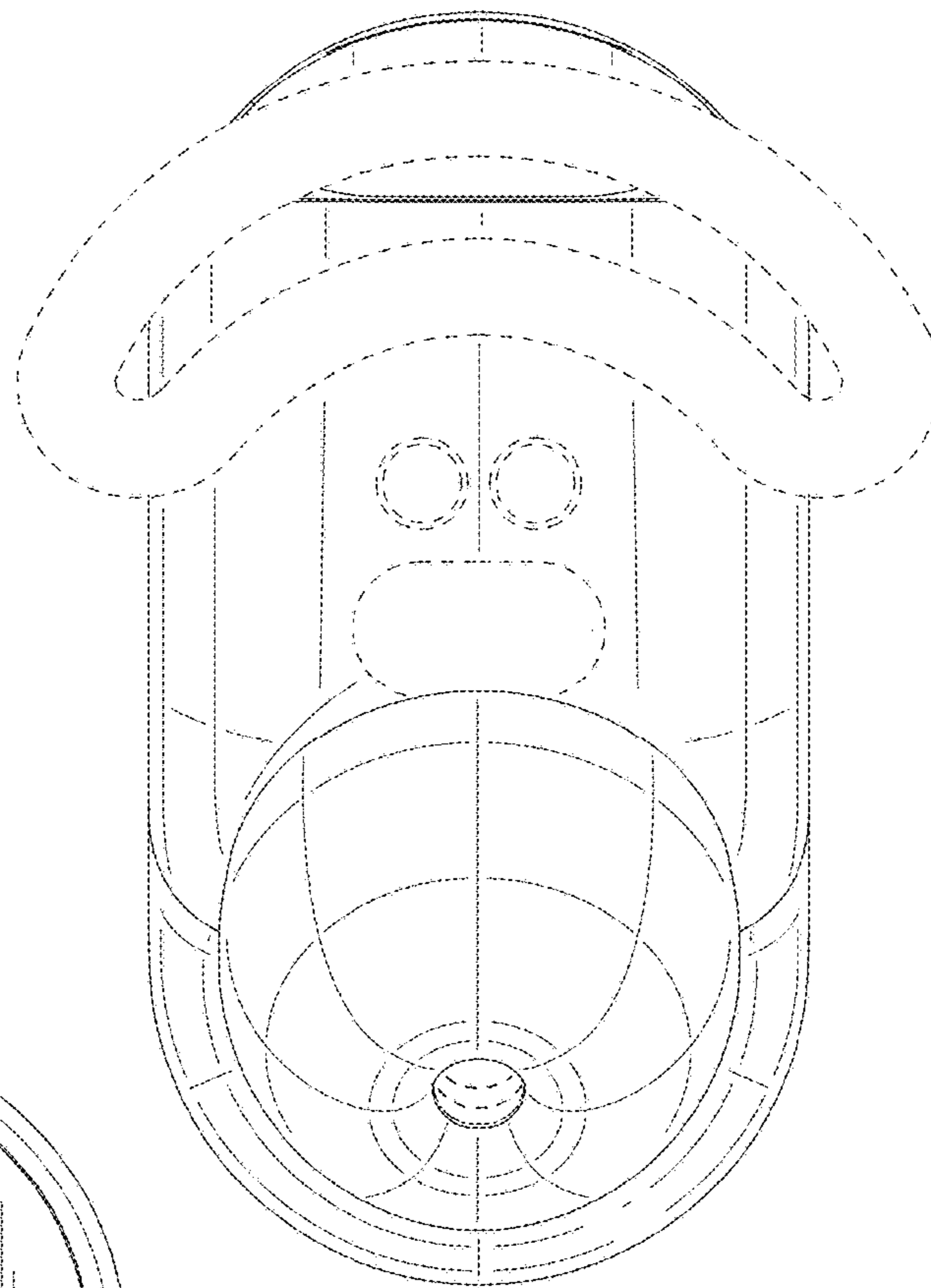


FIG.8

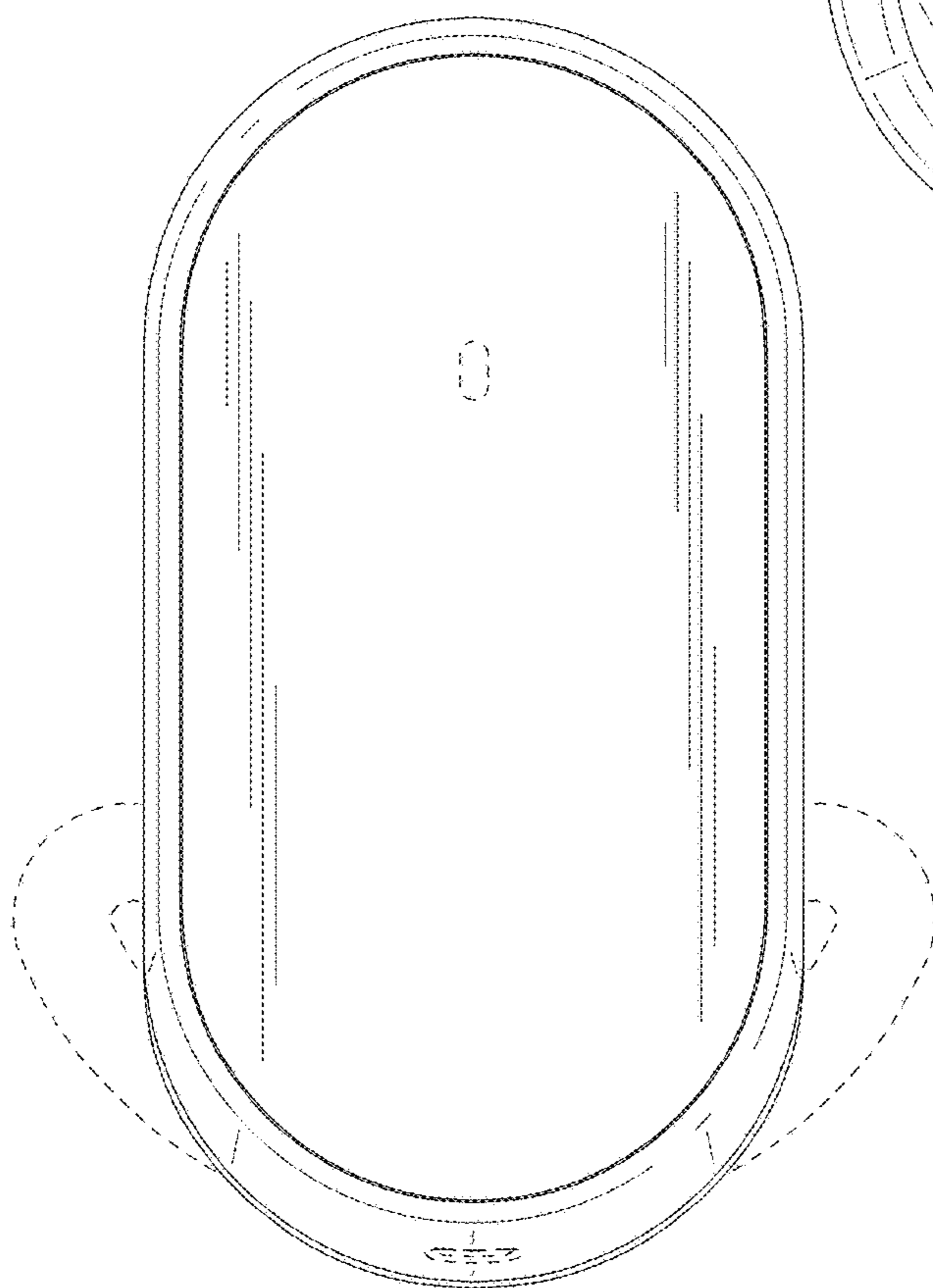


FIG.10

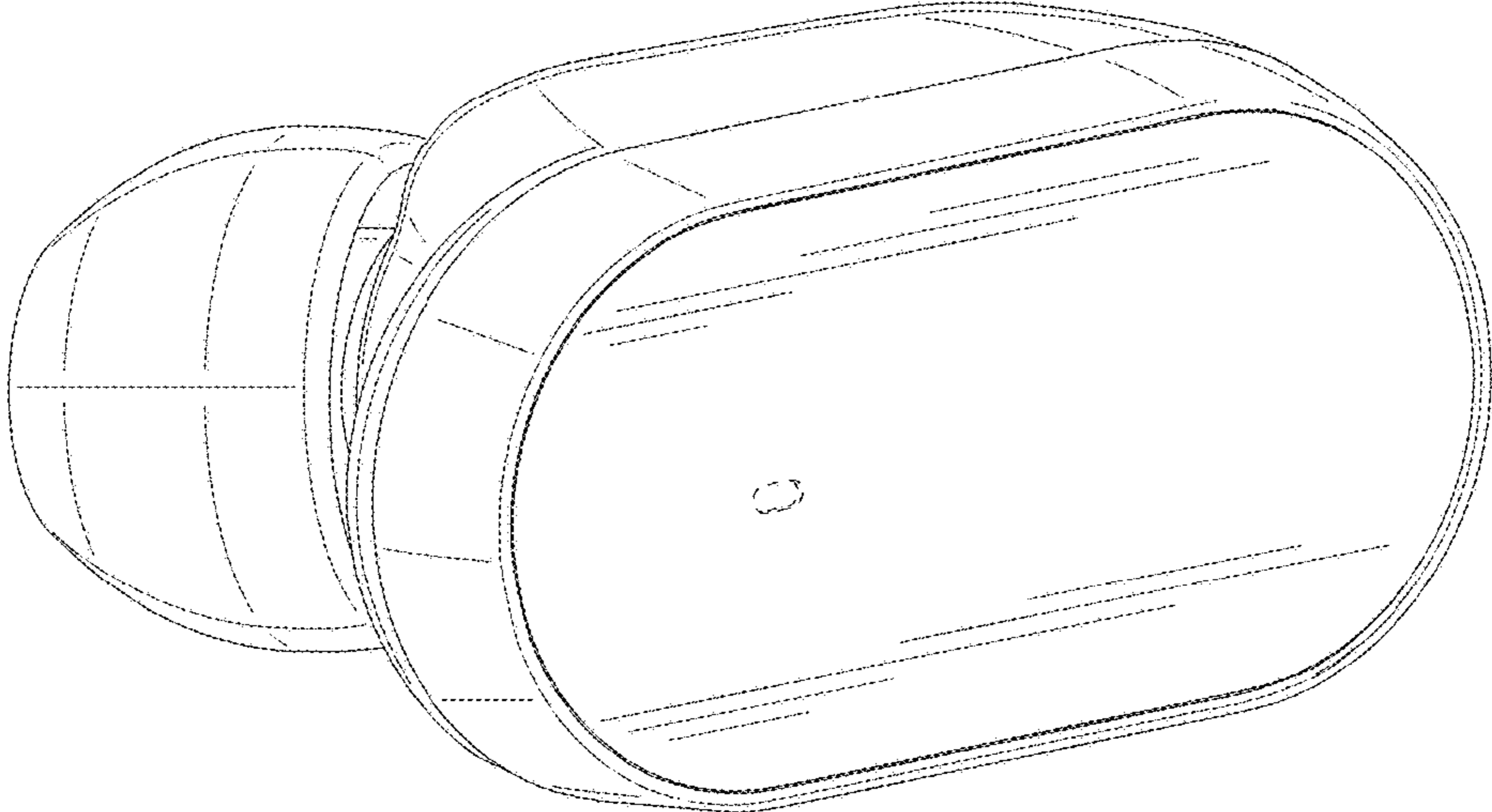


FIG.9

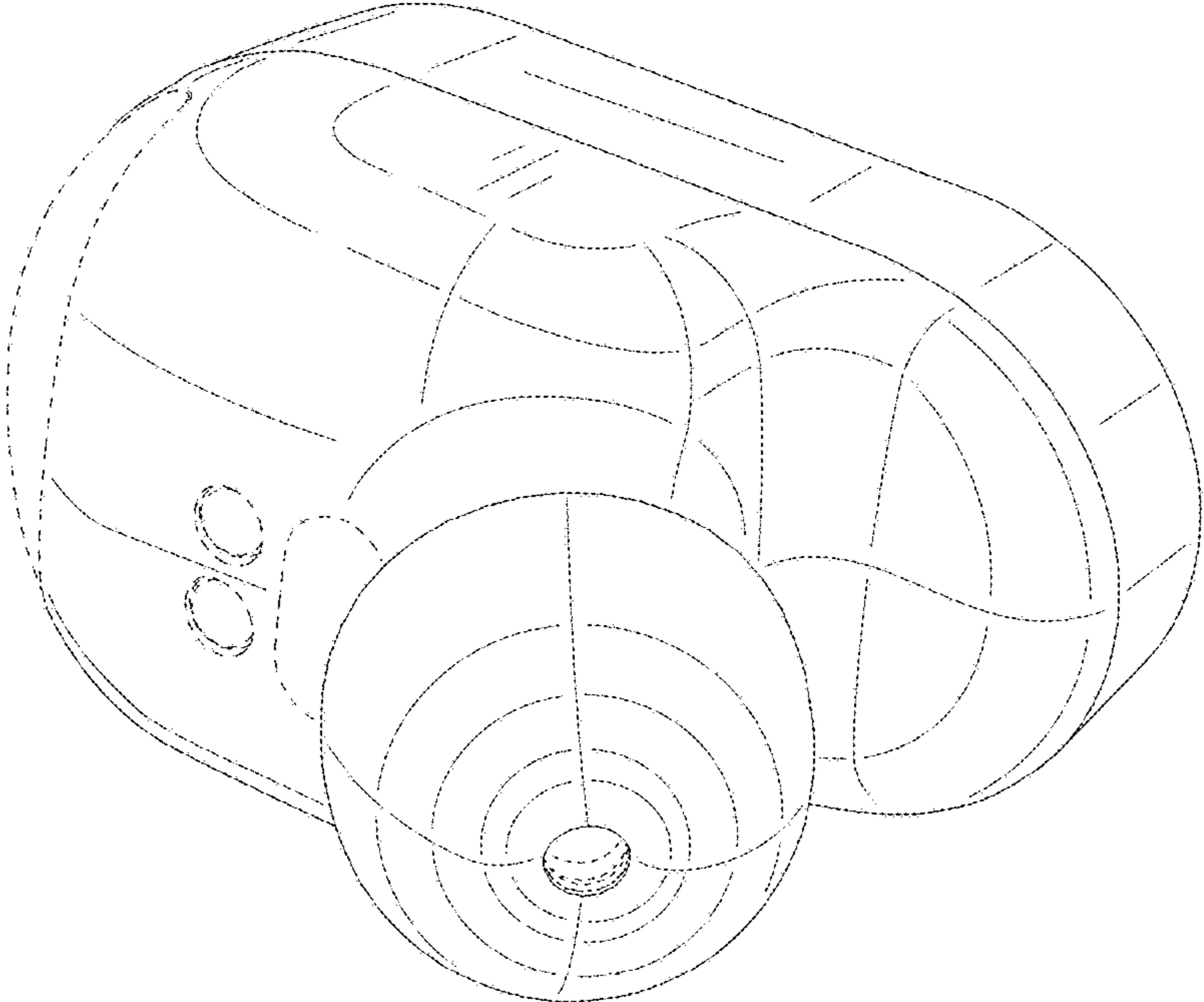


FIG.11

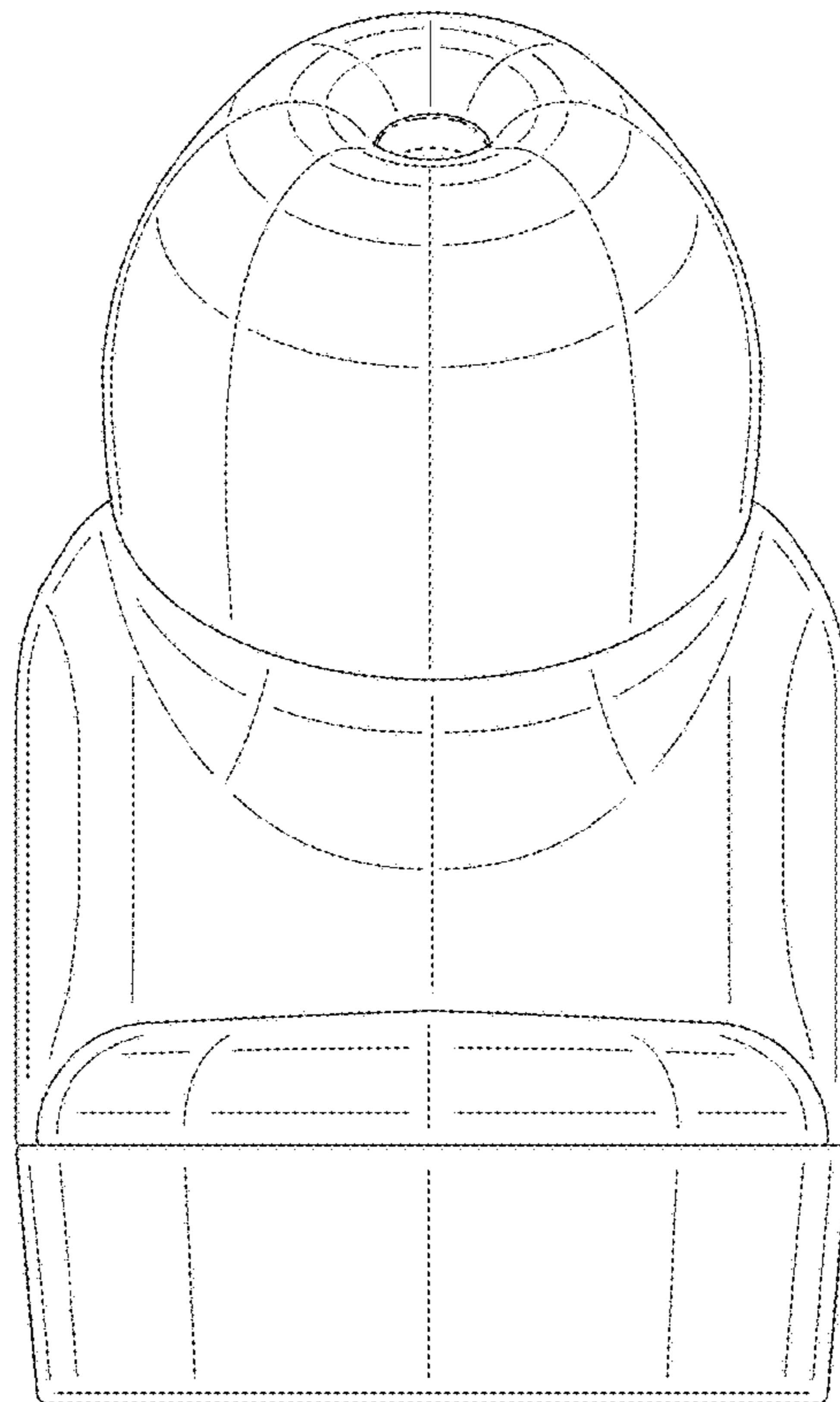


FIG.12

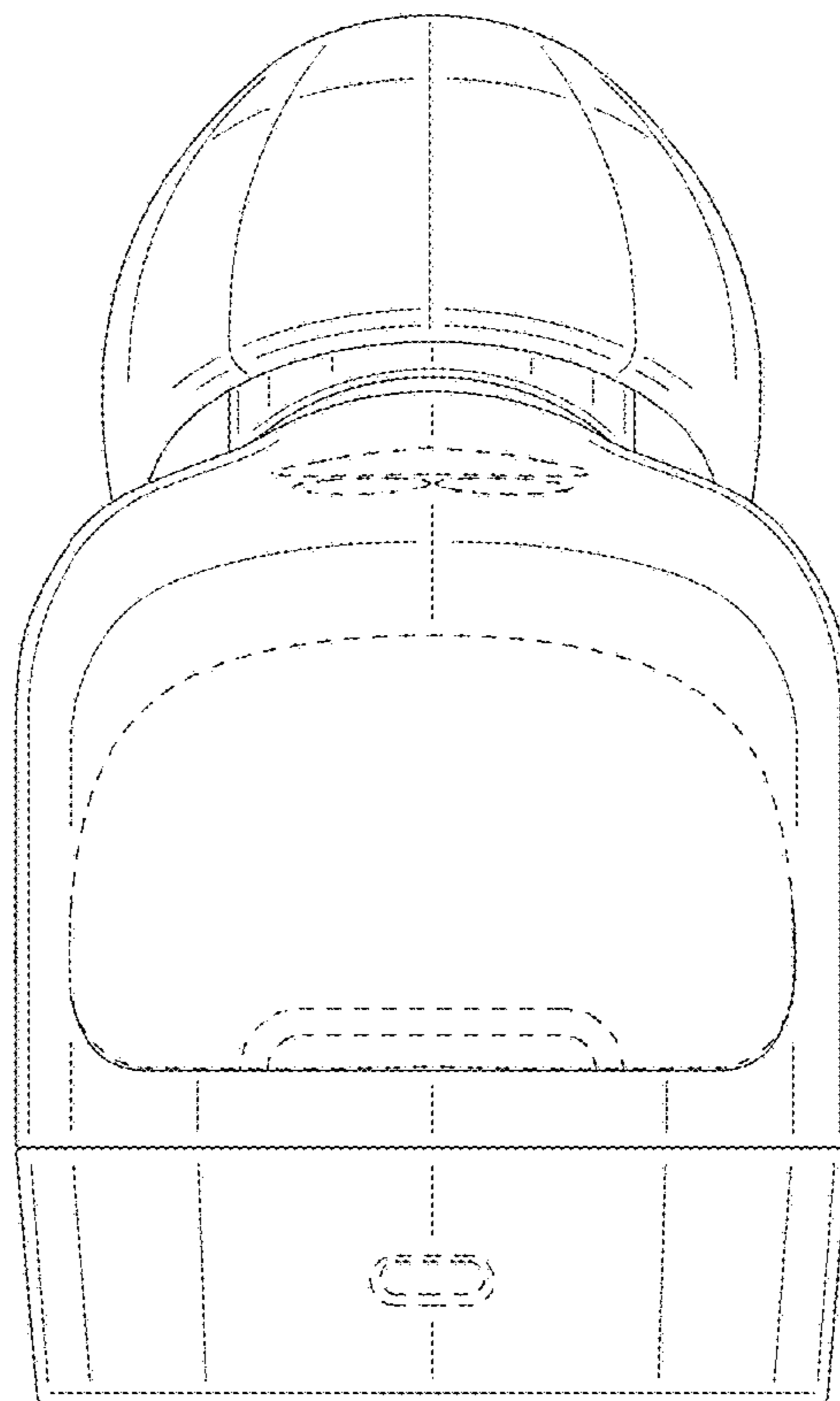


FIG.13

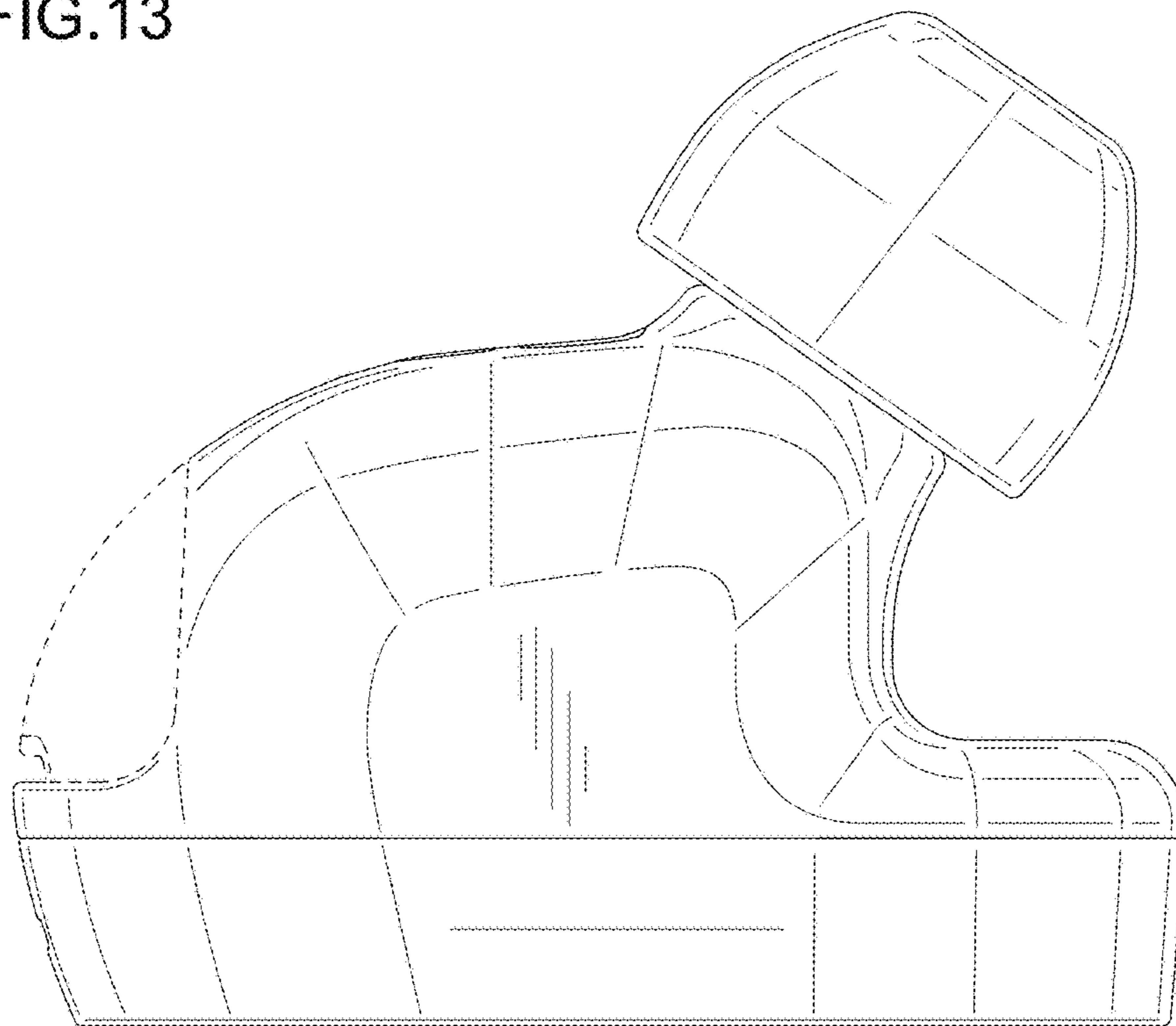


FIG.14

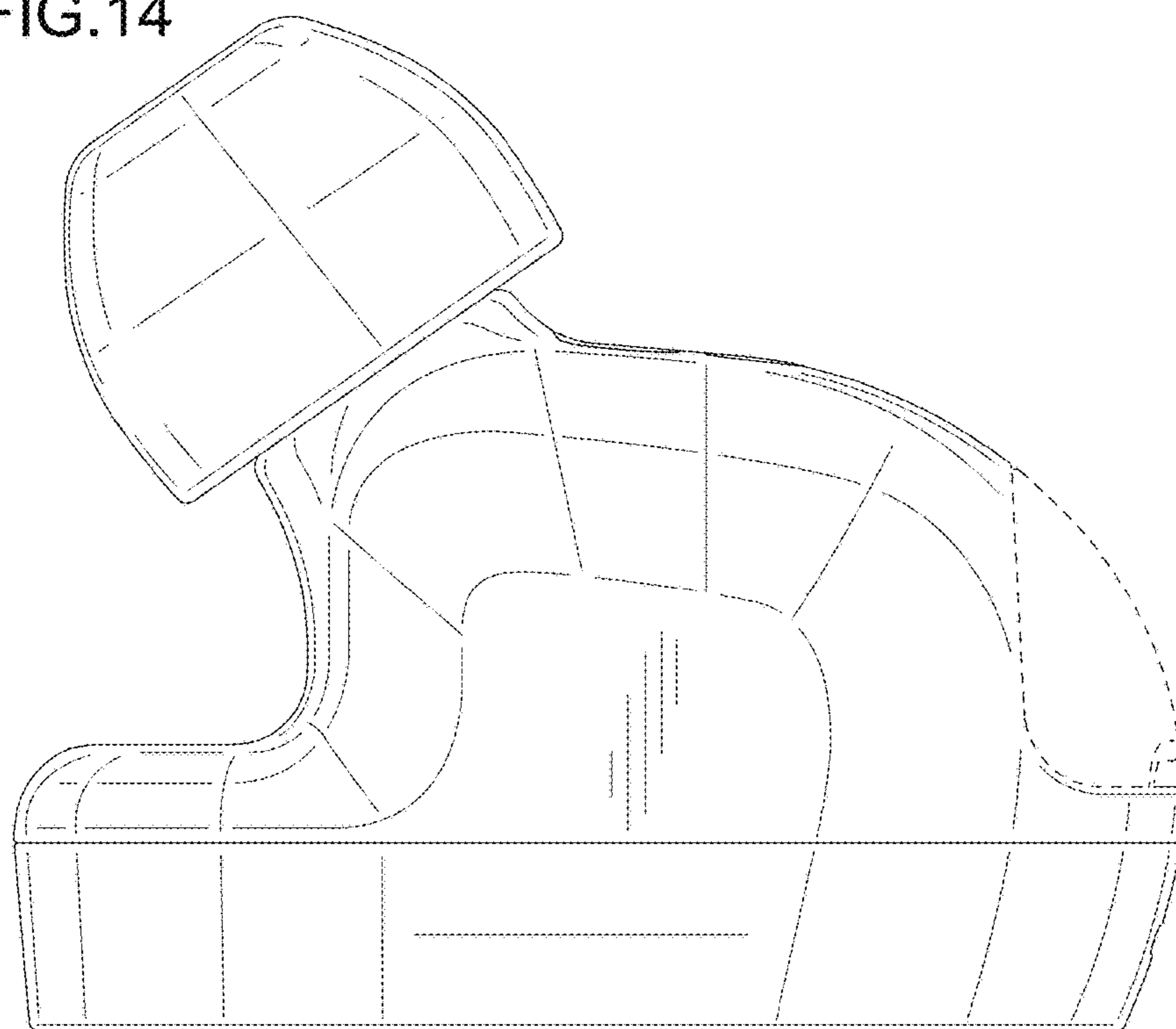


FIG.15

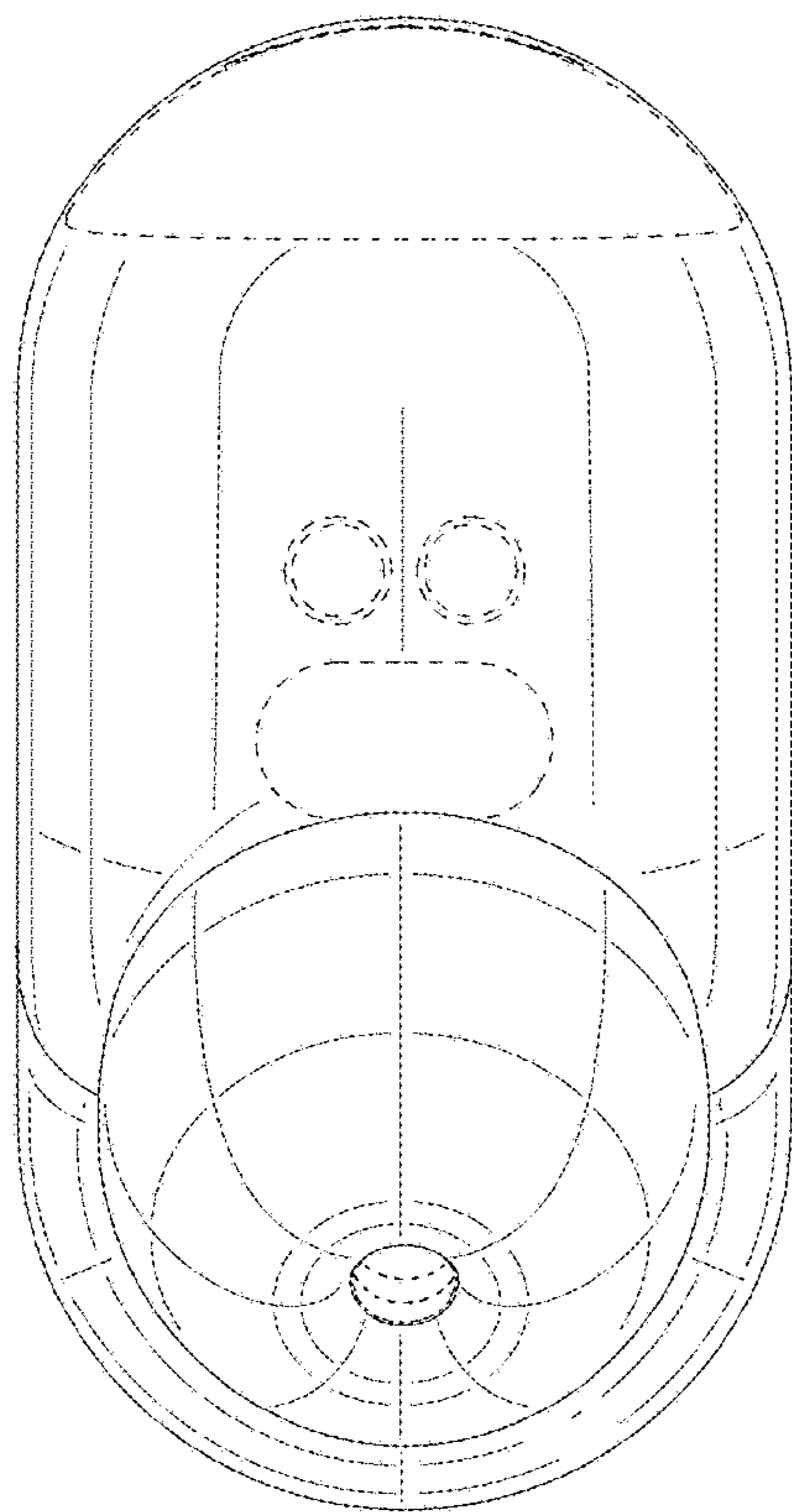


FIG.16

