



US00D801947S

(12) **United States Design Patent** (10) **Patent No.:** **US D801,947 S**
Gordon et al. (45) **Date of Patent:** **** Nov. 7, 2017**

(54) **PHONE**
(71) Applicant: **Google Inc.**, Mountain View, CA (US)
(72) Inventors: **Rachael Elizabeth Gordon**, San Francisco, CA (US); **Alberto Villarreal Bello**, San Jose, CA (US); **Robert Edward Mangum**, San Mateo, CA (US); **Max Ken Yoshimoto**, Sunnyvale, CA (US); **Yen Hung Lin**, Taoyuan (TW); **Yi Hsin Lin**, New Taipei (TW)

(73) Assignee: **Google Inc.**, Mountain View, CA (US)

(**) Term: **15 Years**

(21) Appl. No.: **29/580,199**

(22) Filed: **Oct. 6, 2016**

(51) **LOC (10) Cl.** **14-03**

(52) **U.S. Cl.**
USPC **D14/138 G**

(58) **Field of Classification Search**
USPC D14/138 AA, 138 AC, 138 AD, 138 C, D14/138 G, 248, 203.3, 203.7, 341
CPC ... G06F 1/1626; H04M 1/027; H04M 1/0202; H04M 1/0279; H04M 1/0235; H04M 1/0237; H04M 1/0239; H04M 1/0266; H04M 1/0268; H04M 1/0295
See application file for complete search history.

(56) **References Cited**

U.S. PATENT DOCUMENTS

D681,599 S * 5/2013 Kim D14/138 G
D688,222 S * 8/2013 Fujimura D14/138 G
D693,785 S * 11/2013 Sutherland D14/138 G
D696,641 S * 12/2013 Cho D14/138 G
D709,472 S * 7/2014 Seo D14/138 G
D713,810 S * 9/2014 Boucquey D14/138 G
D720,713 S * 1/2015 Huang D14/138 G
D731,481 S * 6/2015 Akana D14/341

D742,351 S * 11/2015 Chen D14/138 G
D745,855 S * 12/2015 Chu D14/138 G
D747,286 S * 1/2016 Kim D14/138 G
D752,005 S * 3/2016 Dhondt D14/138 G
D756,323 S * 5/2016 Seo D14/138 G
D759,008 S * 6/2016 Akana D14/341
D762,640 S * 8/2016 Yamazaki D14/341

(Continued)

OTHER PUBLICATIONS

Google Pixel pictures, official photos, Oct. 2016, [online], [site visited Feb. 2, 2017]. Retrieved from <url:http://www.gsmarena.com/google_pixel-pictures-8346.php>.*

(Continued)

Primary Examiner — Susan E Krakower

Assistant Examiner — Tracey J Bell

(74) *Attorney, Agent, or Firm* — Finnegan, Henderson, Farabow, Garrett & Dunner LLP

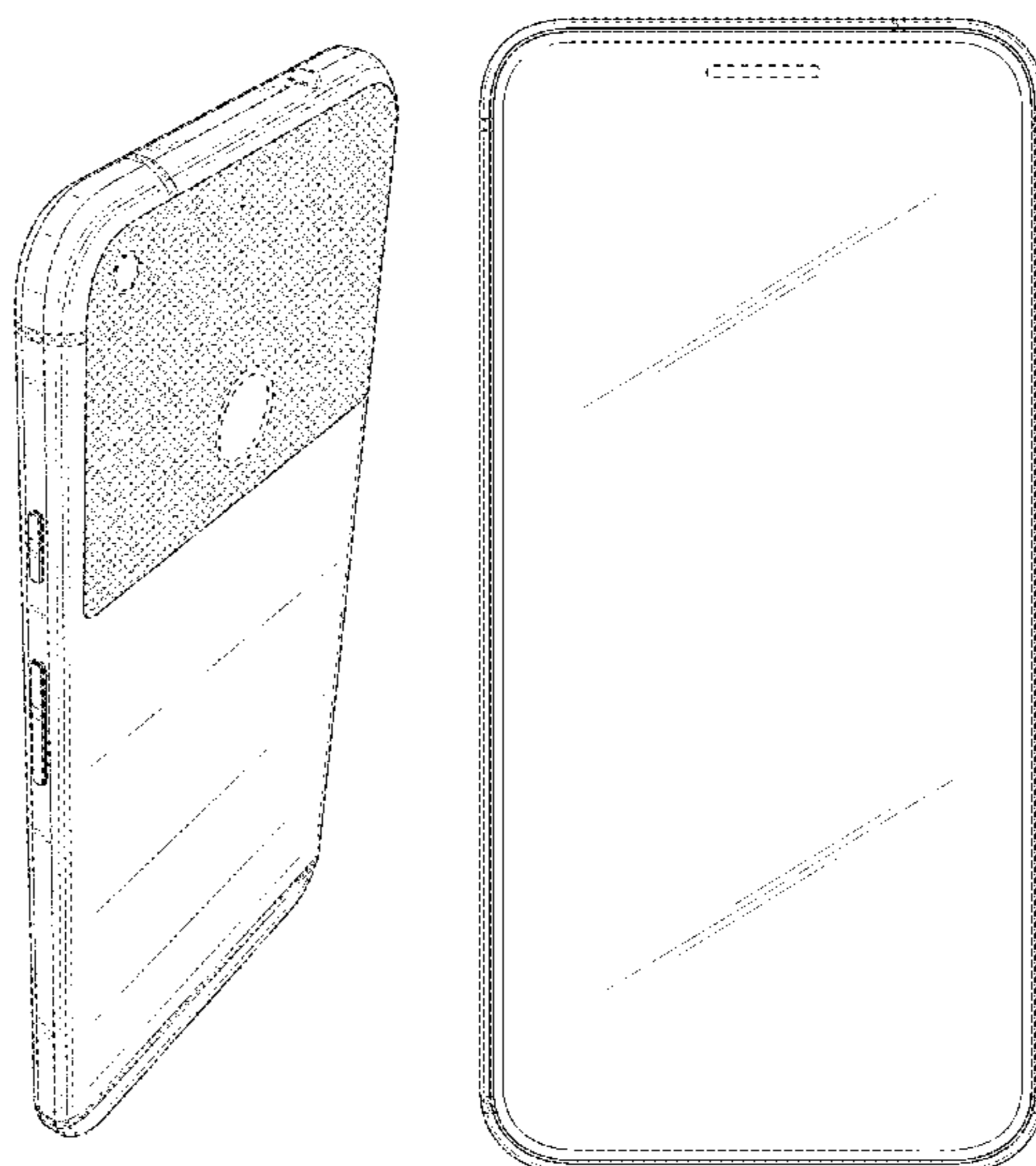
(57) **CLAIM**

The ornamental design for a phone, as shown and described.

DESCRIPTION

FIG. 1 is a front, bottom perspective view of a phone showing our new design;
FIG. 2 is a rear, top perspective view thereof;
FIG. 3 is a front elevation view thereof;
FIG. 4 is a rear elevation view thereof;
FIG. 5 is a left side view thereof;
FIG. 6 is a right side view thereof;
FIG. 7 is a top plan view thereof;
FIG. 8 is a bottom plan view thereof;
FIG. 9 is an enlarged front, left side perspective view; and, FIG. 10 is an enlarged front, bottom perspective view.
The broken lines of even length shown in the drawings illustrate portions of the phone that form no part of the claimed design.

1 Claim, 8 Drawing Sheets



(56)

References Cited

U.S. PATENT DOCUMENTS

D766,201 S * 9/2016 Zhang D14/138 G
D766,863 S * 9/2016 Huang D14/138 G
D767,524 S * 9/2016 Geng D14/138 G
D770,410 S * 11/2016 Yu D14/138 G
D775,097 S * 12/2016 Husgafvel D14/138 G
D777,129 S * 1/2017 Xu D14/138 G

OTHER PUBLICATIONS

LG Nexus 5X pictures, official photos, Oct. 2015, [online], [site visited Feb. 2, 2017]. Retrieved from <url:http://www.gsmarena.com/lg_nexus_5x-pictures-7556.php>.*

HTC U Play pictures, official photos, no date available, [online], [site visited Feb. 2, 2017]. Retrieved from <url:http://www.gsmarena.com/htc_u_play-pictures-8518.php>.*

HTC One A9s pictures, official photos, Nov. 2016, [online], [site visited Feb. 2, 2017]. Retrieved from <url:http://www.gsmarena.com/htc_one_a9s-pictures-8297.php>.*

Huawei Enjoy 6 pictures, official photos, Nov. 2016, [online], [site visited Feb. 2, 2017]. Retrieved from <url:http://www.gsmarena.com/huawei_enjoy_6-pictures-8402.php>.*

Google Pixel XL pictures, official photos, Oct. 2016, [online], [site visited Feb. 2, 2017]. Retrieved from <url:http://www.gsmarena.com/google_pixel_xl-pictures-8345.php>.*

Google Pixel and Pixel XL for Verizon Wireless, posted Oct. 3, 2016, by Evan Blass @evleaks, [online], [site visited Feb. 2, 2017]. Retrieved from <url:https://twitter.com/evleaks/status/783159323526623233>.*

* cited by examiner

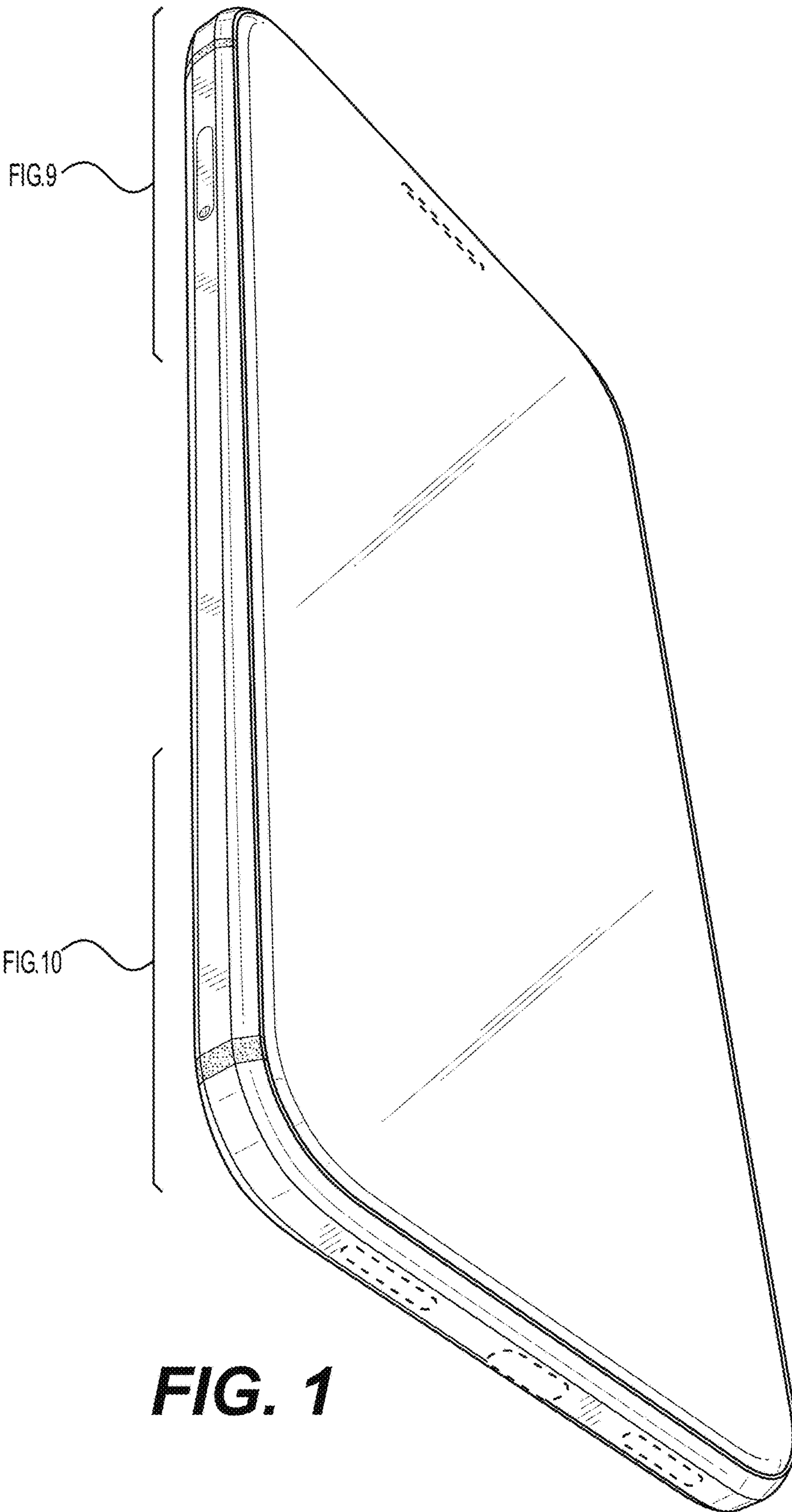


FIG. 1

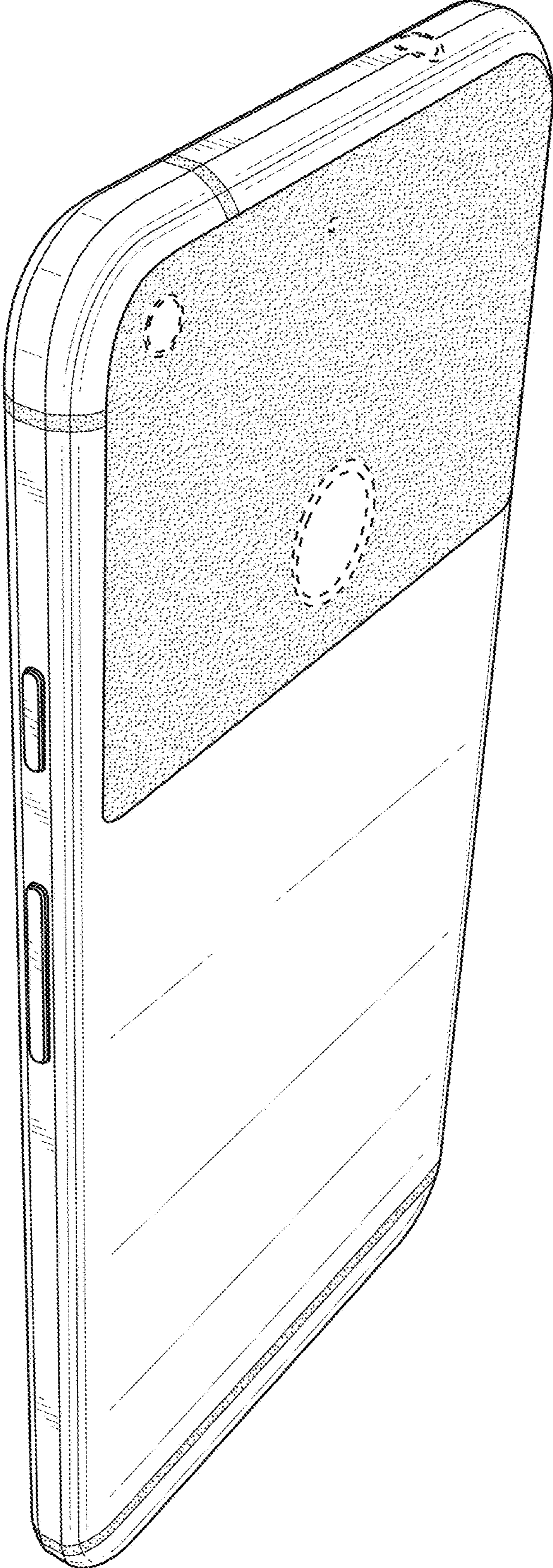


FIG. 2

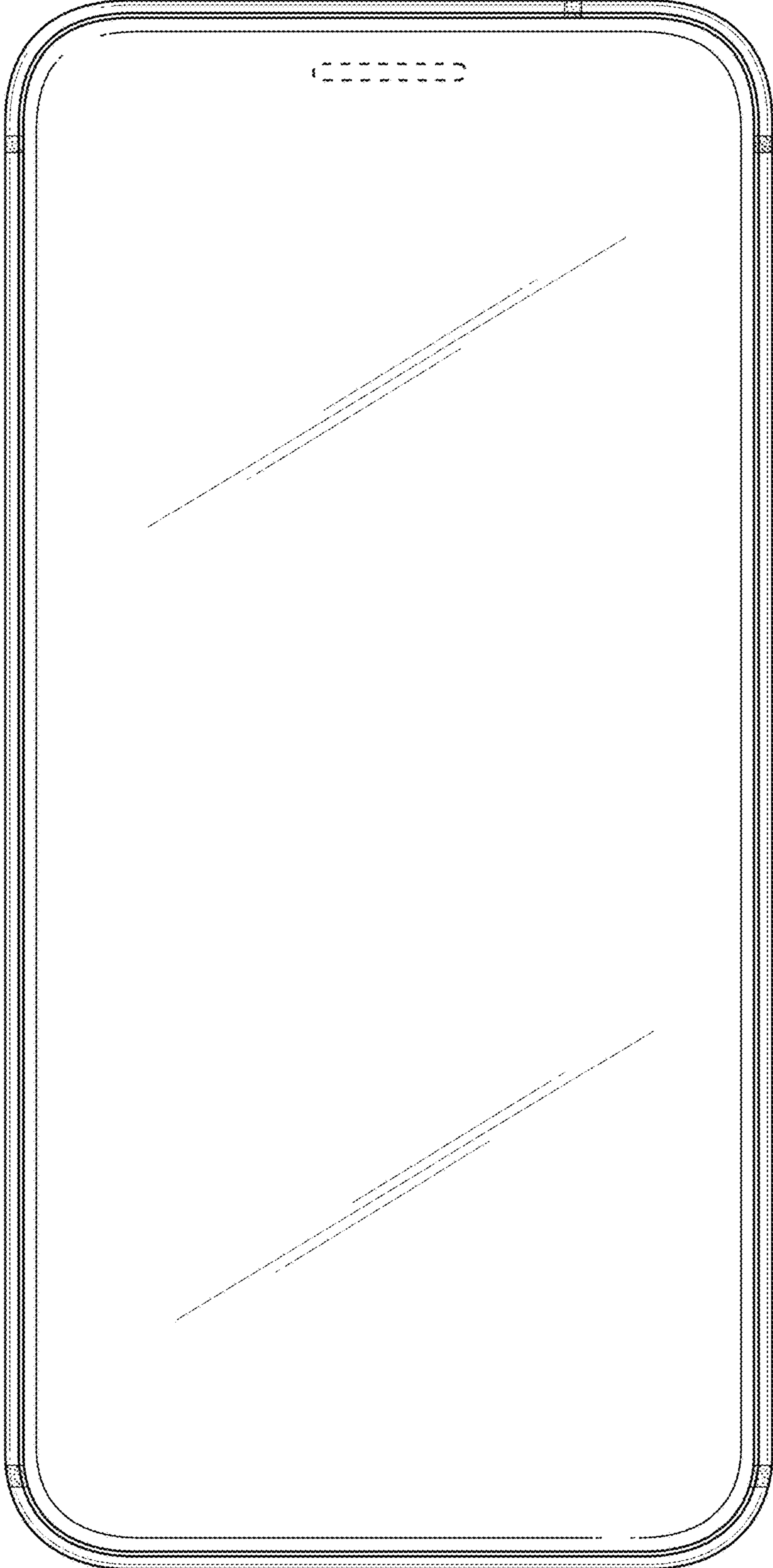


FIG. 3

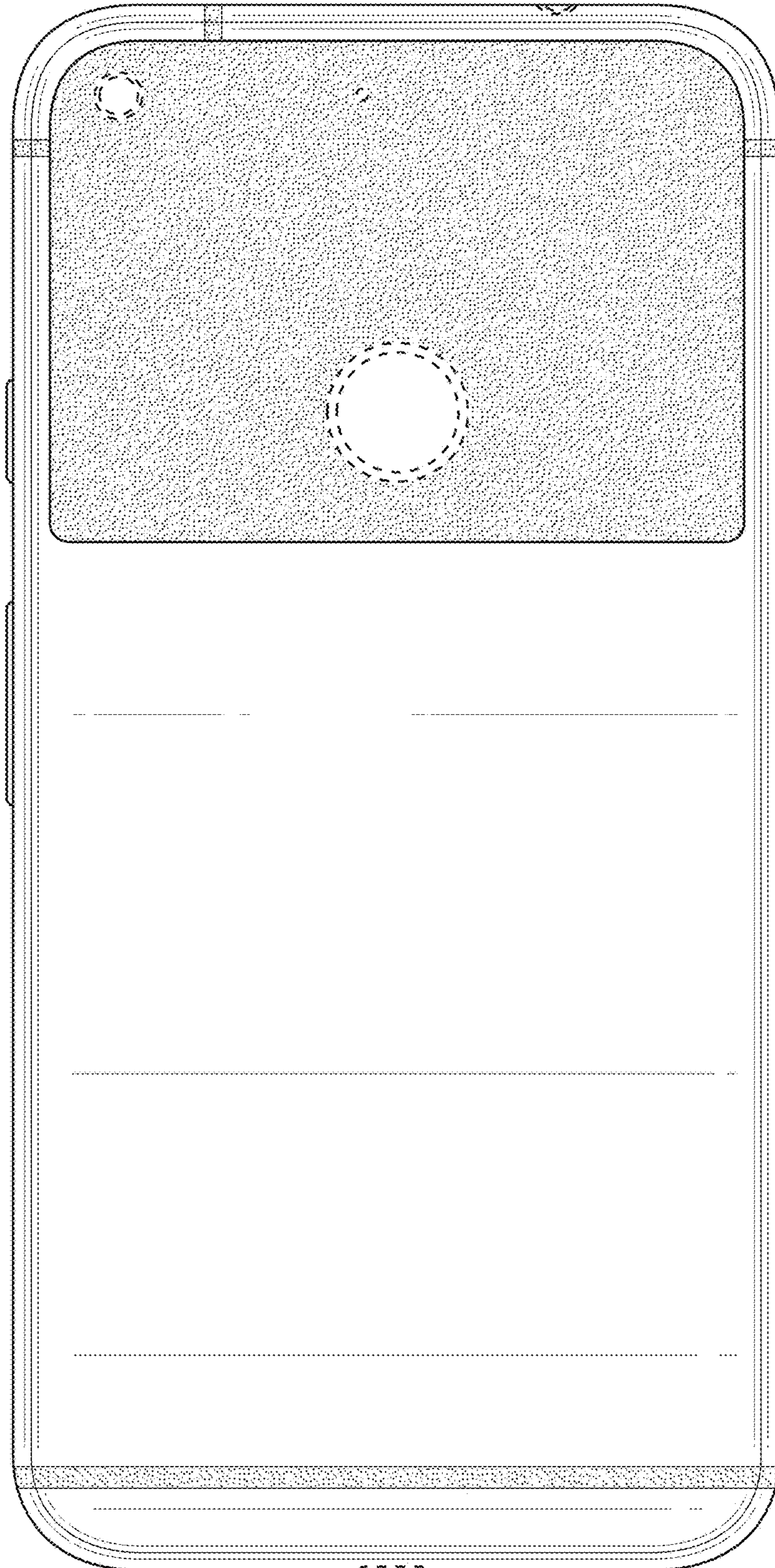


FIG. 4

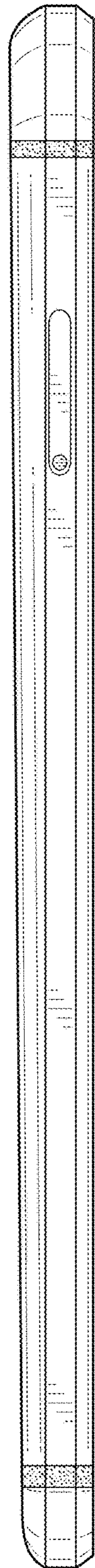


FIG. 5

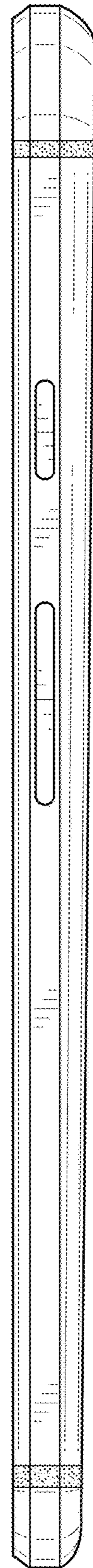


FIG. 6

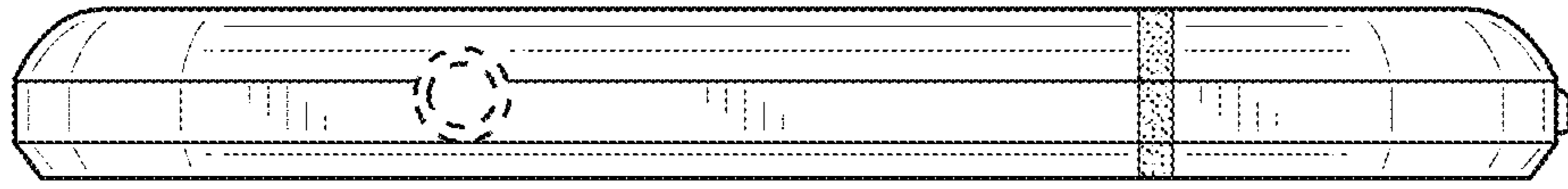


FIG. 7

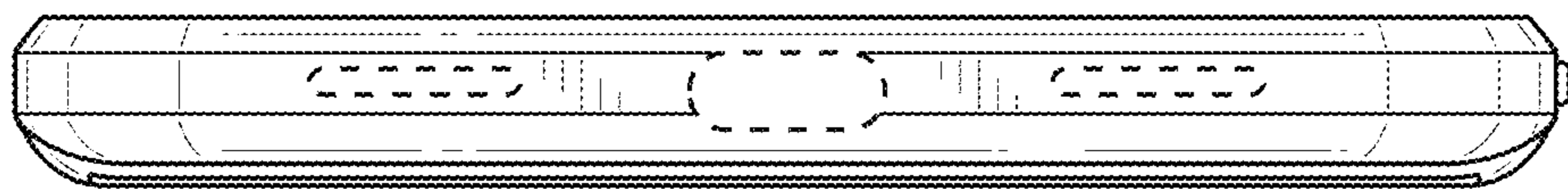


FIG. 8

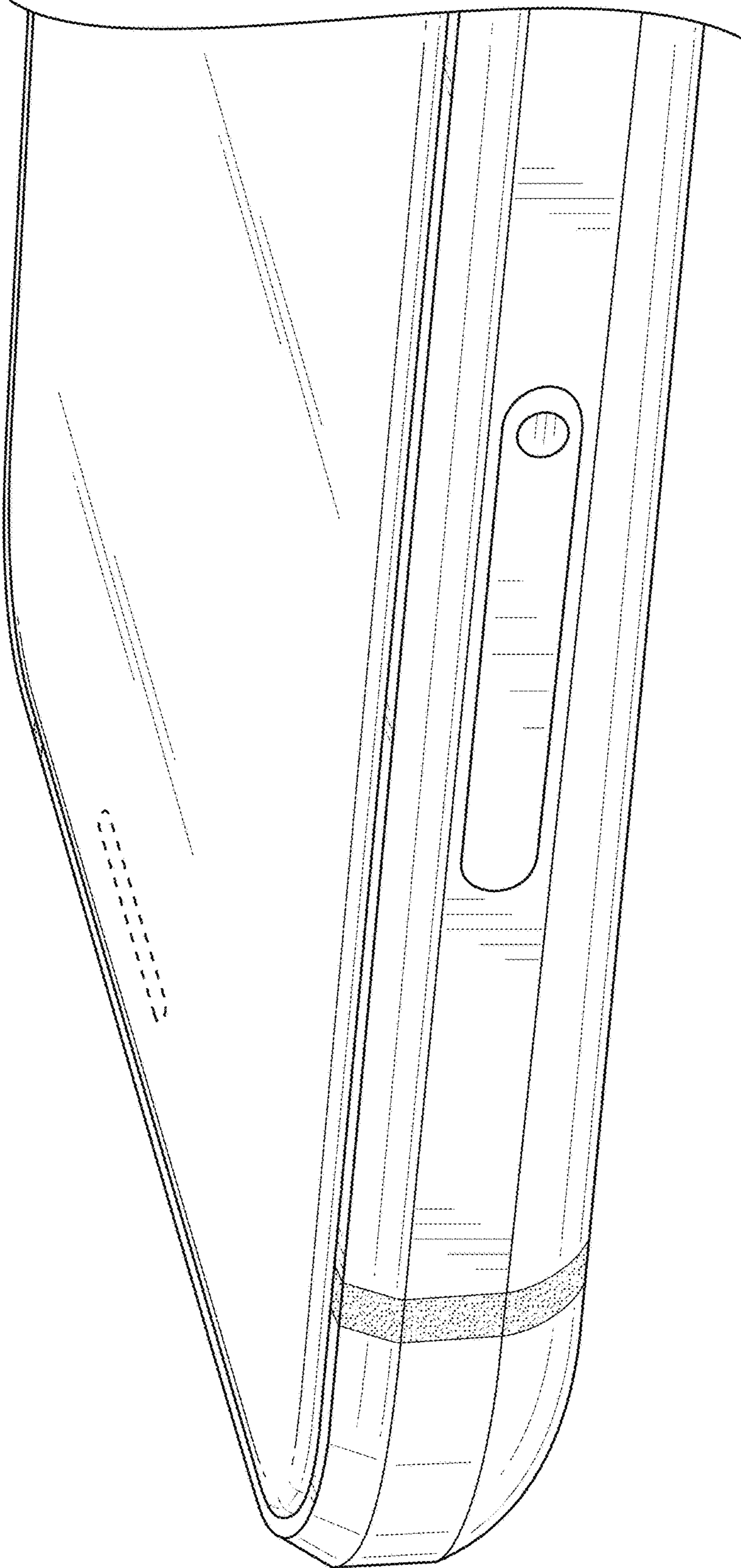


FIG. 9

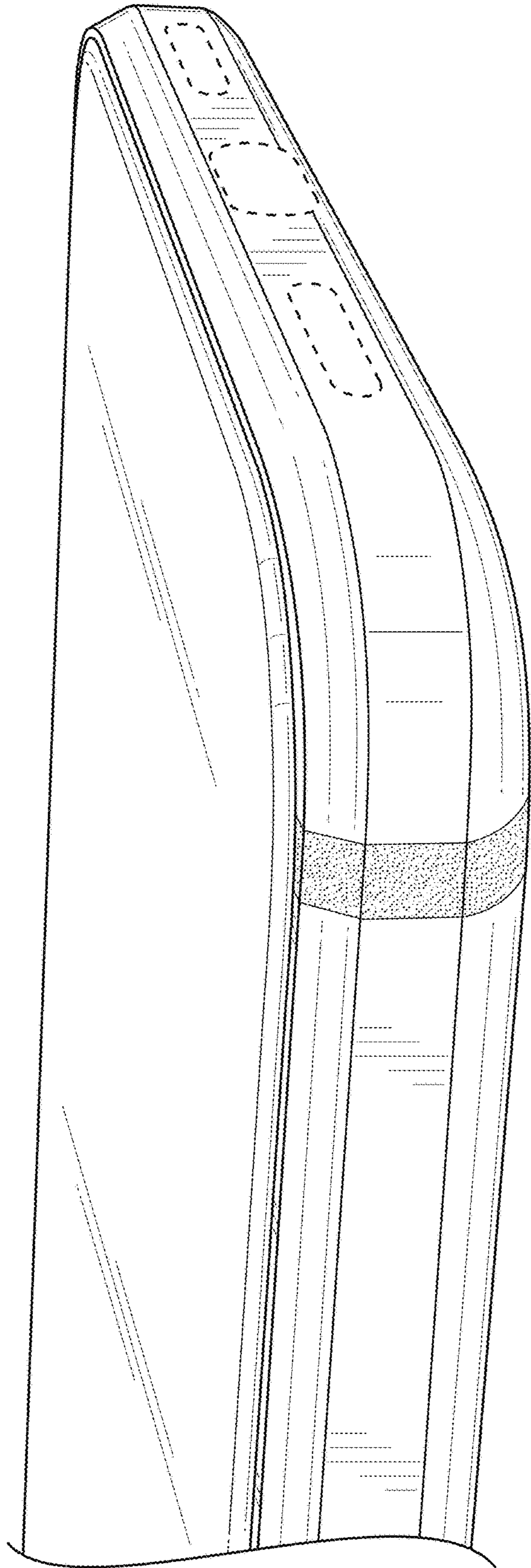


FIG. 10