



US00D801944S

(12) **United States Design Patent** (10) **Patent No.:** **US D801,944 S**
Kim et al. (45) **Date of Patent:** **** Nov. 7, 2017**

(54) **MOBILE PHONE**
(71) Applicant: **LG ELECTRONICS INC.**, Seoul (KR)
(72) Inventors: **Sungwoo Kim**, Seoul (KR); **Seunghyun Ji**, Seoul (KR)
(73) Assignee: **LG ELECTRONICS INC.**, Seoul (KR)

D571,773 S * 6/2008 Kim D14/138 AB
D572,225 S * 7/2008 Choi D14/138 AB
D577,355 S * 9/2008 Jeoung D14/138 AB
D583,790 S * 12/2008 Son D14/138 AB
D583,793 S * 12/2008 Tkachuk D14/138 AB
D593,985 S * 6/2009 Park D14/138 AB
D599,769 S * 9/2009 Chambers D14/138 AB
D603,825 S * 11/2009 Jeoung D14/138 AB
D627,754 S * 11/2010 Castaneda D14/138 AB
D631,462 S * 1/2011 Kim D14/138 AB
D633,069 S * 2/2011 Ryu D14/138 AB

(Continued)

(**) Term: **15 Years**

(21) Appl. No.: **29/535,319**

(22) Filed: **Aug. 5, 2015**

(30) **Foreign Application Priority Data**

Feb. 6, 2015 (KR) 30-2015-0006653

(51) **LOC (10) Cl.** **14-03**

(52) **U.S. Cl.**
USPC **D14/138 AB**

(58) **Field of Classification Search**
USPC D14/315-318, 341-347, 420, 426, 250, D14/129-130, 496, 137, 138 AB, 138 R, D14/138 AA, 138 C, 138 G, 147, 218, D14/389; D10/65, 74
CPC .. G06F 1/1613; G06F 1/1647; G06F 3/04883; G06F 3/0486; G06F 3/0484; G06F 3/04847; G06F 3/04845; G06F 3/04817; G06F 3/1641; A63H 33/3016; H04M 1/0279; H04M 1/0281; H04M 1/0283
See application file for complete search history.

(56) **References Cited**

U.S. PATENT DOCUMENTS

D507,551 S * 7/2005 Kim D14/138 AB
D519,967 S * 5/2006 Wei D14/138 AB
D552,056 S * 10/2007 Lee D14/138 AB
D563,365 S * 3/2008 Kim D14/138 AB
D563,924 S * 3/2008 Arnold D14/138 AB

OTHER PUBLICATIONS

LG Terra, announced Jul. 27, 2015 [online], [site visited Jan. 17, 2016], Available from Internet, URL: <http://www.phonearena.com/phones/LG-Terra_id9552>.*

Primary Examiner — Barbara Fox

Assistant Examiner — Mary C Ramirez

(74) *Attorney, Agent, or Firm* — Birch, Stewart, Kolasch & Birch, LLP

(57) **CLAIM**

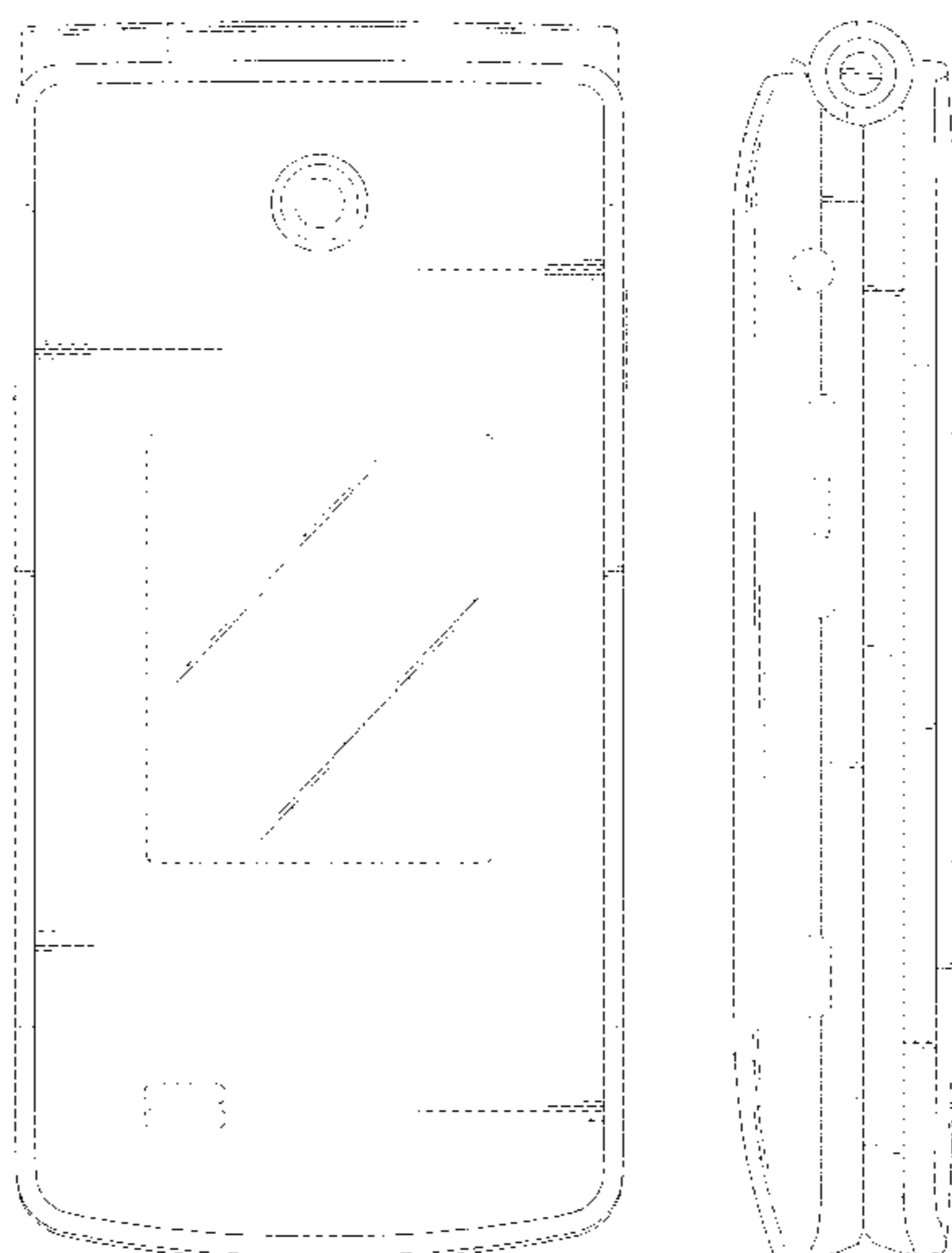
The ornamental design for a mobile phone, as shown and described.

DESCRIPTION

FIG. 1 is a front, right side perspective view of a mobile phone showing our new design;
FIG. 2 is a front view thereof;
FIG. 3 is a rear view thereof;
FIG. 4 is a left side view thereof;
FIG. 5 is a right side view thereof;
FIG. 6 is a top plan view thereof;
FIG. 7 is a bottom plan view thereof; and,
FIG. 8 is a front view of the mobile phone in an alternate unfolded position.

The broken lines depict portions of the mobile phone that form no part of the claimed design.

1 Claim, 7 Drawing Sheets



(56)

References Cited

U.S. PATENT DOCUMENTS

D636,754 S *	4/2011	Veiga	D14/138 AB
D647,873 S *	11/2011	Park	D14/138 AB
D657,766 S *	4/2012	Lee	D14/138 AB
D680,988 S *	4/2013	Youn	D14/138 AB
D709,471 S *	7/2014	Okabe	D14/138 AB
D749,537 S *	2/2016	Park	D14/138 AB
D749,540 S *	2/2016	Lee	D14/138 AB
2011/0072345 A1 *	3/2011	Lim	G06F 3/016 715/702

* cited by examiner

FIG. 1

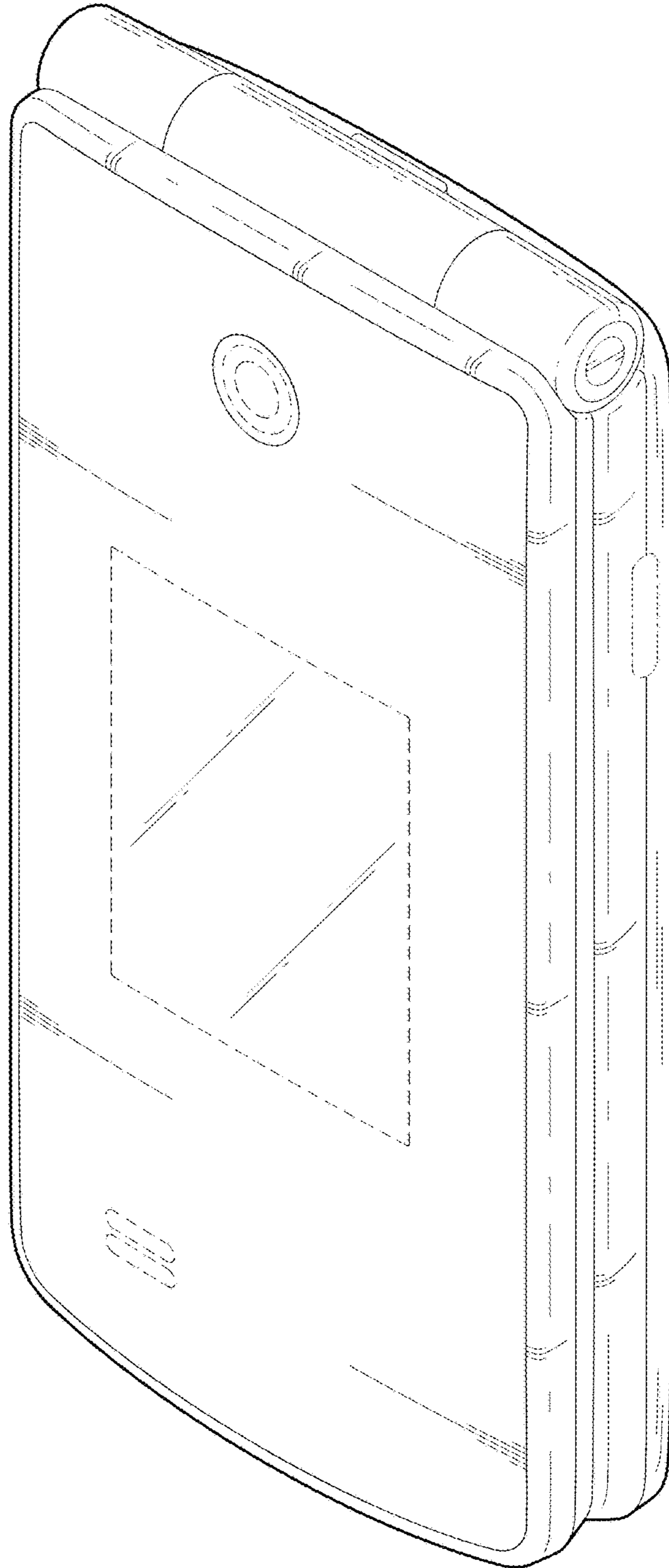


FIG. 2

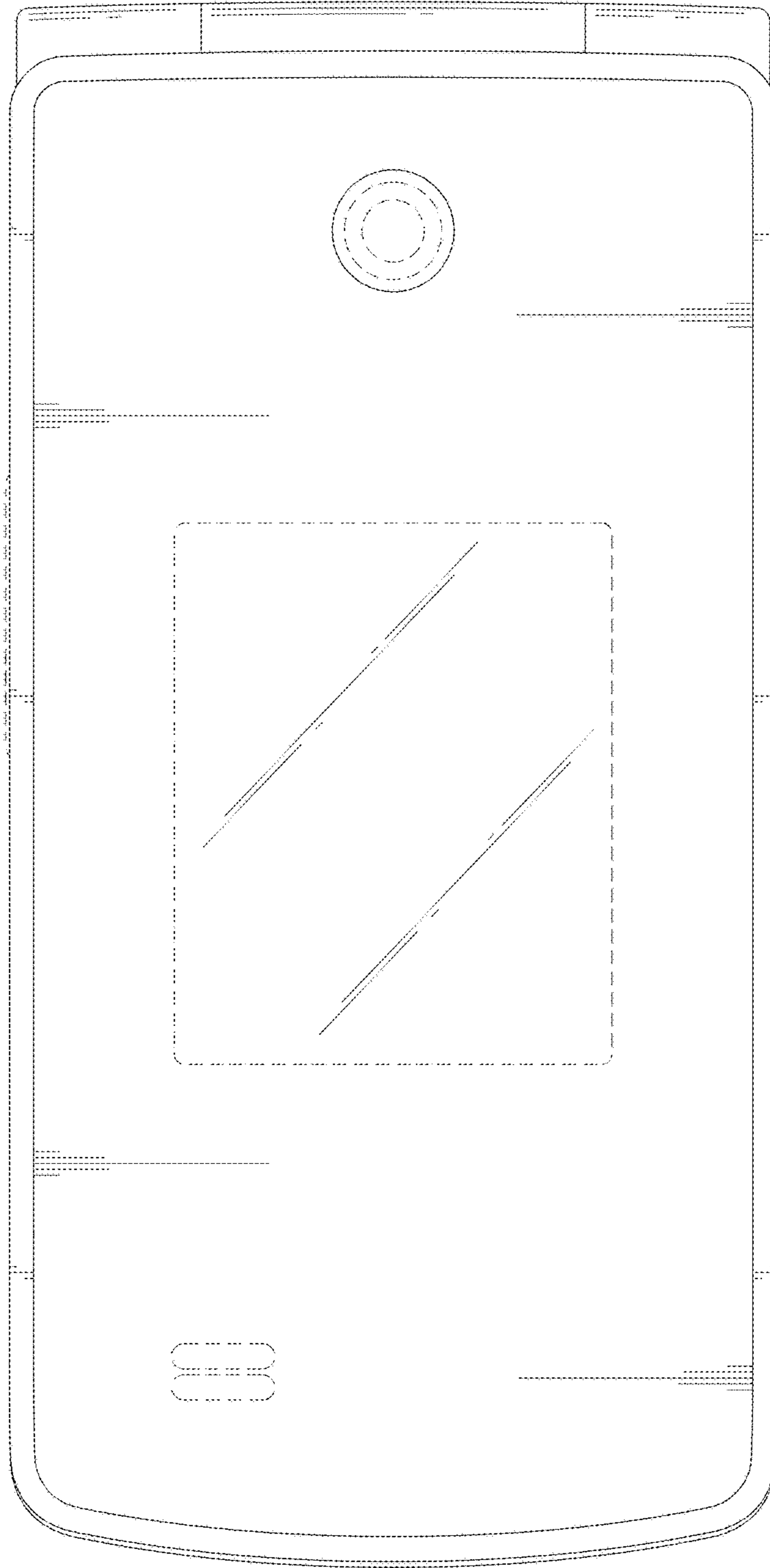


FIG. 3

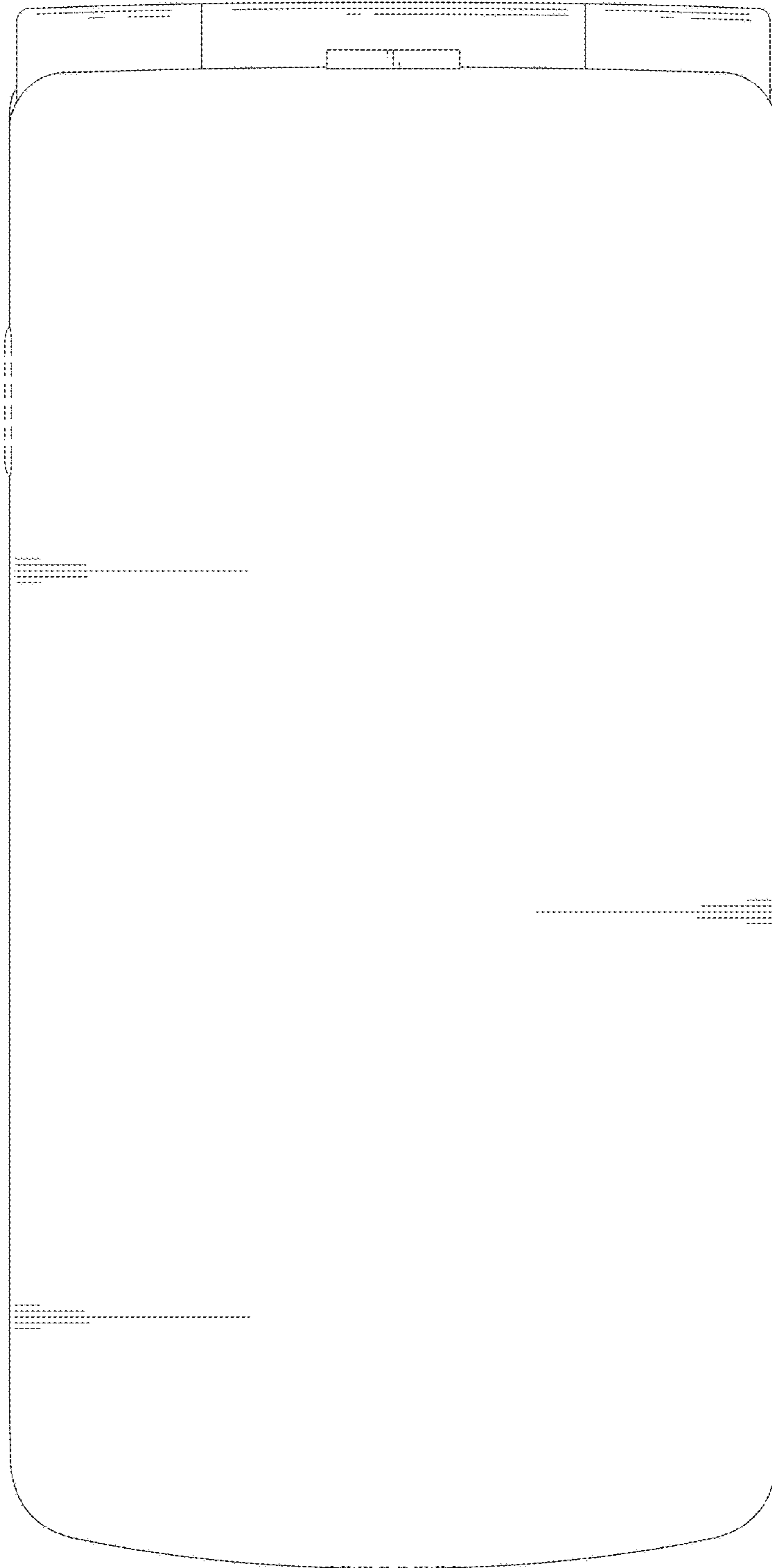


FIG. 4

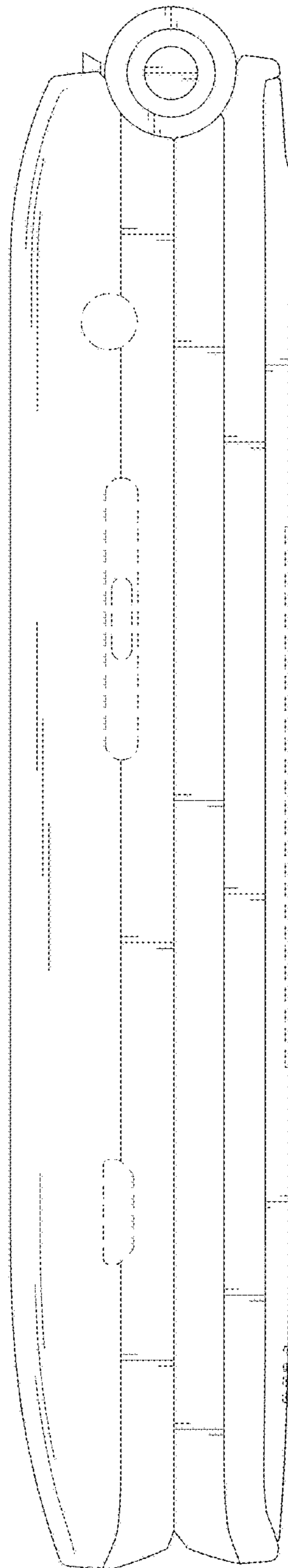


FIG. 5

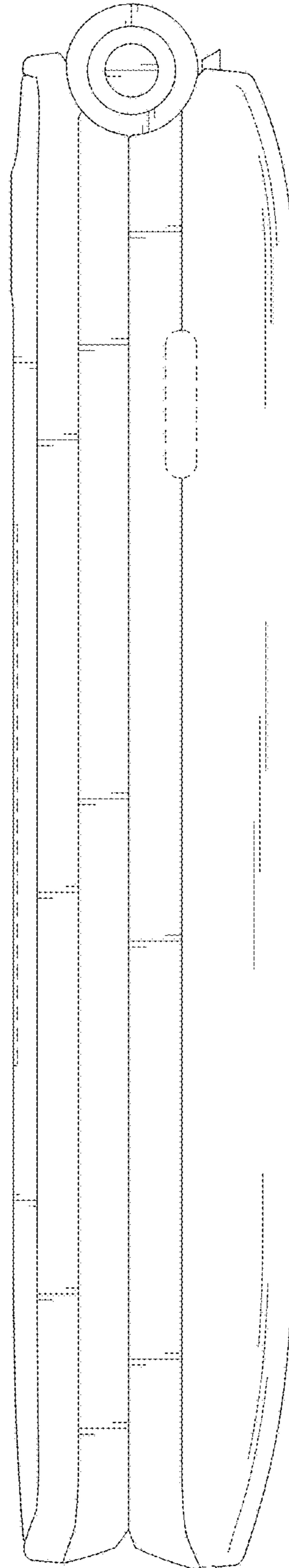


FIG. 6

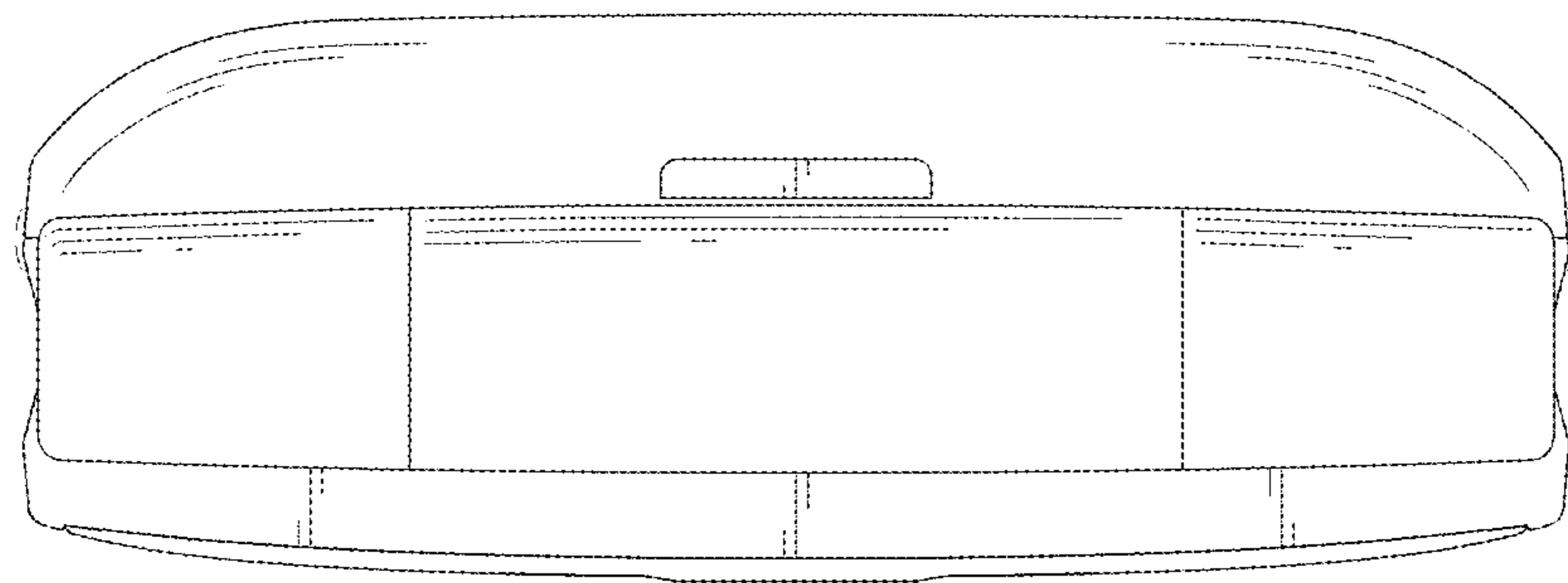


FIG. 7

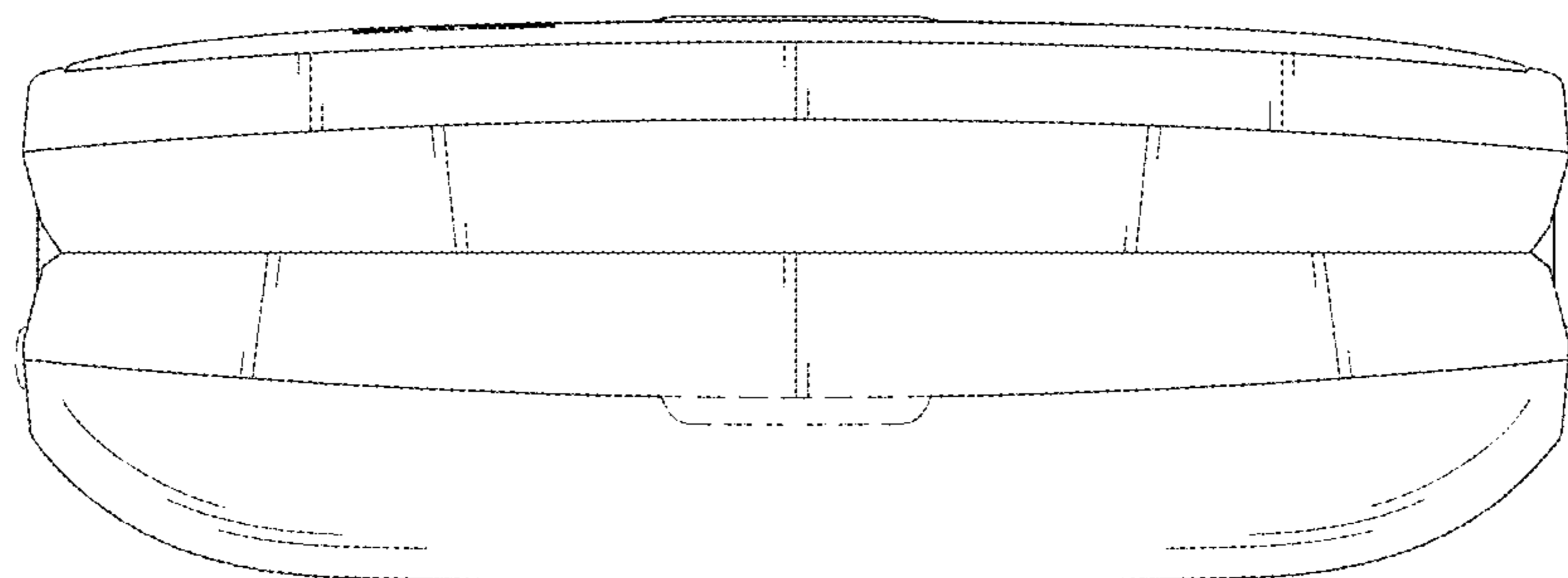


FIG. 8

