



US00D801941S

(12) **United States Design Patent** (10) **Patent No.:** **US D801,941 S**  
**Hikima et al.** (45) **Date of Patent:** **\*\* Nov. 7, 2017**

(54) **OPERATION BUTTON FOR ELEVATOR**

(71) Applicant: **mitsubishi electric corporation**, Tokyo (JP)

(72) Inventors: **Takanori Hikima**, Tokyo (JP); **Yoshinori Saikawa**, Tokyo (JP); **Eiji Yuasa**, Tokyo (JP); **Takeyuki Hori**, Tokyo (JP)

(73) Assignee: **Mitsubishi Electric Corporation**, Tokyo (JP)

(\*\*) Term: **14 Years**

(21) Appl. No.: **29/502,789**

(22) Filed: **Sep. 19, 2014**

(30) **Foreign Application Priority Data**

Mar. 24, 2014 (JP) ..... 2014-006051  
Mar. 24, 2014 (JP) ..... 2014-006052

(51) **LOC (10) Cl.** ..... **13-03**

(52) **U.S. Cl.**  
USPC ..... **D13/171**

(58) **Field of Classification Search**  
USPC ..... D10/108, 106.95; D13/158, 162, 164, D13/171; D14/388, 390; 187/380, 395, 187/396, 397  
CPC ..... H01H 13/48; H01H 13/52; H01H 13/64; H01H 15/102; H01H 15/20  
See application file for complete search history.

(56) **References Cited**

**U.S. PATENT DOCUMENTS**

D561,705 S \* 2/2008 Tsuduki ..... D13/171  
D645,426 S \* 9/2011 Heng ..... D13/182

D663,639 S \* 7/2012 Saikawa ..... D10/108  
D696,602 S \* 12/2013 Saikawa ..... D10/108  
D699,617 S \* 2/2014 Saikawa ..... D10/108  
D727,859 S \* 4/2015 Freeman ..... D13/180  
D757,661 S \* 5/2016 Amano ..... D13/171  
D775,166 S \* 12/2016 Yamazaki ..... D14/486  
2015/0235786 A1 \* 8/2015 Sugihara ..... H01H 13/023  
200/314

\* cited by examiner

*Primary Examiner* — Susan Bennett Hattan

*Assistant Examiner* — Camelia H Styles

(74) *Attorney, Agent, or Firm* — Studebaker & Brackett PC

(57) **CLAIM**

The ornamental design for an operation button for elevator, as shown and described.

**DESCRIPTION**

FIG. 1 is a perspective view of the front, right, and top side of an operation button for elevator showing my design; FIG. 2 is a front view thereof; FIG. 3 is a rear view thereof; FIG. 4 is a left side view thereof; FIG. 5 is a right side view thereof; FIG. 6 is a top view thereof; FIG. 7 is a bottom view thereof; and, FIG. 8 is a reference view for showing use situation. The broken lines depict portions of the operation button for elevator that form no part of the claimed design.

**1 Claim, 6 Drawing Sheets**

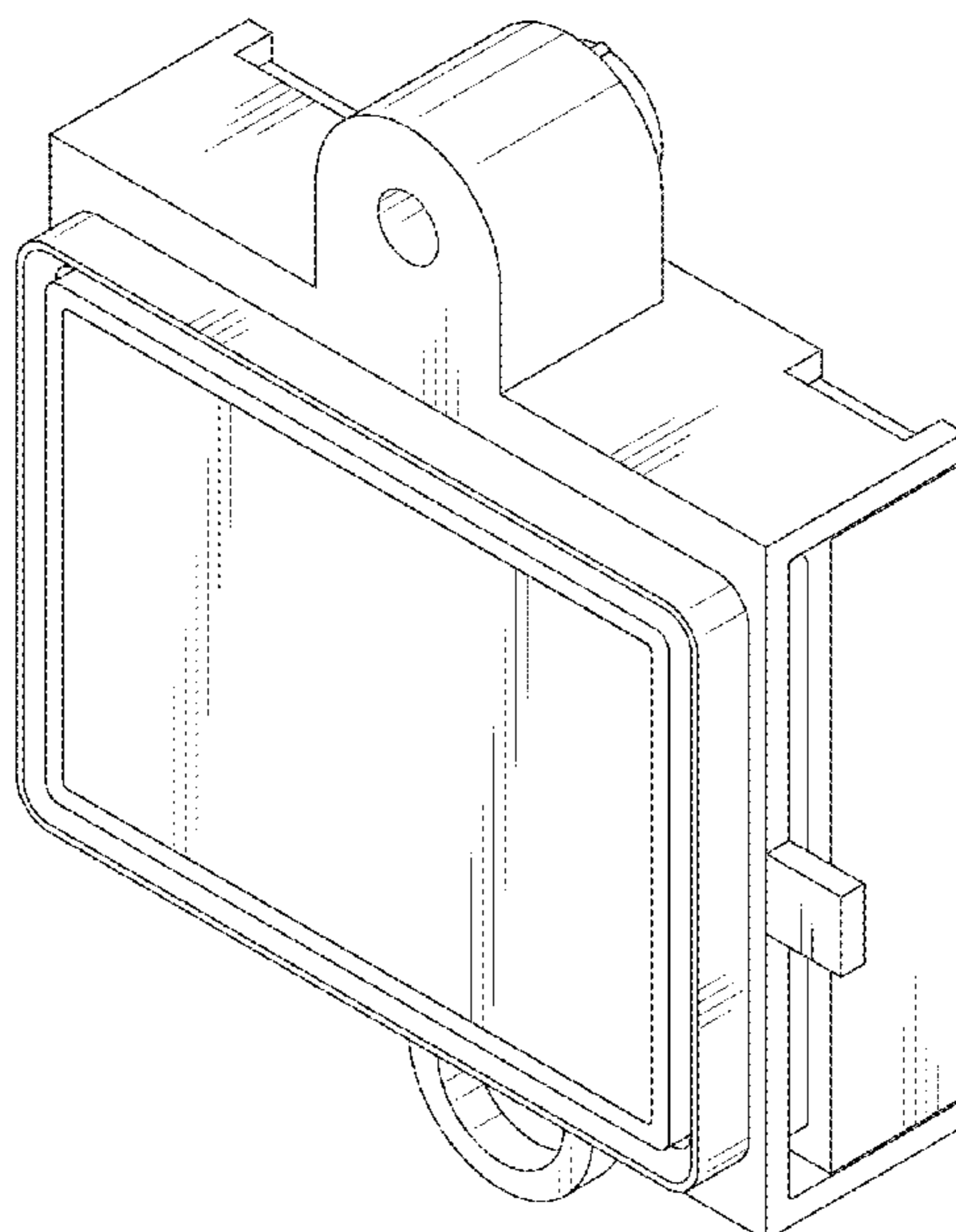


Fig. 1

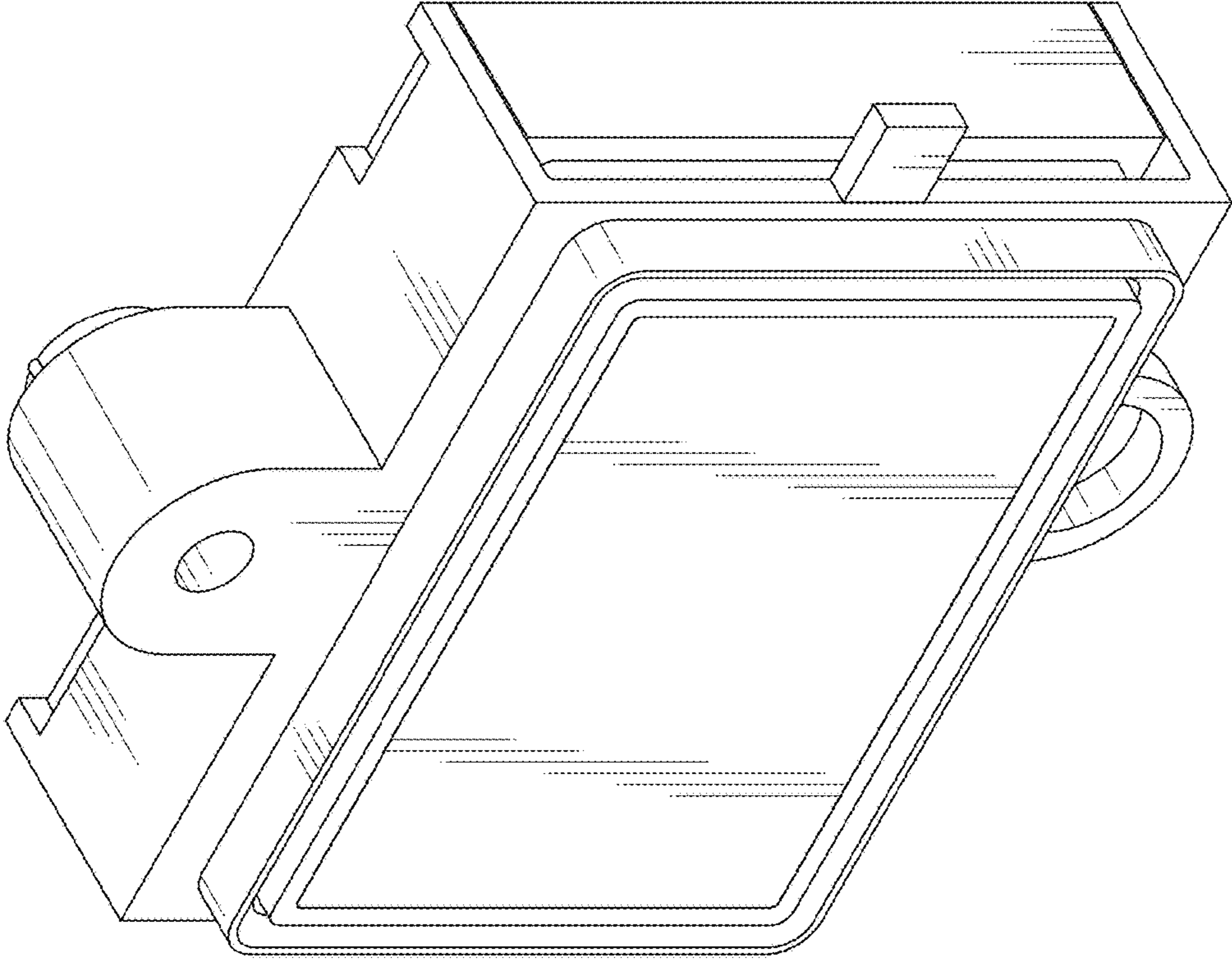


Fig. 2

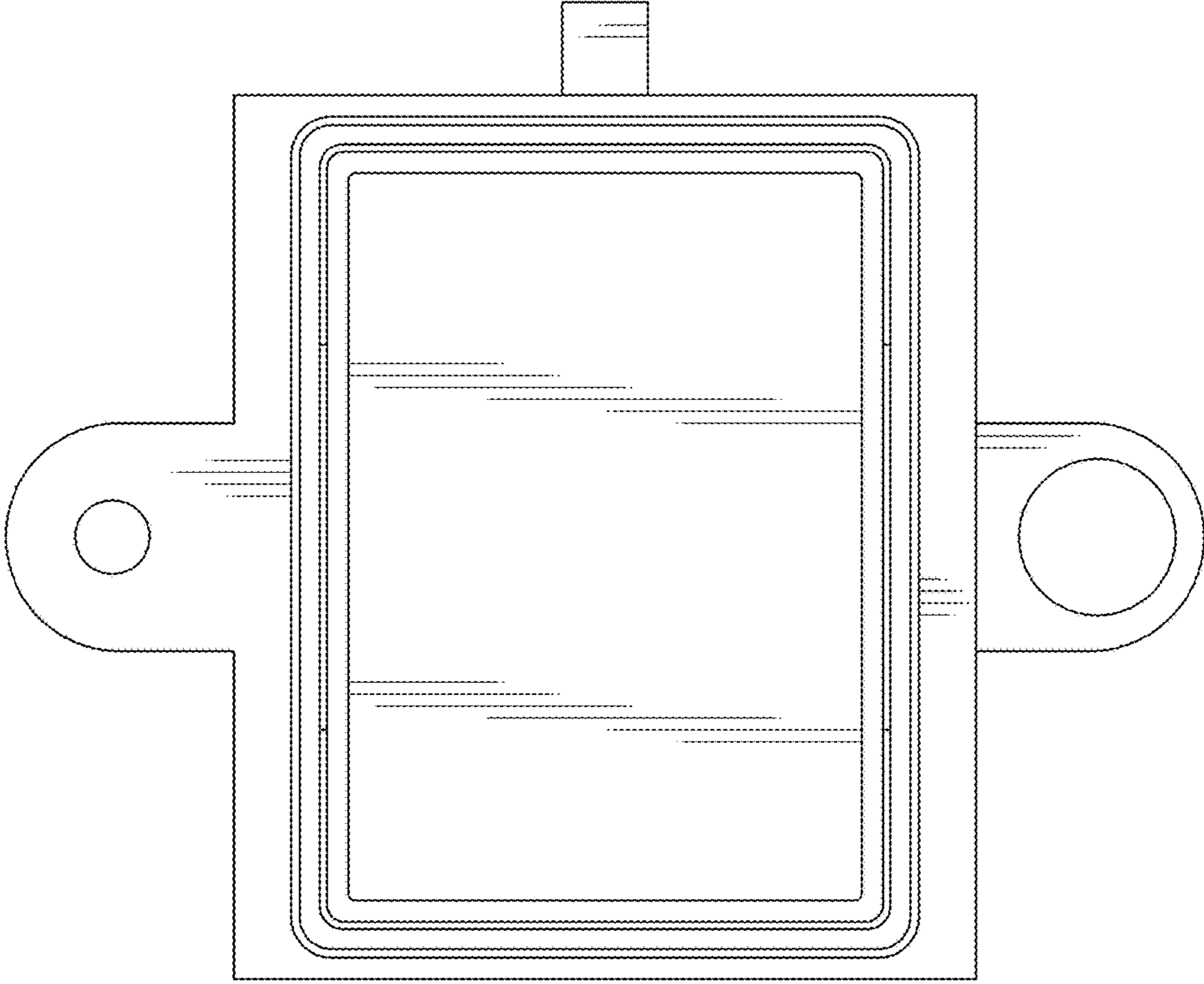


Fig. 3

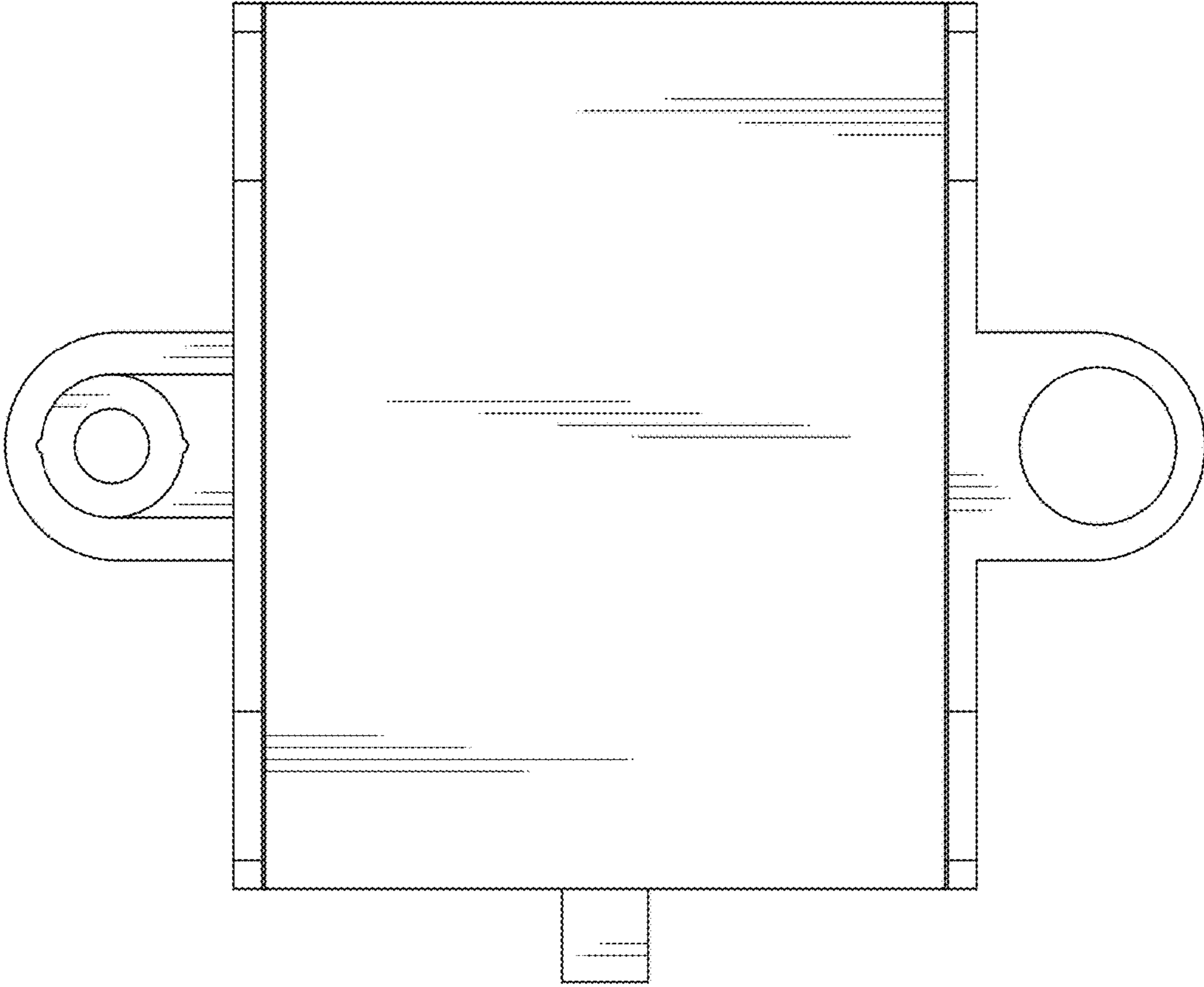


Fig. 5

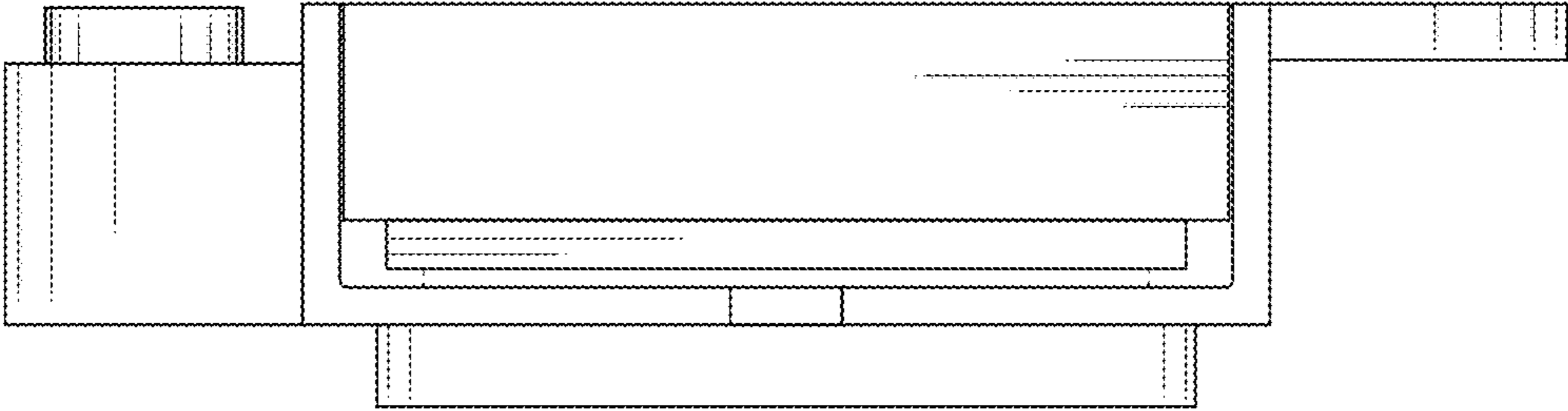


Fig. 4

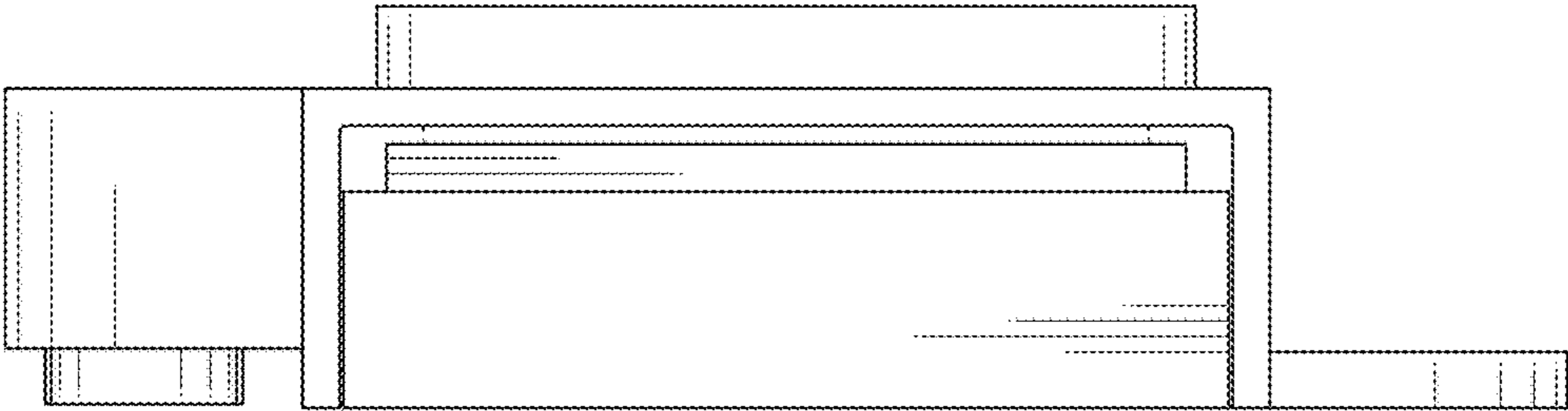


Fig. 6

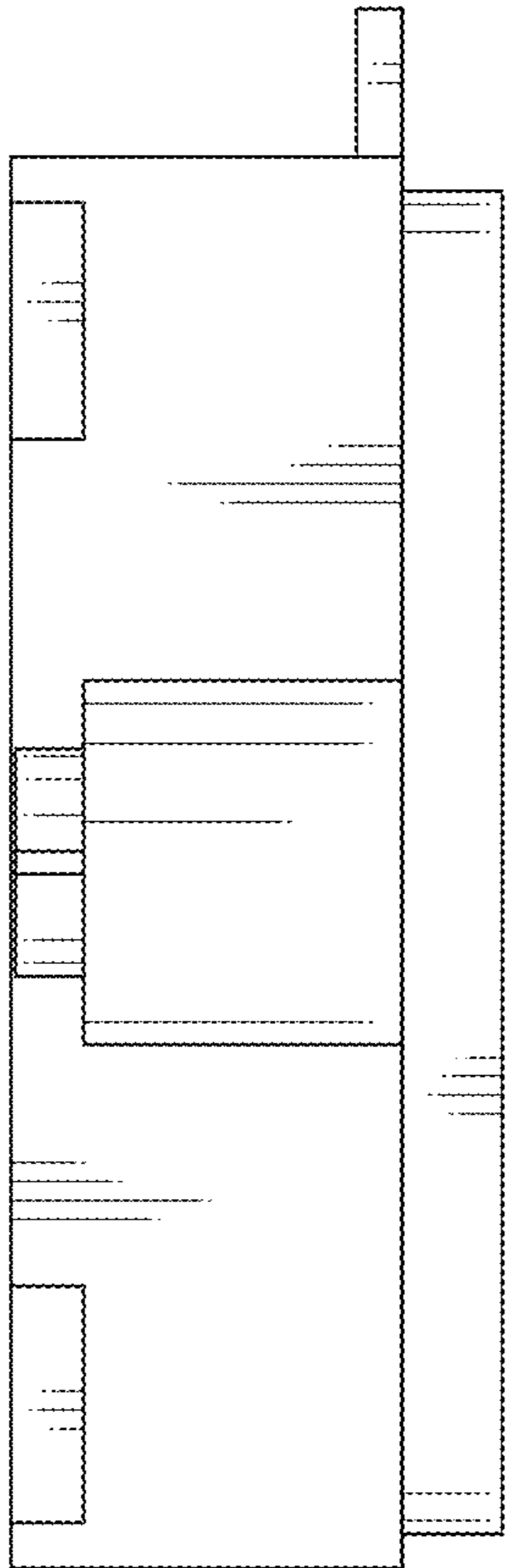


Fig. 7

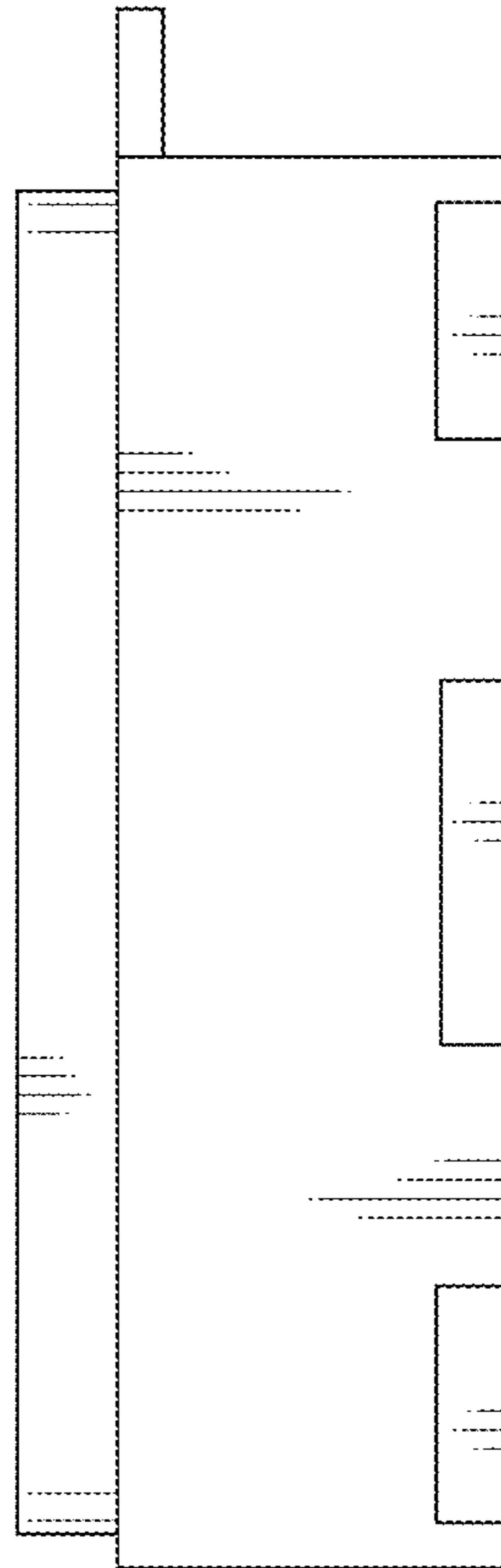




Fig. 8

