



US00D801939S

(12) **United States Design Patent**
Mäkelä et al.

(10) **Patent No.:** **US D801,939 S**

(45) **Date of Patent:** **** Nov. 7, 2017**

(54) **OPERATING PANEL FOR AN ELECTRICAL DEVICE**

(71) Applicant: **ABB Technology OY**, Helsinki (FI)

(72) Inventors: **Marjukka Mäkelä**, Helsinki (FI);
Kimmo Ollikainen, Helsinki (FI)

(73) Assignee: **ABB Technology OY**, Helsinki (FI)

(**) Term: **15 Years**

(21) Appl. No.: **29/575,456**

(22) Filed: **Aug. 25, 2016**

(30) **Foreign Application Priority Data**

Feb. 29, 2016 (EM) 003005644

(51) **LOC (10) Cl.** **13-03**

(52) **U.S. Cl.**
USPC **D13/162**

(58) **Field of Classification Search**
USPC D13/110, 158, 162, 164
CPC G05B 19/409; G05B 2219/23406; H02M
7/003; H05K 5/00; H05K 5/0017; H05K
5/02; H05K 5/0217; H05K 5/03
See application file for complete search history.

(56) **References Cited**

U.S. PATENT DOCUMENTS

- 5,666,268 A * 9/1997 Rix H05K 7/1432
361/115
- 6,091,604 A * 7/2000 Plougsgaard H02M 7/003
165/185
- D450,305 S * 11/2001 Masuzoe D13/168
- D512,026 S * 11/2005 Nurmi D13/162
- D555,602 S * 11/2007 Park D13/162
- D610,553 S * 2/2010 Makela D13/162
- D742,333 S * 11/2015 Engblom D13/162

- D772,161 S * 11/2016 Saarivirta D13/110
- 2010/0079096 A1 * 4/2010 Braun G05B 19/042
318/494
- 2012/0109343 A1 * 5/2012 Shah G05B 19/409
700/83
- 2013/0073770 A1 * 3/2013 Woltring G05B 19/0423
710/303
- 2017/0077831 A1 * 3/2017 Yanagimoto H05K 7/1432

* cited by examiner

Primary Examiner — Selina Sikder

(74) *Attorney, Agent, or Firm* — Taft Stettinius & Hollister LLP

(57) **CLAIM**

The ornamental design for an operating panel for an electrical device, as shown and described.

DESCRIPTION

FIG. 1 is a front side perspective view of an operating panel for an electrical device.

FIG. 2 is a front side view of the operating panel shown in FIG. 1.

FIG. 3 is a right side view of the operating panel shown in FIG. 1.

FIG. 4 is a left side view of the operating panel shown in FIG. 1.

FIG. 5 is a top side view of the operating panel shown in FIG. 1.

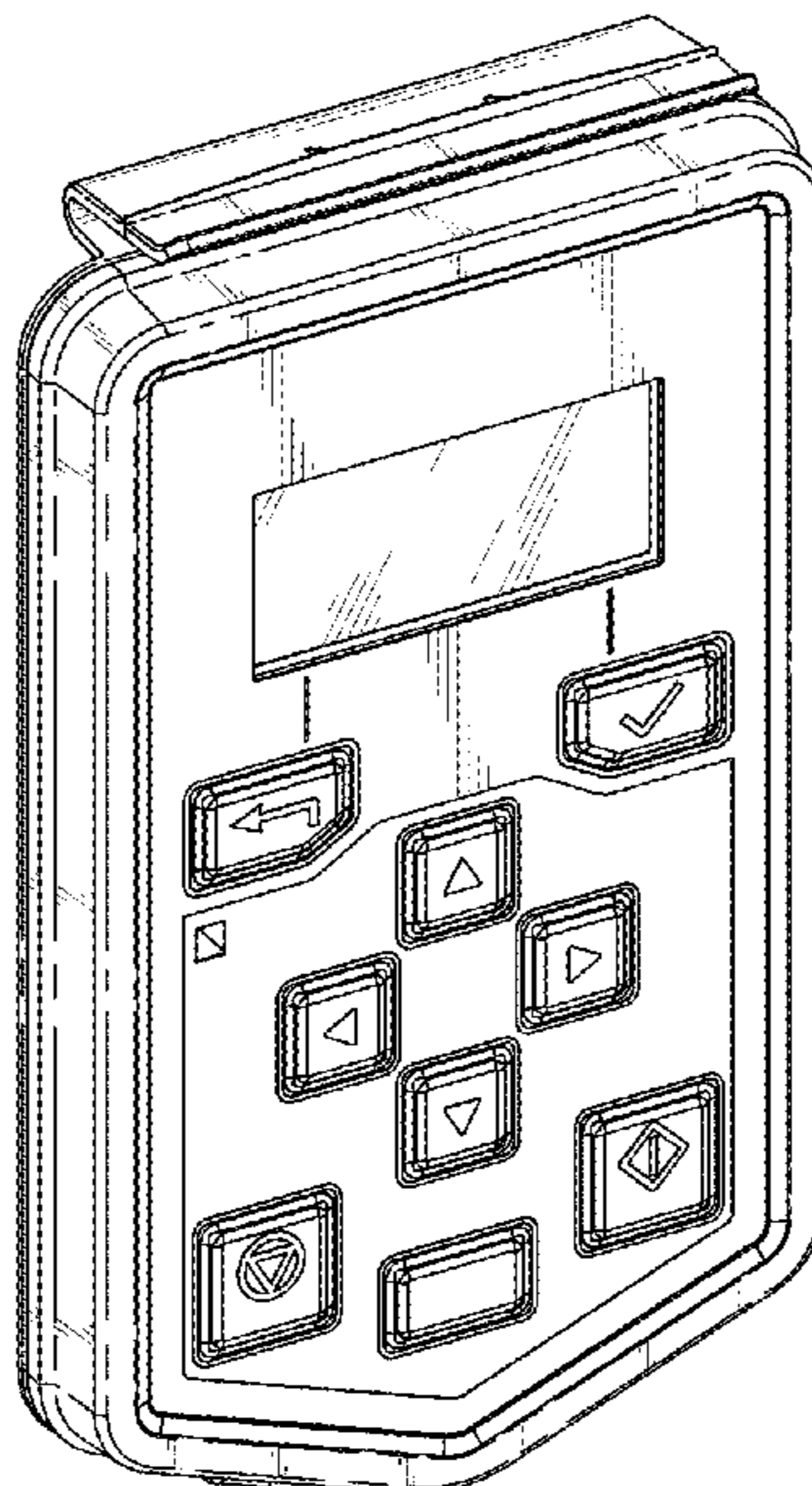
FIG. 6 is a bottom side view of the operating panel shown in FIG. 1.

FIG. 7 is a back side view of the operating panel shown in FIG. 1.

FIG. 8 is a bottom side perspective view of the operating panel shown in FIG. 1; and,

FIG. 9 is a top side perspective view of the operating panel shown in FIG. 1.

1 Claim, 9 Drawing Sheets



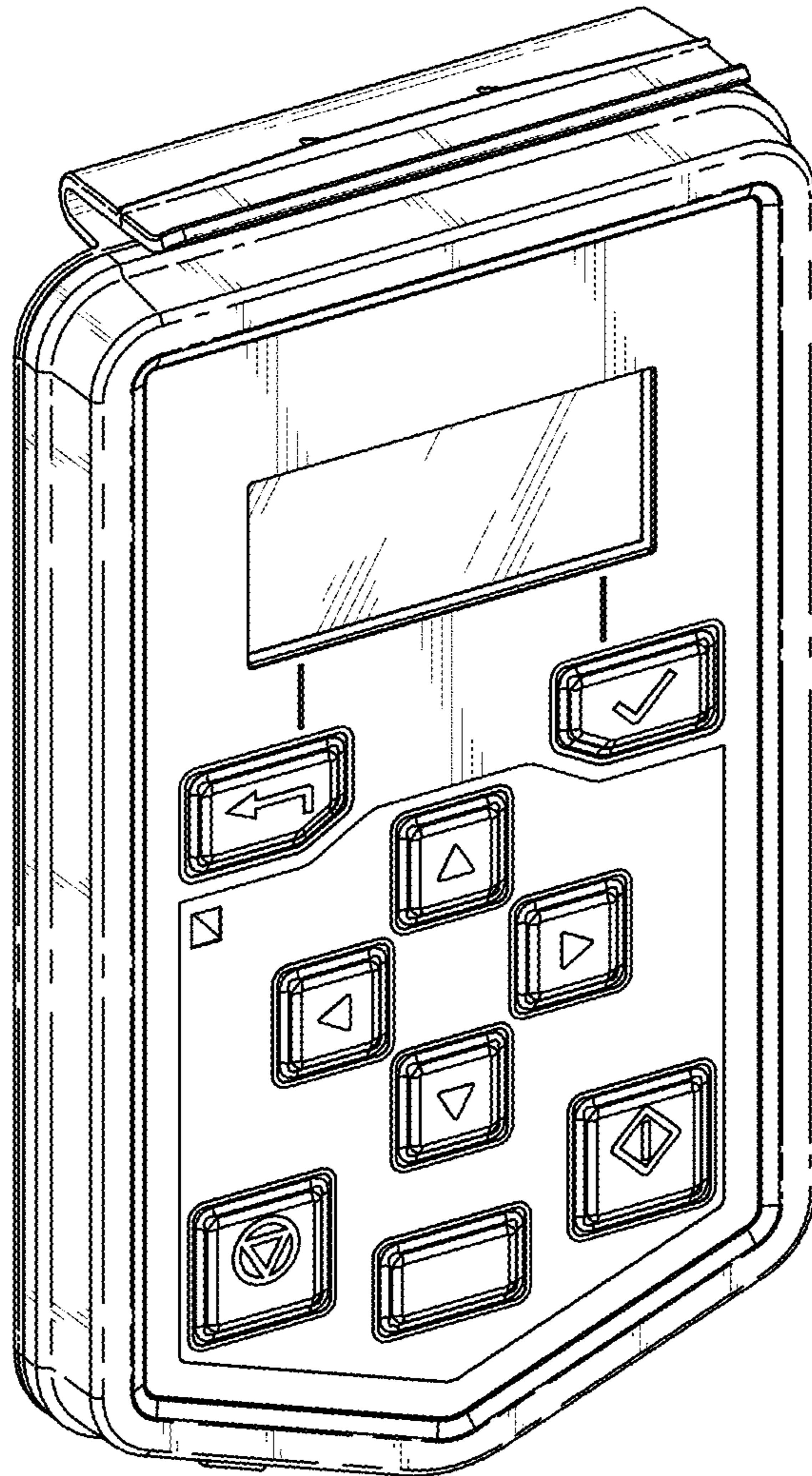


FIG. 1

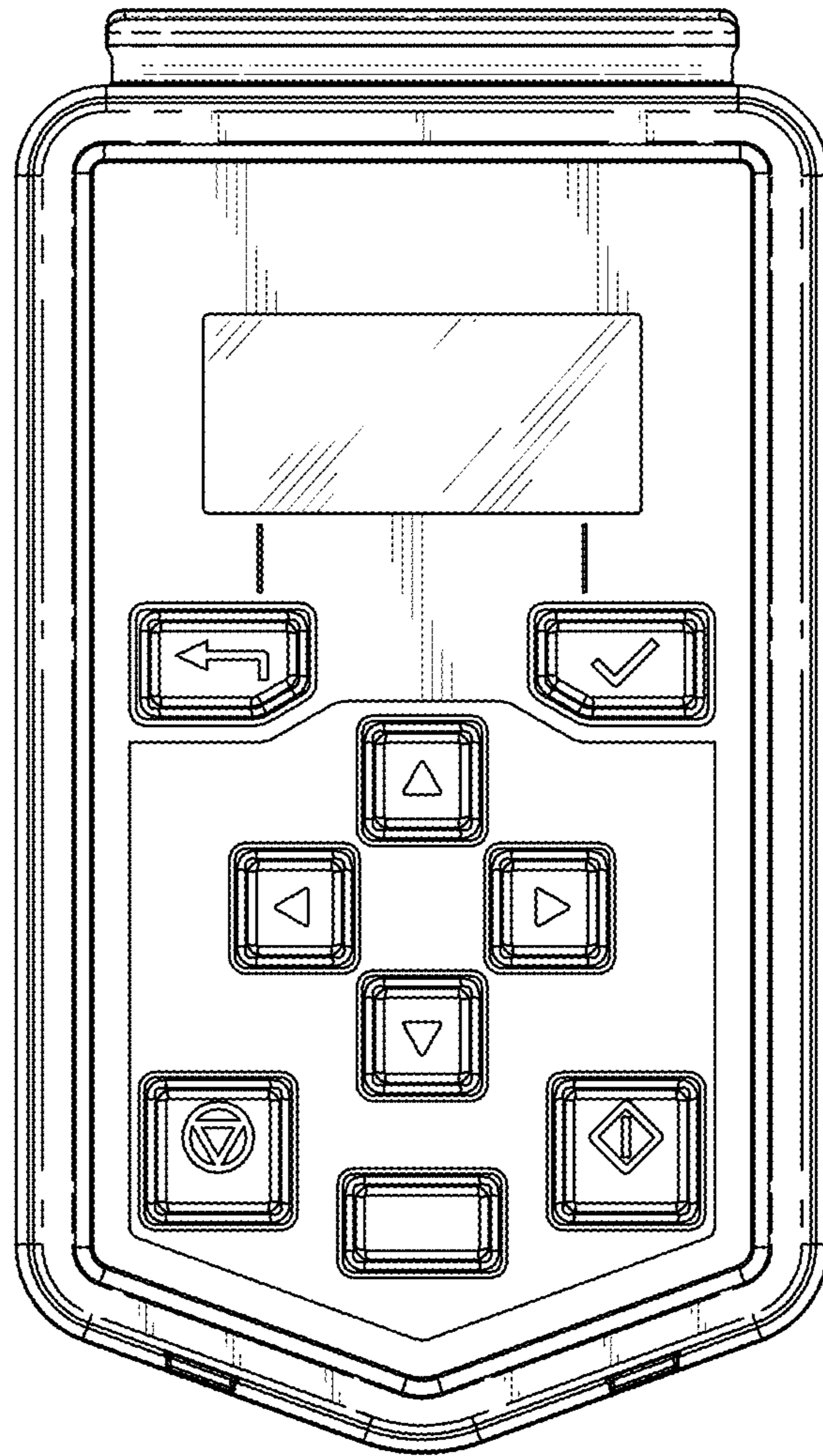


FIG. 2

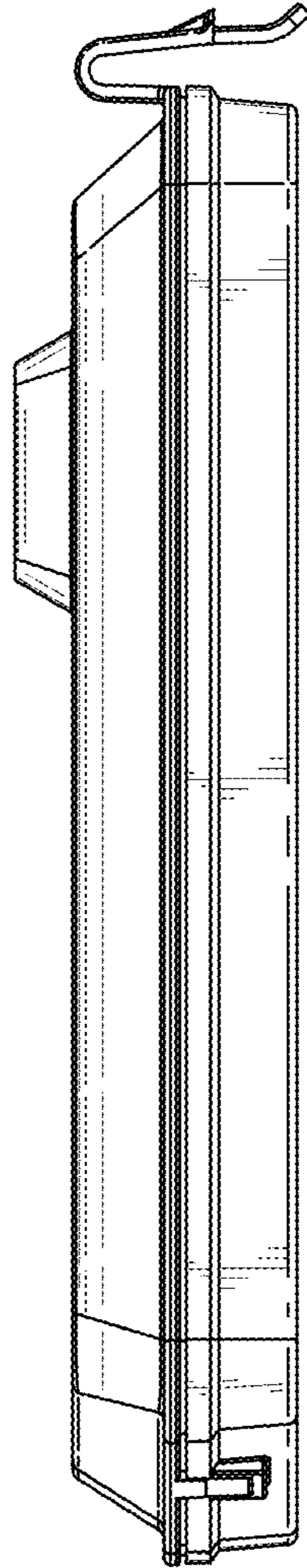


FIG. 3

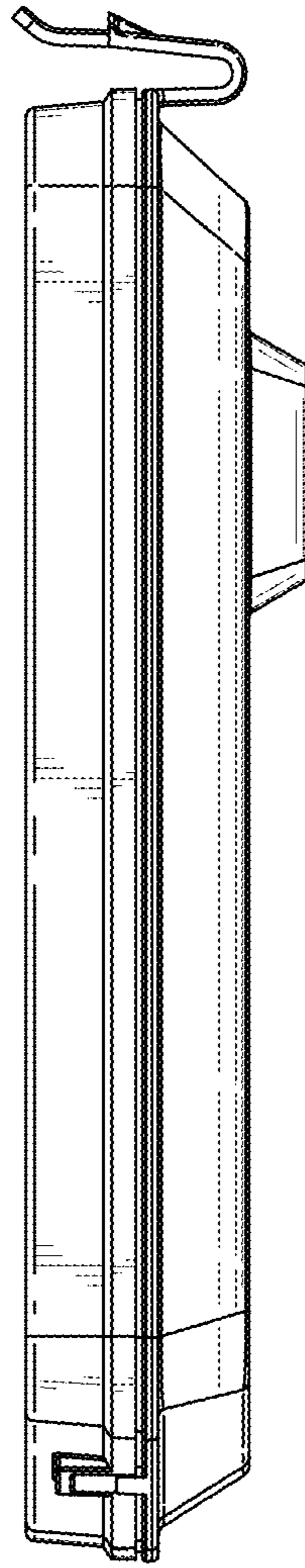


FIG. 4

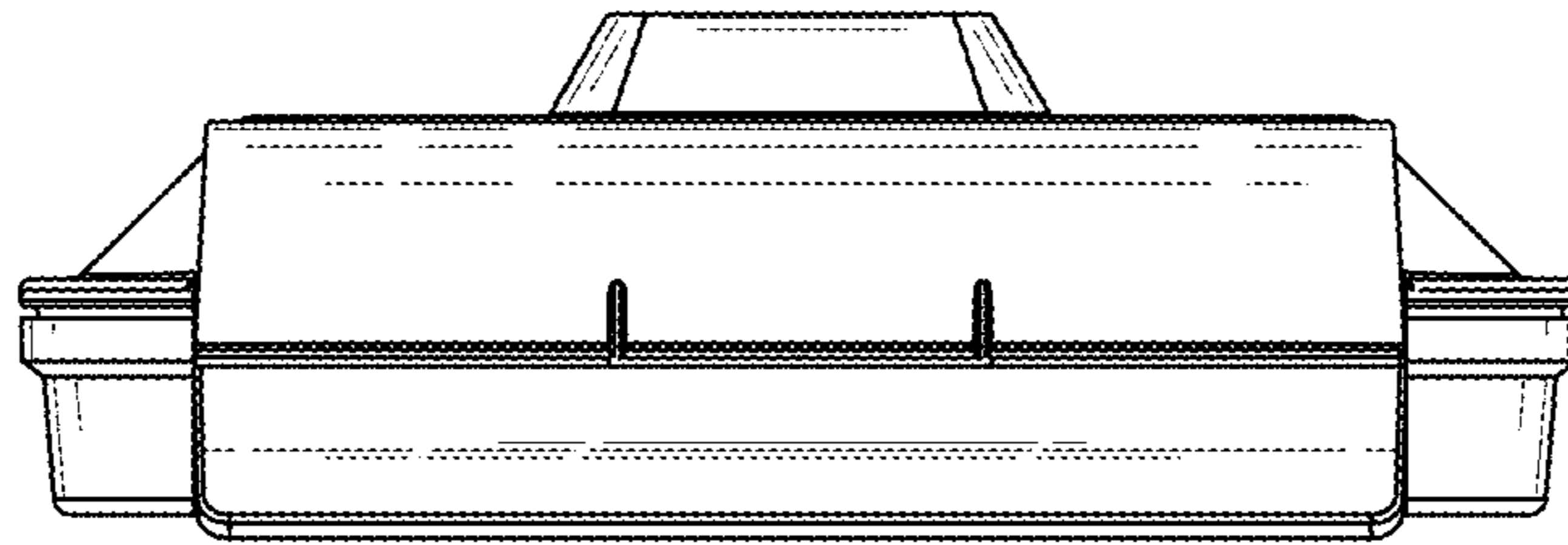


FIG. 5

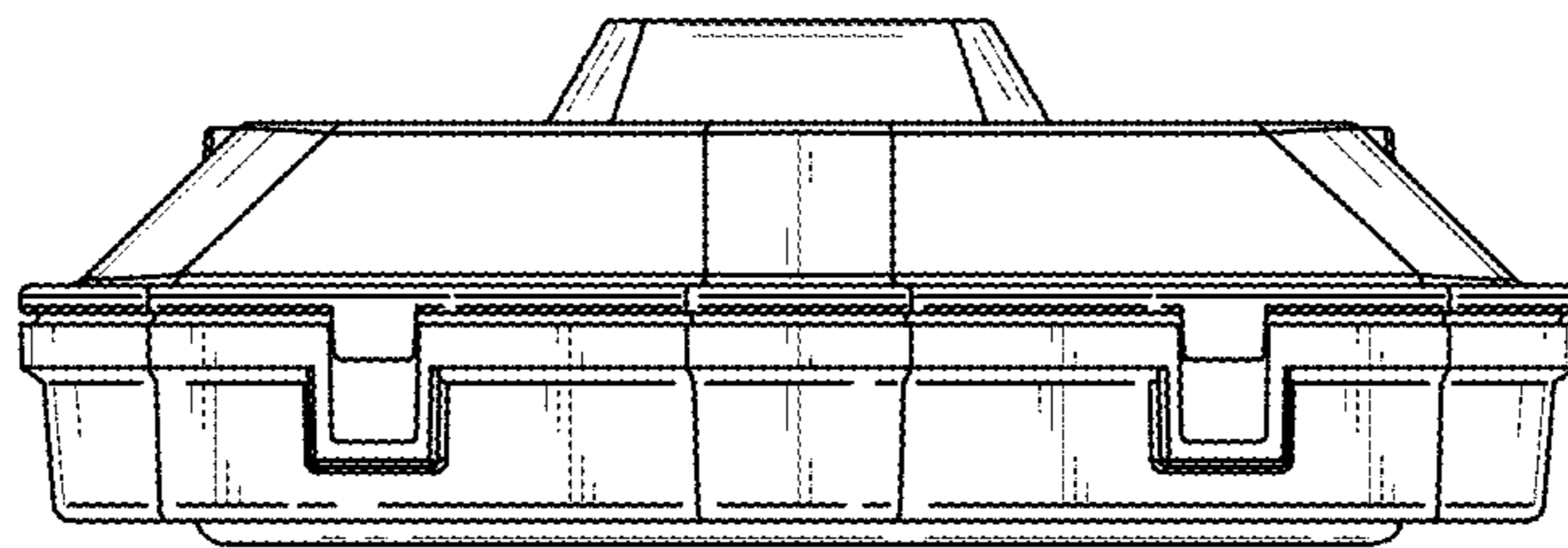


FIG. 6

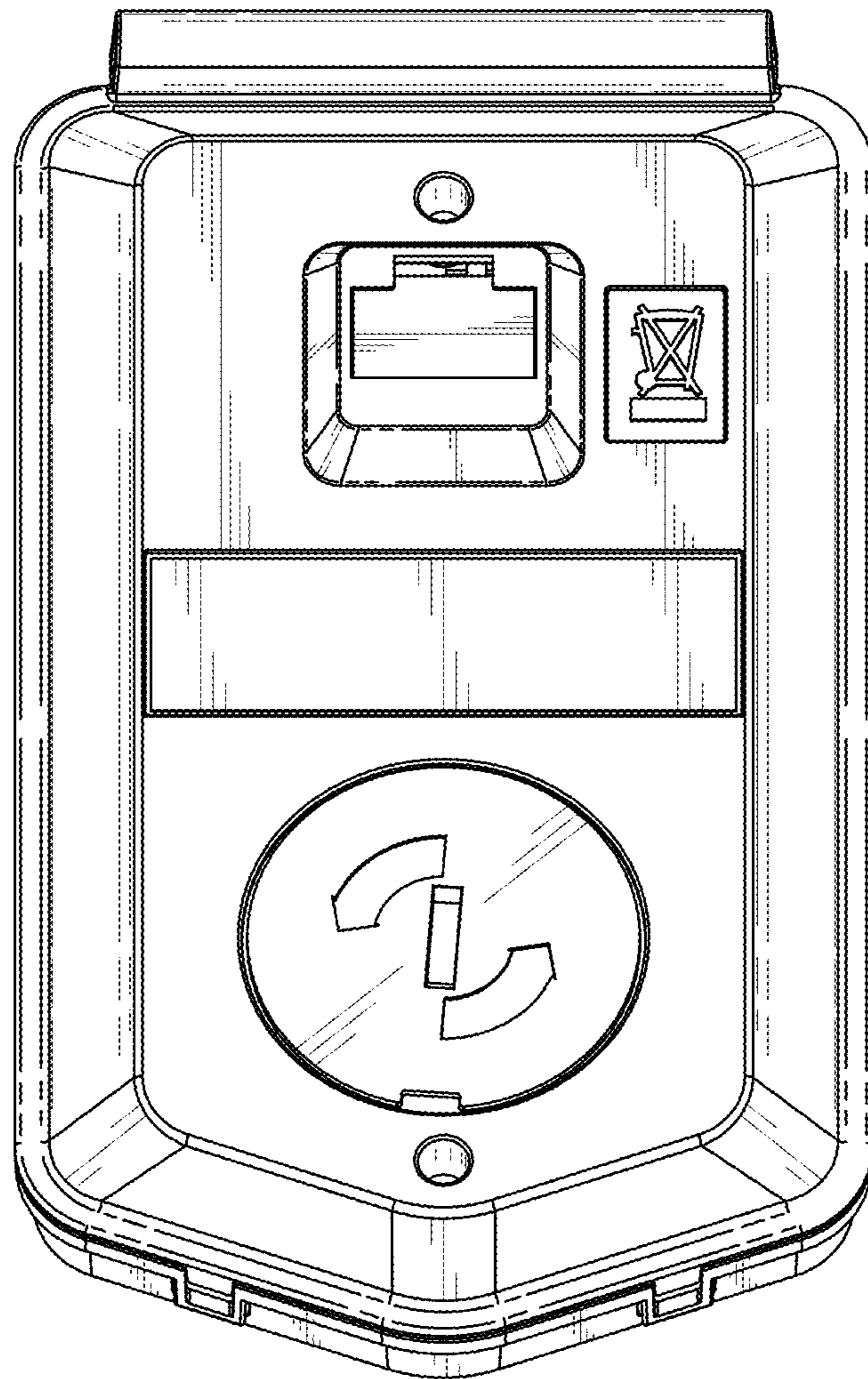


FIG. 7

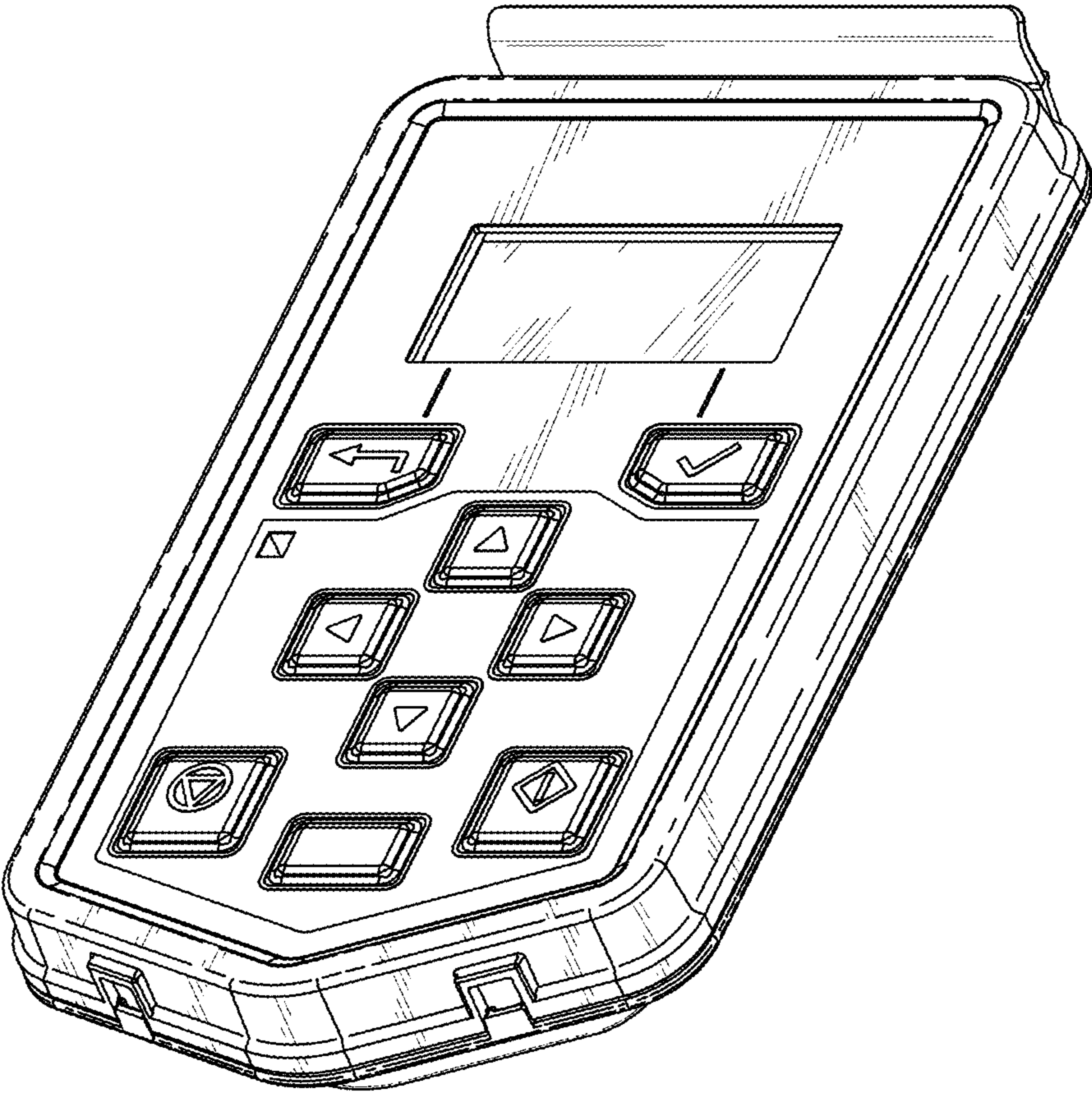


FIG. 8

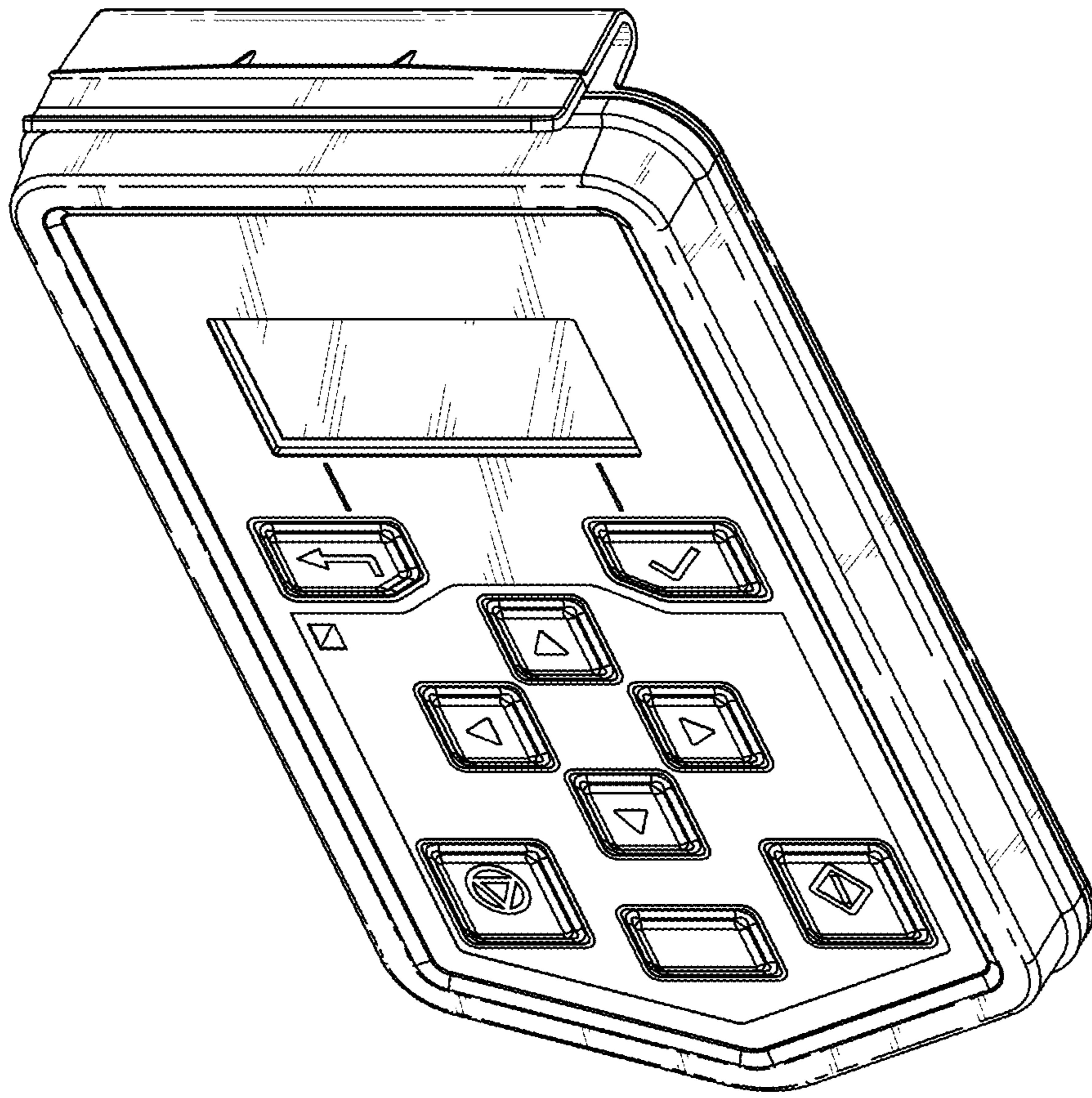


FIG. 9