



US00D801938S

(12) **United States Design Patent** (10) **Patent No.:** **US D801,938 S**
Shioda (45) **Date of Patent:** **** Nov. 7, 2017**

(54) **ELECTRICAL CONNECTOR**

(71) Applicant: **Japan Aviation Electronics Industry, Limited**, Tokyo (JP)

(72) Inventor: **Tatsuya Shioda**, Tokyo (JP)

(73) Assignee: **JAPAN AVIATION ELECTRONICS INDUSTRY, LIMITED**, Tokyo (JP)

(**) Term: **15 Years**

(21) Appl. No.: **29/565,309**

(22) Filed: **May 19, 2016**

(30) **Foreign Application Priority Data**

Nov. 30, 2015 (JP) 2015-026703

(51) **LOC (10) Cl.** **13-03**

(52) **U.S. Cl.**
USPC **D13/147**

(58) **Field of Classification Search**

USPC D13/133, 146, 147, 154, 156, 184, 199;
D14/432, 433, 434, 435.1, 438

CPC H01R 9/03; H01R 12/81; H01R 23/661;
H01R 24/60; H01R 24/62; H01R 24/64;
H01R 27/00; H01R 43/00; H01R 43/24;
H01R 13/03; H01R 13/17; H01R 13/405;
H01R 13/502; H01R 13/5837; H01R
13/595; H01R 13/6271; H01R 13/6275

See application file for complete search history.

(56) **References Cited**

U.S. PATENT DOCUMENTS

D760,657 S * 7/2016 Hung D13/147
D768,084 S * 10/2016 Rodriguez D13/147

D788,041 S * 5/2017 Akana D13/147
2015/0340815 A1* 11/2015 Gao H01R 13/6581
439/607.01
2016/0218459 A1* 7/2016 Hung H01R 13/502

* cited by examiner

Primary Examiner — Daniel Bui

(74) *Attorney, Agent, or Firm* — Manabu Kanesaka

(57) **CLAIM**

The ornamental design for an electrical connector, as shown and described.

DESCRIPTION

FIG. 1 is a front elevational view of an electrical connector showing my new design;

FIG. 2 is a rear elevational view thereof;

FIG. 3 is a right side elevational view thereof;

FIG. 4 is a left side elevational view thereof;

FIG. 5 is a top plan view thereof;

FIG. 6 is a bottom plan view thereof;

FIG. 7 is a perspective view showing a front, top and right side thereof;

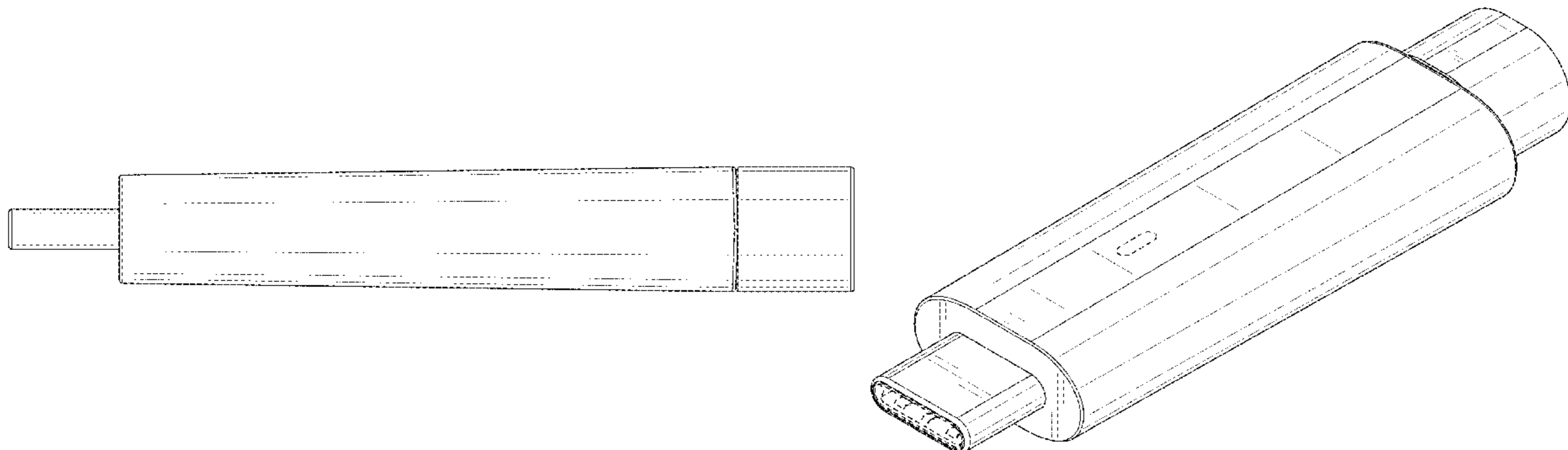
FIG. 8 is a perspective view showing a rear, bottom and left side thereof;

FIG. 9 is a perspective view showing a front, right side and bottom thereof; and,

FIG. 10 is a perspective view showing a rear, left side and top thereof.

The broken lines are shown for environmental purposes only and depict portions of the electrical connector that form no part of claimed design.

1 Claim, 8 Drawing Sheets



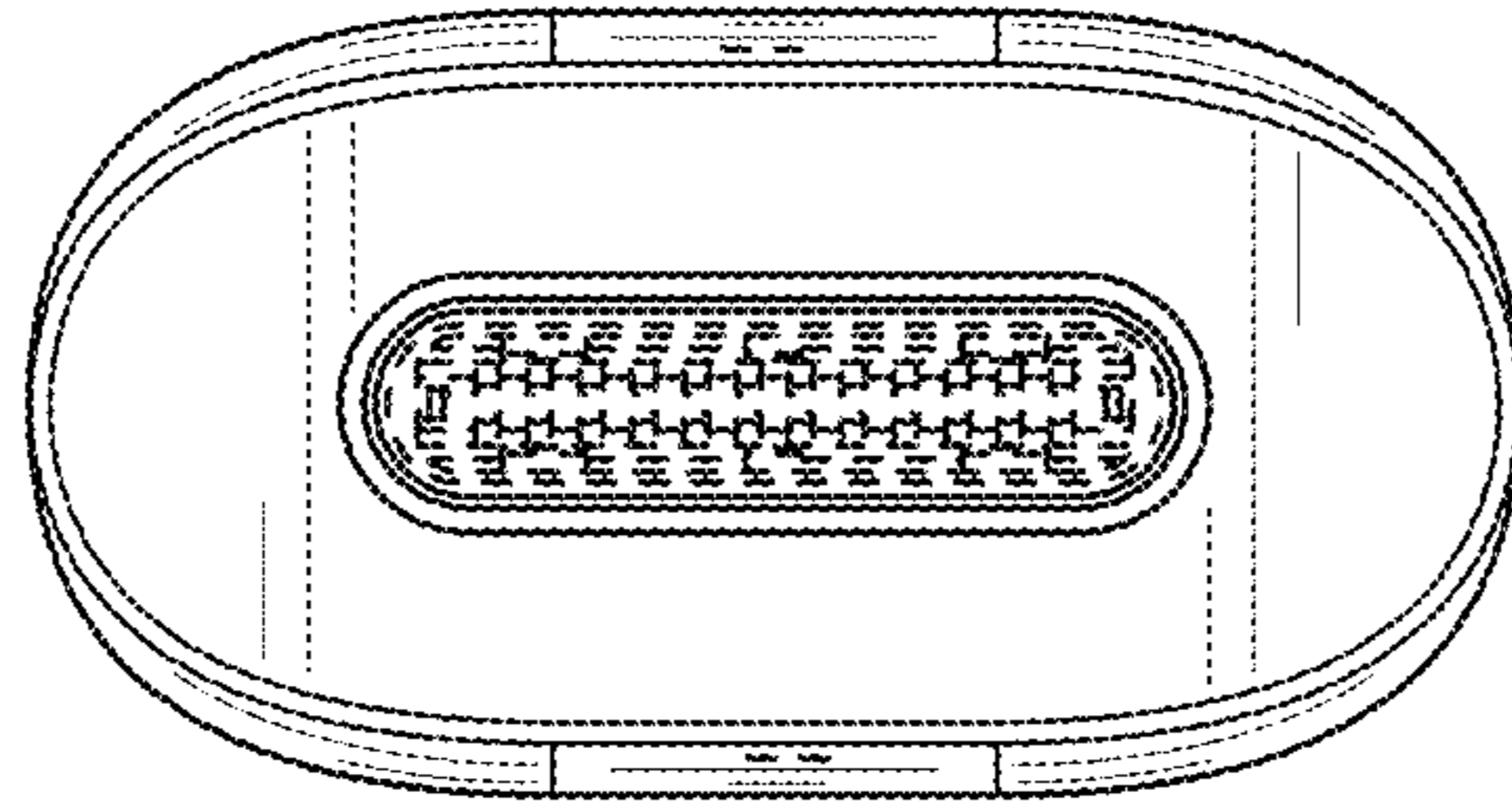


FIG. 1

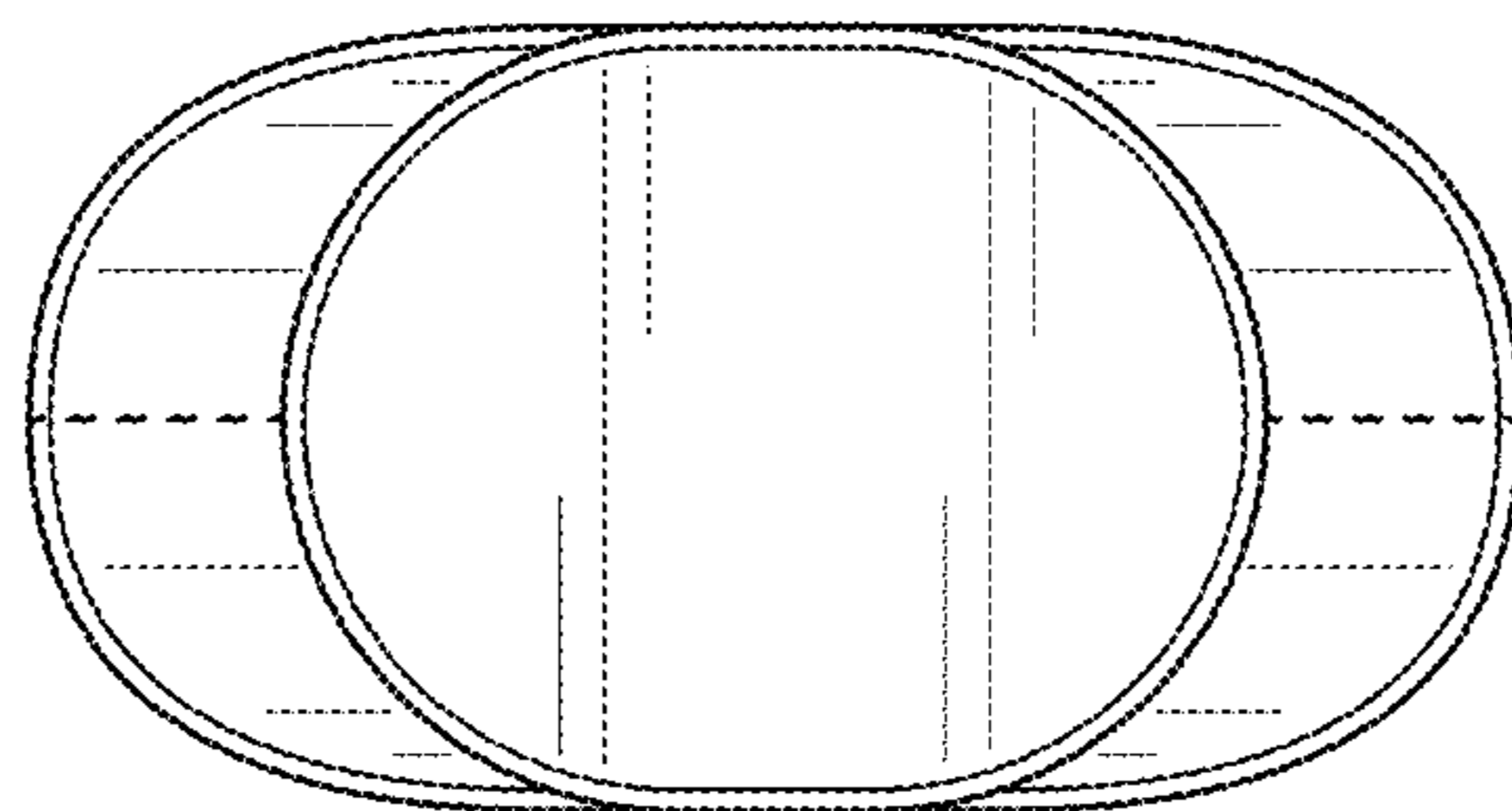


FIG. 2

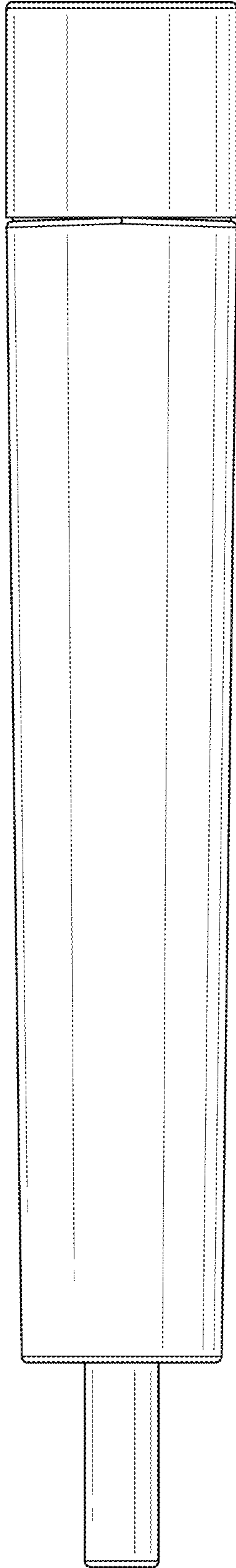


FIG. 3

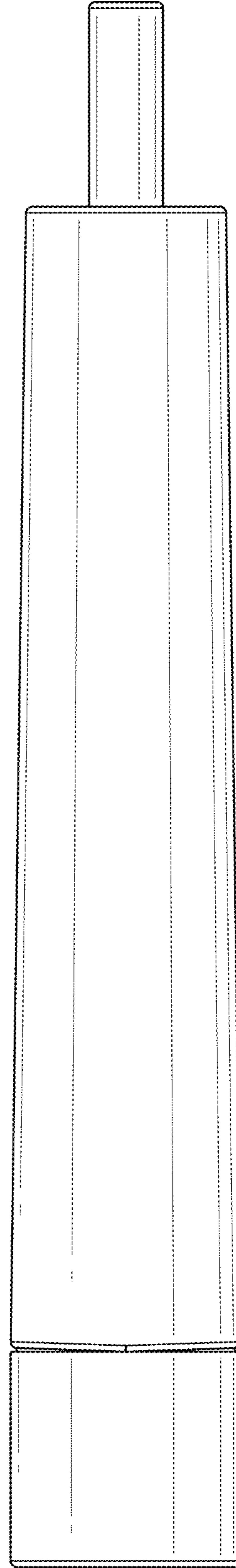


FIG. 4

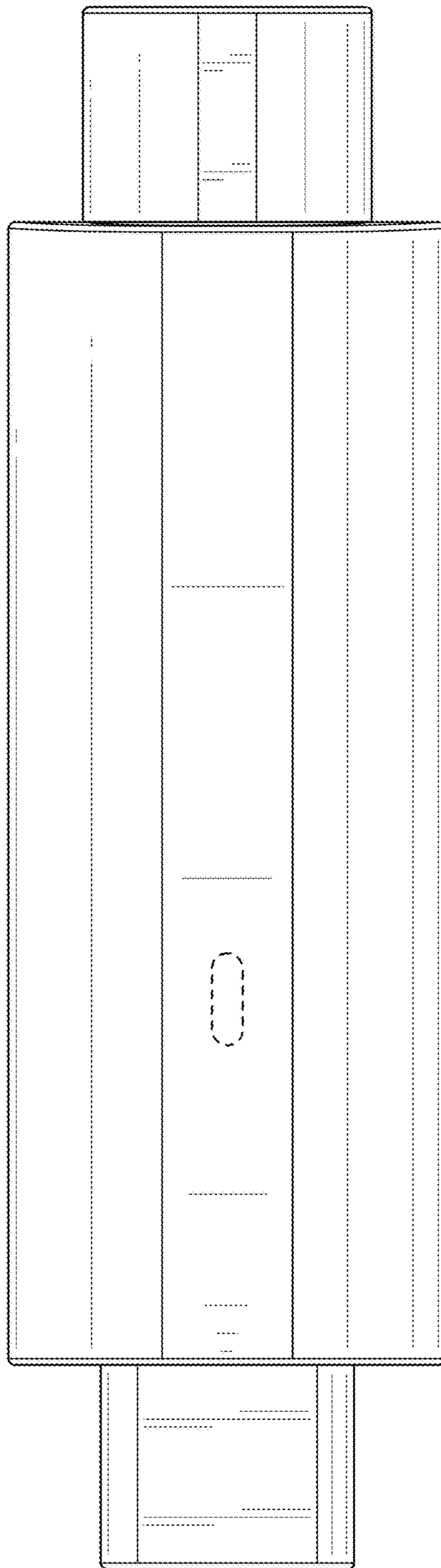


FIG. 5

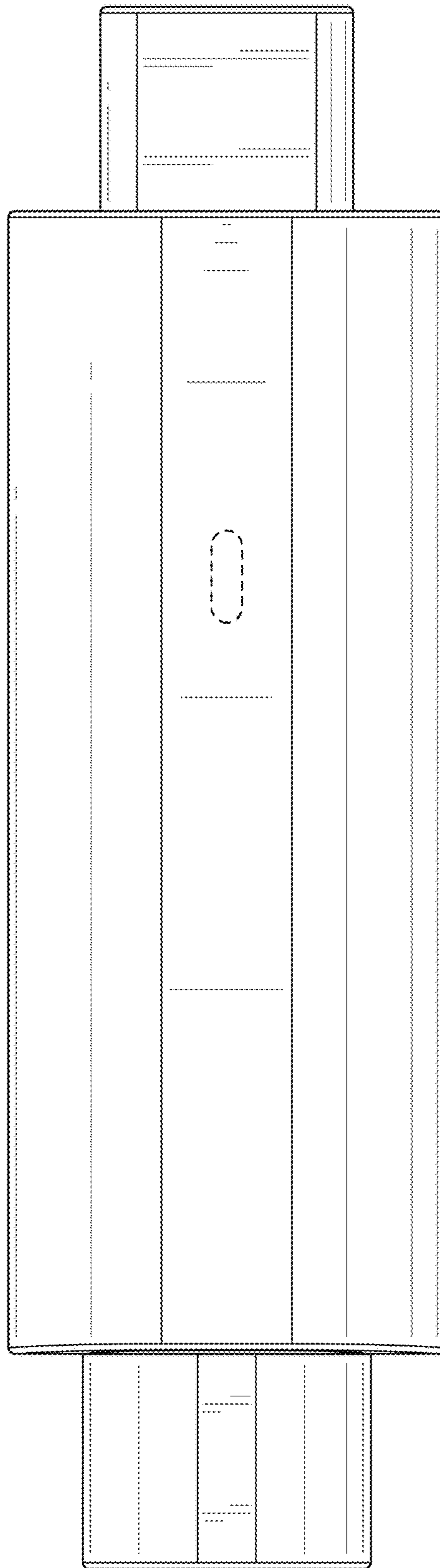


FIG. 6

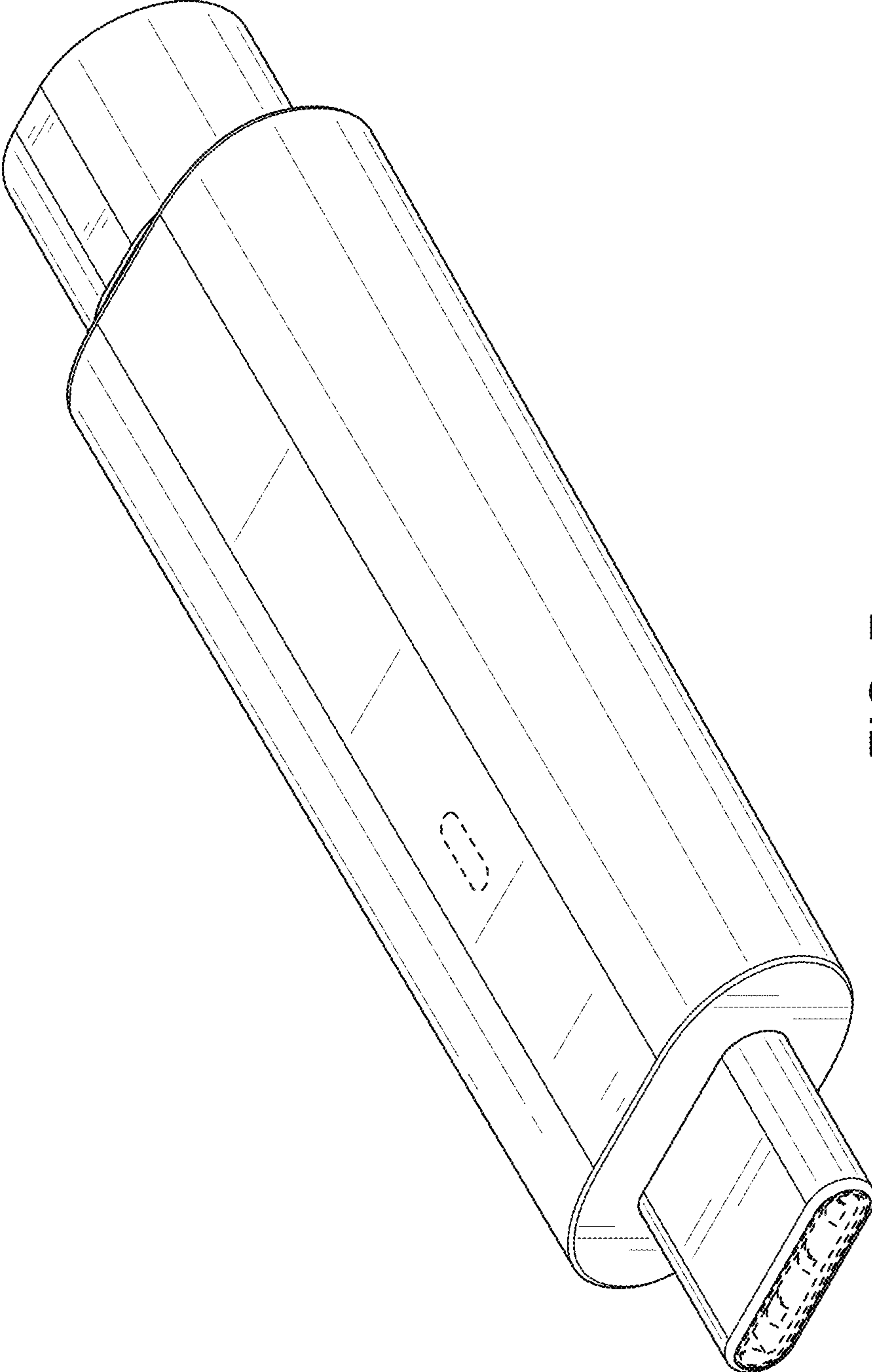


FIG. 7

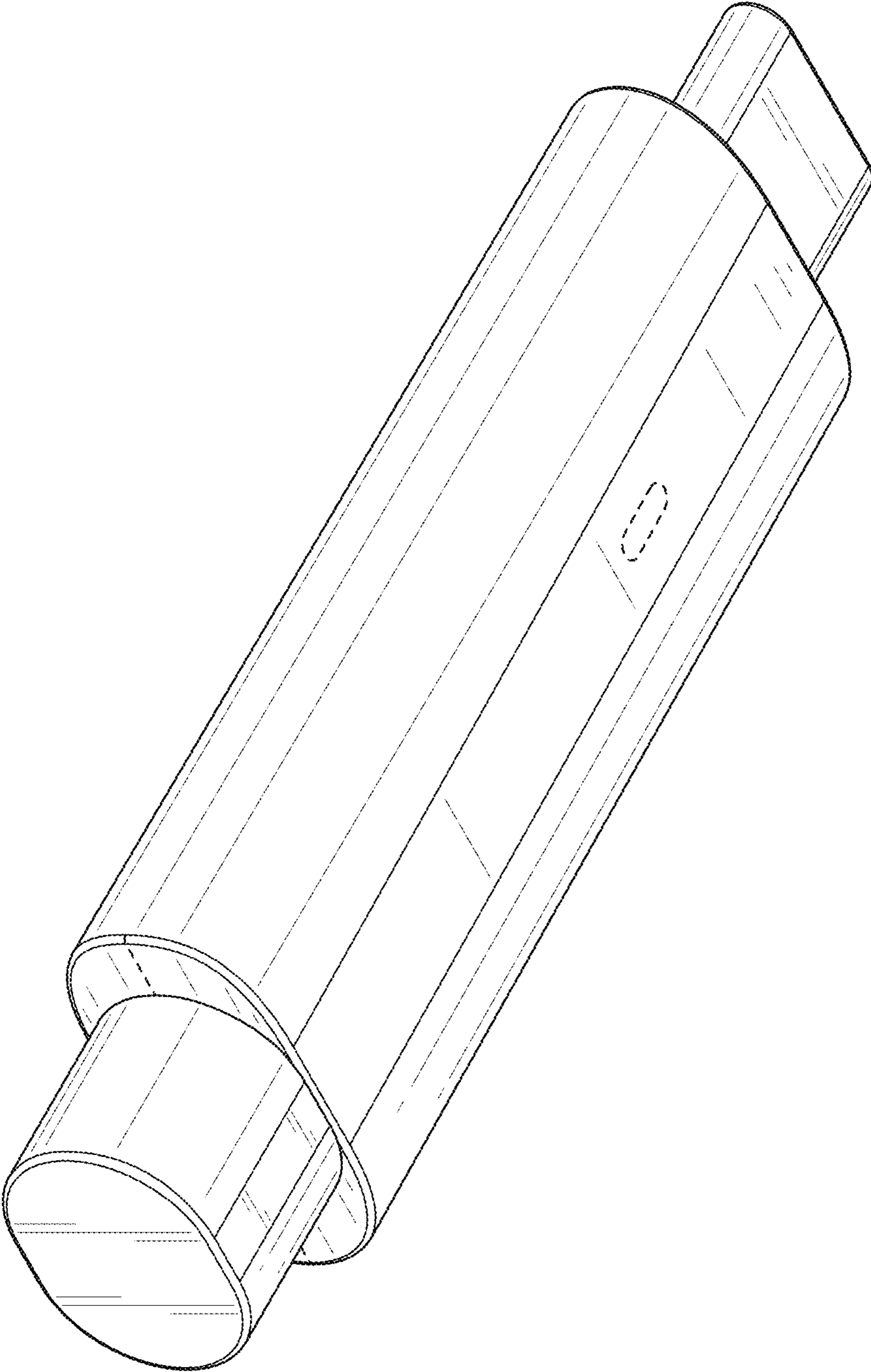


FIG. 8

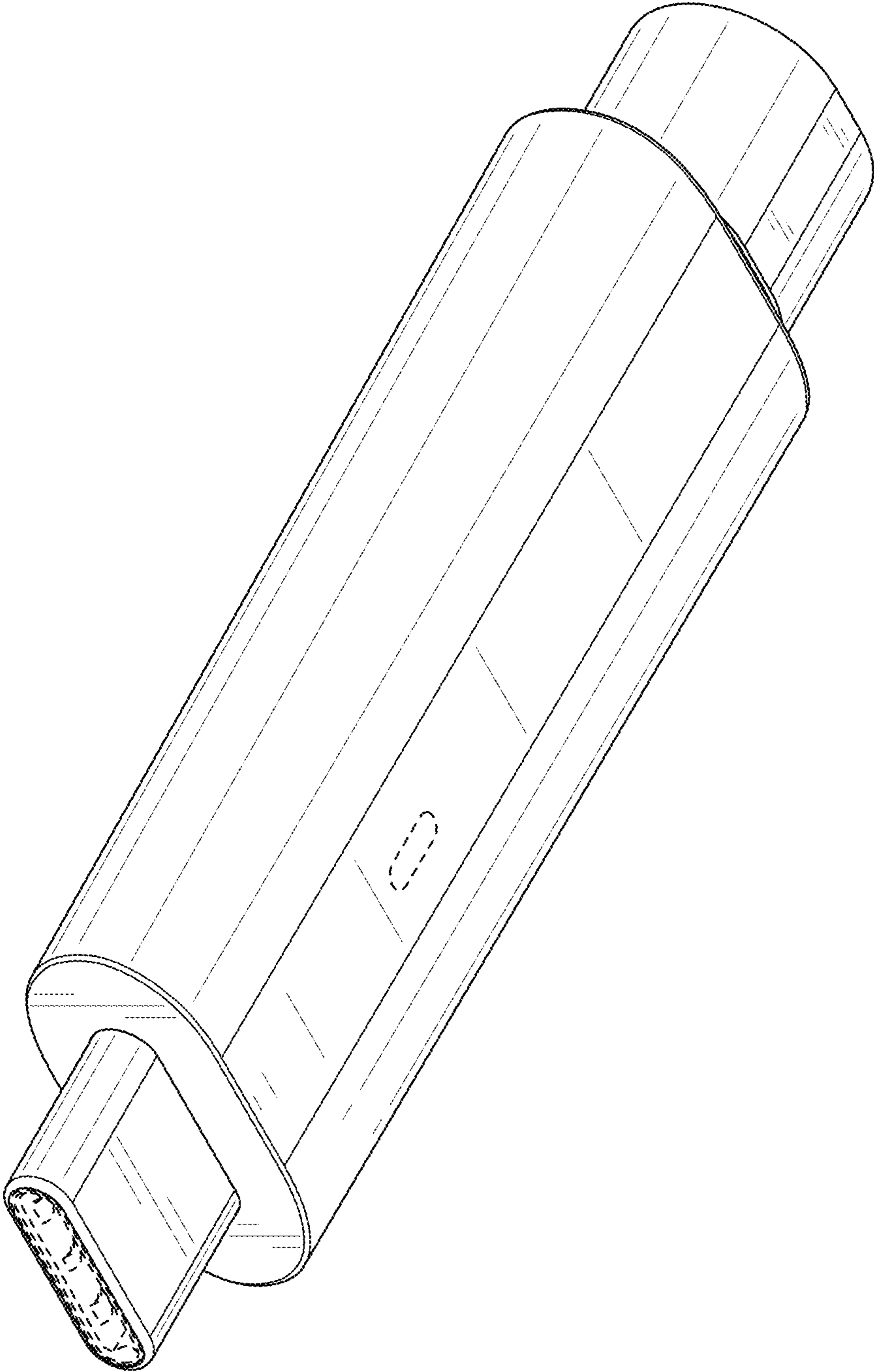


FIG. 9

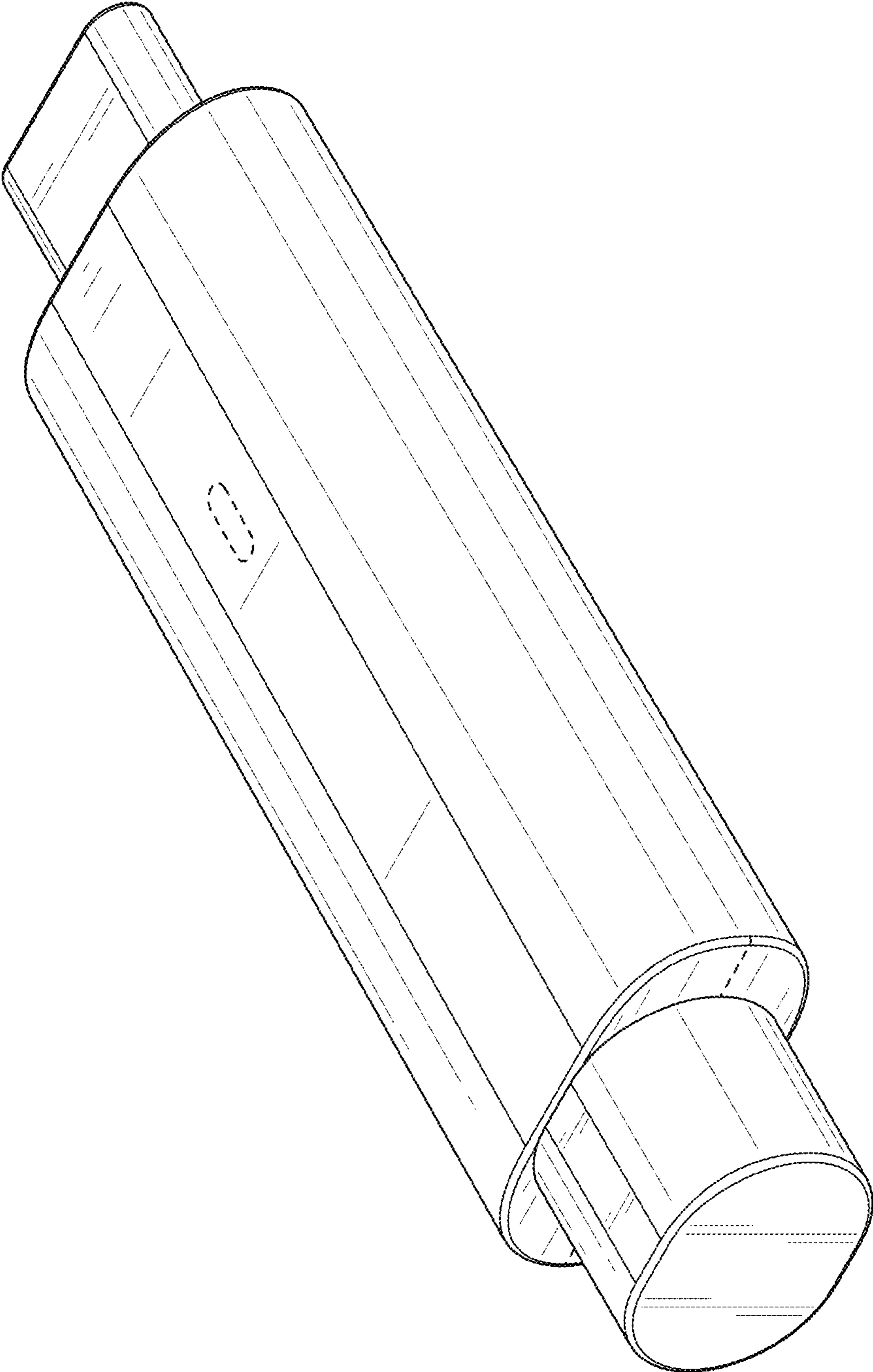


FIG. 10