



US00D801937S

(12) **United States Design Patent**
Rose

(10) **Patent No.:** **US D801,937 S**

(45) **Date of Patent:** **** Nov. 7, 2017**

(54) **DESKTOP RECEPTACLE FACEPLATE**

(71) Applicant: **Group Dekko, Inc.**, Garrett, IN (US)

(72) Inventor: **Scott E. Rose**, Auburn, IN (US)

(73) Assignee: **Group Dekko, Inc.**, Garrett, IN (US)

(**) Term: **15 Years**

(21) Appl. No.: **29/558,798**

(22) Filed: **Mar. 22, 2016**

(51) **LOC (10) Cl.** **13-03**

(52) **U.S. Cl.**
USPC **D13/139.4**

(58) **Field of Classification Search**
USPC D13/108, 110, 123, 133, 137.1-137.4,
D13/138.1-138.2, 139.1-139.8, 152-154,
D13/156, 158, 177, 146, 147;
D8/350-353, 331; D25/138, 163, 164
CPC H01R 25/00; H01R 25/006; H01R 9/00;
H01R 11/00; H01R 3/00; H05K 5/02
See application file for complete search history.

(56) **References Cited**

U.S. PATENT DOCUMENTS

- 4,705,342 A * 11/1987 Schwartz H01R 25/003
439/650
- D505,856 S * 6/2005 Kim D8/353
- D662,885 S * 7/2012 Hoffman D13/139.1
- D719,511 S * 12/2014 Dodal D13/139.1
- D721,653 S * 1/2015 Lee D13/139.3
- D730,836 S * 6/2015 Lee D13/139.3
- D731,432 S * 6/2015 Murphy D13/139.1
- D734,253 S * 7/2015 Tinaphong H02J 7/0004
D13/108
- D740,228 S * 10/2015 Page D13/139.4
- D742,825 S * 11/2015 Tsou D13/108
- D744,951 S * 12/2015 Oosterman D13/139.1

- D744,952 S * 12/2015 Ni D13/139.3
- D745,371 S * 12/2015 Trojanowski D8/350
- D755,128 S * 5/2016 Page D13/139.4
- D755,129 S * 5/2016 Page D13/139.4
- D761,732 S * 7/2016 Byrne D13/137.2
- D765,033 S * 8/2016 Oosterman D13/139.1
- D775,080 S * 12/2016 Newhouse D13/139.4
- D788,039 S * 5/2017 Page D13/139.1
- 9,706,833 B2 * 7/2017 Newhouse A47B 21/06
- 2013/0175992 A1 * 7/2013 Tinaphong H02J 7/0004
320/111

(Continued)

Primary Examiner — Rosemary K Tarcza

Assistant Examiner — Christy Nemeth

(74) *Attorney, Agent, or Firm* — Taylor IP, P.C.

(57) **CLAIM**

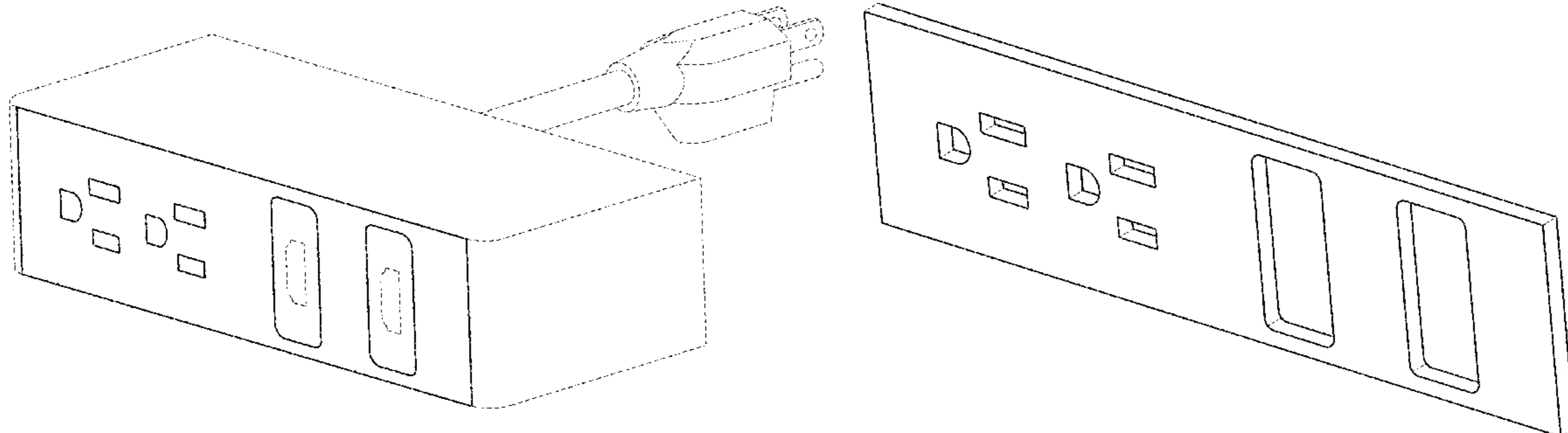
The ornamental design for a desktop receptacle faceplate, as shown and described.

DESCRIPTION

FIG. 1 is a front perspective view of a desktop receptacle faceplate, shown in the environment of a desktop receptacle; FIG. 2 is a front view of a desktop receptacle faceplate, shown in the environment of a desktop receptacle; FIG. 3 is a rear perspective view of a desktop receptacle faceplate, shown in the environment of a desktop receptacle; FIG. 4 is a bottom view of a desktop receptacle faceplate, shown in the environment of a desktop receptacle, the top view omitted for being a mirror image thereof; FIG. 5 is a perspective view of a desktop receptacle faceplate, shown separately for ease of illustration; and, FIG. 6 is a front view of a desktop receptacle faceplate, shown separately for ease of illustration.

The broken lines in the drawings are for the purpose of illustrating environmental structure and portions of the desktop receptacle faceplate that form no part of the claimed design.

1 Claim, 6 Drawing Sheets



(56)

References Cited

U.S. PATENT DOCUMENTS

2015/0303821 A1* 10/2015 Lee H01R 25/006
363/146
2016/0285220 A1* 9/2016 Haw H02G 3/16
2016/0294127 A1* 10/2016 Mouradian H01R 25/006
2017/0063009 A1* 3/2017 Los H01R 27/02
2017/0156490 A1* 6/2017 Newhouse A47B 21/06

* cited by examiner

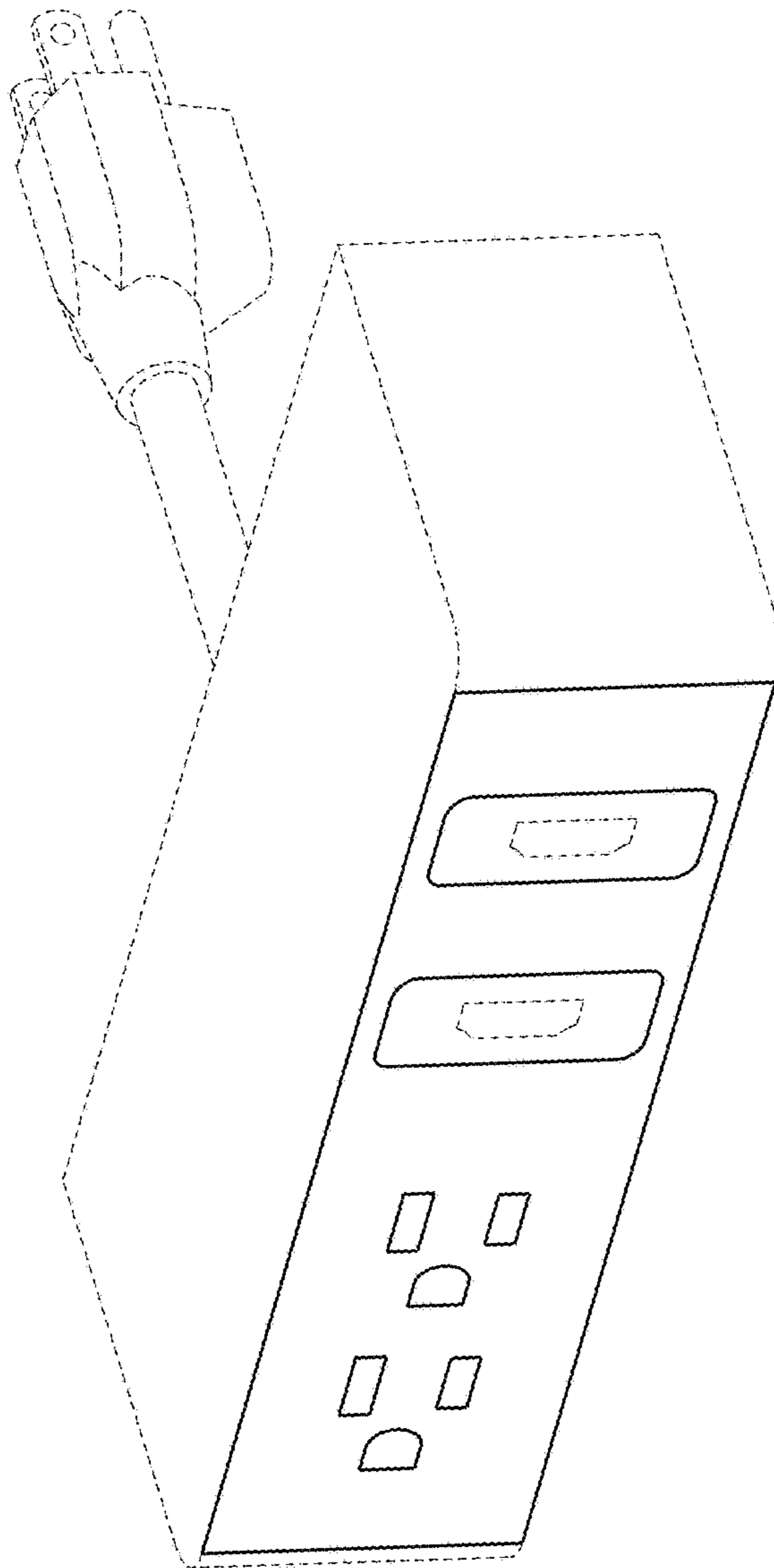


Fig. 1

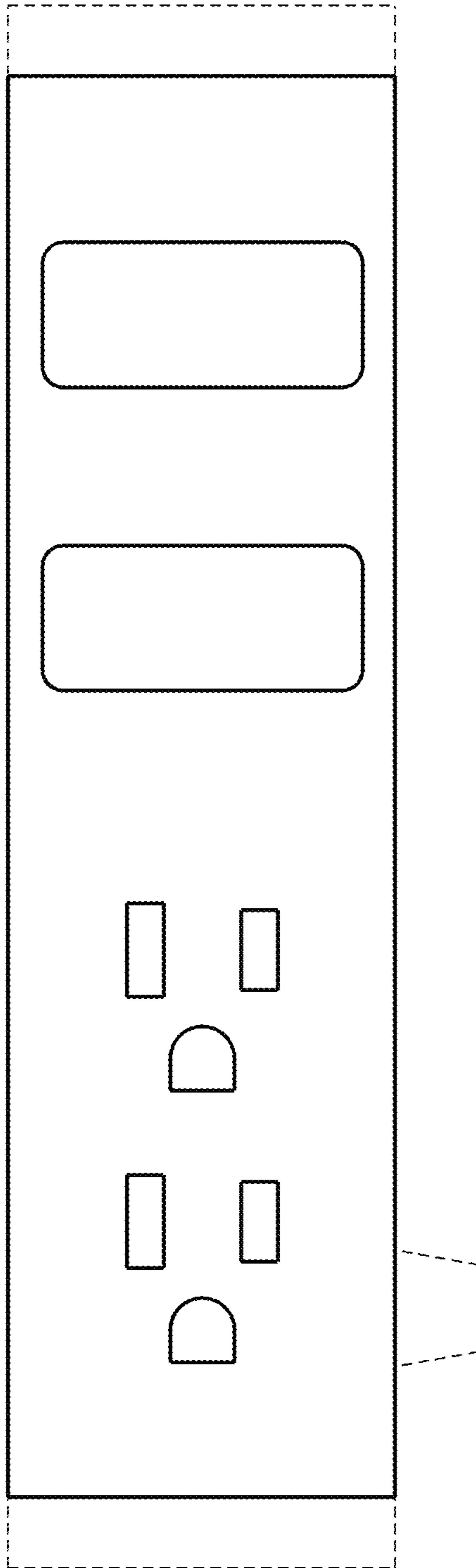


Fig. 2

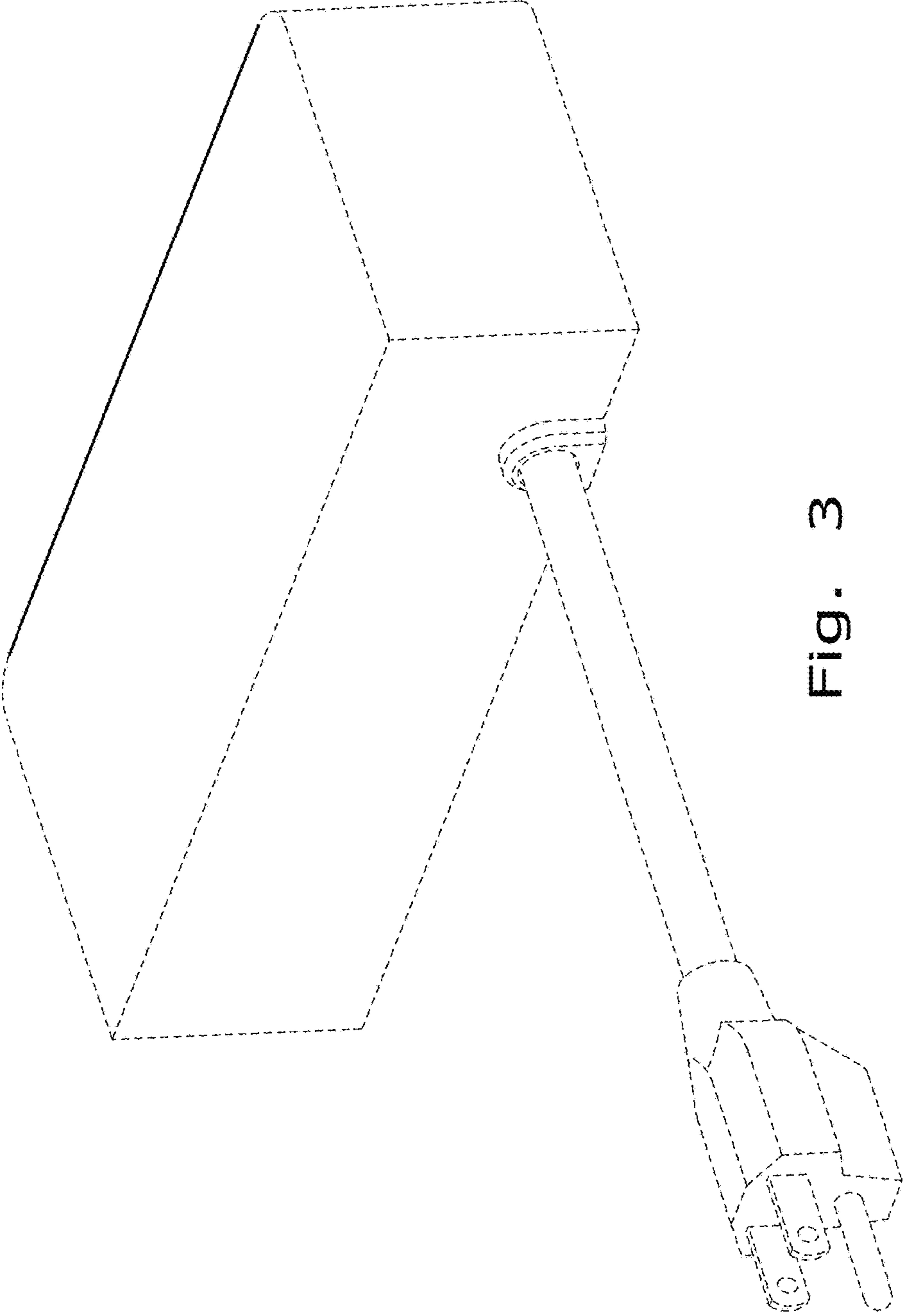


Fig. 3

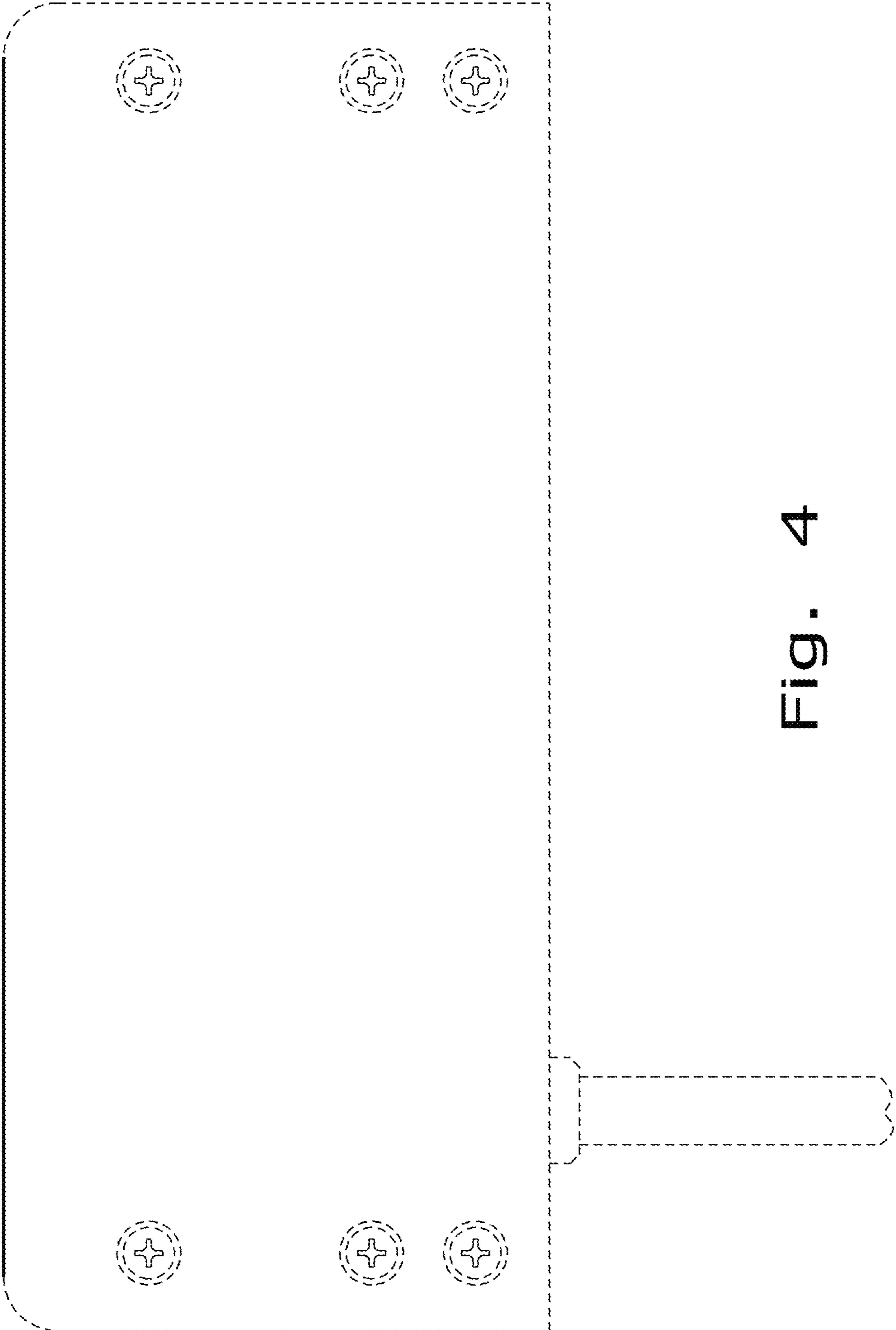


Fig. 4

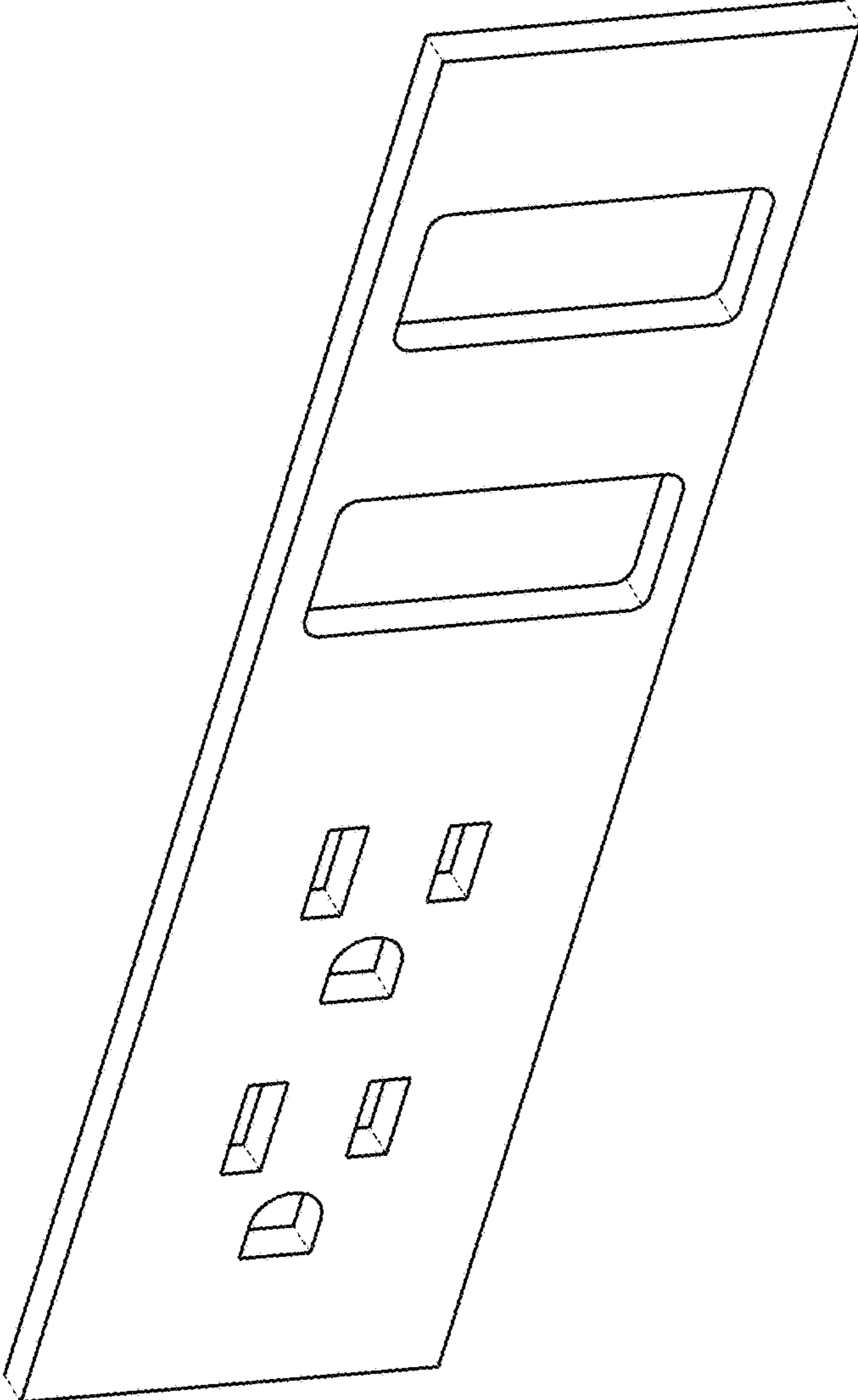


FIG. 5

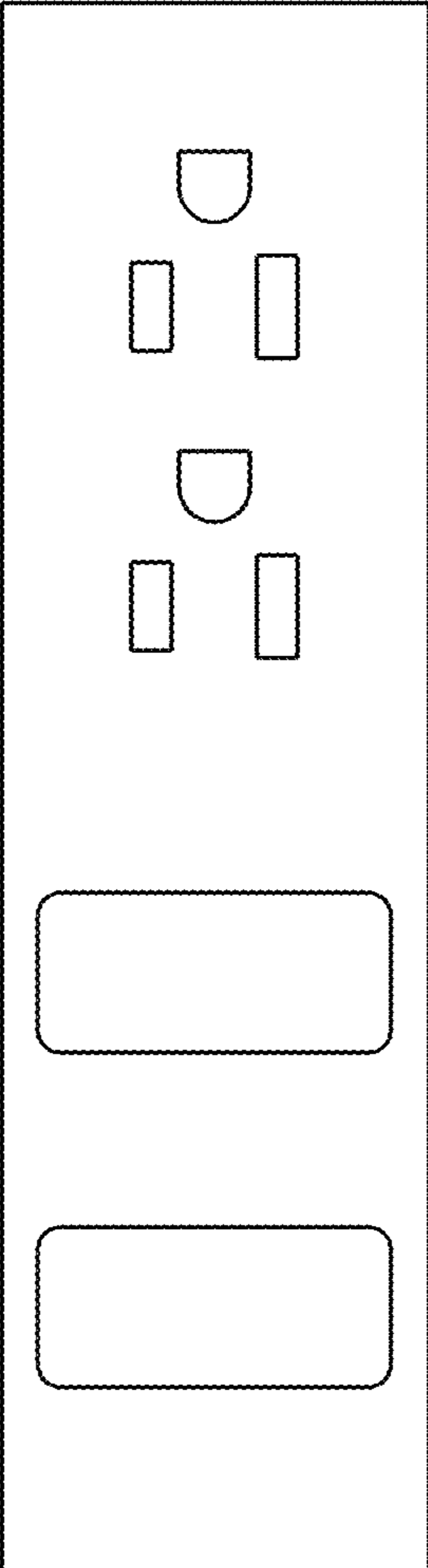


Fig. 6