



US00D801935S

(12) **United States Design Patent** (10) **Patent No.:** **US D801,935 S**
Herr et al. (45) **Date of Patent:** **** Nov. 7, 2017**

(54) **DOCK**
(71) Applicant: **Fuelbox, Inc.**, Santa Barbara, CA (US)
(72) Inventors: **Robert Herr**, Santa Barbara, CA (US);
Daniel Friedman, Santa Barbara, CA (US); **John Stump**, Santa Barbara, CA (US); **Paul Beierle**, Carpinteria, CA (US); **Jon Frost**, Santa Barbara, CA (US)

(73) Assignee: **Fuelbox, Inc.**, Santa Barbara, CA (US)

(**) Term: **14 Years**

(21) Appl. No.: **29/524,029**

(22) Filed: **Apr. 15, 2015**

(51) **LOC (10) Cl.** **13-03**

(52) **U.S. Cl.**
USPC **D13/137.2**

(58) **Field of Classification Search**
USPC D13/137.1–137.2, 139.1, 152, 108, 156,
D13/110, 107, 177; D26/26; 174/66
CPC B66C 1/34
See application file for complete search history.

(56) **References Cited**

U.S. PATENT DOCUMENTS

D463,367 S * 9/2002 Luu D13/139.1
7,247,793 B2 * 7/2007 Hinkson B66C 1/34
174/66
D619,276 S * 7/2010 Choi D26/26
D638,688 S * 5/2011 Sheremeta D13/177
D639,810 S * 6/2011 Hwang D13/107
D705,161 S * 5/2014 Chen D13/110
D721,649 S * 1/2015 Tsai D13/108
D753,063 S * 4/2016 Gelonese D13/137.2

D755,127 S * 5/2016 Wong D13/137.2
D765,037 S * 8/2016 Hebert D13/156
D769,819 S * 10/2016 Banayan D13/110
D775,078 S * 12/2016 Peng D13/137.2
D776,057 S * 1/2017 Burke D13/137.2
D781,241 S * 3/2017 Knight D13/156
D784,258 S * 4/2017 Vienna D13/108

* cited by examiner

Primary Examiner — Rhea Shields

(74) *Attorney, Agent, or Firm* — Steven C. Sereboff; M. Kala Sarvaiya; SoCal IP Law Gorup LLP

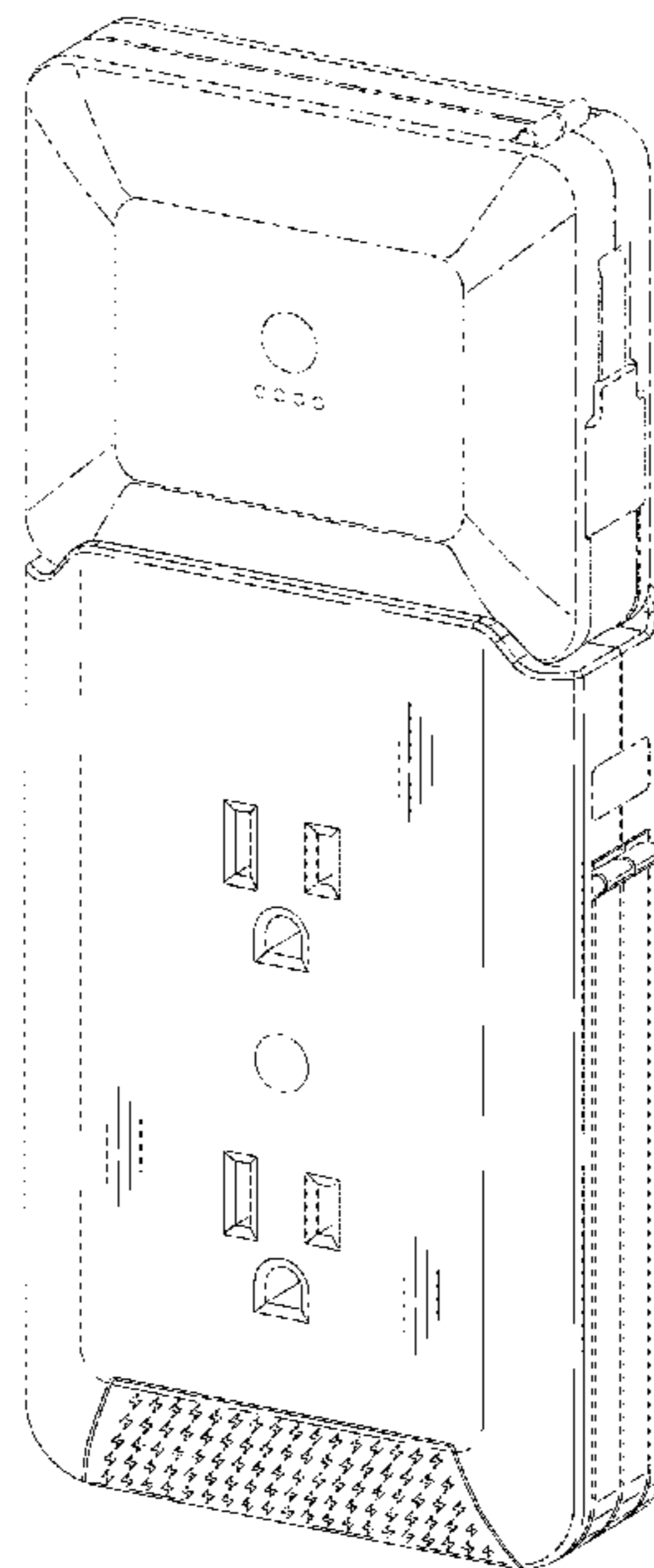
(57) **CLAIM**

The ornamental design for a dock, as shown and described.

DESCRIPTION

FIG. 1 is a front, top and left side perspective view of a dock, shown in an environment;
FIG. 2 is a front, top and left side perspective view thereof, without environment;
FIG. 3 is a rear, top and right perspective view of the dock, shown in an environment;
FIG. 4 is a rear, top and right perspective view thereof, without environment;
FIG. 5 is a front view thereof;
FIG. 6 is a rear view thereof;
FIG. 7 is right side view thereof;
FIG. 8 is a left side view thereof;
FIG. 9 is a top plan view thereof; and,
FIG. 10 is a bottom plan view thereof.
In the drawings, the broken lines are for the purpose of illustrating environment only and form no part of the claimed design.

1 Claim, 5 Drawing Sheets



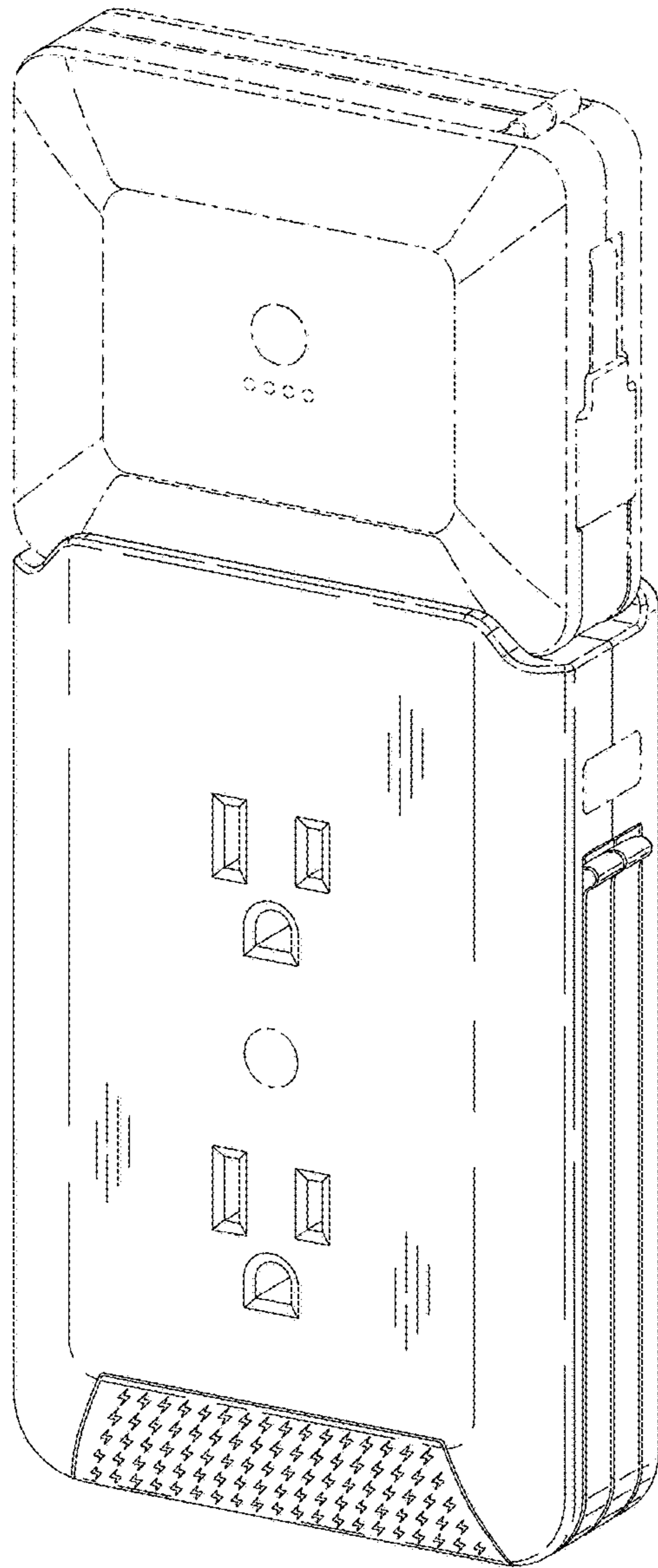


Fig. 1

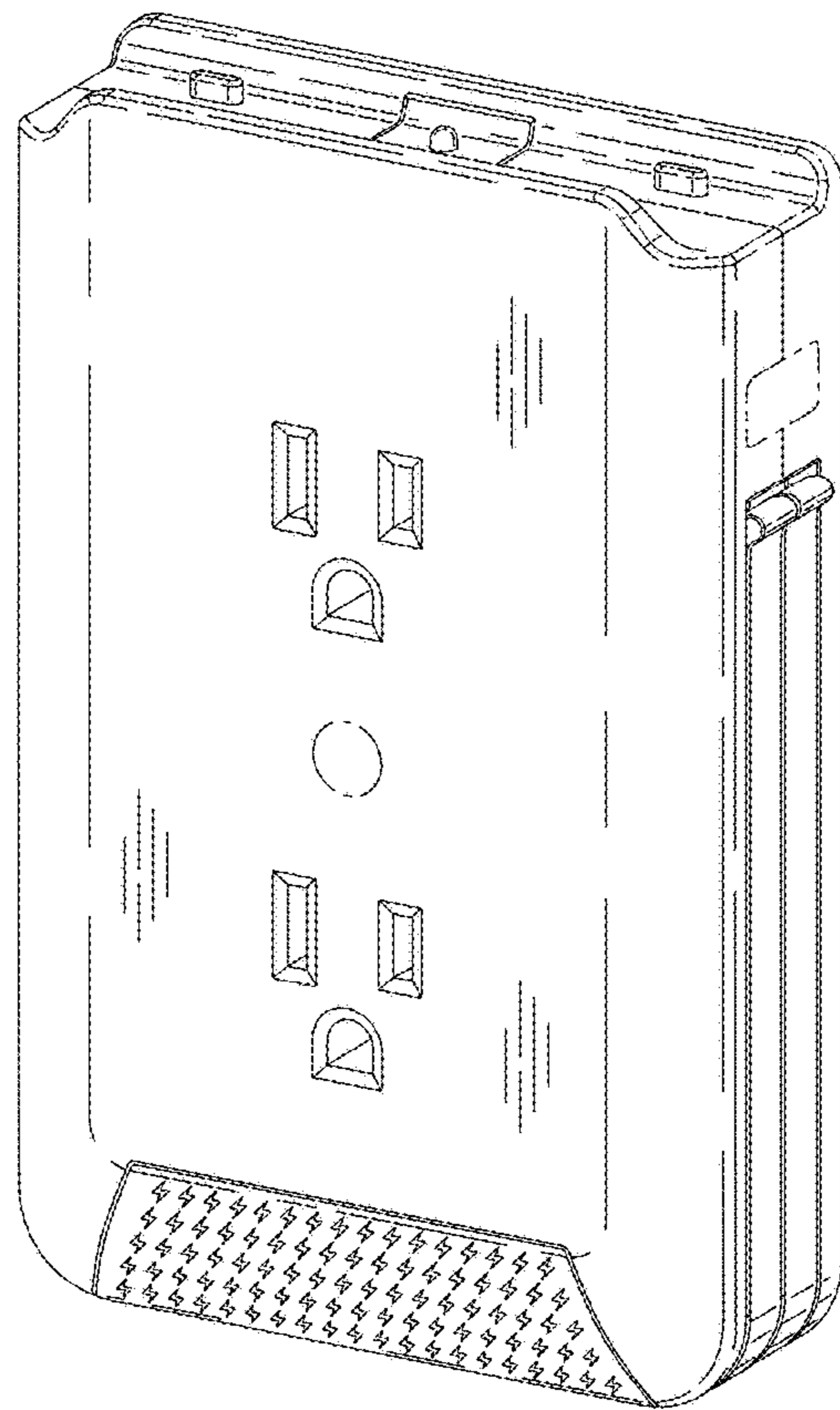


Fig. 2

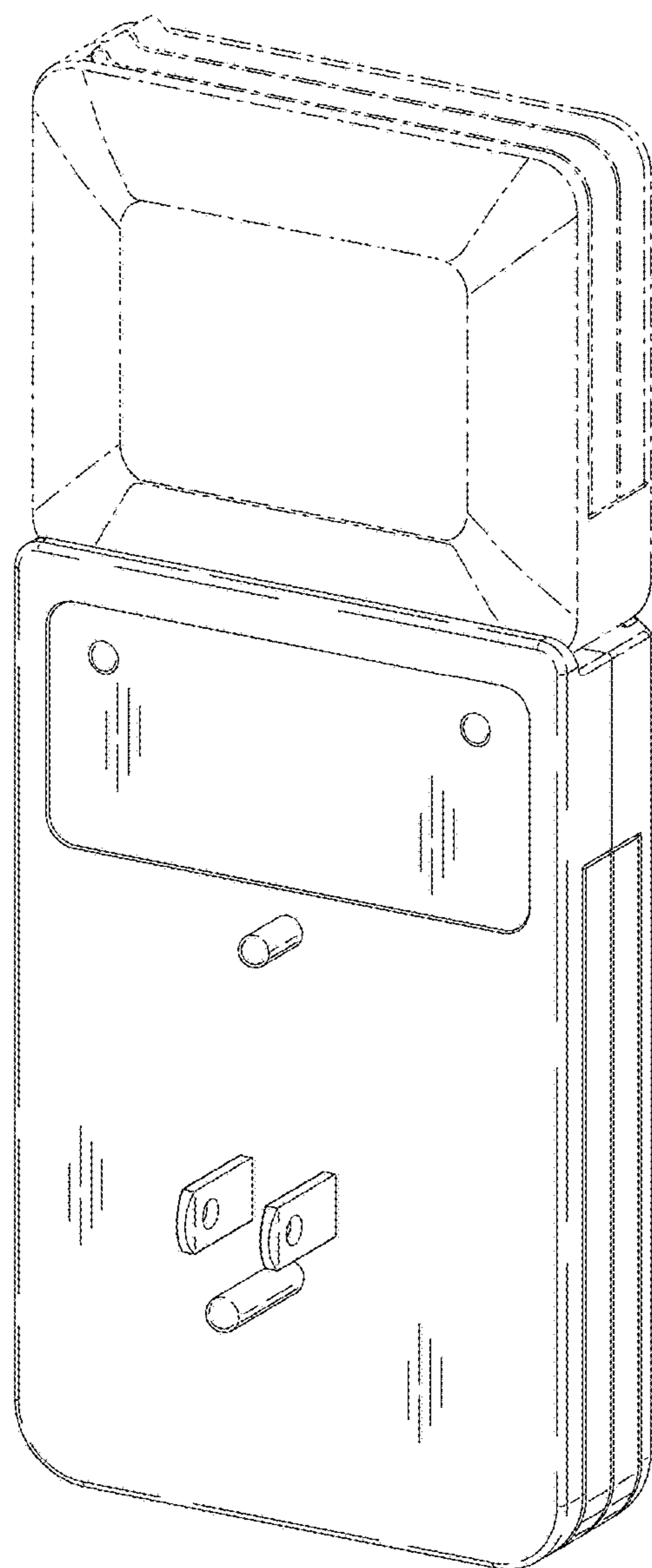


Fig. 3

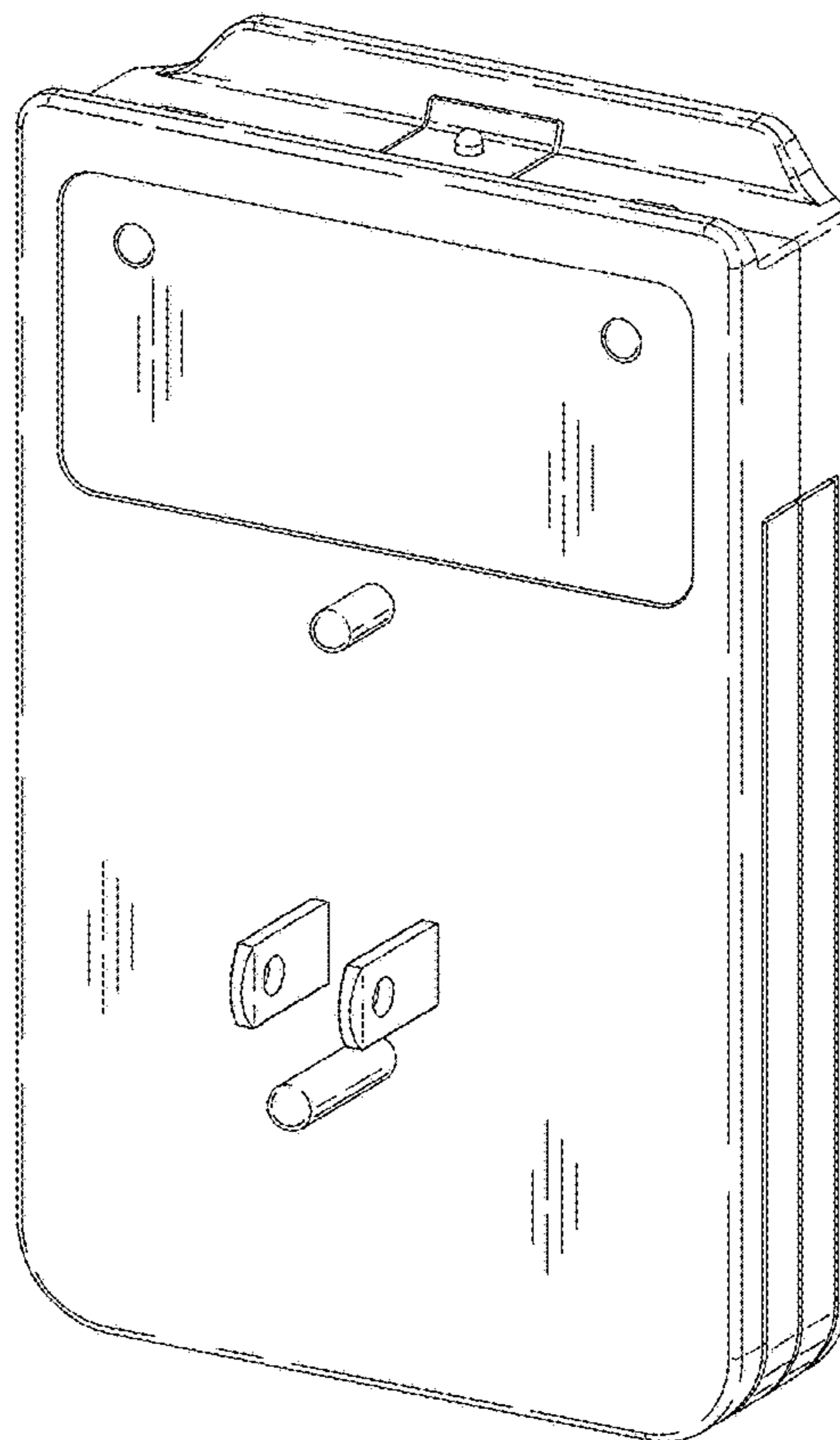


Fig. 4

Fig. 6

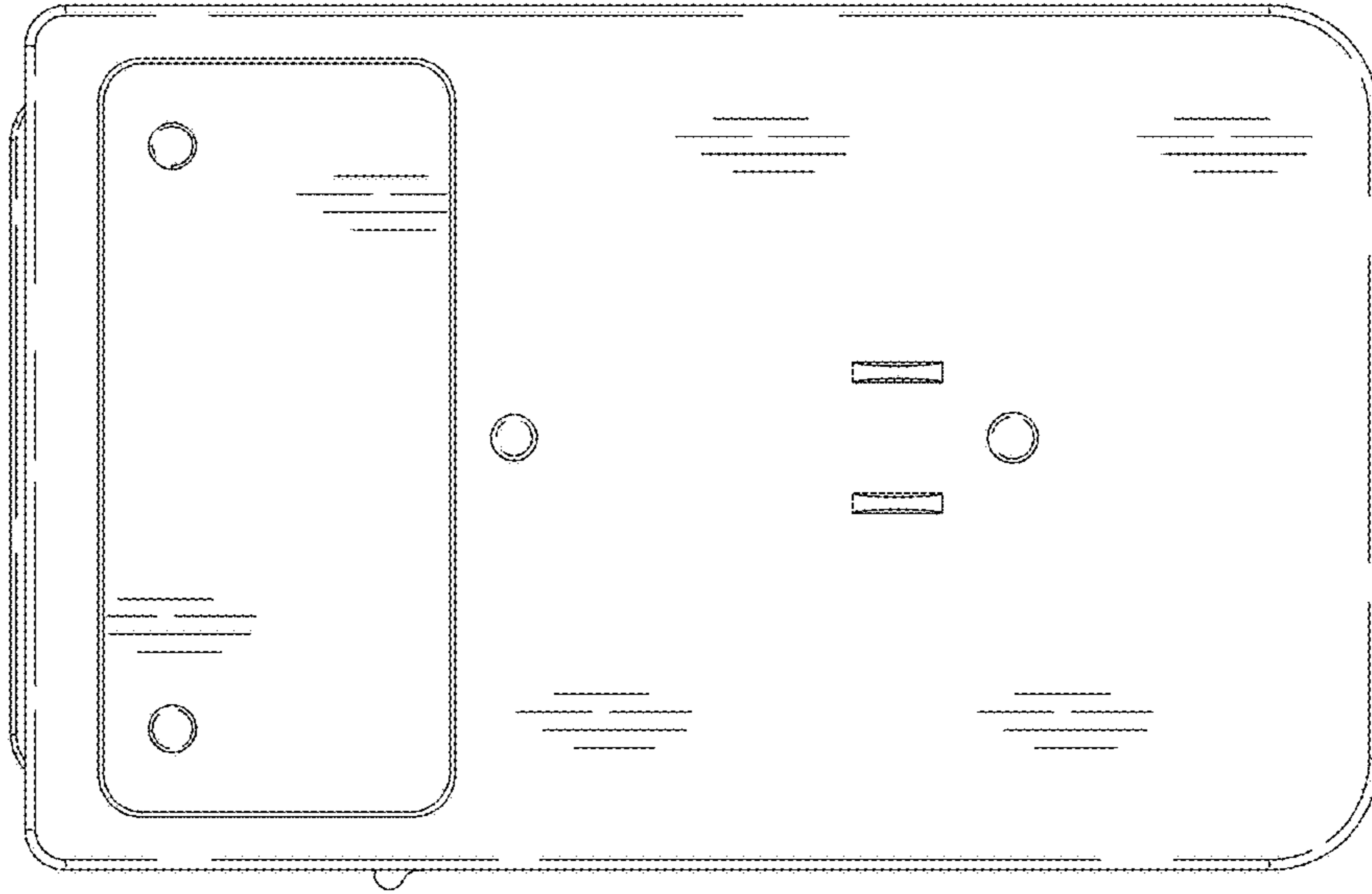


Fig. 5

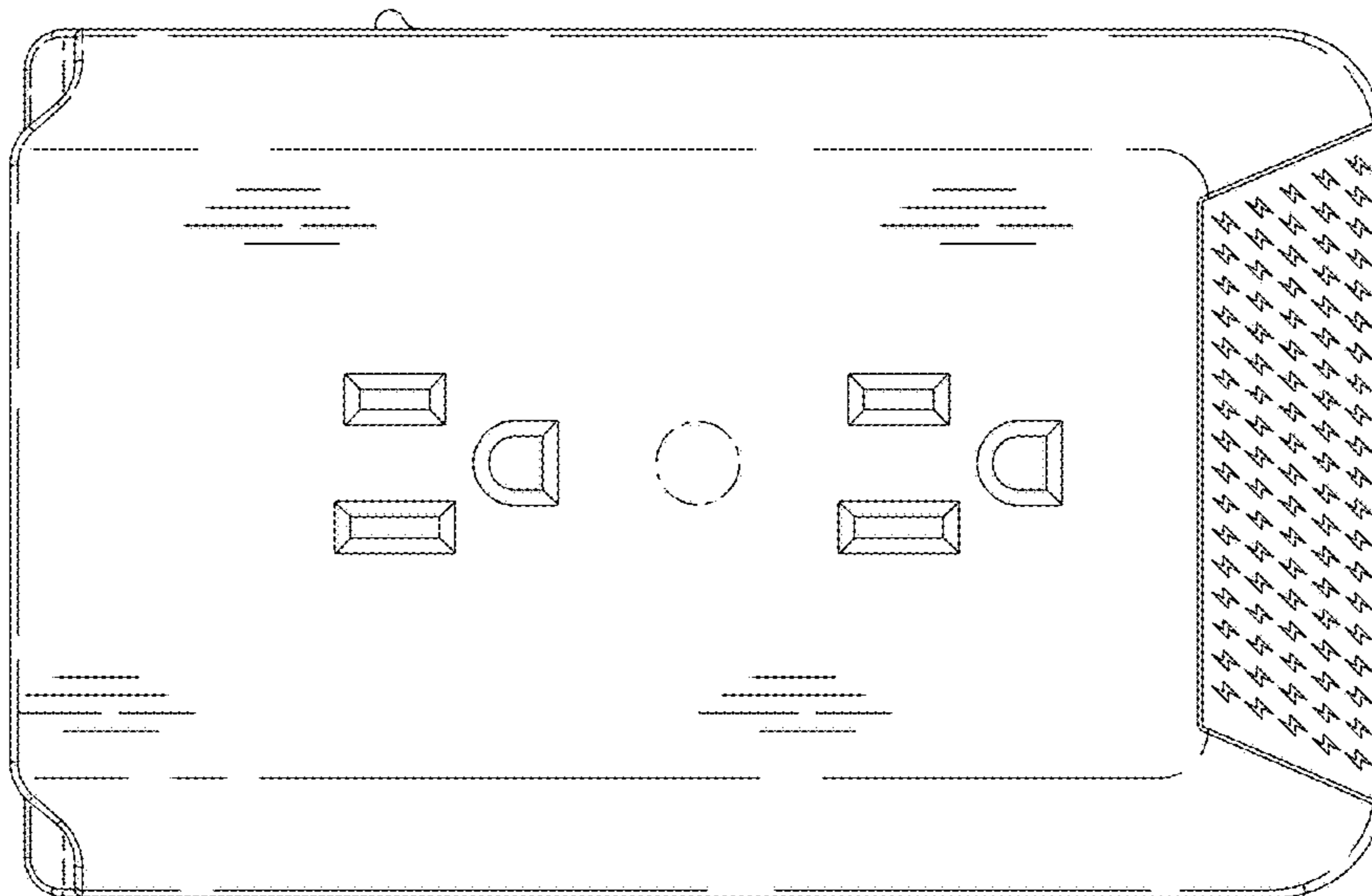


Fig. 8

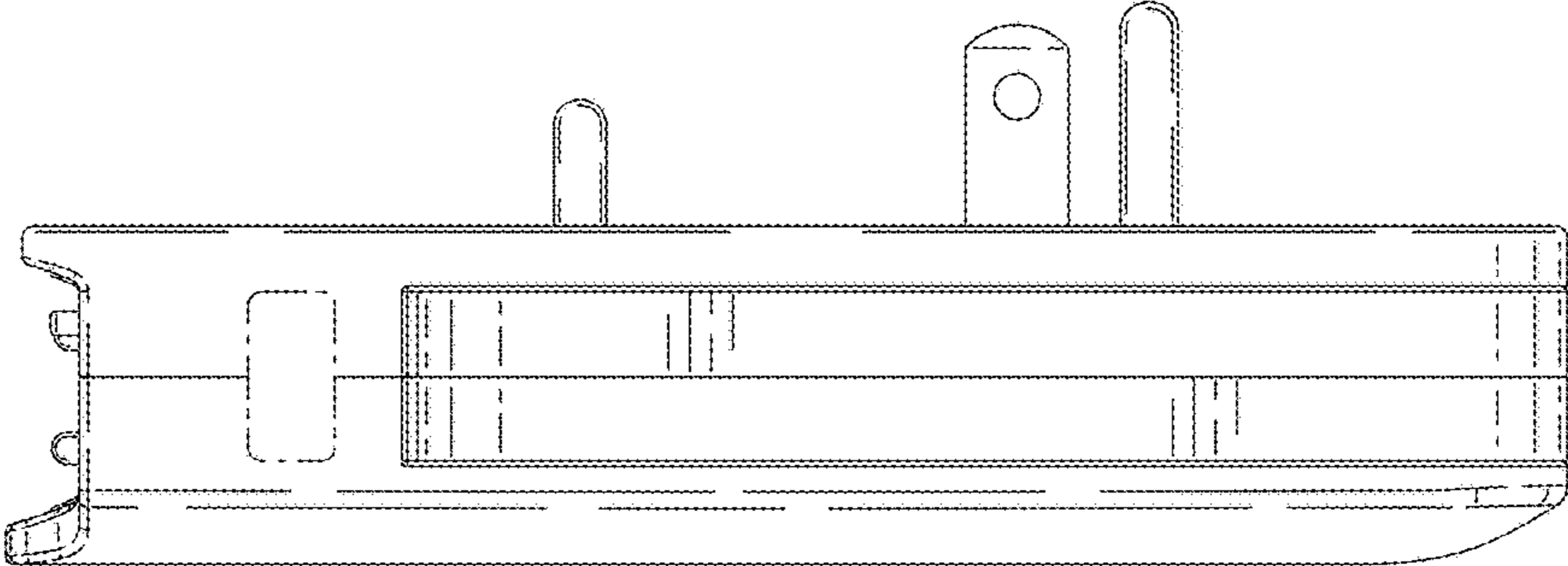


Fig. 7

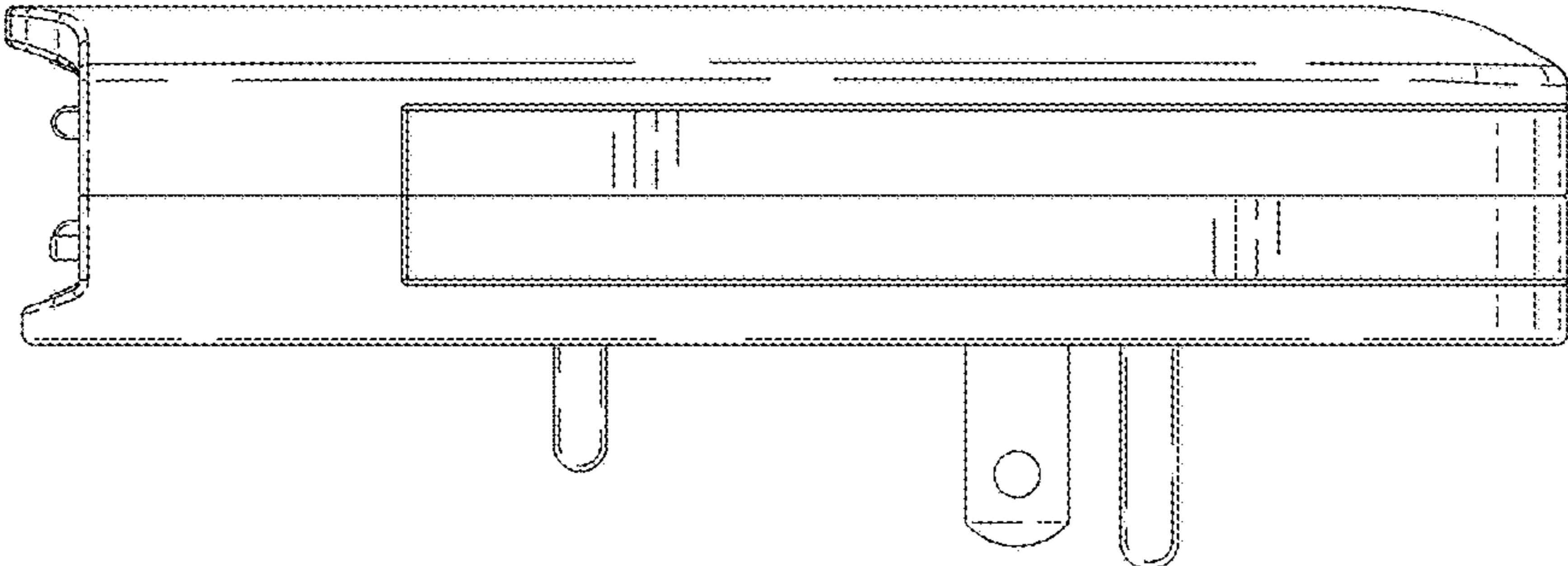


Fig. 9

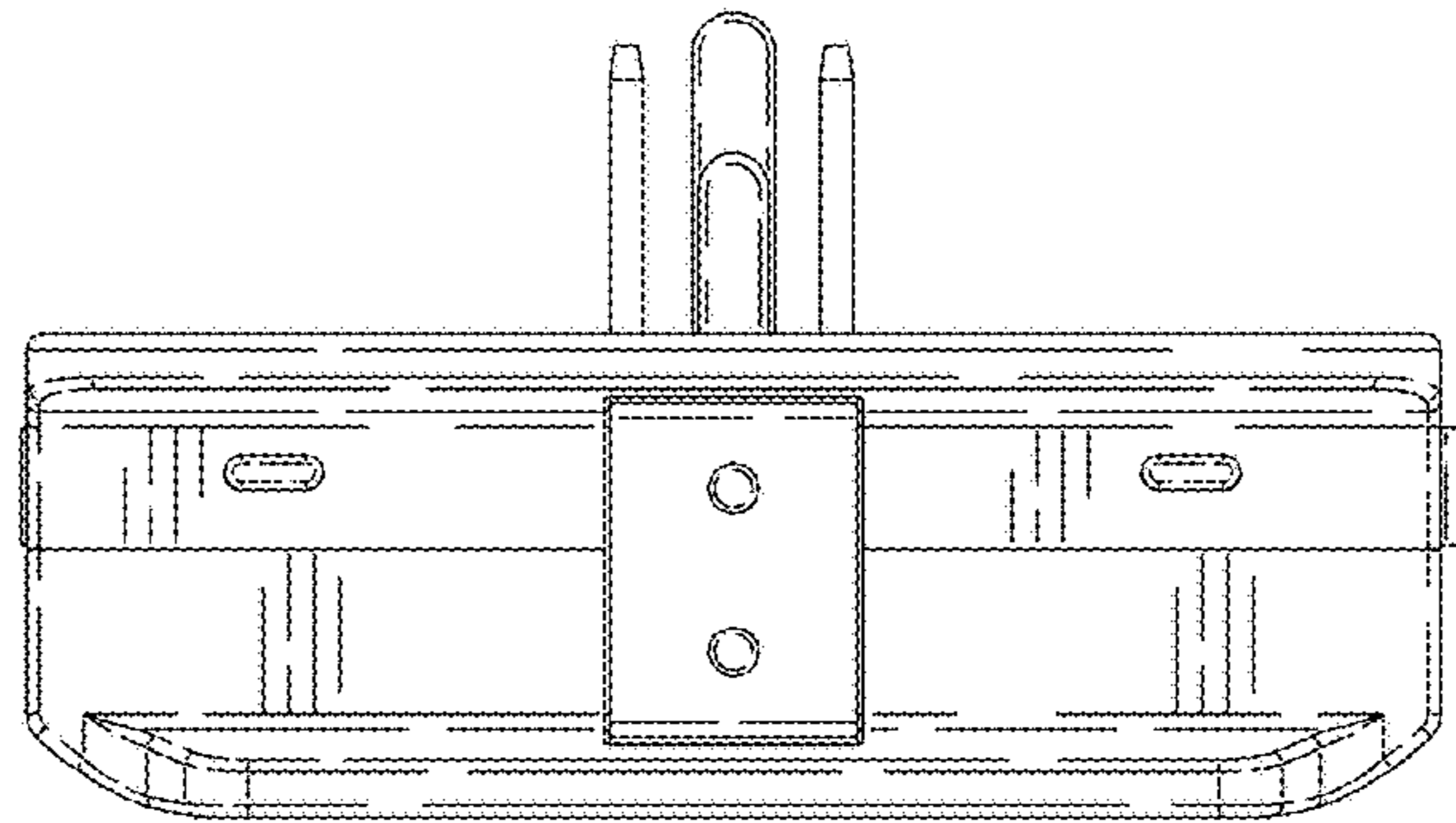


Fig. 10

