



US00D801932S

(12) **United States Design Patent**  
**Sasaki**

(10) **Patent No.:** **US D801,932 S**

(45) **Date of Patent:** **\*\* \*Nov. 7, 2017**

(54) **ELECTRICAL CONNECTOR**

G02B 6/36; G02B 6/32; G02B 6/26;  
G02B 6/24; G02B 6/00

See application file for complete search history.

(71) Applicant: **HOSIDEN CORPORATION**, Osaka  
(JP)

(72) Inventor: **Daisuke Sasaki**, Osaka (JP)

(73) Assignee: **HOSIDEN CORPORATION**, Osaka  
(JP)

(\*) Notice: This patent is subject to a terminal disclaimer.

(\*\*) Term: **15 Years**

(21) Appl. No.: **29/576,813**

(22) Filed: **Sep. 7, 2016**

(30) **Foreign Application Priority Data**

Mar. 8, 2016 (JP) ..... 2016-005159

(51) **LOC (10) Cl.** ..... **13-03**

(52) **U.S. Cl.**  
USPC ..... **D13/133**

(58) **Field of Classification Search**

USPC ..... D13/101, 102, 103, 107, 108, 110, 118,  
D13/119, 123, 133, 134, 135, 146, 147,  
D13/148, 149, 150, 151, 153, 154, 155,  
D13/156, 173, 184, 199

CPC ..... H01R 13/40; H01R 13/64; H01R 13/66;  
H01R 4/00; H01R 4/60; H01R 4/66;  
H01R 13/00; H01R 13/44; H01R 13/52;  
H01R 13/58; H01R 13/62; H01R 24/38;  
H01R 43/00; H01R 43/18; H01R 43/22;  
G02B 6/381; G02B 6/4442; G02B 6/42;  
G02B 6/40; G02B 6/3897; G02B 6/38;

(56) **References Cited**

U.S. PATENT DOCUMENTS

5,871,377	A *	2/1999	Sato	.....	H01R 13/115
					439/611
6,224,428	B1 *	5/2001	Chen	.....	H01R 33/9655
					439/188
6,623,277	B1 *	9/2003	Zhu	.....	H01R 24/50
					439/63
6,932,614	B1 *	8/2005	Kan	.....	H01R 24/50
					439/580
7,651,344	B2 *	1/2010	Wu	.....	H01R 13/6585
					439/626

(Continued)

OTHER PUBLICATIONS

Uxcell 5pcs, posted at Amazon.com, posted on Jul. 29, 2016 ,  
[online], [site visited May 20, 2017]. Available from Internet,  
<<https://www.amazon.com/uxcell-Female-Flange-Chassis-Adapter/dp/B00NQA1EPQ>>.\*

(Continued)

*Primary Examiner* — Mary Ann Calabrese

*Assistant Examiner* — Catherine Ho

(74) *Attorney, Agent, or Firm* — Greenblum & Bernstein,  
P.L.C.

(57) **CLAIM**

I claim the ornamental design for an electrical connector, as shown and described.

**DESCRIPTION**

FIG. 1 is a top plan view of an electrical connector, showing my new design;

FIG. 2 is a front elevational view thereof;

FIG. 3 is a bottom view thereof;

FIG. 4 is a right side elevational view thereof;

FIG. 5 is a left side elevational view thereof;

(Continued)

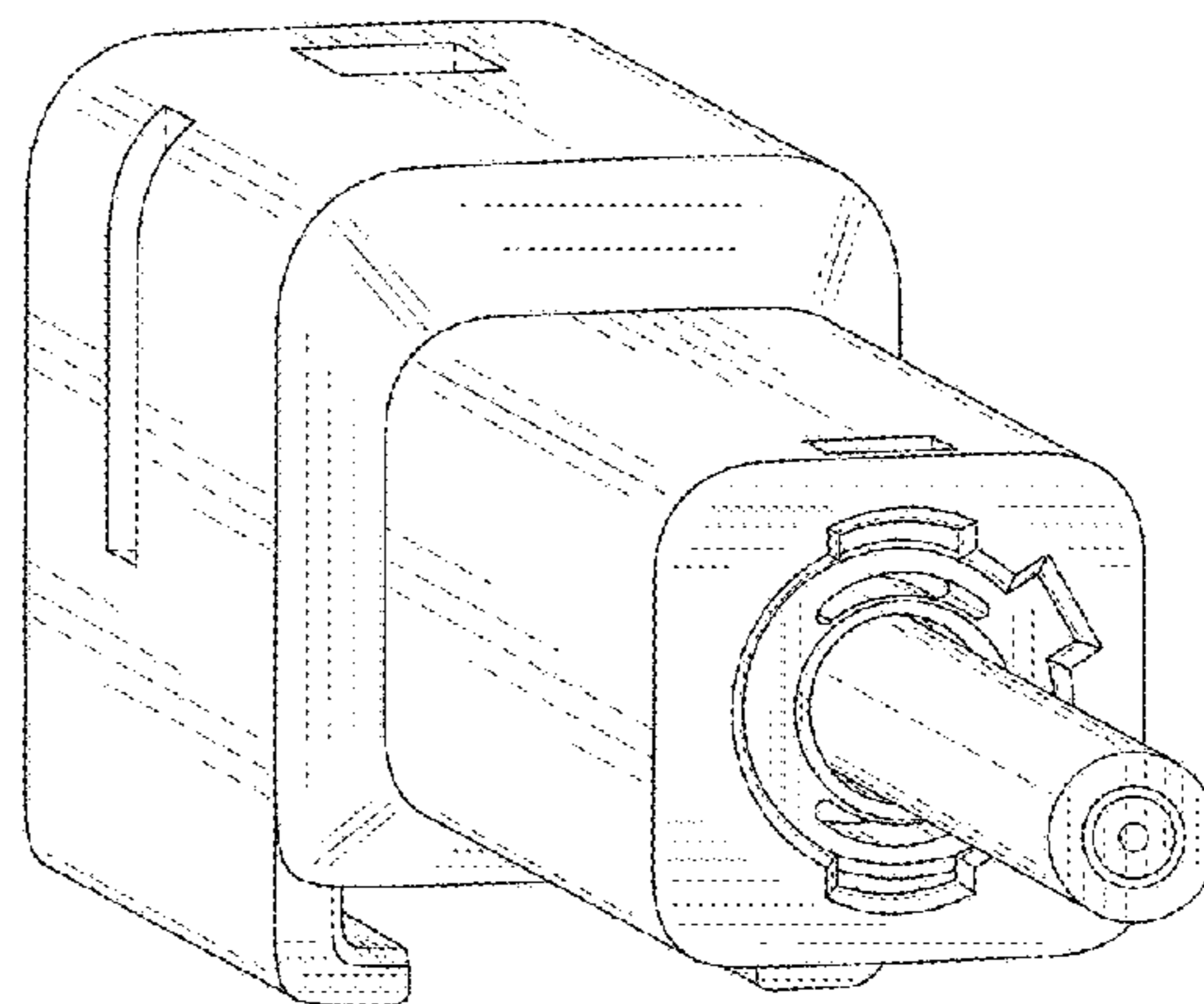
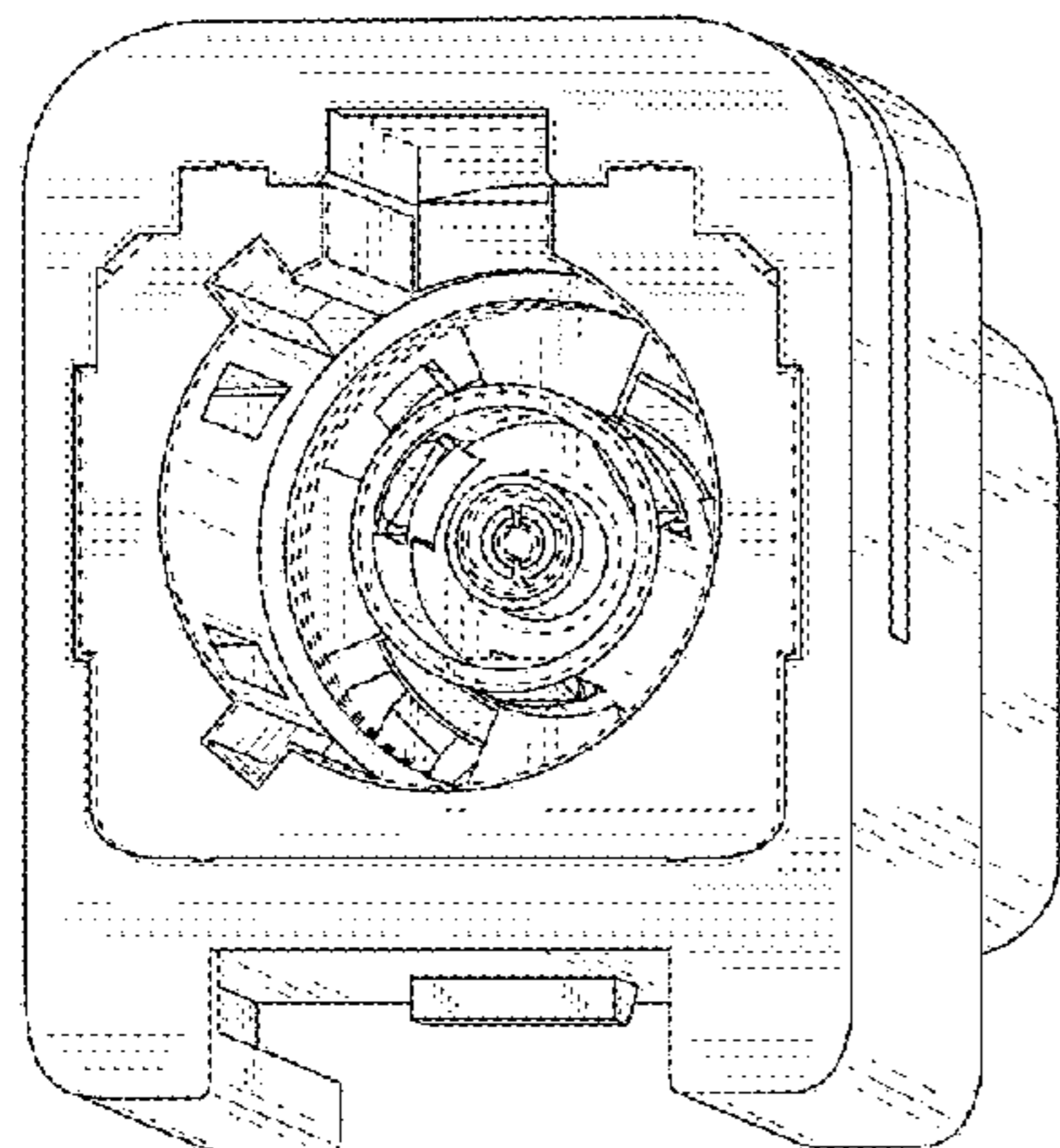


FIG. 6 is an enlarged left perspective view thereof; and, FIG. 7 is an enlarged right perspective view thereof. The broken line portion of the figure drawings is included to show environmental structure that forms no part of the claimed design.

**1 Claim, 7 Drawing Sheets**

2009/0215308	A1*	8/2009	Wu	.....	H01R 13/7175 439/490
2009/0215315	A1*	8/2009	Cheng	.....	H01R 13/6485 439/607.28
2009/0318019	A1*	12/2009	Ellis	.....	H01R 4/10 439/578
2015/0236435	A1*	8/2015	Hardy	.....	H01R 9/05 439/578

(56)

**References Cited**

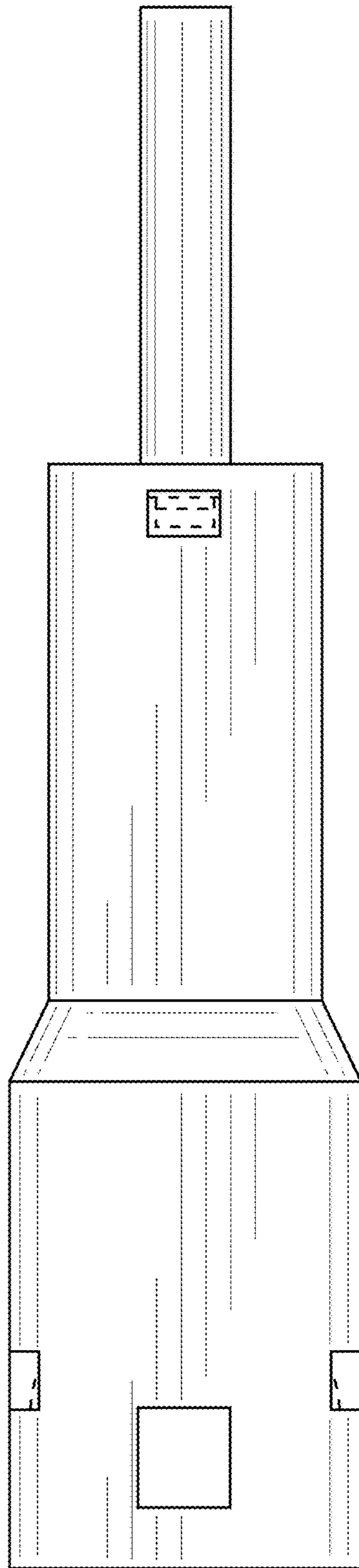
U.S. PATENT DOCUMENTS

2005/0245104	A1*	11/2005	Nakagawa	.....	H01R 24/42 439/63
2008/0146087	A1*	6/2008	Wu	.....	H01R 24/50 439/733.1
2009/0124135	A1*	5/2009	Zhuang	.....	H01R 12/712 439/668

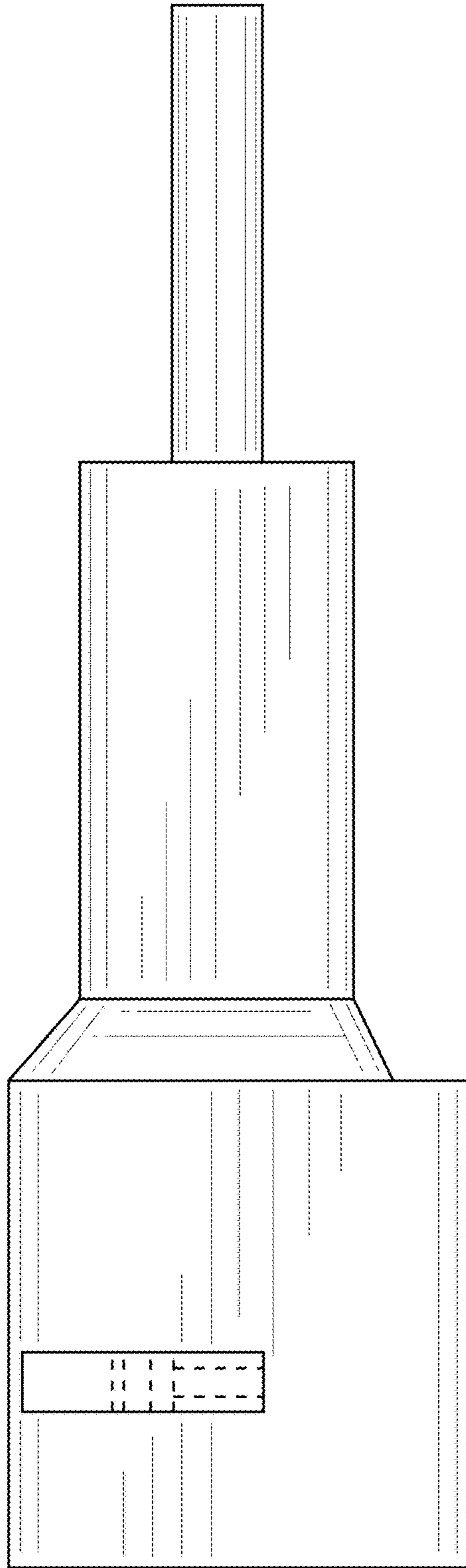
OTHER PUBLICATIONS

UHF SO239, posted at Amazon.com, posted on Jul. 14, 2015 , [online], [site visited May 20, 2017]. Available from Internet, <<https://www.amazon.com/SO-239-Female-Straight-Adapter-Shipping/product-reviews/B00VPRDZ4K>>.\*  
 U.S. Appl. No. 29/576,808 to Daisuke Sasaki, filed Sep. 7, 2016.  
 U.S. Appl. No. 29/576,826 to Daisuke Sasaki, filed Sep. 7, 2016.  
 U.S. Appl. No. 29/576,822 to Daisuke Sasaki, filed Sep. 7, 2016.

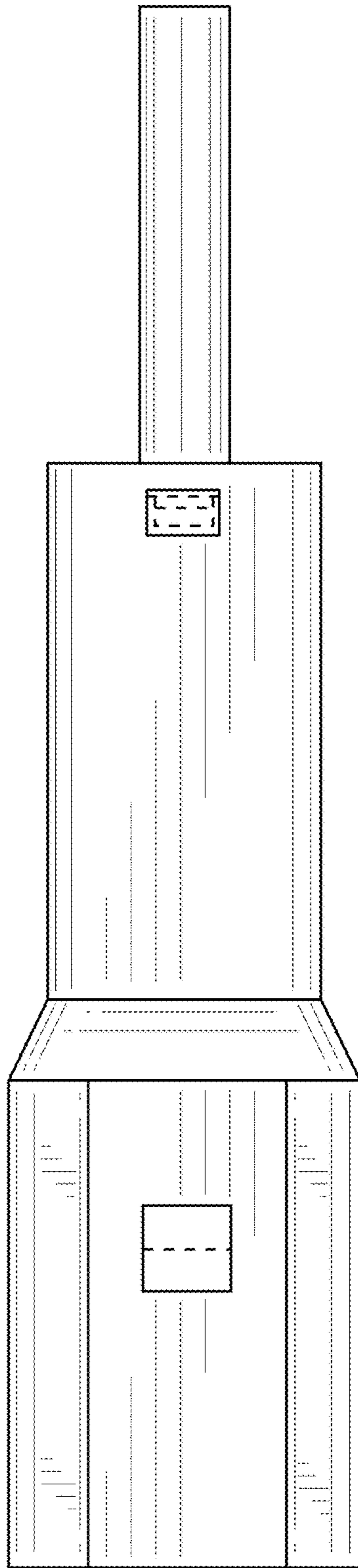
\* cited by examiner



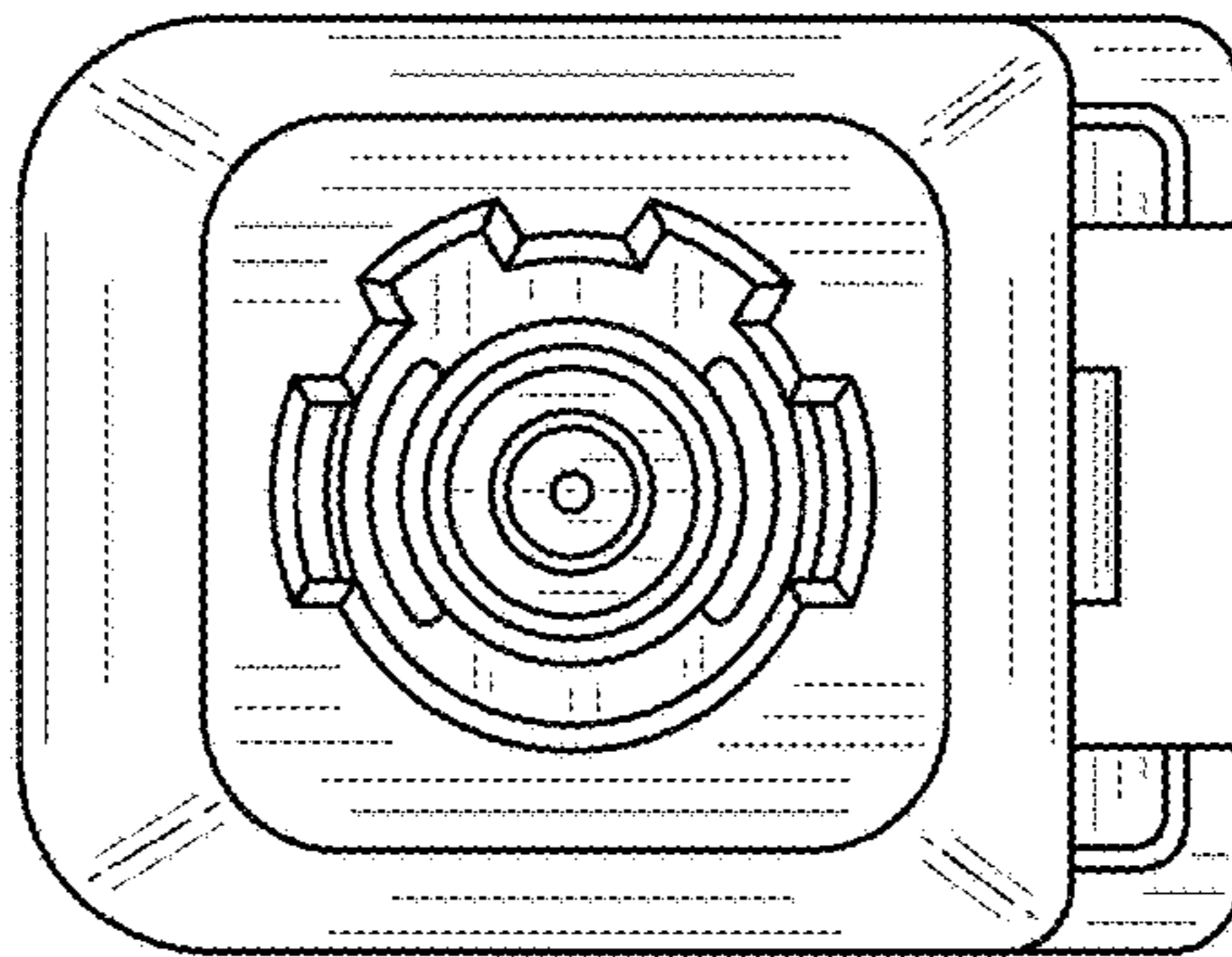
**FIG. 1**



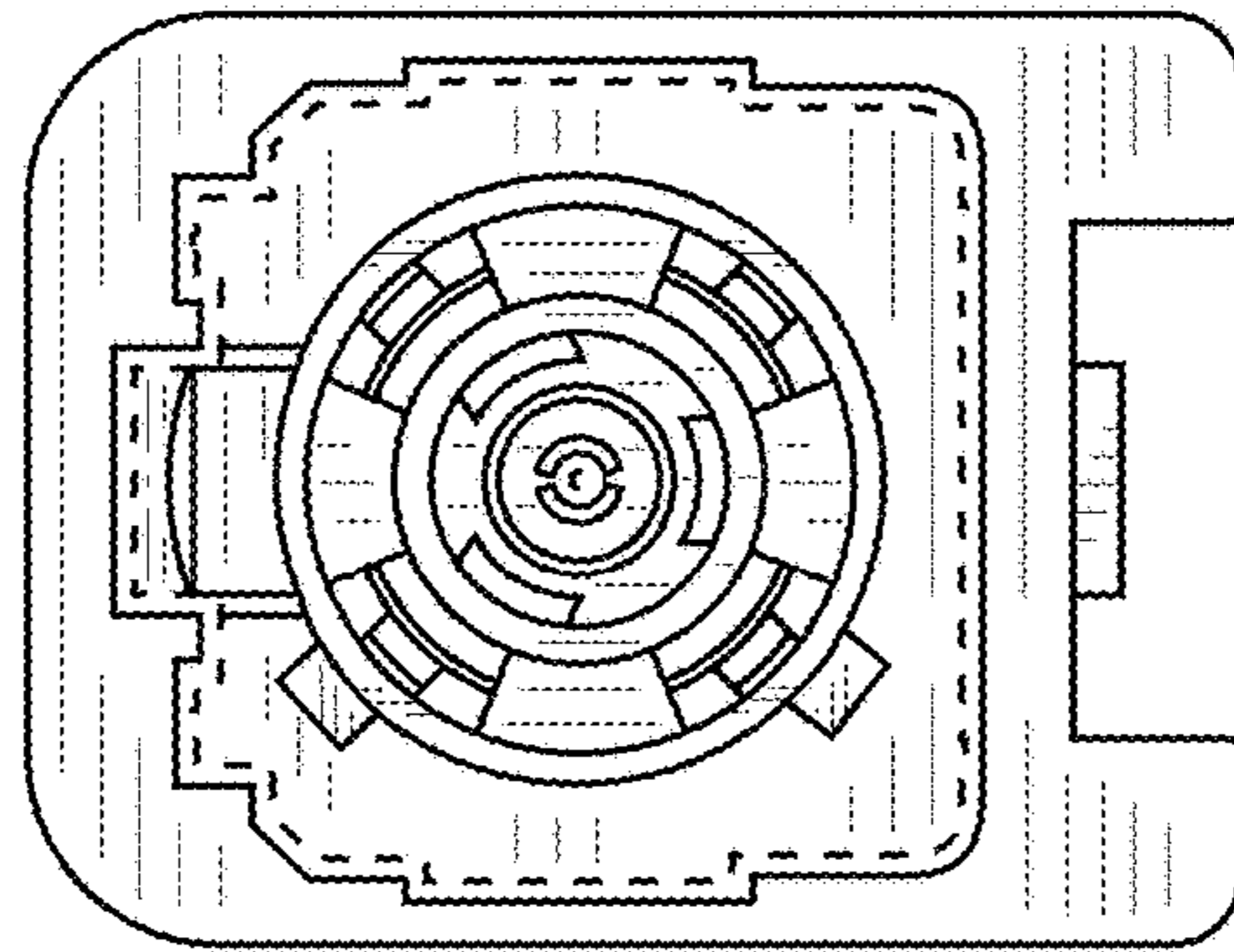
**FIG. 2**



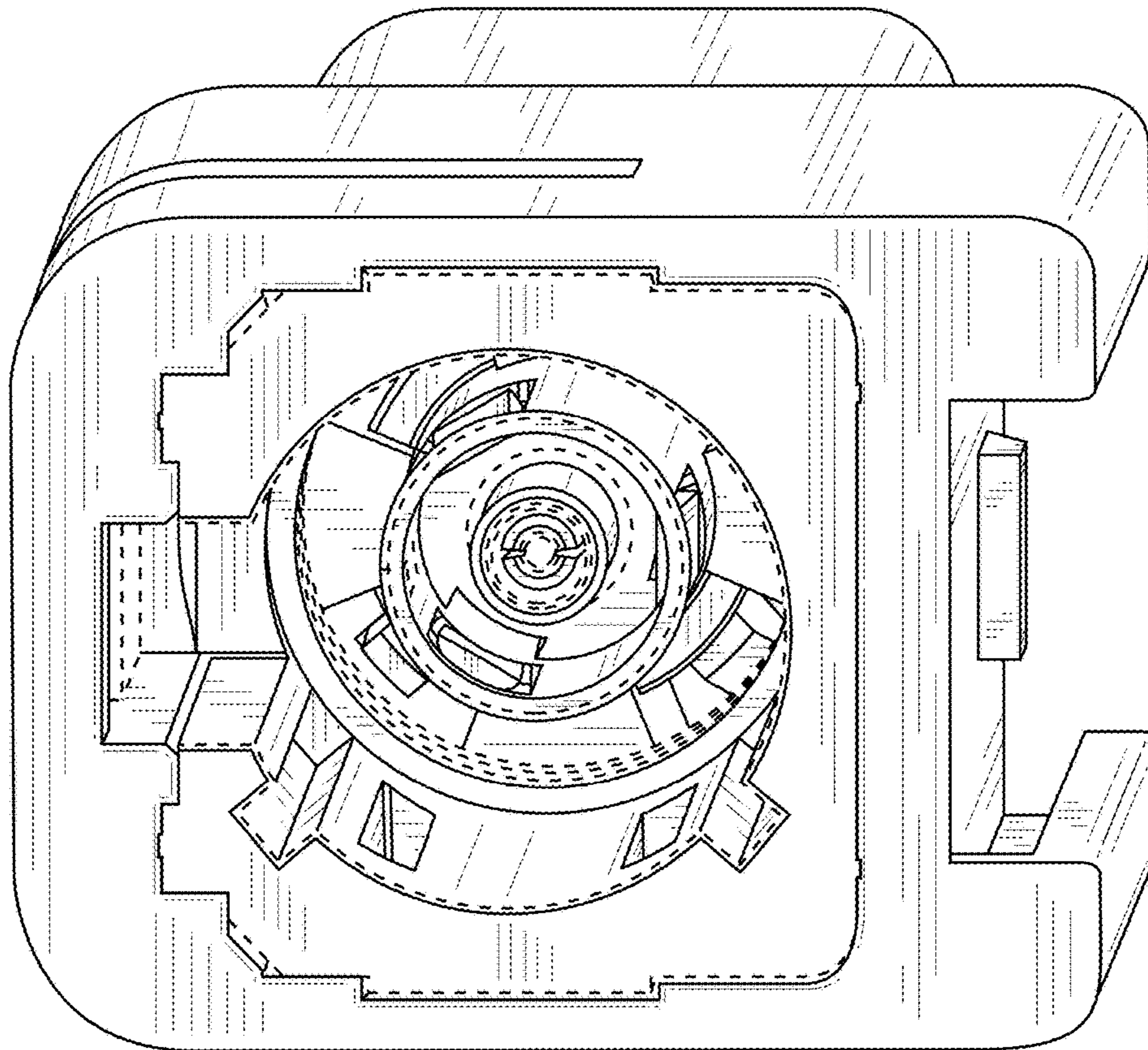
**FIG. 3**



**FIG. 4**

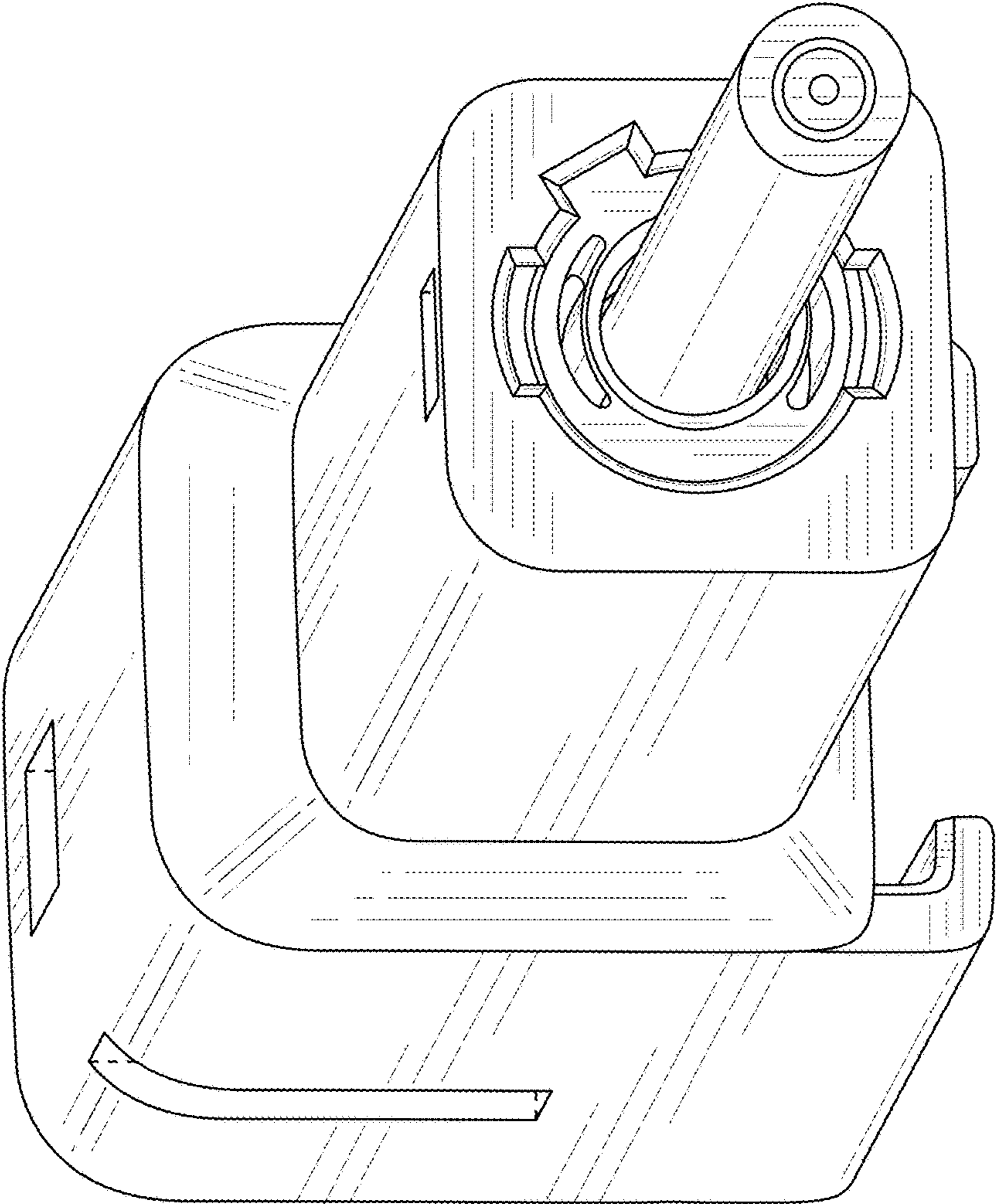


**FIG. 5**



**FIG. 6**





**FIG. 7**