



US00D801931S

(12) **United States Design Patent** (10) **Patent No.:** **US D801,931 S**
Sasaki (45) **Date of Patent:** **** *Nov. 7, 2017**

(54) **ELECTRICAL CONNECTOR**

G02B 6/36; G02B 6/32; G02B 6/26;
G02B 6/24; G02B 6/00

See application file for complete search history.

(71) Applicant: **HOSIDEN CORPORATION**, Osaka
(JP)

(72) Inventor: **Daisuke Sasaki**, Osaka (JP)

(73) Assignee: **HOSIDEN CORPORATION**, Osaka
(JP)

(*) Notice: This patent is subject to a terminal disclaimer.

(**) Term: **15 Years**

(21) Appl. No.: **29/576,808**

(22) Filed: **Sep. 7, 2016**

(30) **Foreign Application Priority Data**

Mar. 8, 2016 (JP) 2016-005160

(51) **LOC (10) Cl.** **13-03**

(52) **U.S. Cl.**
USPC **D13/133**

(58) **Field of Classification Search**

USPC D13/101, 102, 103, 107, 108, 110, 118,
D13/119, 123, 133, 134, 135, 146, 147,
D13/148, 149, 150, 151, 153, 154, 155,
D13/156, 173, 184, 199

CPC H01R 13/40; H01R 13/64; H01R 13/66;
H01R 4/00; H01R 4/60; H01R 4/66;
H01R 13/00; H01R 13/44; H01R 13/52;
H01R 13/58; H01R 13/62; H01R 24/38;
H01R 43/00; H01R 43/18; H01R 43/22;
G02B 6/381; G02B 6/4442; G02B 6/42;
G02B 6/40; G02B 6/3897; G02B 6/38;

(56) **References Cited**

U.S. PATENT DOCUMENTS

5,871,377	A *	2/1999	Sato	H01R 13/115
					439/611
6,224,428	B1 *	5/2001	Chen	H01R 33/9655
					439/188
6,623,277	B1 *	9/2003	Zhu	H01R 24/50
					439/63
6,932,614	B1 *	8/2005	Kan	H01R 24/50
					439/580
7,651,344	B2 *	1/2010	Wu	H01R 13/6585
					439/626

(Continued)

OTHER PUBLICATIONS

UXCELL 5PCS, posted at Amazon.com, posted on Jul. 29, 2016 ,
[online], [site visited May 20, 2017]. Available from Internet,
<<https://www.amazon.com/uxcell-Female-Flange-Chassis-Adapter/dp/B00NQA1EPQ>>.*

(Continued)

Primary Examiner — Mary Ann Calabrese

Assistant Examiner — Catherine Ho

(74) *Attorney, Agent, or Firm* — Greenblum & Bernstein,
P.L.C.

(57) **CLAIM**

I claim the ornamental design for an electrical connector, as shown and described.

DESCRIPTION

FIG. 1 is a top plan view of an electrical connector, showing my new design;

FIG. 2 is a front elevational view thereof;

FIG. 3 is a bottom view thereof;

FIG. 4 is a right side elevational view thereof;

FIG. 5 is a left side elevational view thereof;

(Continued)

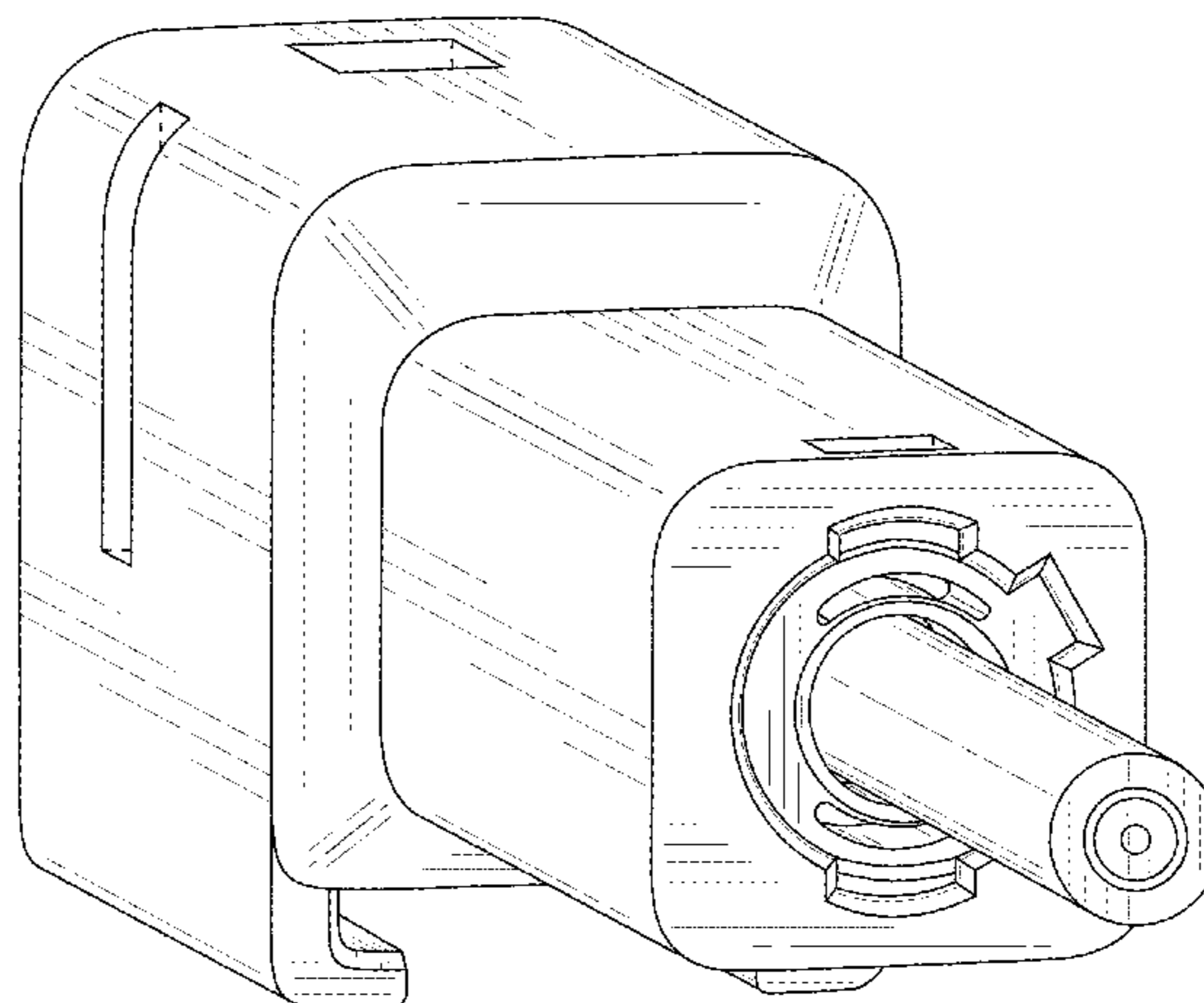
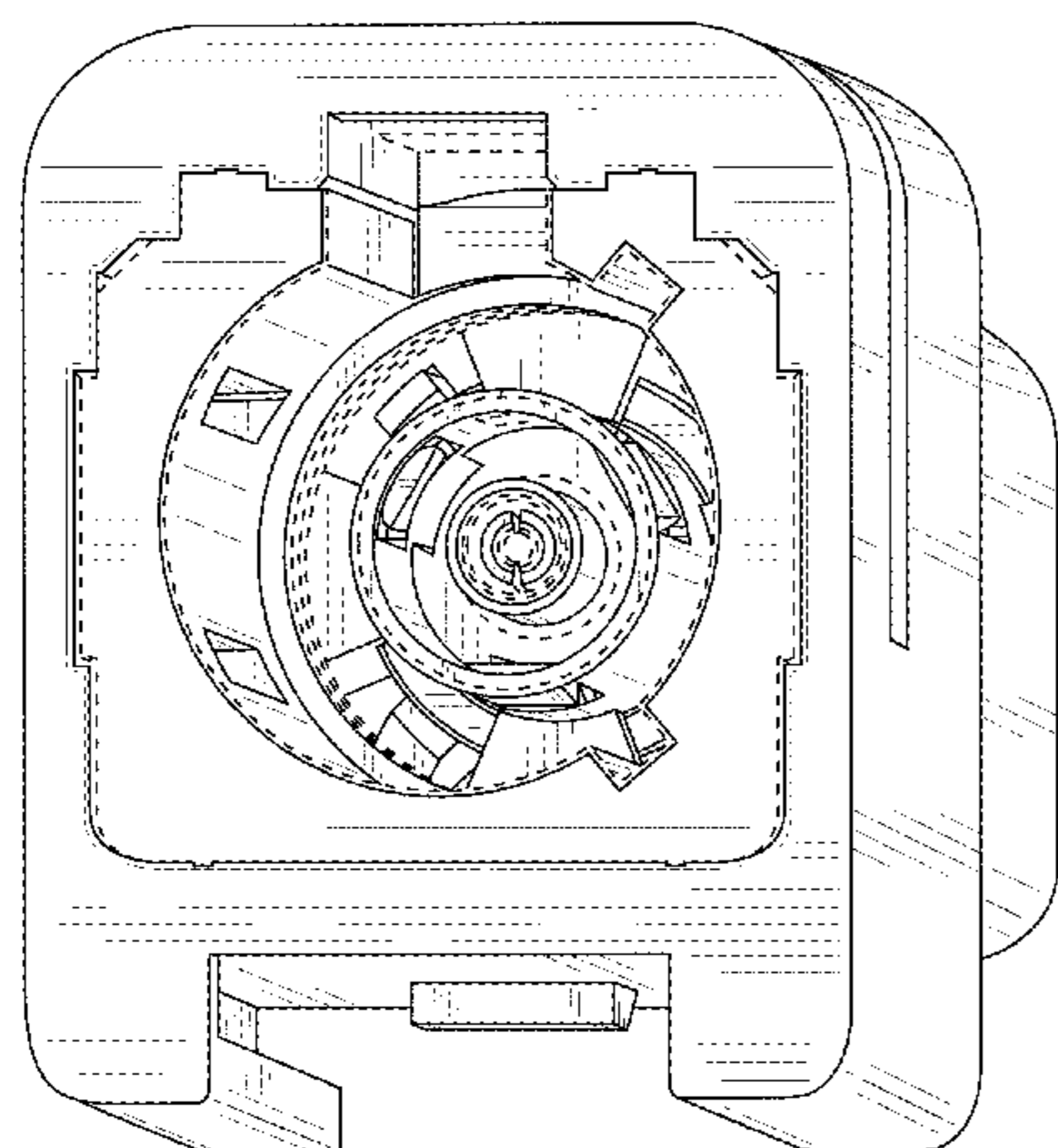


FIG. 6 is an enlarged left perspective view thereof; and, FIG. 7 is an enlarged right perspective view thereof. The broken line portion of the figure drawings is included to show environmental structure that forms no part of the claimed design.

1 Claim, 7 Drawing Sheets

2009/0215308 A1* 8/2009 Wu H01R 13/7175
439/490
2009/0215315 A1* 8/2009 Cheng H01R 13/6485
439/607.28
2009/0318019 A1* 12/2009 Ellis H01R 4/10
439/578
2015/0236435 A1* 8/2015 Hardy H01R 9/05
439/578

OTHER PUBLICATIONS

UHF SO239, posted at Amazon.com, posted on Jul. 14, 2015 , [online], [site visited May 20, 2017]. Available from Internet, <<https://www.amazon.com/SO-239-Female-Straight-Adapter-Shipping/product-reviews/B00VPRDZ4K>>.*
U.S. Appl. No. 29/576,813 to Daisuke Sasaki, filed Sep. 7, 2016.
U.S. Appl. No. 29/576,826 to Daisuke Sasaki, filed Sep. 7, 2016.
U.S. Appl. No. 29/576,822 to Daisuke Sasaki, filed Sep. 7, 2016.

* cited by examiner

(56)

References Cited

U.S. PATENT DOCUMENTS

2005/0245104 A1* 11/2005 Nakagawa H01R 24/42
439/63
2008/0146087 A1* 6/2008 Wu H01R 24/50
439/733.1
2009/0124135 A1* 5/2009 Zhuang H01R 12/712
439/668

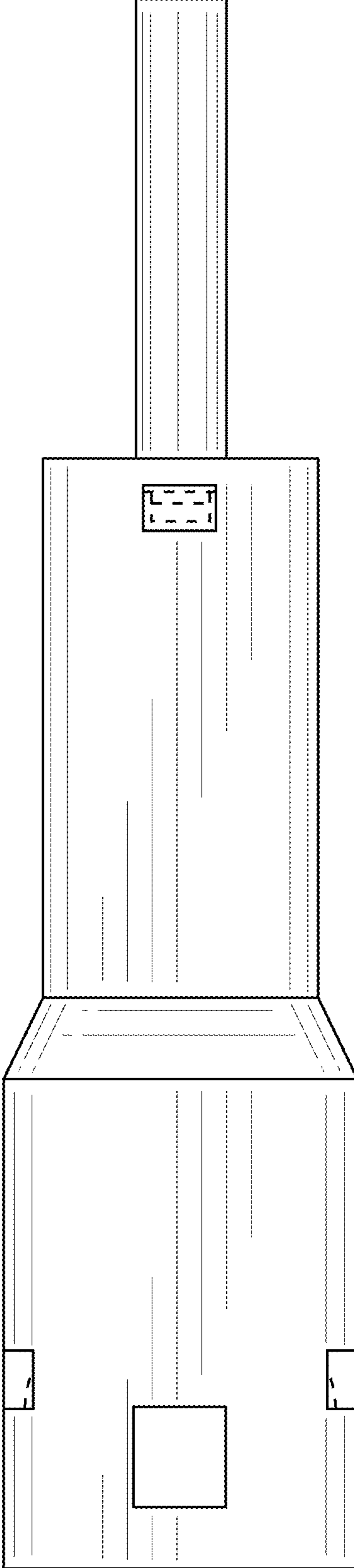


FIG. 1

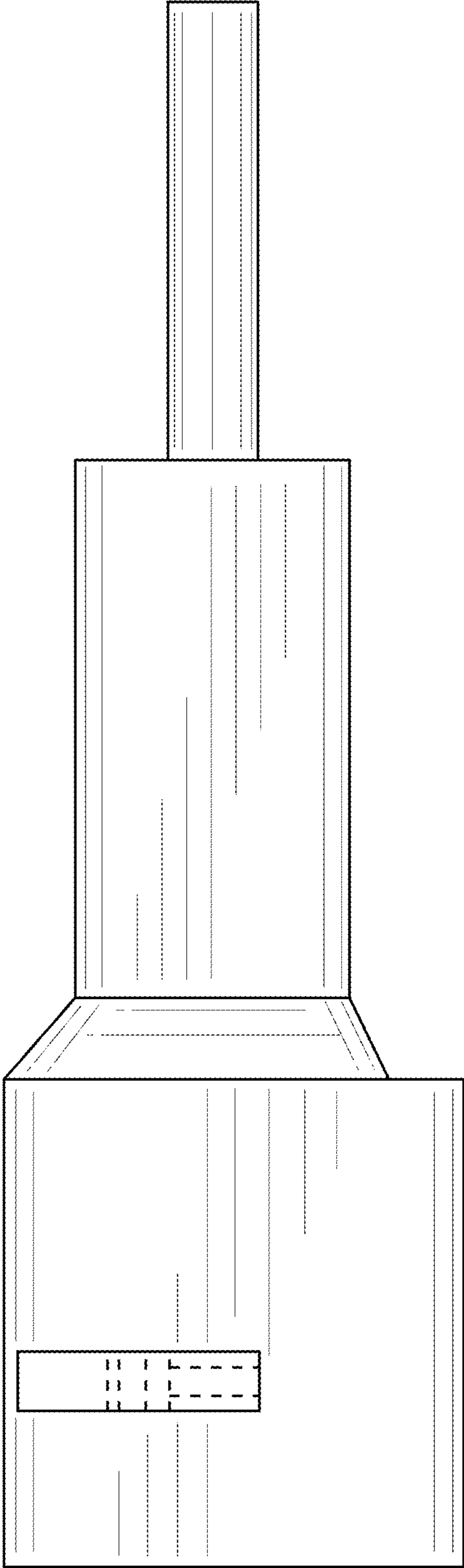


FIG. 2

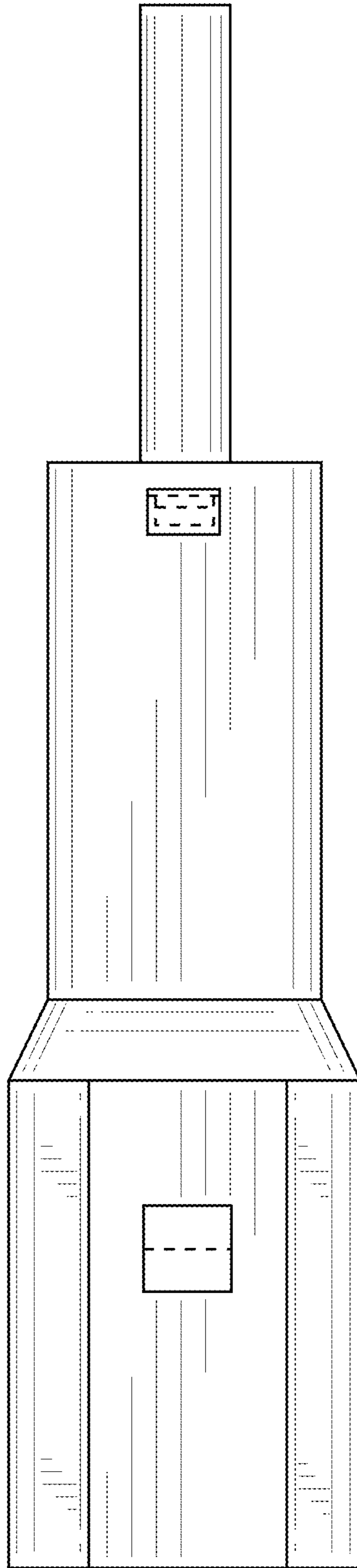


FIG. 3

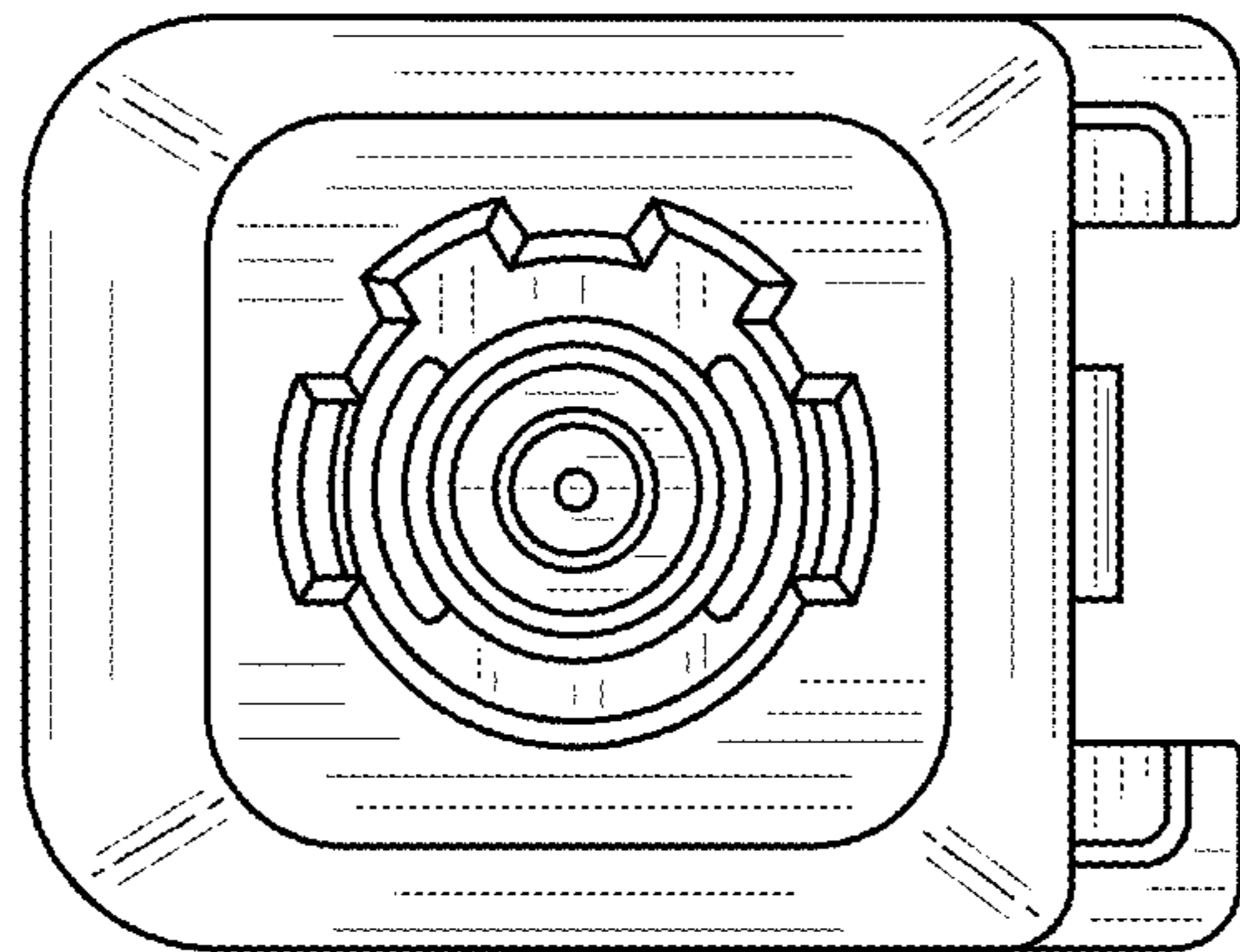


FIG. 4

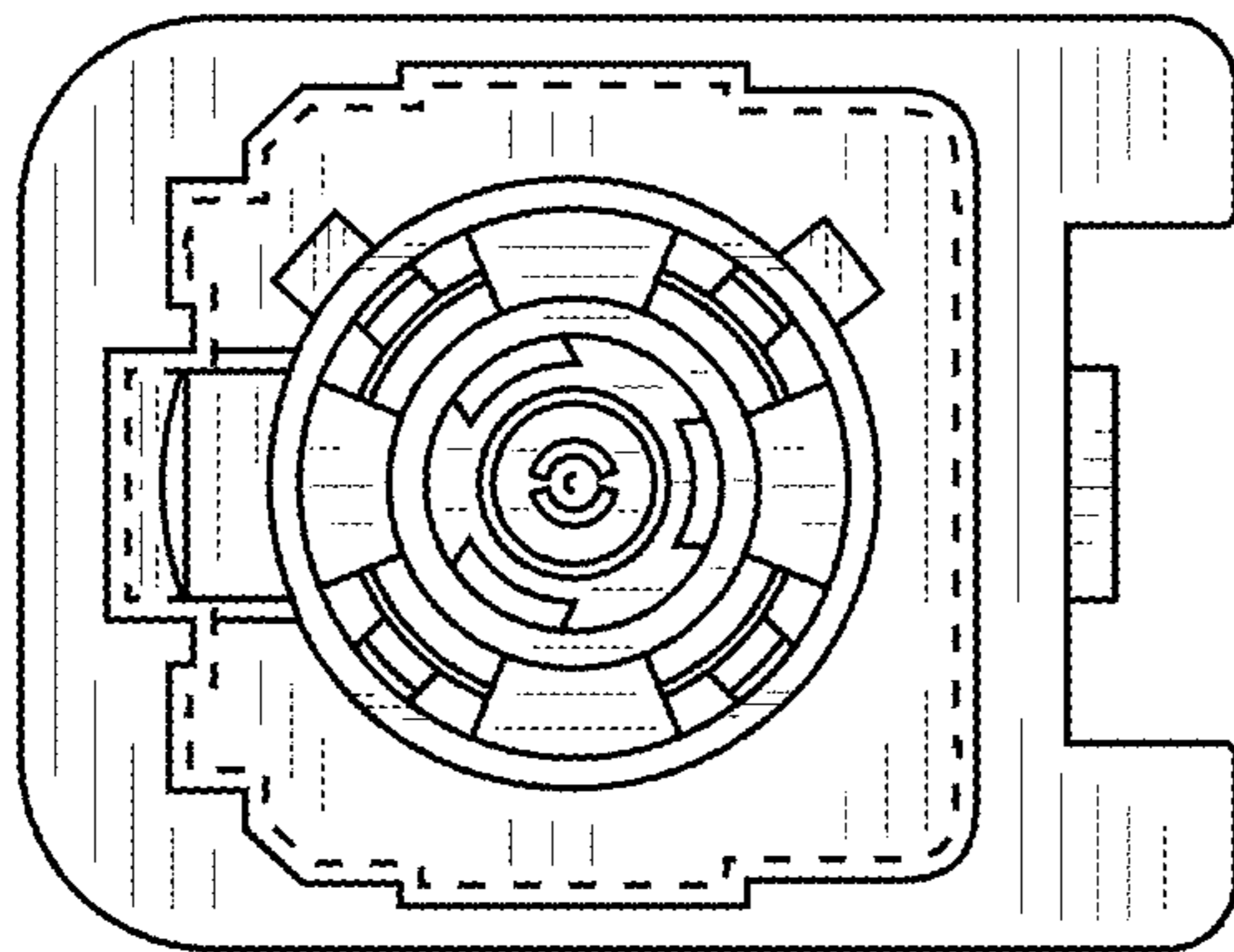


FIG. 5

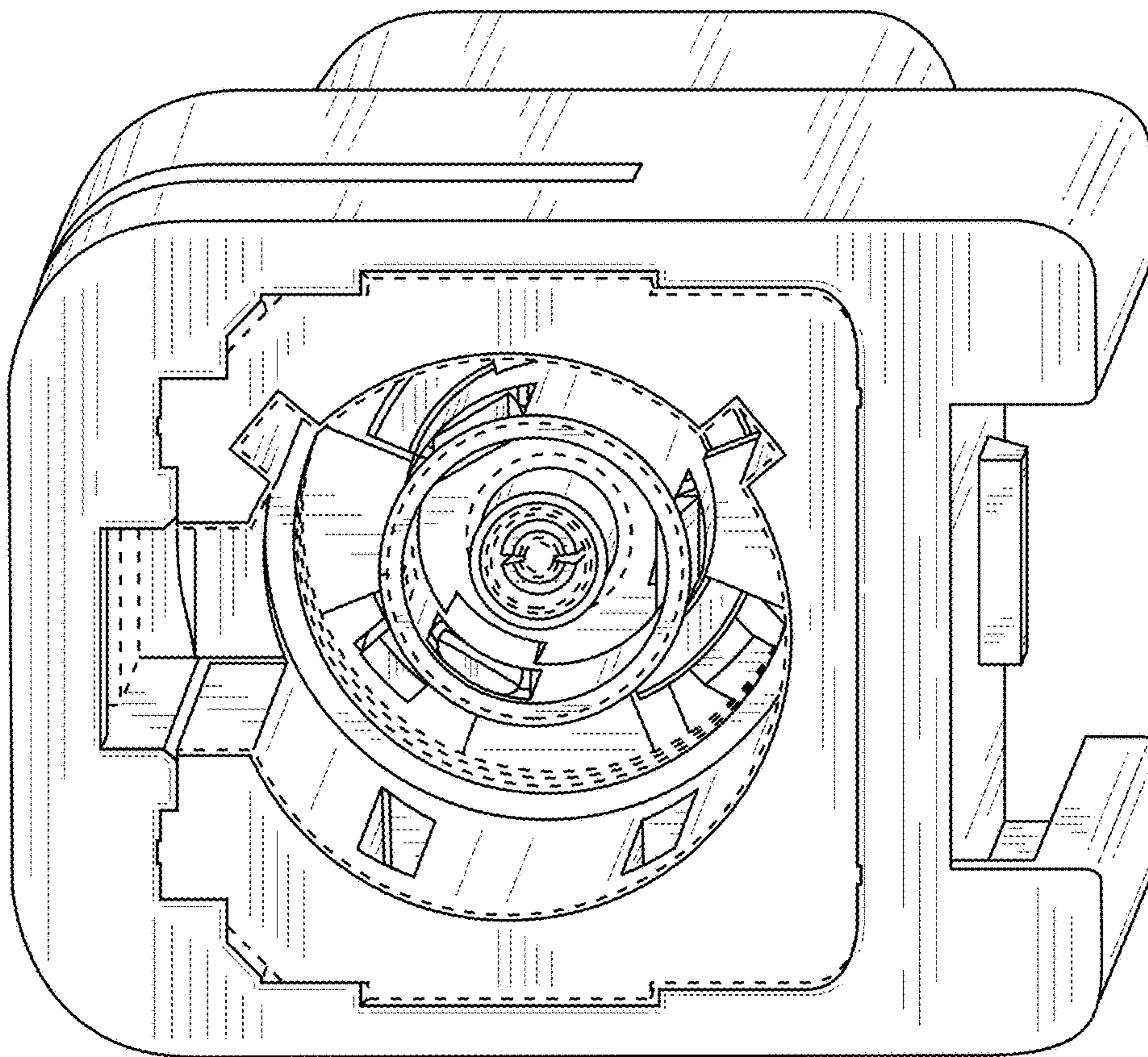


FIG. 6

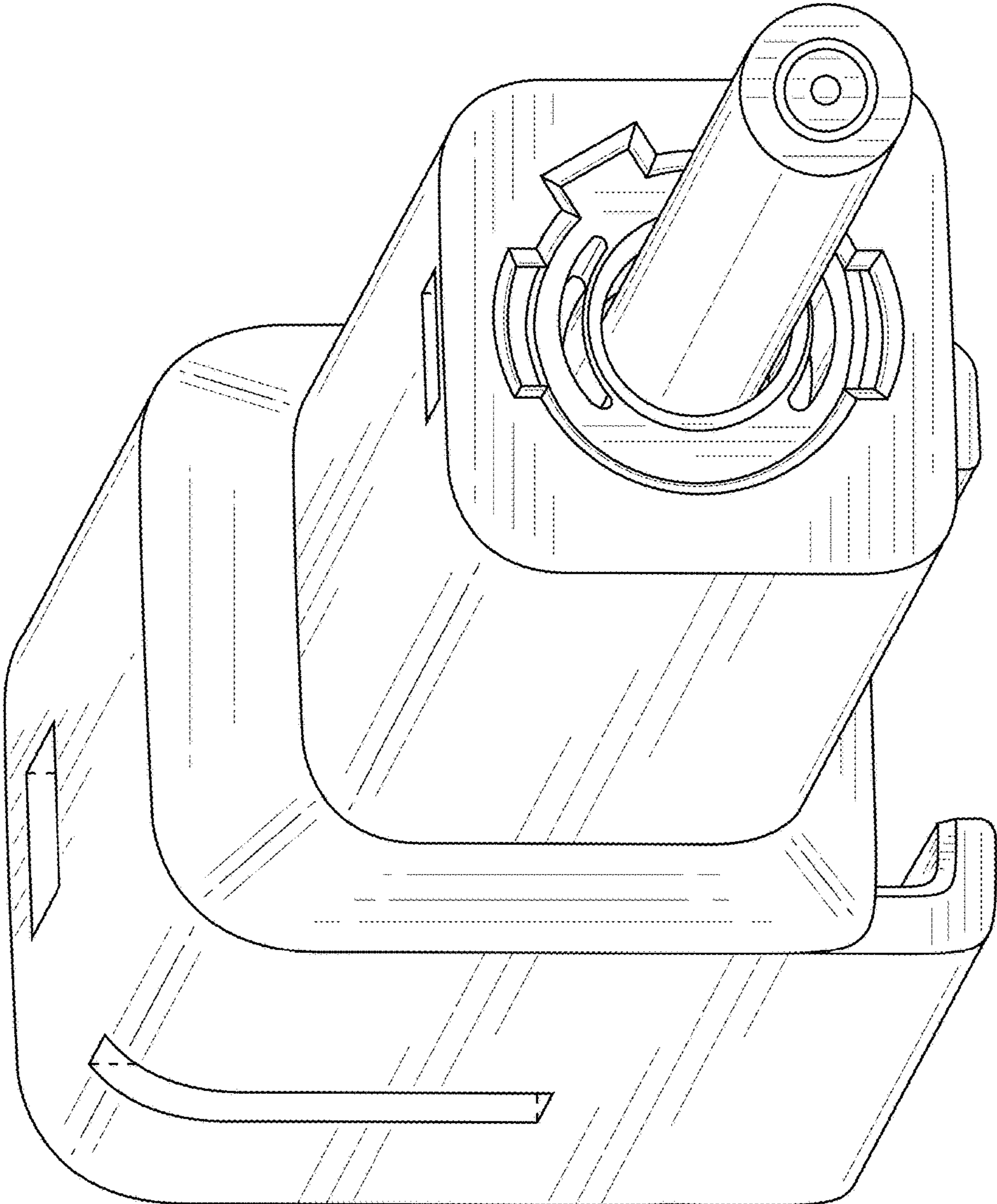


FIG. 7