



US00D801930S

(12) **United States Design Patent**
Brandt et al.

(10) **Patent No.:** **US D801,930 S**

(45) **Date of Patent:** **** Nov. 7, 2017**

(54) **CONDUCTOR**

(71) Applicant: **Eaton Corporation**, Cleveland, OH (US)

(72) Inventors: **Douglas Michael Brandt**, Wampum, PA (US); **Brad Robert Leccia**, Bethel Park, PA (US); **Richard Blaine Frye, IV**, Aliquippa, PA (US); **Zachary Ryan Jenkins**, Pittsburgh, PA (US)

(73) Assignee: **EATON CORPORATION**, Cleveland, OH (US)

(**) Term: **15 Years**

(21) Appl. No.: **29/564,946**

(22) Filed: **May 17, 2016**

(51) **LOC (10) Cl.** **13-03**

(52) **U.S. Cl.**
USPC **D13/133**

(58) **Field of Classification Search**

USPC D13/107, 108, 110, 118, 123, 133, 134, D13/137.2, 137.3, 139.1, 139.2, 146, 147, D13/148, 149, 150, 151, 152, 154, 156, D13/158, 159, 162, 173, 179, 184, 199
CPC G01R 27/04; G01R 27/32; G01R 31/021; G01R 31/022; G01R 31/081; G01R 33/0283; H01H 2001/5827; H01H 39/006; H01H 53/00; H01H 53/02; H01H 71/002; H01H 71/462; H01H 2001/5861; H01R 4/02; H01R 4/2408; H01R 4/30; H01R 4/2437; H01R 4/2441; H01R 4/2458; H01R 4/38; H01R 4/60; H01R 13/04; H01R 13/10; H01R 13/15; H01R 13/516; H01R 13/631

See application file for complete search history.

(56) **References Cited**

U.S. PATENT DOCUMENTS

2,287,761 A * 6/1942 Matthyse H01R 4/625
403/191
4,538,133 A * 8/1985 Pflanz H01H 9/106
218/95

4,692,577 A * 9/1987 Swanson H01H 39/006
200/82 B
D613,257 S * 4/2010 Clifton D13/179
2007/0252599 A1 * 11/2007 Zhou H01H 9/563
324/424
2007/0252667 A1 * 11/2007 Zhou H01H 3/227
335/16
2007/0253124 A1 * 11/2007 Zhou H01H 9/563
361/2
2014/0087607 A1 * 3/2014 Kojima H01R 13/04
439/891
2015/0180166 A1 * 6/2015 Wu H01R 13/113
439/485

(Continued)

Primary Examiner — Thomas Johannes

Assistant Examiner — Catherine Ho

(74) *Attorney, Agent, or Firm* — Eckert Seamans; David Jenkins; Grant Coffield

(57) **CLAIM**

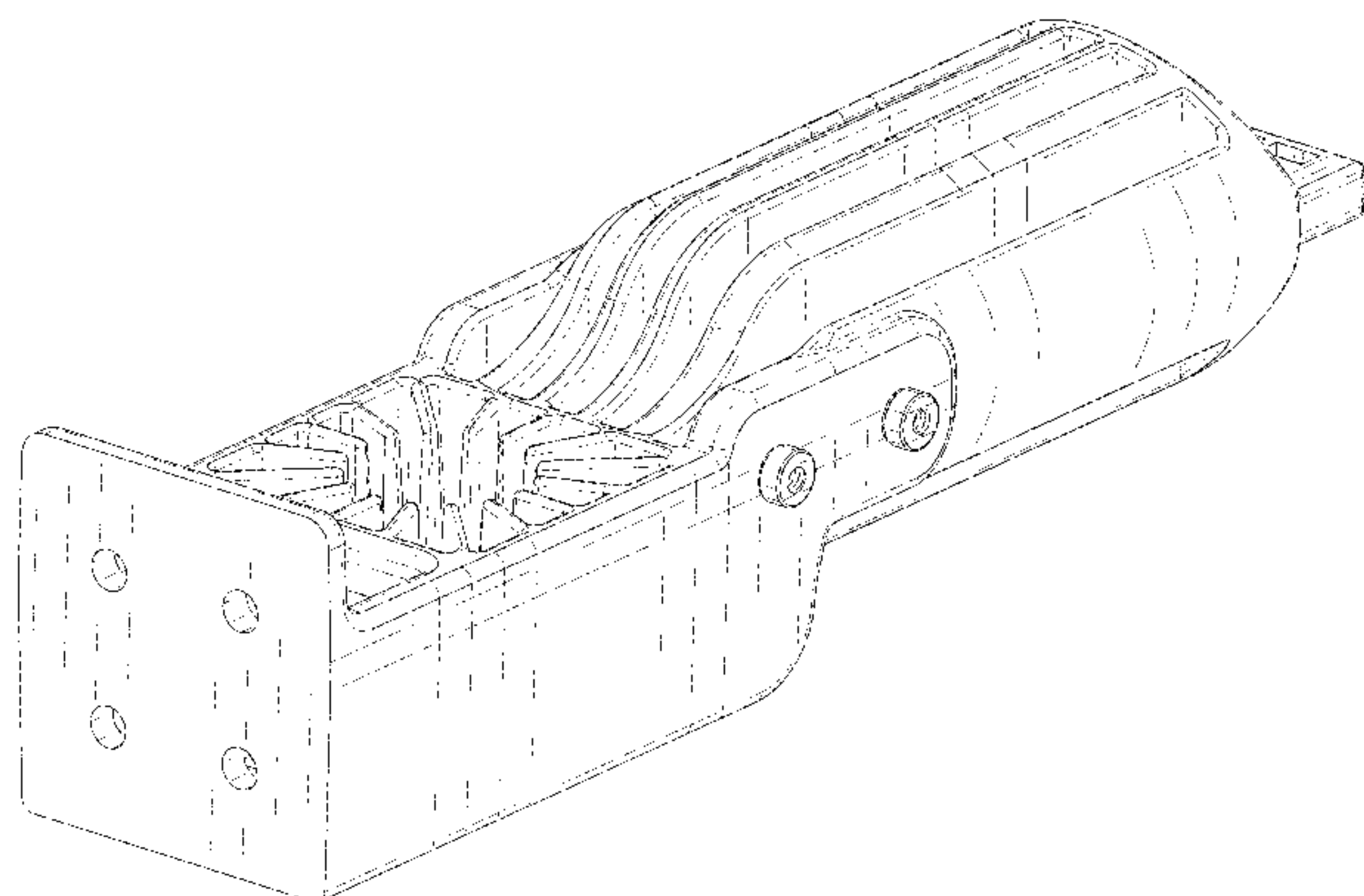
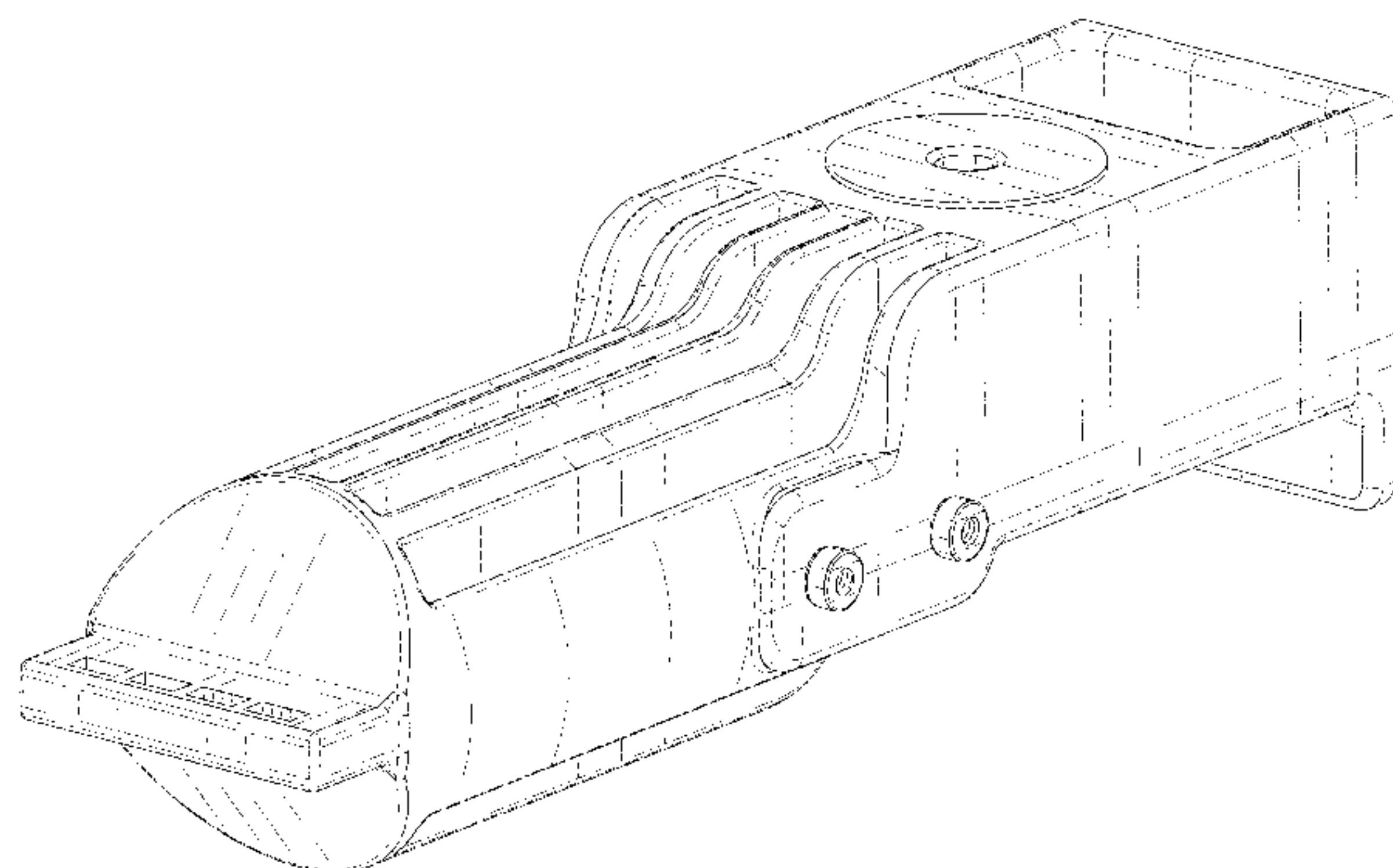
The ornamental design for a conductor, as shown and described.

DESCRIPTION

FIG. 1 is an isometric view of the conductor;
FIG. 2 is another isometric view of the conductor;
FIG. 3 is a top view of the conductor;
FIG. 4 is a bottom view of the conductor;
FIG. 5 is a left view of the conductor;
FIG. 6 is a right view of the conductor;
FIG. 7 is a front view of the conductor;
FIG. 8 is a back view of the conductor; and,
FIG. 9 is a cross-sectional view, taken along line 9-9 on FIG. 5, of the conductor.

The broken lines shown represent unclaimed subject matter and form no part of the claimed subject matter.

1 Claim, 8 Drawing Sheets



(56)

References Cited

U.S. PATENT DOCUMENTS

2016/0197429 A1* 7/2016 Borkar H01R 13/42
439/733.1
2016/0197430 A1* 7/2016 Fujita H01R 13/516
439/733.1

* cited by examiner

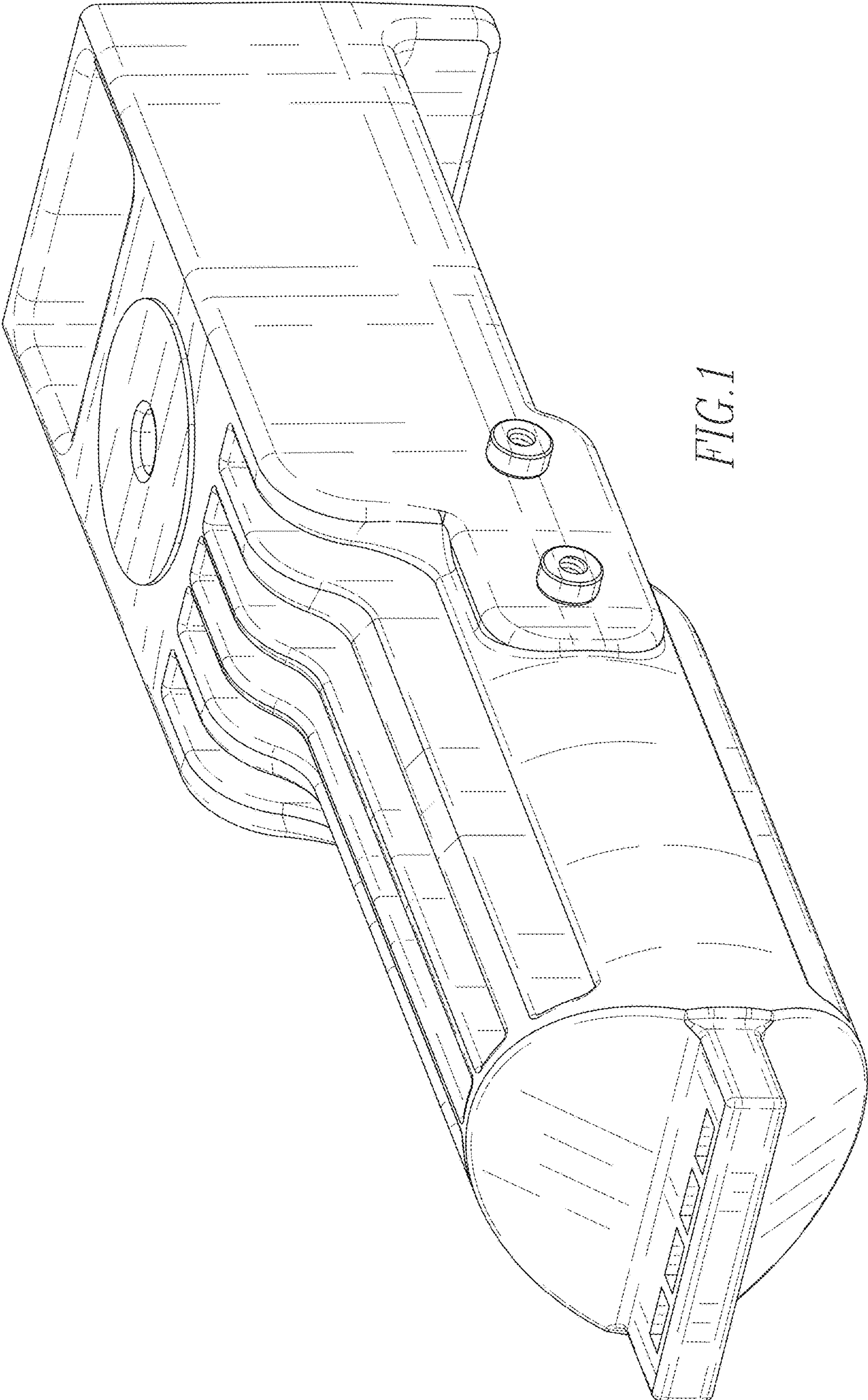
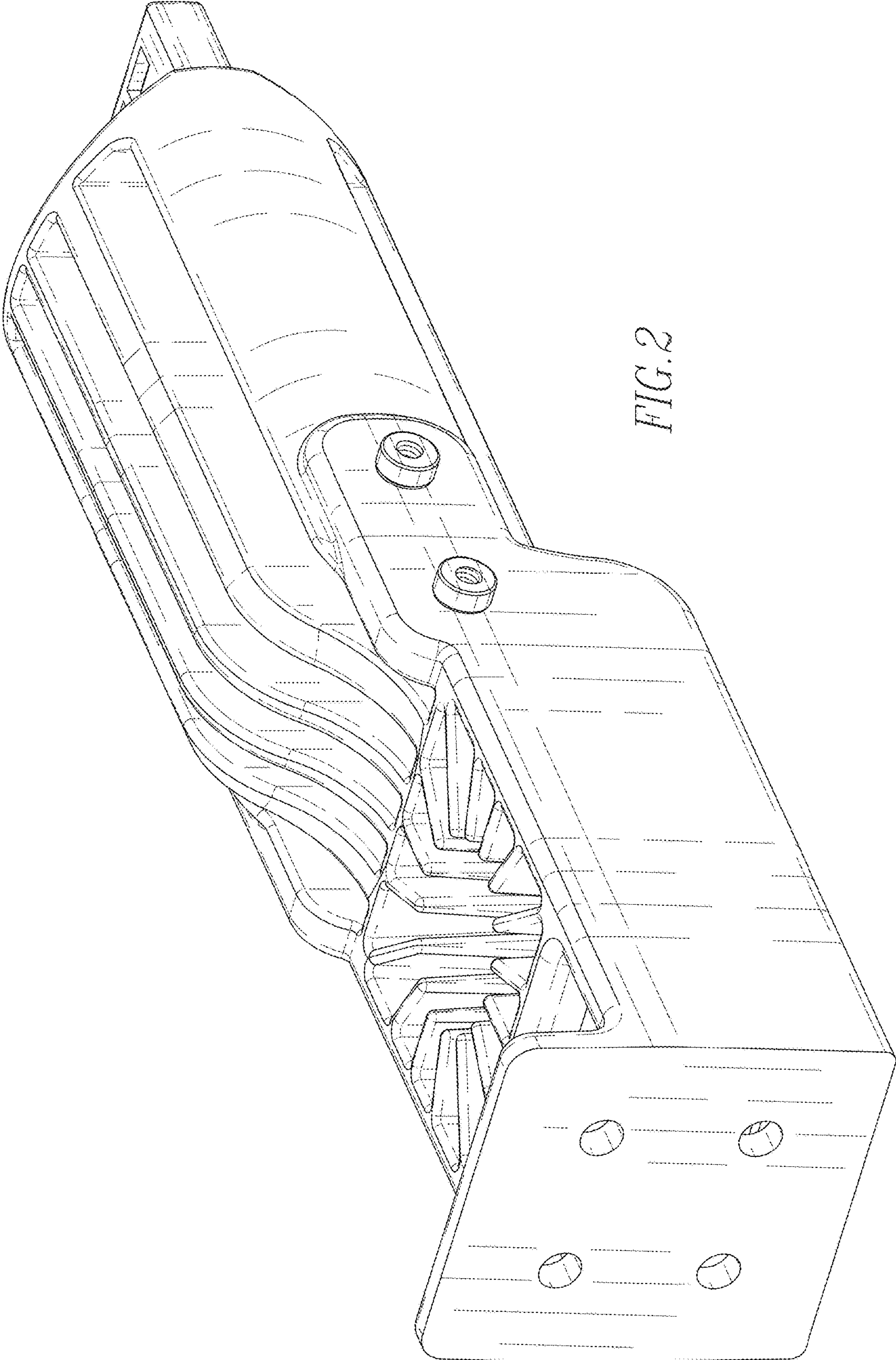


FIG. 1



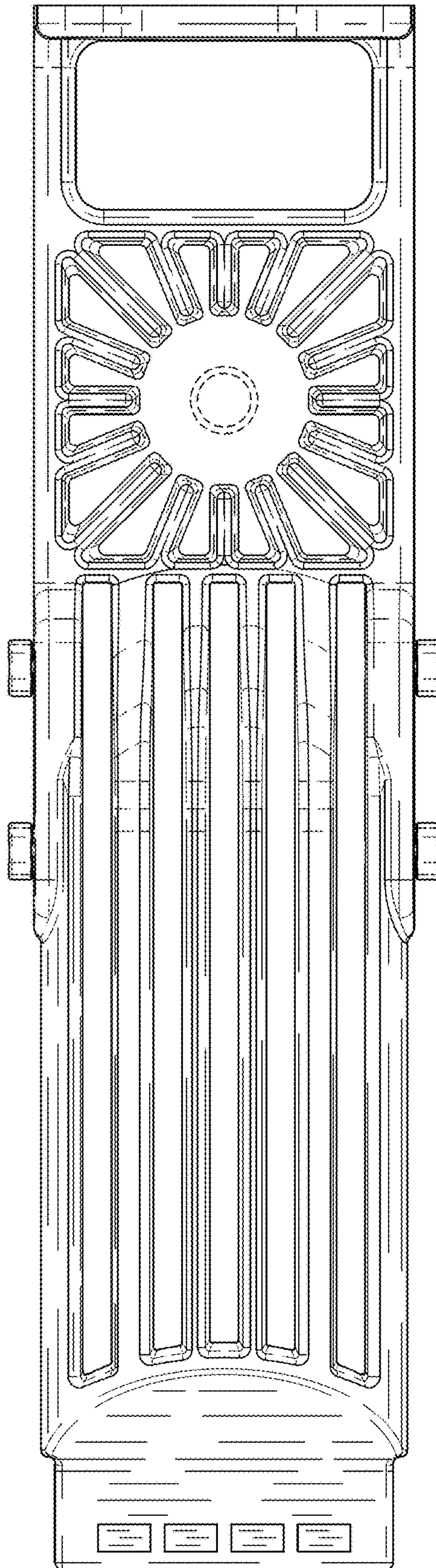


FIG. 3

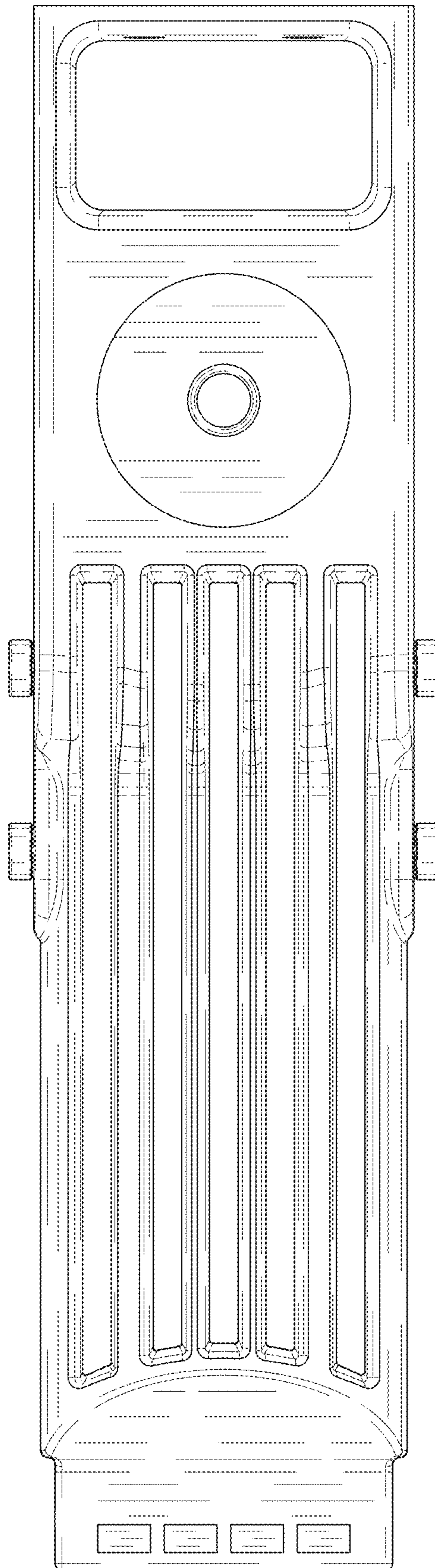


FIG. 4

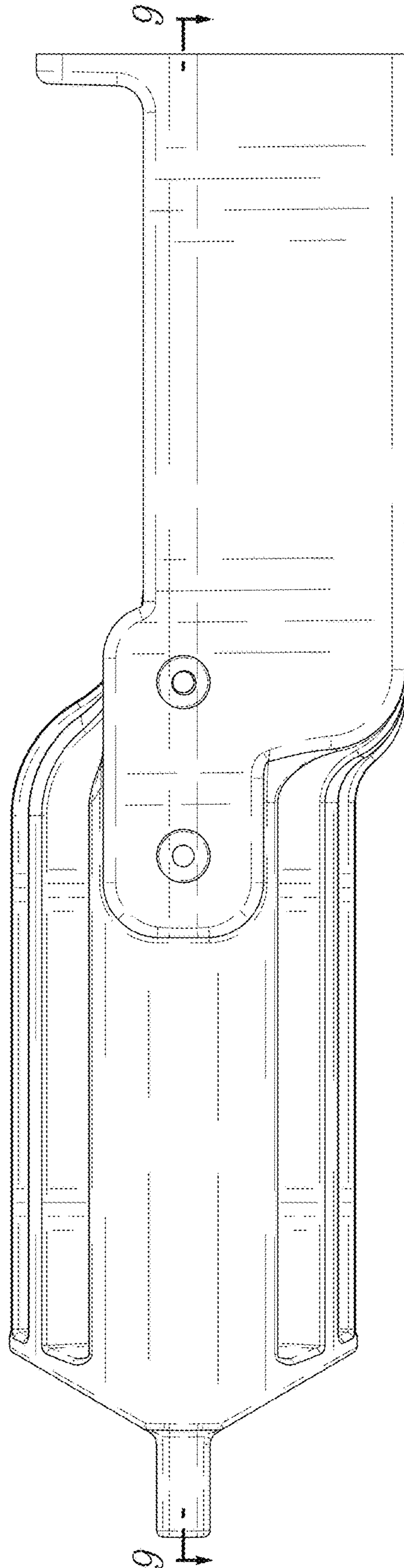


FIG. 5

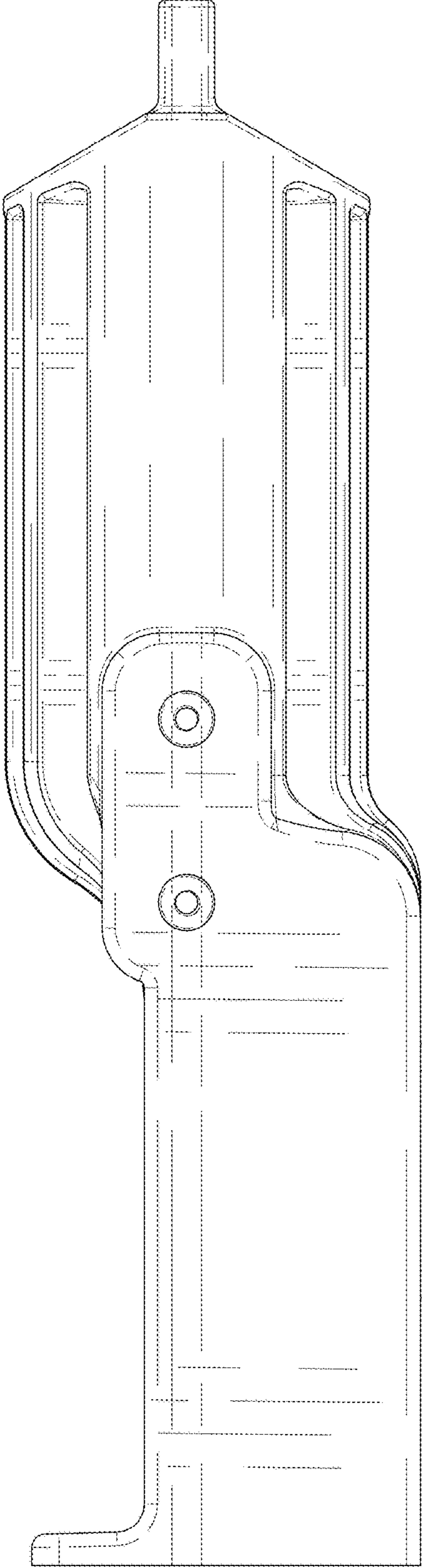


FIG. 6

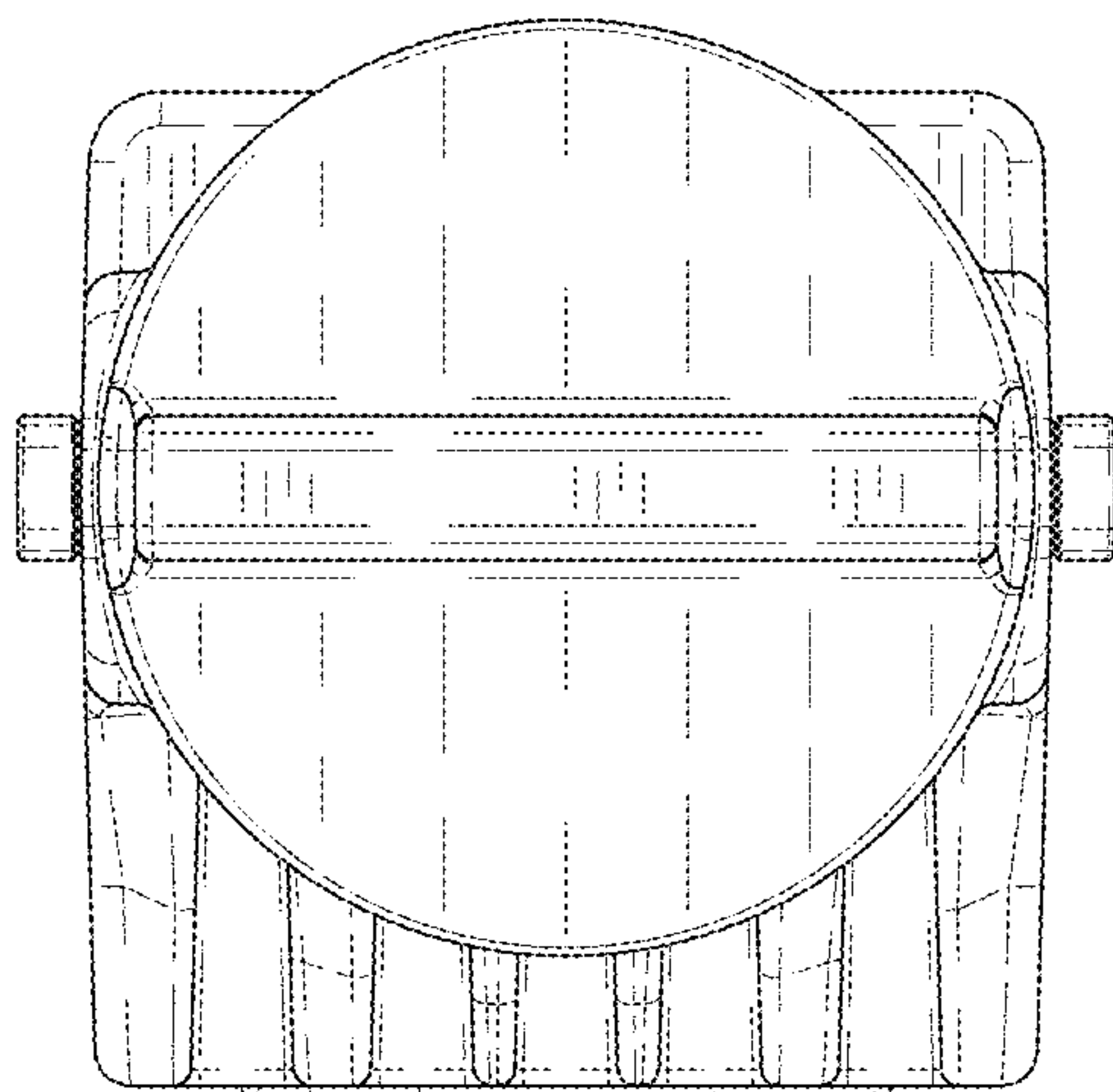


FIG. 7

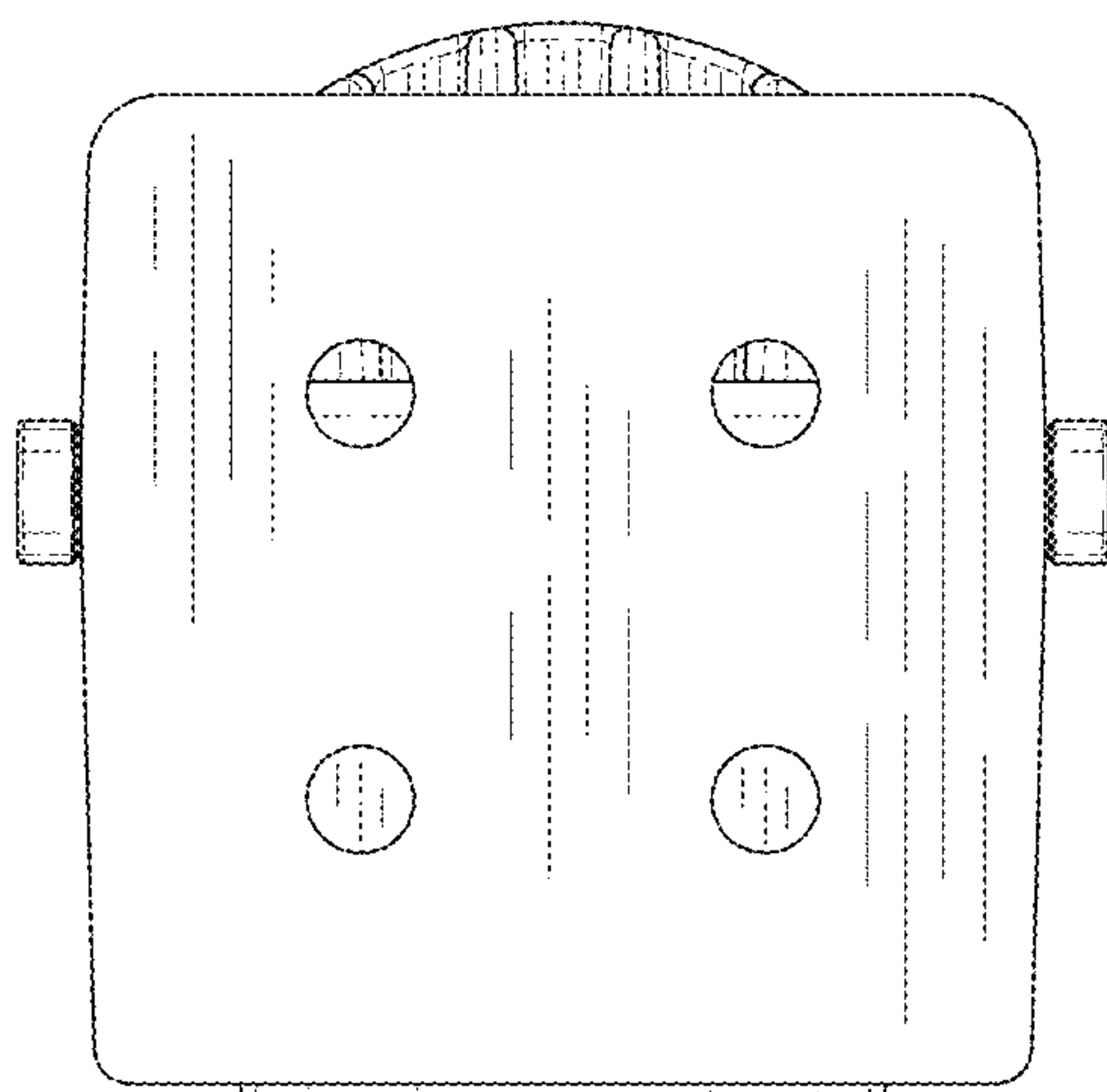


FIG. 8

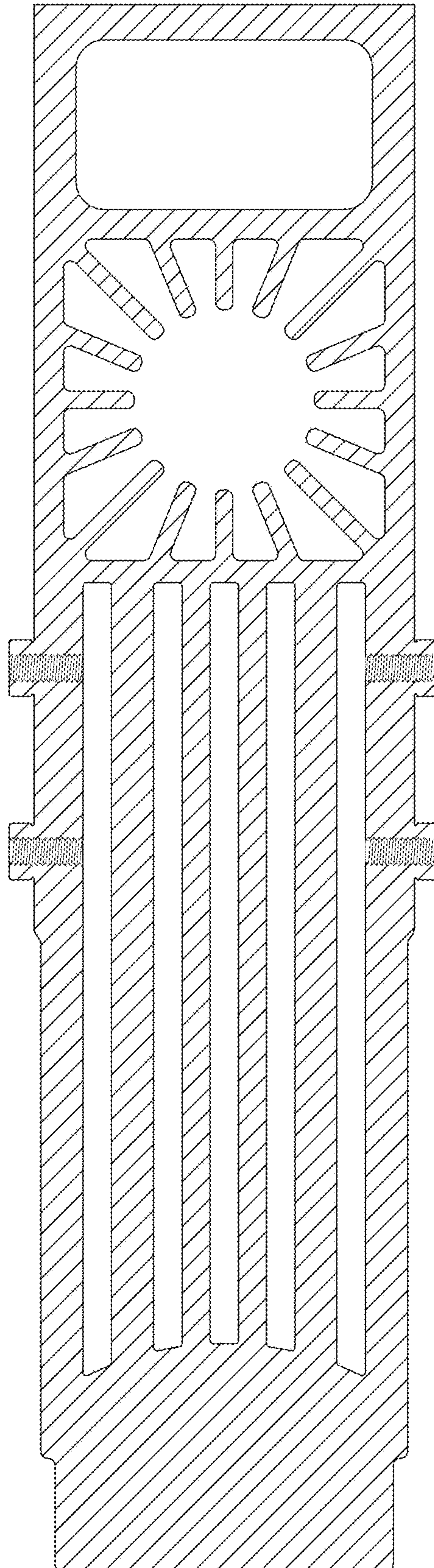


FIG. 9