



US00D801929S

(12) **United States Design Patent** (10) **Patent No.:** **US D801,929 S**
Halleck et al. (45) **Date of Patent:** **** Nov. 7, 2017**

- (54) **VIDEO CAMERA CABLE ADAPTER AND CONNECTOR**
- (71) Applicants: **Kevin E. Halleck**, Santa Barbara, CA (US); **Greg M. Chambers**, San Luis Obispo, CA (US)
- (72) Inventors: **Kevin E. Halleck**, Santa Barbara, CA (US); **Greg M. Chambers**, San Luis Obispo, CA (US)
- (73) Assignee: **Karl Storz Imaging, Inc.**, Goleta, CA (US)

(**) Term: **15 Years**

(21) Appl. No.: **29/530,990**

(22) Filed: **Jun. 22, 2015**

(51) **LOC (10) Cl.** **13-03**

(52) **U.S. Cl.**
USPC **D13/133**

(58) **Field of Classification Search**
USPC D13/110, 118, 120, 123, 133, 134, D13/146-150, 153-157, 173, 184, 199; D24/123, 125, 138, 141; D16/202, 219
CPC A61F 13/20; A61F 13/26; A63B 67/18; F16L 47/03; H01R 4/10; H01R 9/00; H01R 12/00; H01R 13/00; H01R 13/04; H01R 13/05; H01R 13/35; H01R 13/42; H05K 3/30; A61M 1/00; A61L 2/18; A61B 18/14; A61B 8/00; A61B 18/18; A61B 1/12; A61B 1/06; A61B 1/04; A61B 1/00

See application file for complete search history.

(56) **References Cited**

U.S. PATENT DOCUMENTS

- D327,740 S * 7/1992 Arioka D24/186
- D418,226 S * 12/1999 Cody D24/186
- D474,276 S 5/2003 Greise et al.

- D474,745 S 5/2003 Amling et al.
- D482,334 S 11/2003 Amling et al.
- D501,864 S 2/2005 Greise et al.
- D523,455 S 6/2006 Greise et al.
- D533,502 S * 12/2006 Wakefield D13/133
- D581,051 S 11/2008 Melder
- D587,804 S 3/2009 Ruiz et al.
- D607,032 S 12/2009 Halleck et al.
- D643,534 S 8/2011 Halleck et al.
- D651,312 S 12/2011 Halleck et al.
- D687,476 S 8/2013 Halleck et al.
- D695,228 S 12/2013 Halleck et al.
- D700,969 S * 3/2014 Kim D24/187
- D702,576 S * 4/2014 McKinney D10/106.1
- D718,442 S * 11/2014 Yoshida D24/138
- D729,166 S * 5/2015 Baba D13/133
- D743,040 S * 11/2015 Corbett, III D24/187
- D744,422 S * 12/2015 Landry D13/133
- D745,972 S * 12/2015 Kitayama D24/187

(Continued)

Primary Examiner — Thomas Johannes
Assistant Examiner — Shawn T Gingrich
 (74) *Attorney, Agent, or Firm* — Whitmyer IP Group LLC

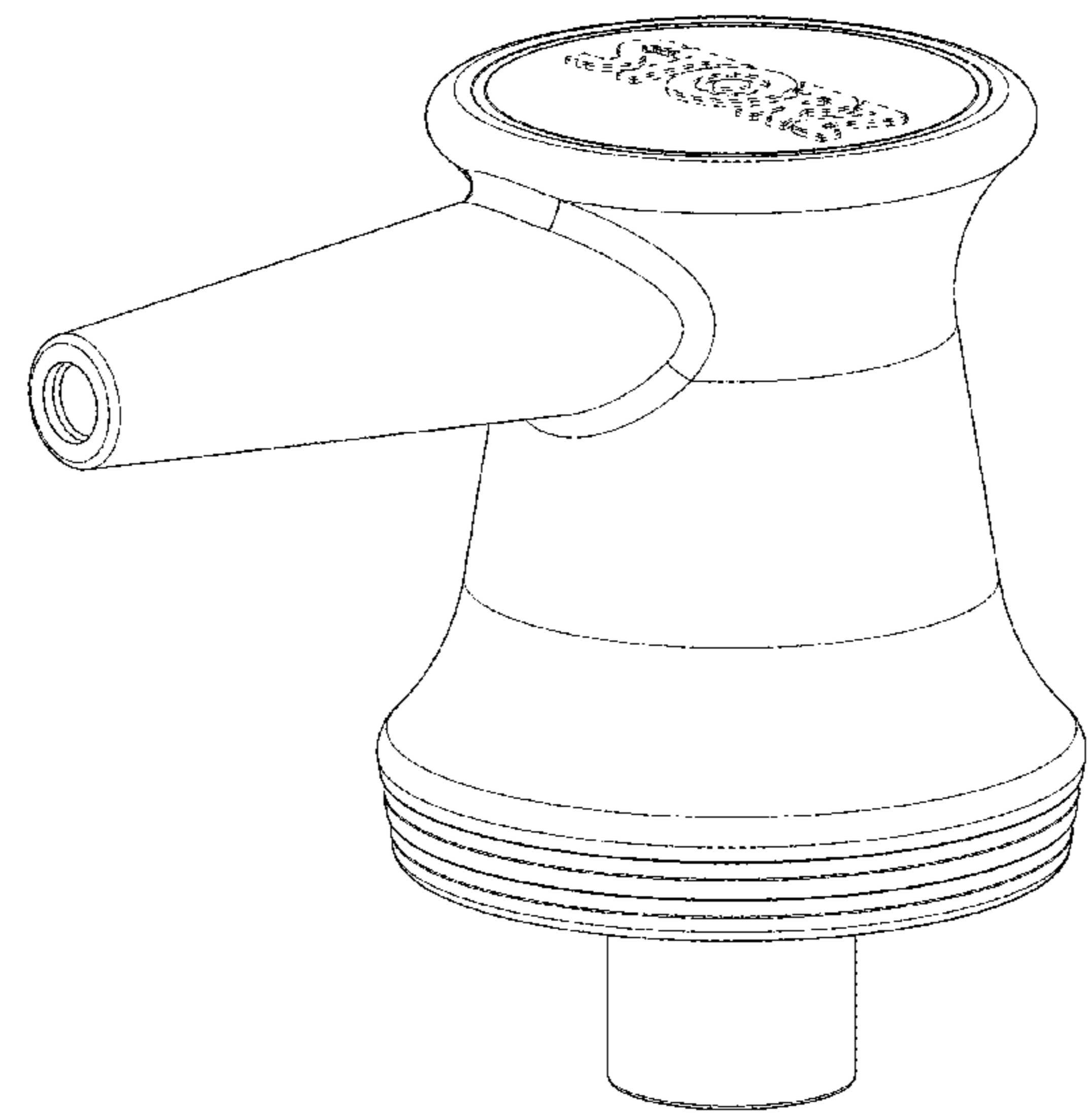
(57) **CLAIM**

The ornamental design for a video camera cable adapter and connector, as shown and described.

DESCRIPTION

FIG. 1 is a top, front and right side isometric view of a video camera cable adapter and connector in accordance with the new design;
 FIG. 2 is a top plan view thereof;
 FIG. 3 is a bottom plan view thereof;
 FIG. 4 is a right side elevational view thereof;
 FIG. 5 is a left side elevational view thereof;
 FIG. 6 is a front elevational view thereof; and,
 FIG. 7 is a rear elevational view thereof.
 The broken line portion of the figure drawings is included to show portions of the article and forms no part of the claimed design.

1 Claim, 7 Drawing Sheets



(56)

References Cited

U.S. PATENT DOCUMENTS

D776,803	S	*	1/2017	Gilbert	D24/109
D779,431	S	*	2/2017	Aishima	D13/133
2005/0267329	A1		12/2005	Konstorum et al.	
2007/0276183	A1		11/2007	Melder	
2010/0069711	A1		3/2010	Deng et al.	
2013/0112539	A1	*	5/2013	Cacioppo	H01H 9/00 200/506

* cited by examiner

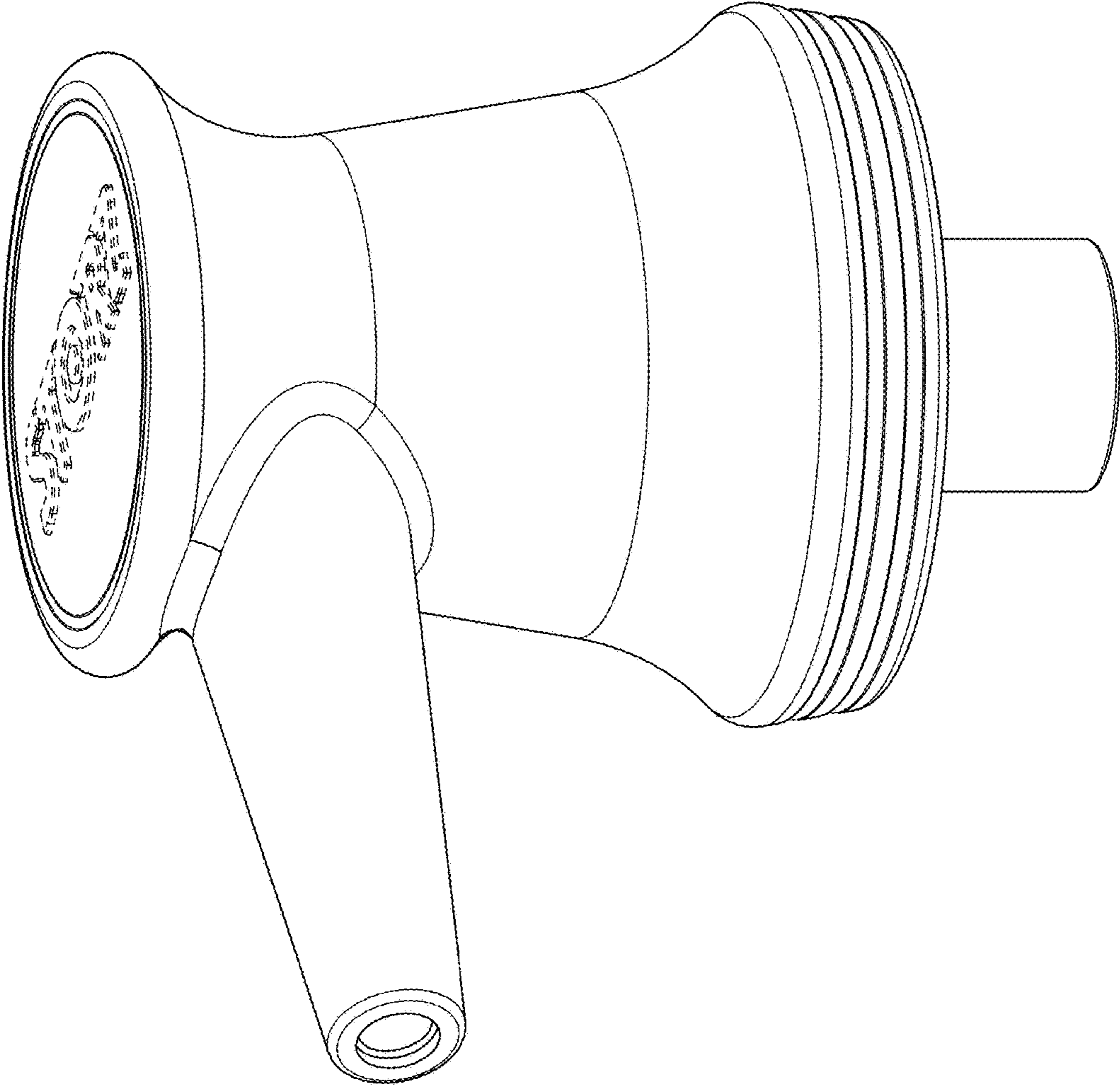


Fig. 1



Fig. 2

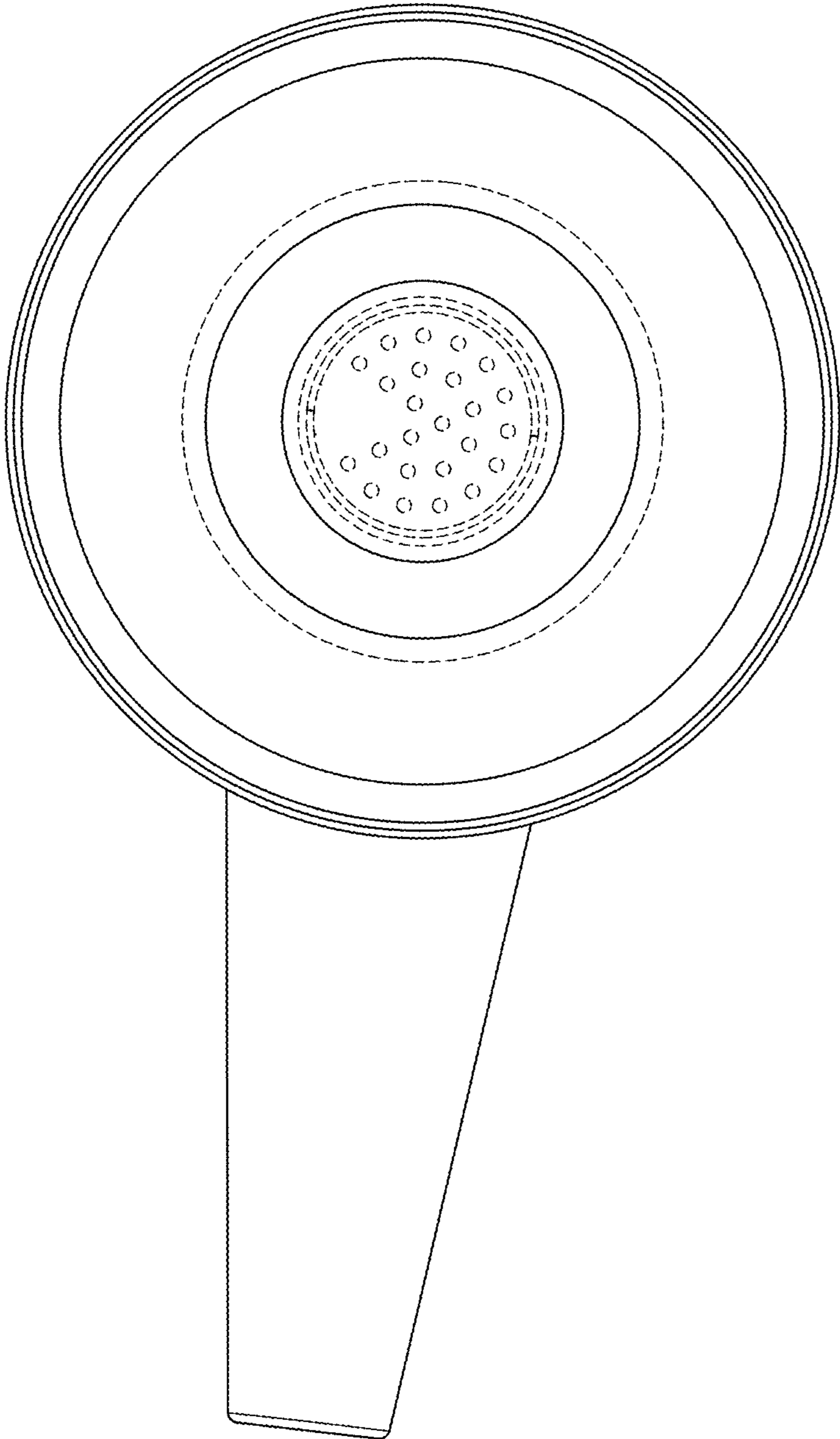


Fig. 3

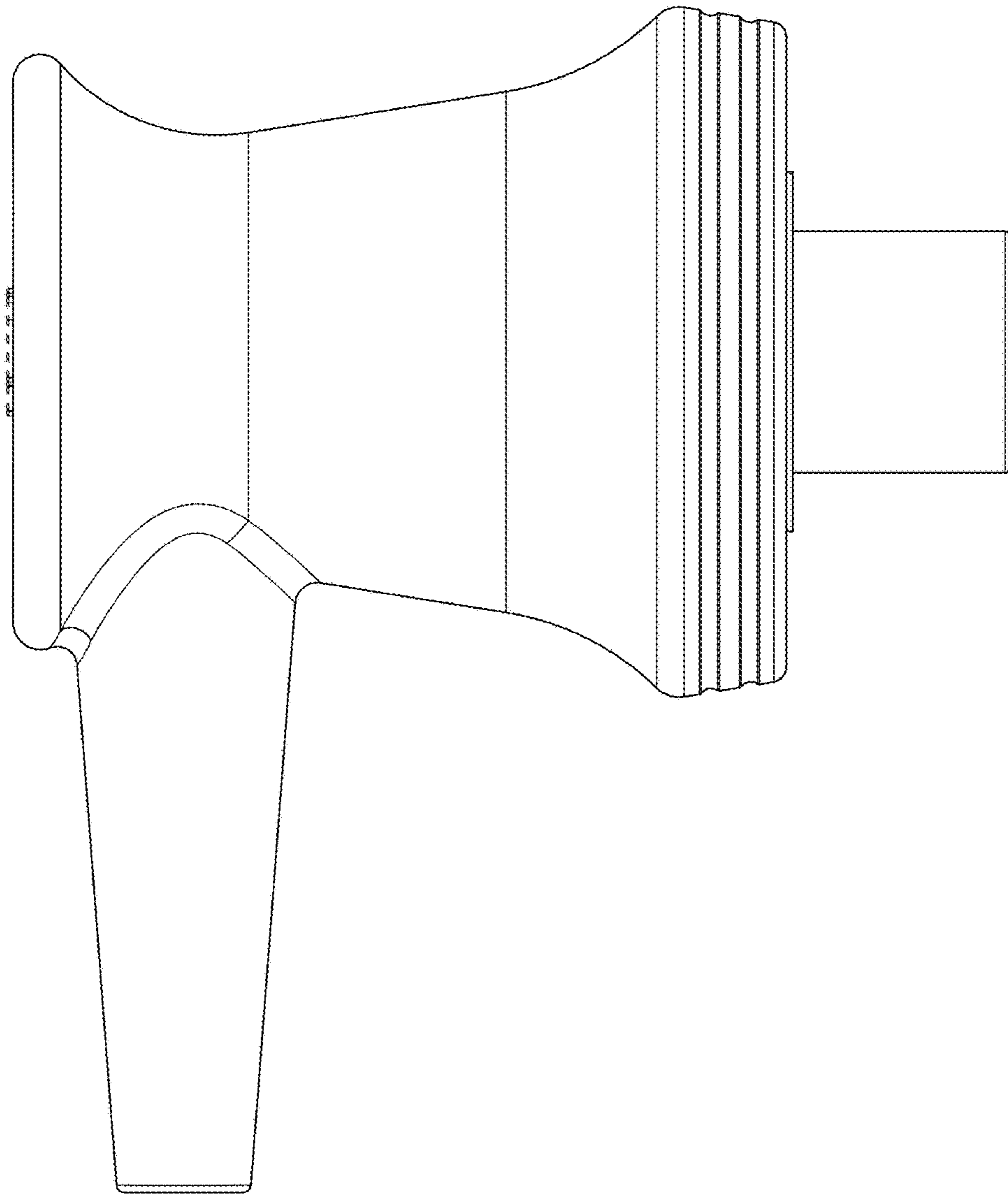


Fig. 4

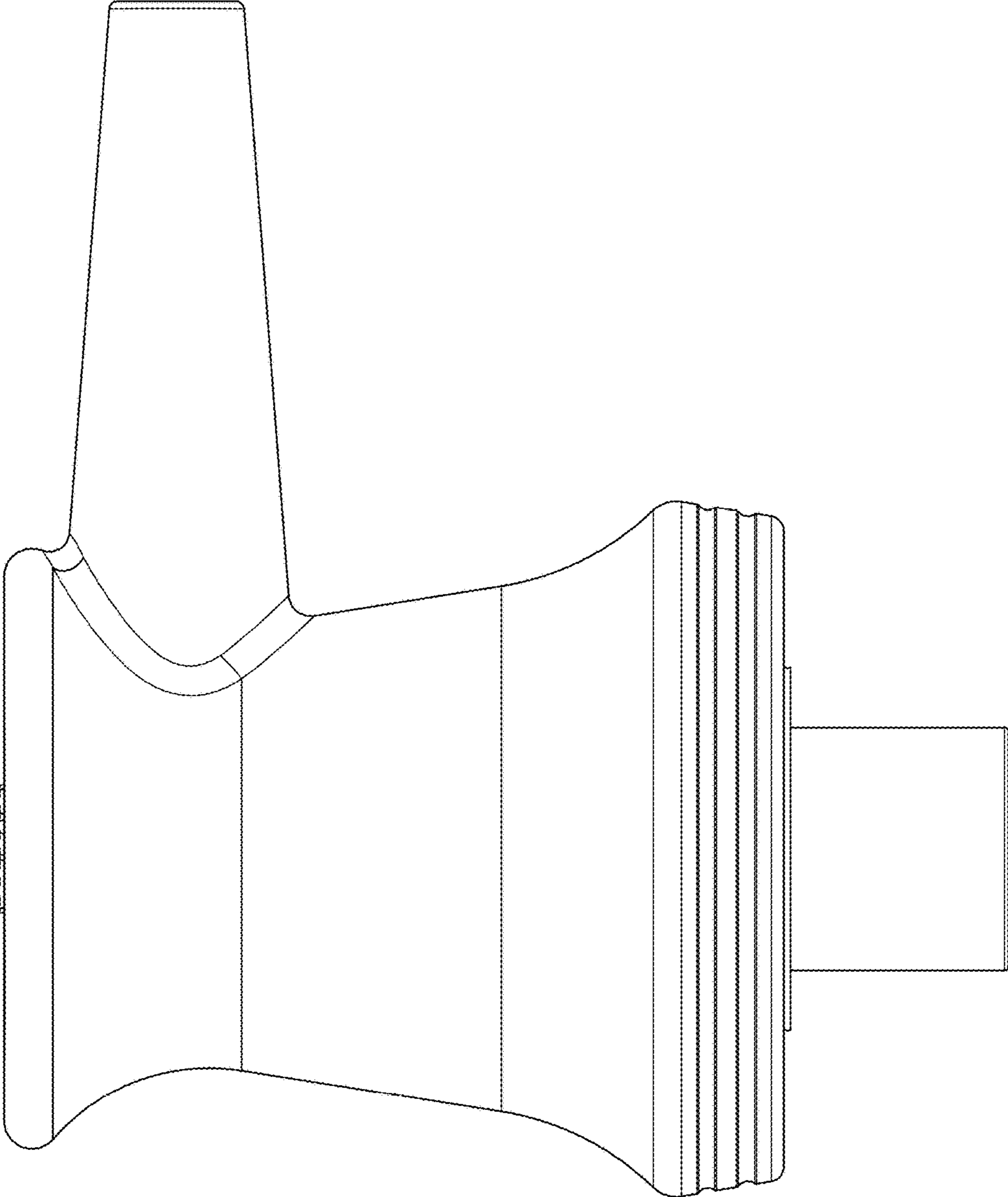


Fig. 5

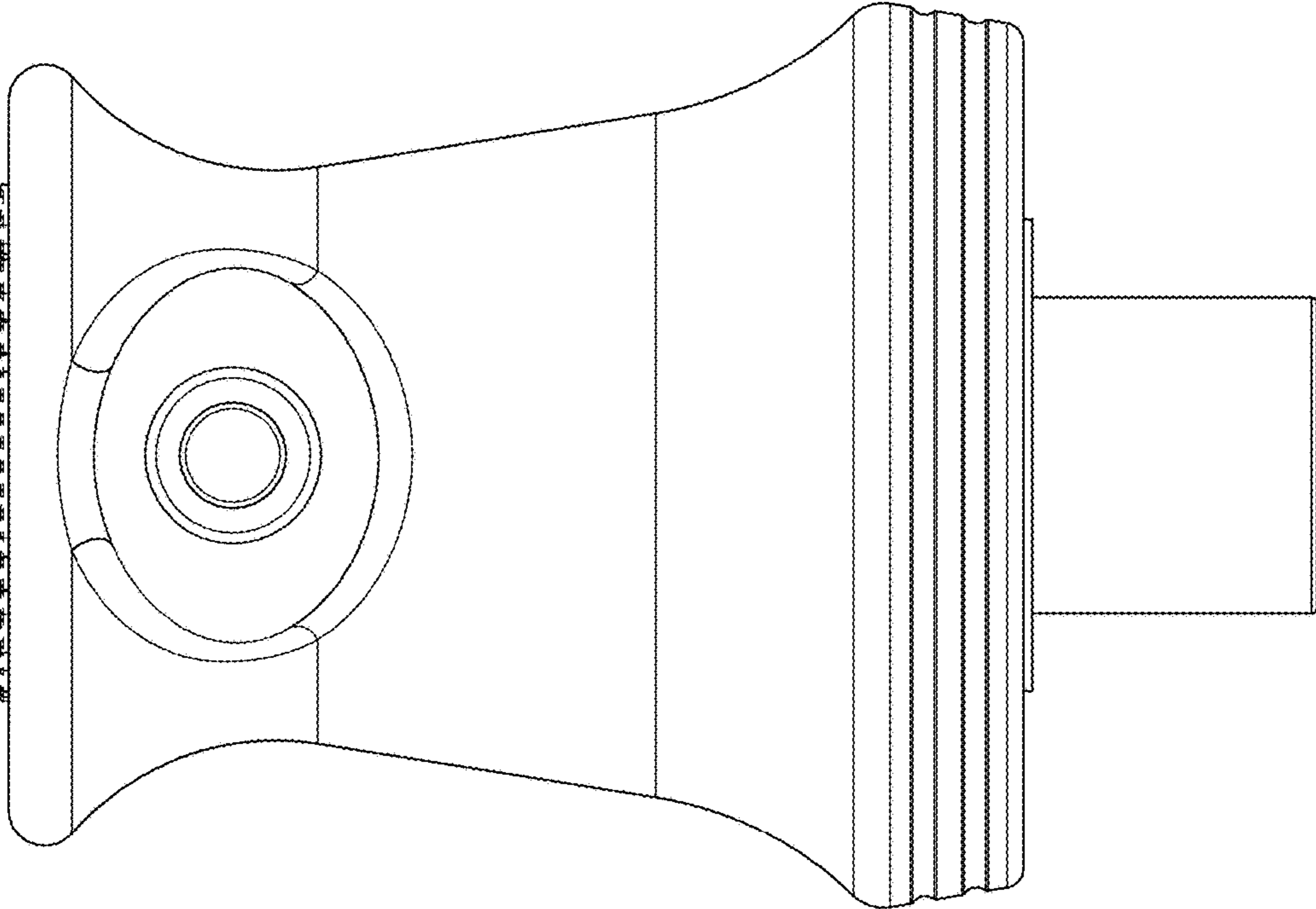


Fig. 6

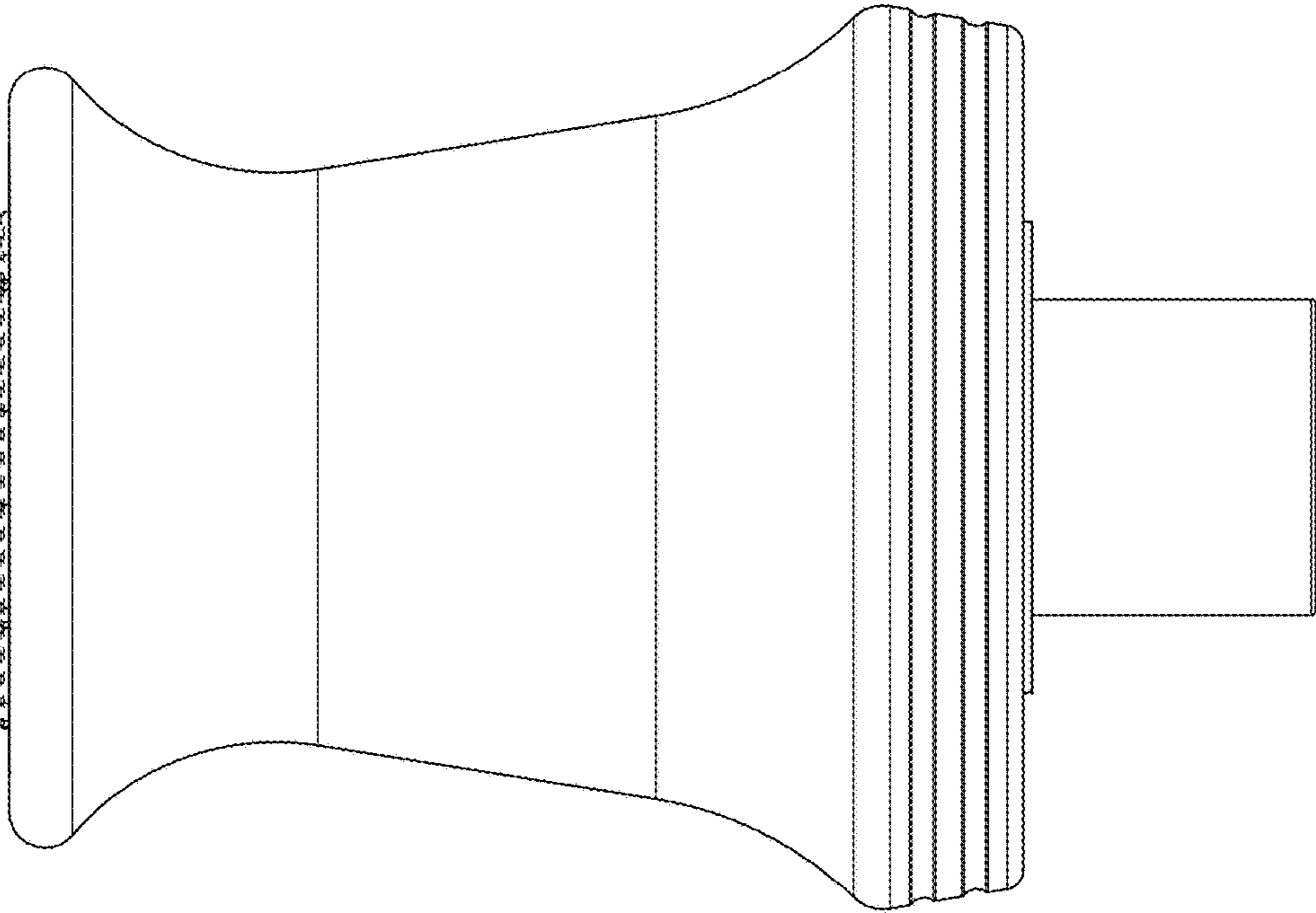


Fig. 7