



US00D801928S

(12) **United States Design Patent** (10) **Patent No.:** **US D801,928 S**
Yoshida et al. (45) **Date of Patent:** **** Nov. 7, 2017**

(54) **ROTOR FOR ROTARY ELECTRICAL MACHINE**
(71) Applicant: **EBARA CORPORATION**, Tokyo (JP)
(72) Inventors: **Kazutaka Yoshida**, Tokyo (JP); **Norihiko Noro**, Tokyo (JP); **Tadashi Kataoka**, Tokyo (JP)
(73) Assignee: **EBARA CORPORATION**, Tokyo (JP)
(**) Term: **14 Years**
(21) Appl. No.: **29/524,081**
(22) Filed: **Apr. 16, 2015**

5,323,080 A * 6/1994 Shahamat H02K 1/28
310/180
D353,600 S * 12/1994 Glass D15/7
D441,715 S * 5/2001 Sasaki D13/122
D447,148 S * 8/2001 Antony D15/7
D726,110 S * 4/2015 Wang D13/122
D741,260 S * 10/2015 Yabuuchi D13/112
D776,055 S * 1/2017 Wallace D13/112
2005/0184614 A1 * 8/2005 Lacaze H02K 3/12
310/261.1
2006/0022541 A1 * 2/2006 Ong H02K 1/28
310/156.53
2008/0315691 A1 * 12/2008 Jeung H02K 1/2733
310/156.12
2010/0225194 A1 * 9/2010 Bahadir H02K 1/26
310/216.058
2012/0049662 A1 * 3/2012 Ions H02K 15/03
310/43

(Continued)

(30) **Foreign Application Priority Data**
Oct. 17, 2014 (JP) 2014-023329
Oct. 17, 2014 (JP) 2014-023330
Oct. 17, 2014 (JP) 2014-023331
Oct. 17, 2014 (JP) 2014-023332
(51) **LOC (10) Cl.** **13-02**
(52) **U.S. Cl.**
USPC **D13/122; D15/7**
(58) **Field of Classification Search**
USPC D13/122, 112; D15/7; 310/156.12, 90.5,
310/261.1
CPC H02K 1/28; H02K 15/03; F03D 80/70;
F05D 2240/60
See application file for complete search history.

FOREIGN PATENT DOCUMENTS

JP 2000-134839 A 5/2000
Primary Examiner — Susan Bennett Hattan
Assistant Examiner — Brett Miller
(74) *Attorney, Agent, or Firm* — Pearne & Gordon LLP

(57) **CLAIM**

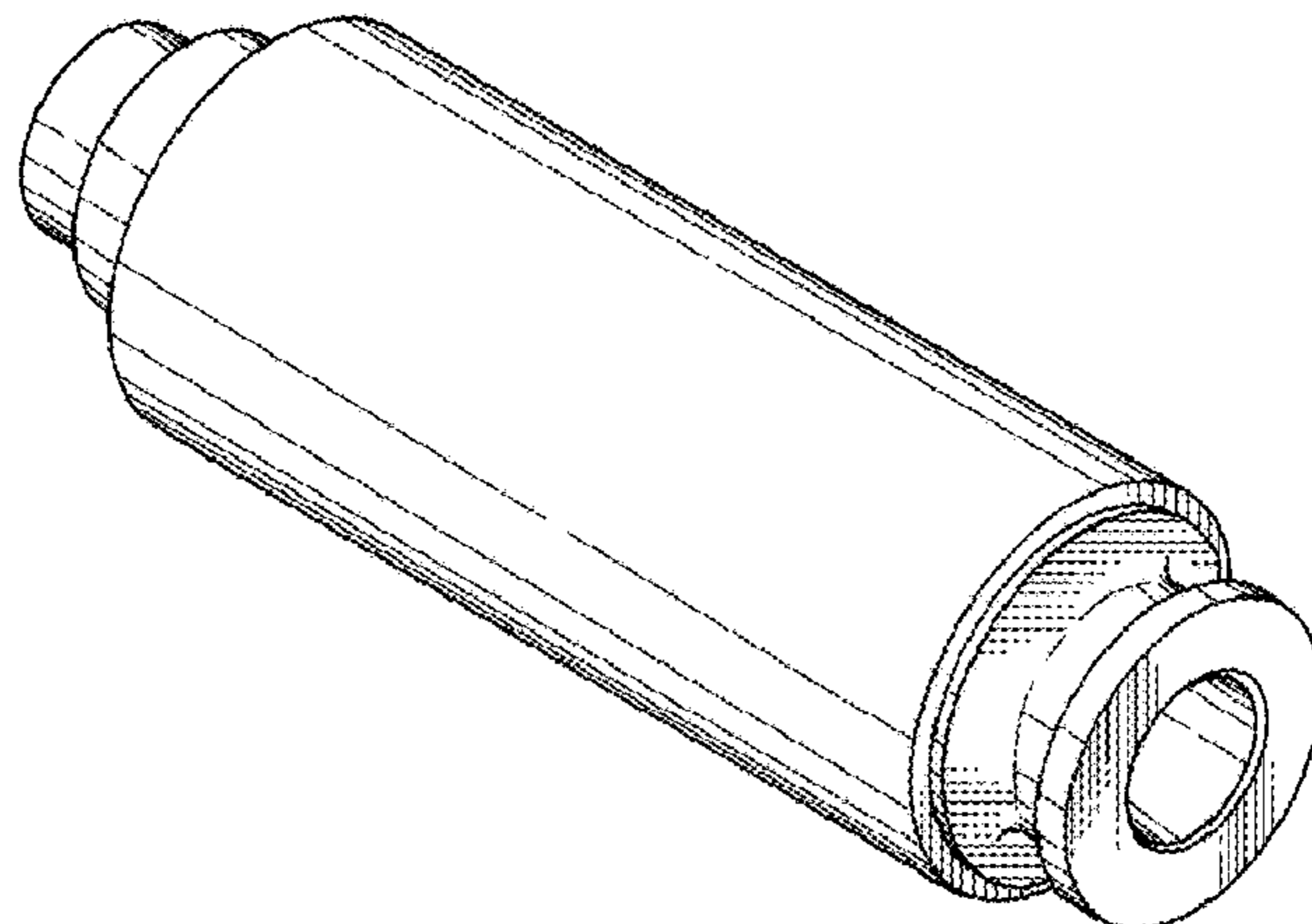
The ornamental design for a rotor for rotary electrical machine, as shown and described.

DESCRIPTION

FIG. 1 is a perspective view of a rotor for rotary electrical machine showing our new design;
FIG. 2 is a front view thereof, a bottom view and a plan view being identical thereto;
FIG. 3 is a rear view thereof;
FIG. 4 is a right side view thereof;
FIG. 5 is a left side view thereof; and,
FIG. 6 is a cross-section view thereof taken along the line 6-6 of FIG. 4.

1 Claim, 2 Drawing Sheets

(56) **References Cited**
U.S. PATENT DOCUMENTS
3,694,906 A * 10/1972 Rank H02K 1/28
29/447
D256,351 S * 8/1980 Schulze D13/122
4,614,888 A * 9/1986 Mosher H02K 1/28
310/216.122



(56)

References Cited

U.S. PATENT DOCUMENTS

2012/0062050 A1* 3/2012 Horng H02K 1/28
310/43
2014/0097721 A1* 4/2014 Lang H02K 1/28
310/264
2015/0357871 A1* 12/2015 Kim H02K 1/28
310/51
2017/0012500 A1* 1/2017 Brauer H02K 9/19

* cited by examiner

FIG. 1

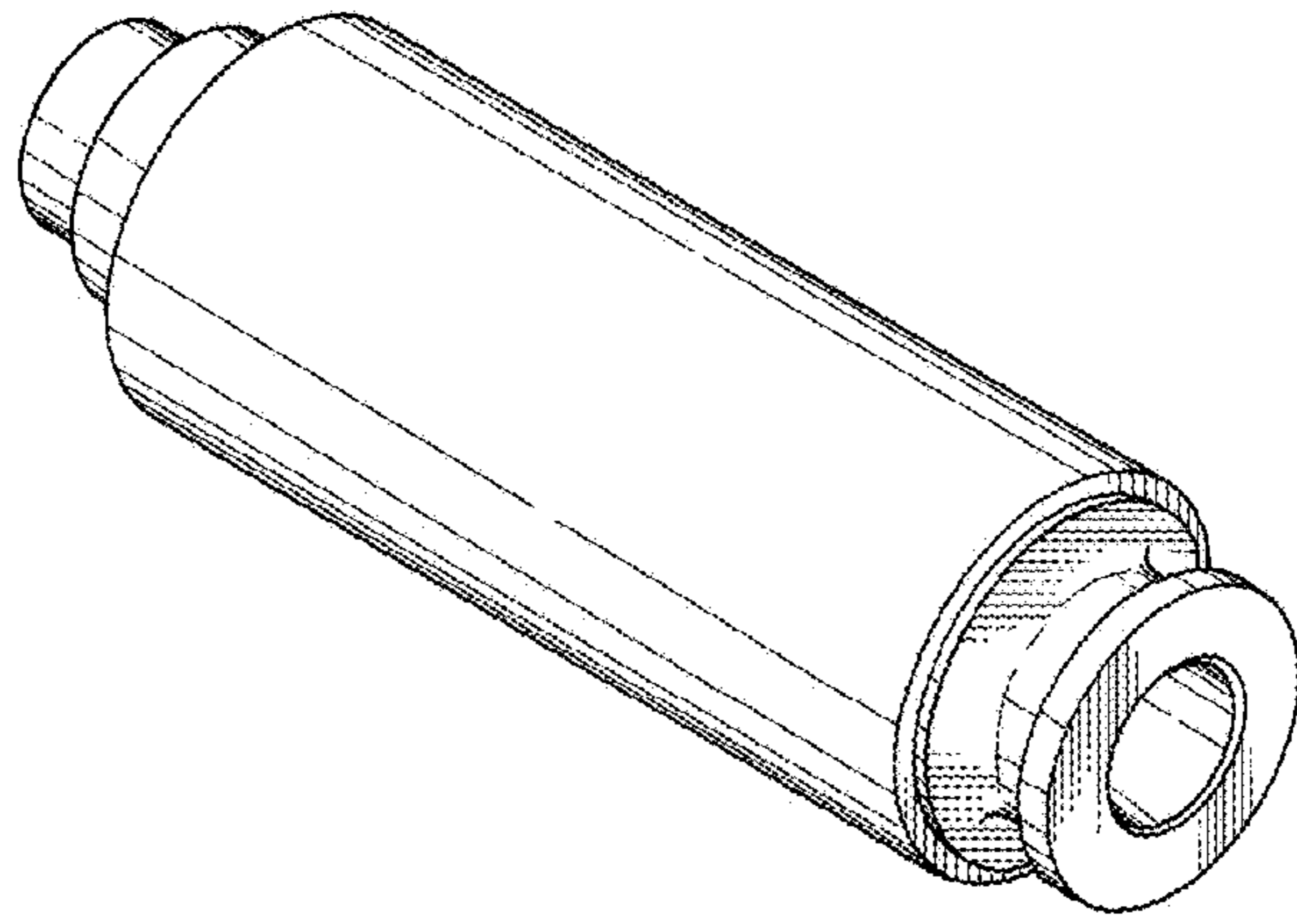


FIG. 2

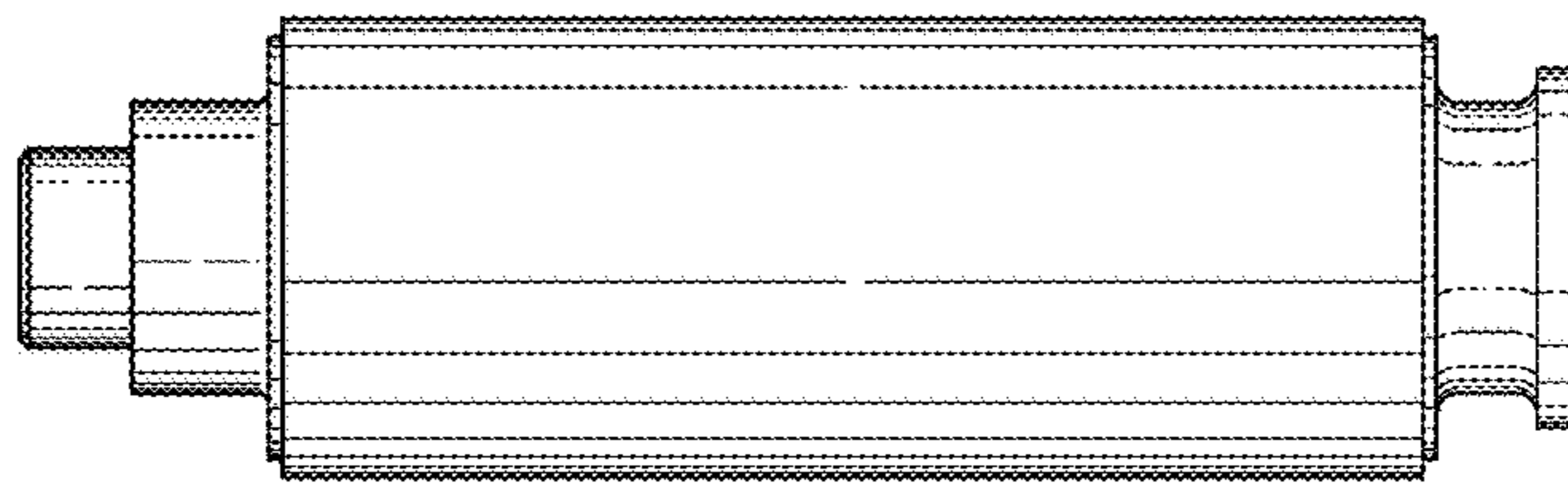


FIG. 3

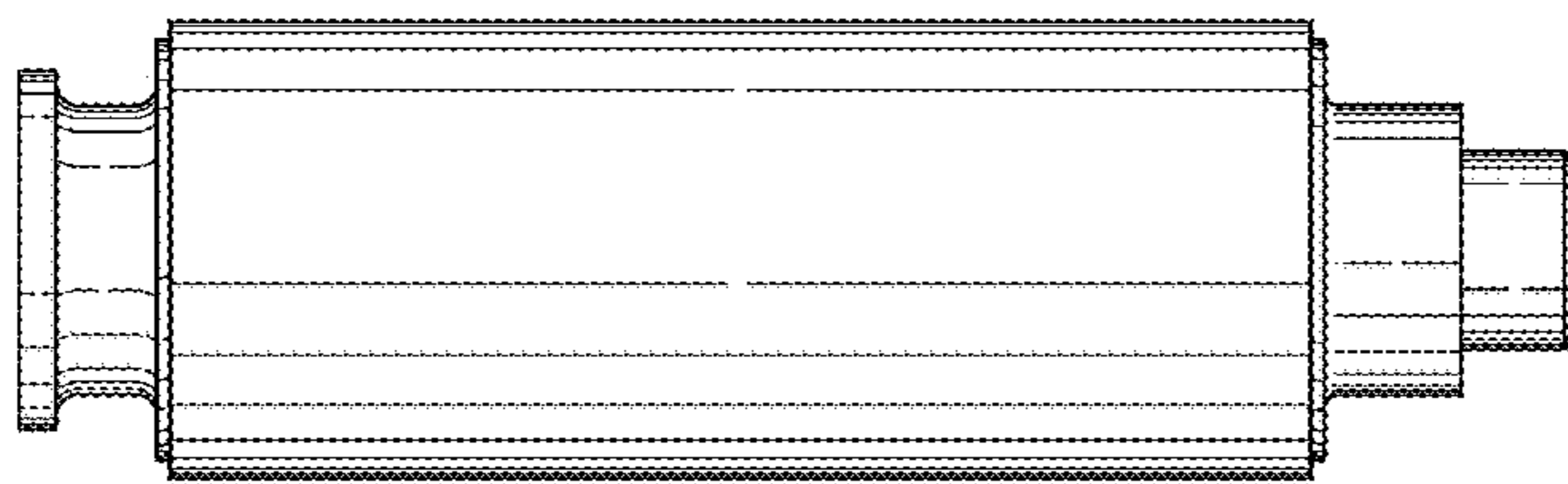


FIG. 4

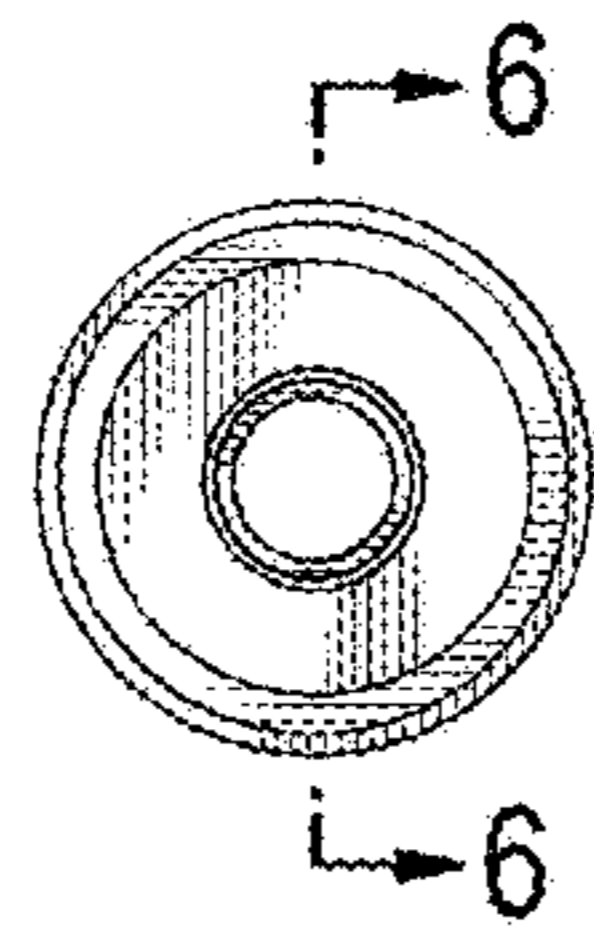


FIG. 5

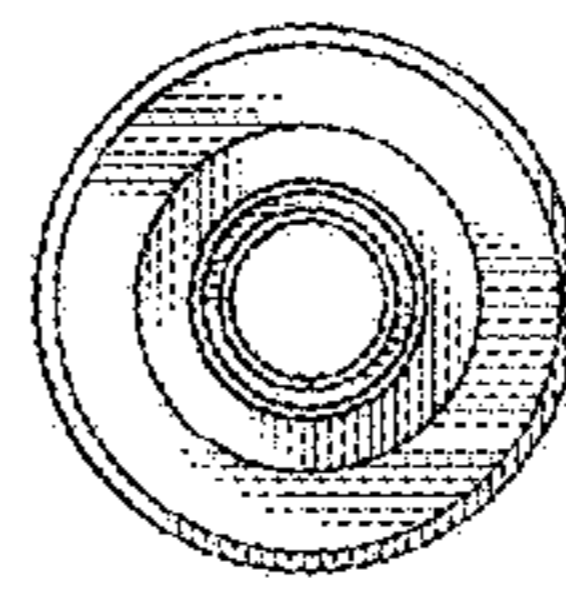


FIG. 6

