



US00D801927S

(12) **United States Design Patent**
Cooper, II

(10) **Patent No.:** **US D801,927 S**

(45) **Date of Patent:** **** Nov. 7, 2017**

(54) **HORIZONTAL AXIS WIND TURBINE WITH FLOW-THROUGH HUB AND NACELLE AND TANDEM BLADE CONFIGURATION**

(71) Applicant: **Raymond Cooper, II**, Mitchellville, MD (US)

(72) Inventor: **Raymond Cooper, II**, Mitchellville, MD (US)

(**) Term: **14 Years**

(21) Appl. No.: **29/502,344**

(22) Filed: **Sep. 15, 2014**

(51) **LOC (10) Cl.** **13-01**

(52) **U.S. Cl.**
USPC **D13/115**

(58) **Field of Classification Search**
USPC D12/214, 343, 344, 345; D13/101, 114, D13/115, 118, 122, 184, 199; D15/1, 5, D15/199; D21/450, 453, 458, 461; D23/377, 379, 411, 413
CPC Y02E 10/70; Y02E 10/72; Y02E 10/223; Y02E 10/721; Y02E 10/726; F03B 3/04; F03B 3/126

See application file for complete search history.

(56) **References Cited**

U.S. PATENT DOCUMENTS

D223,218 S *	3/1972	Martens	D12/214
D240,810 S *	8/1976	Meyerhoff	D12/214
D319,210 S *	8/1991	Koepsel	D12/214
D321,165 S *	10/1991	Habe	D12/214
D324,201 S *	2/1992	Hannon	D12/214
5,158,433 A *	10/1992	Cleary	B63H 21/38 29/889.6
D432,621 S *	10/2000	Etschel	D12/214
6,168,373 B1 *	1/2001	Vauthier	F03B 13/10 415/221

D465,841 S *	11/2002	Dye	D23/411
D471,269 S *	3/2003	Gajewski	D23/377
D478,598 S *	8/2003	Gozdinsky	D15/5
D566,829 S *	4/2008	Parker	D23/411
D578,460 S *	10/2008	Tymark	D12/214
7,559,191 B2 *	7/2009	Parks	B64C 11/001 416/245 R
D608,736 S *	1/2010	Brock	D13/115
7,946,803 B2 *	5/2011	Wobben	F03D 1/0641 415/4.3
D658,124 S *	4/2012	Lee	D13/115
D677,612 S *	3/2013	Janecke	D12/214
D695,683 S *	12/2013	Al	D13/115
D725,252 S *	3/2015	Hamada	D12/214

* cited by examiner

Primary Examiner — Garth Rademaker

Assistant Examiner — Richard Kearney

(74) *Attorney, Agent, or Firm* — Quickpatents, LLC; Kevin Prince

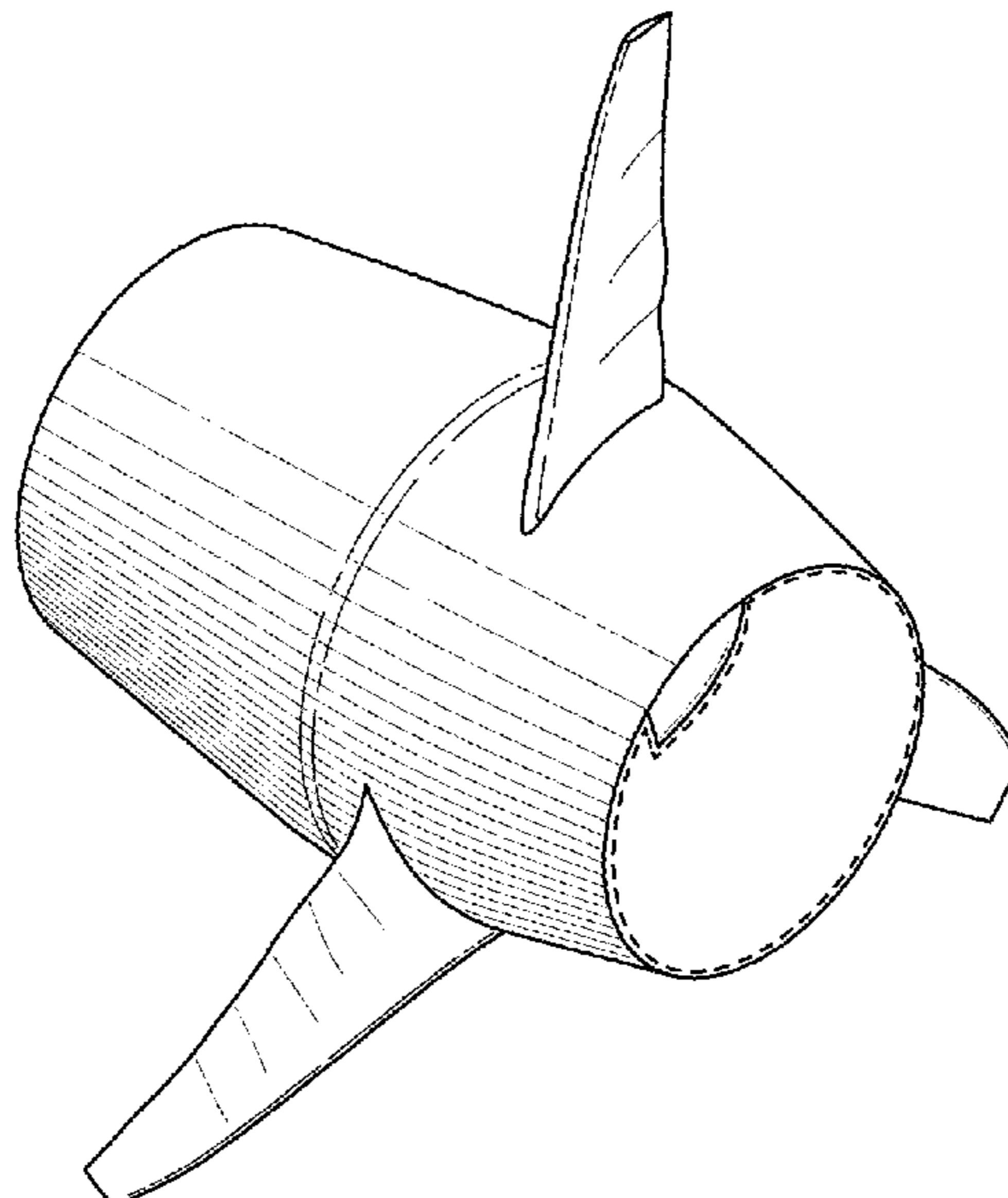
(57) **CLAIM**

I claim the ornamental design for a horizontal axis wind turbine with flow-through hub and nacelle and tandem blade configuration, as shown and described.

DESCRIPTION

FIG. 1 is a front perspective view of a horizontal axis wind turbine with flow-through hub and nacelle and tandem blade configuration, showing my new design; FIG. 2 is a rear perspective view thereof; FIG. 3 is a front elevational view thereof; FIG. 4 is a rear elevational view thereof; FIG. 5 is a left-side elevational view thereof; FIG. 6 is a right-side elevational view thereof; FIG. 7 is a top plan view thereof; and, FIG. 8 is a bottom plan view thereof. The broken lines in FIGS. 1-4 illustrate portions of the wind turbine that form no part of the claimed design.

1 Claim, 4 Drawing Sheets



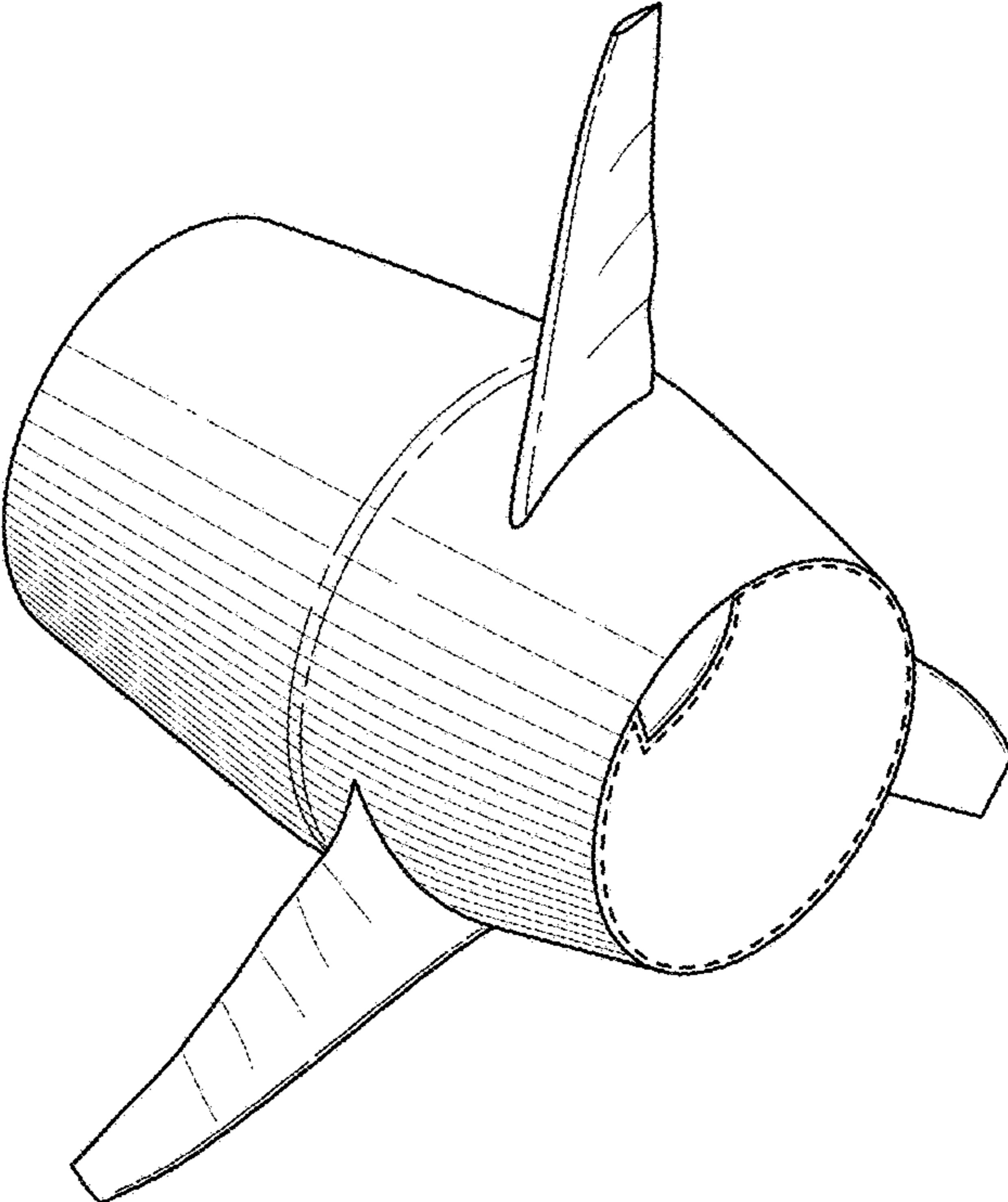


FIG. 1

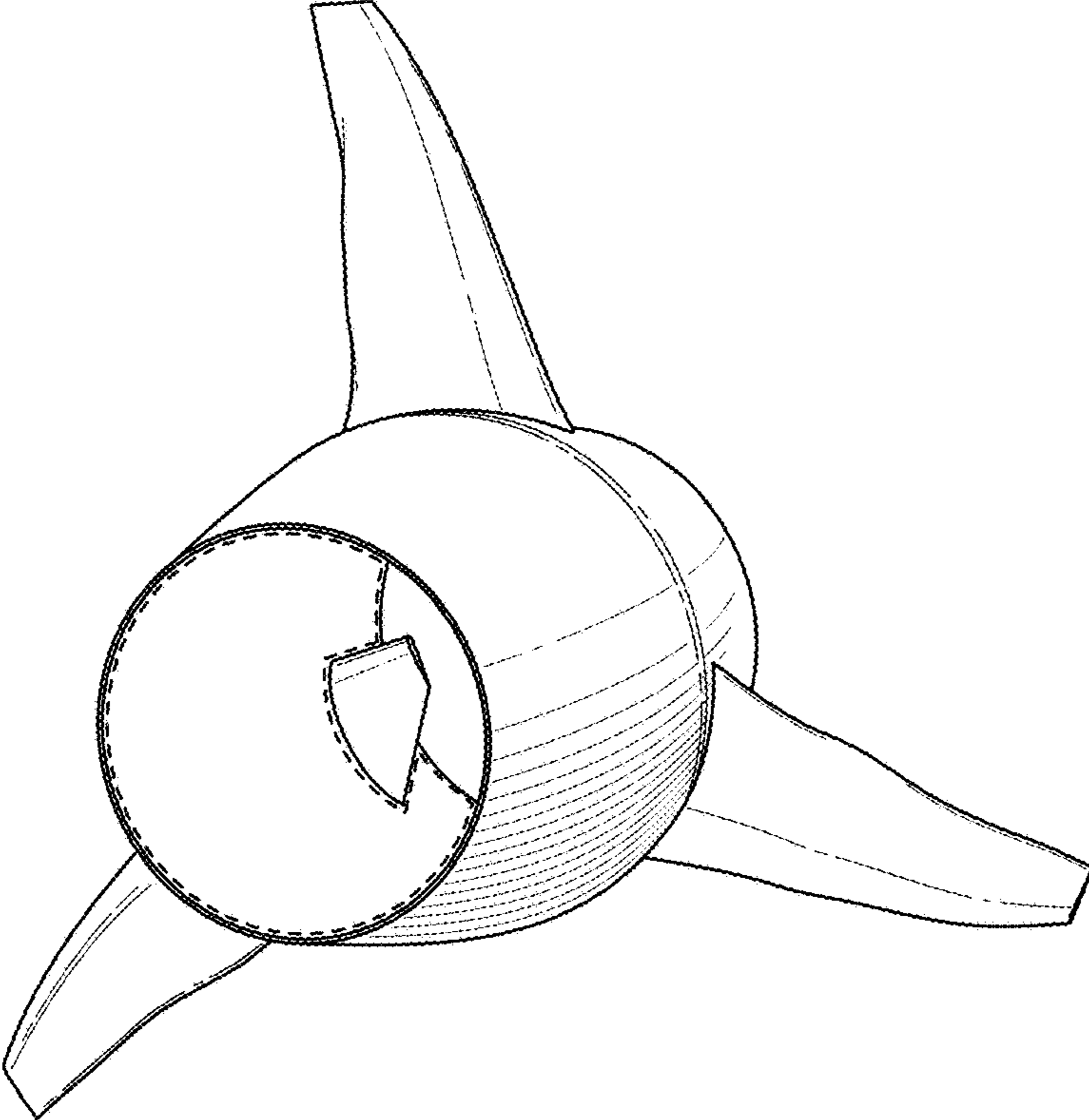


FIG. 2

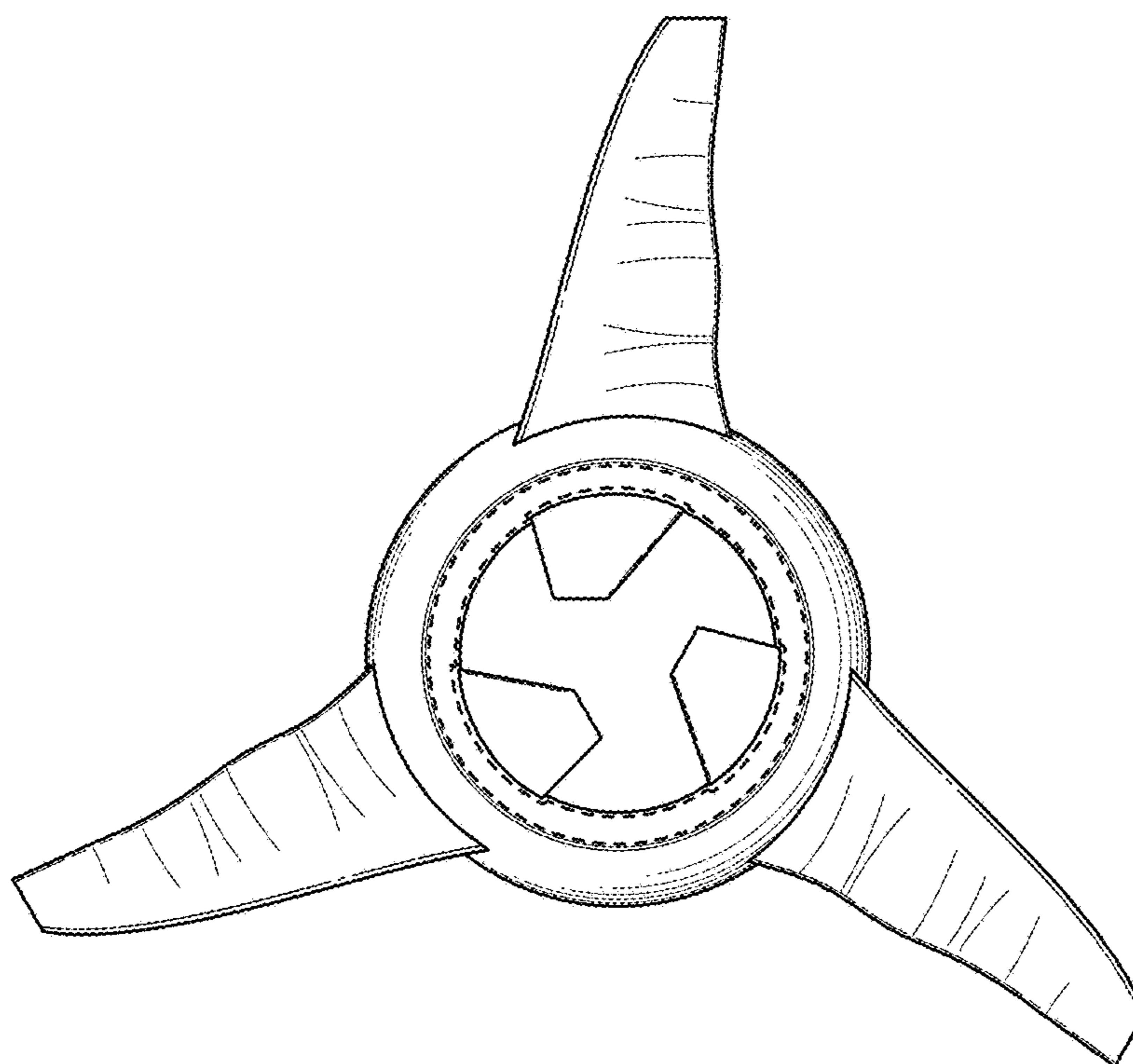


FIG. 3

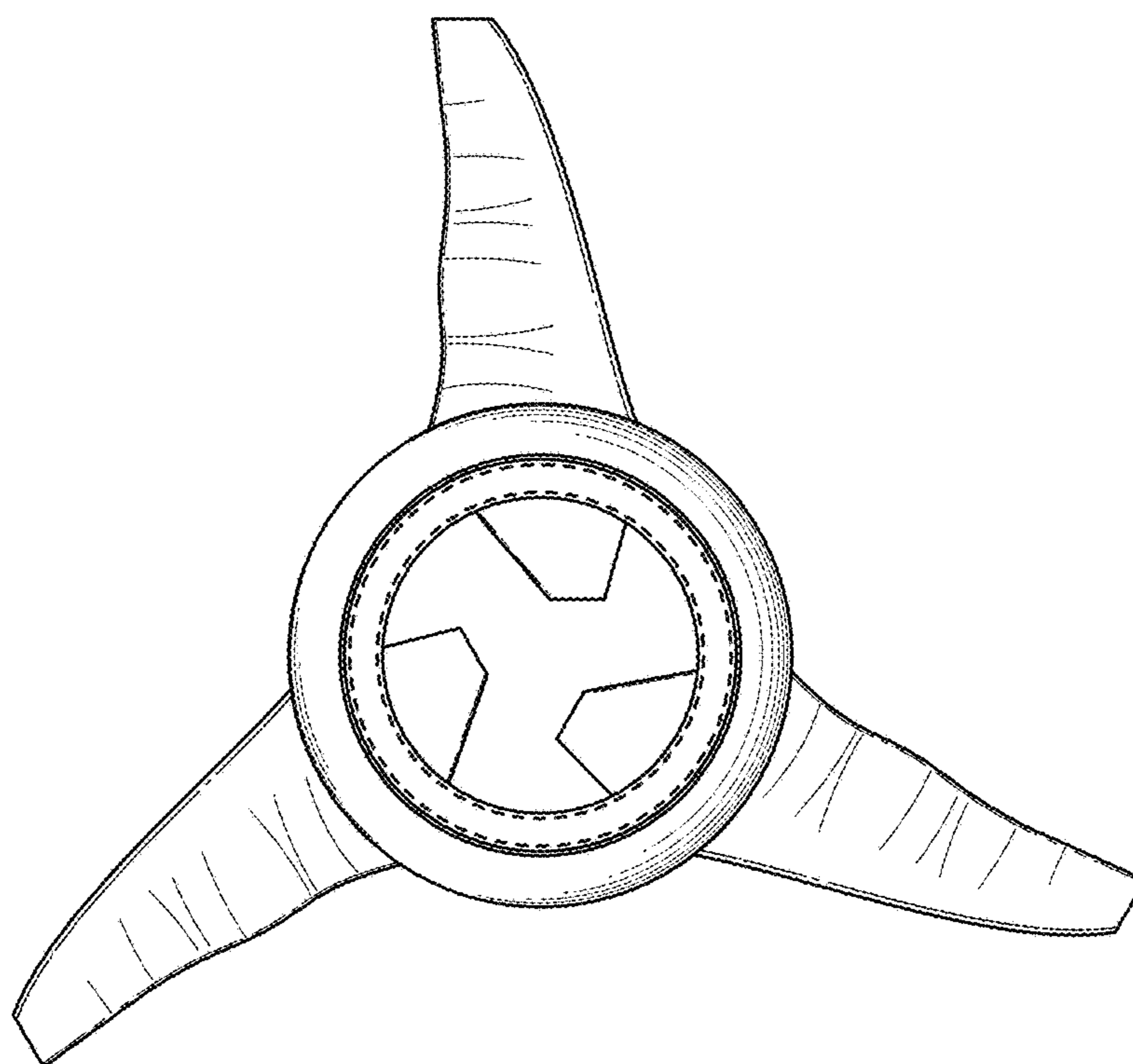


FIG. 4

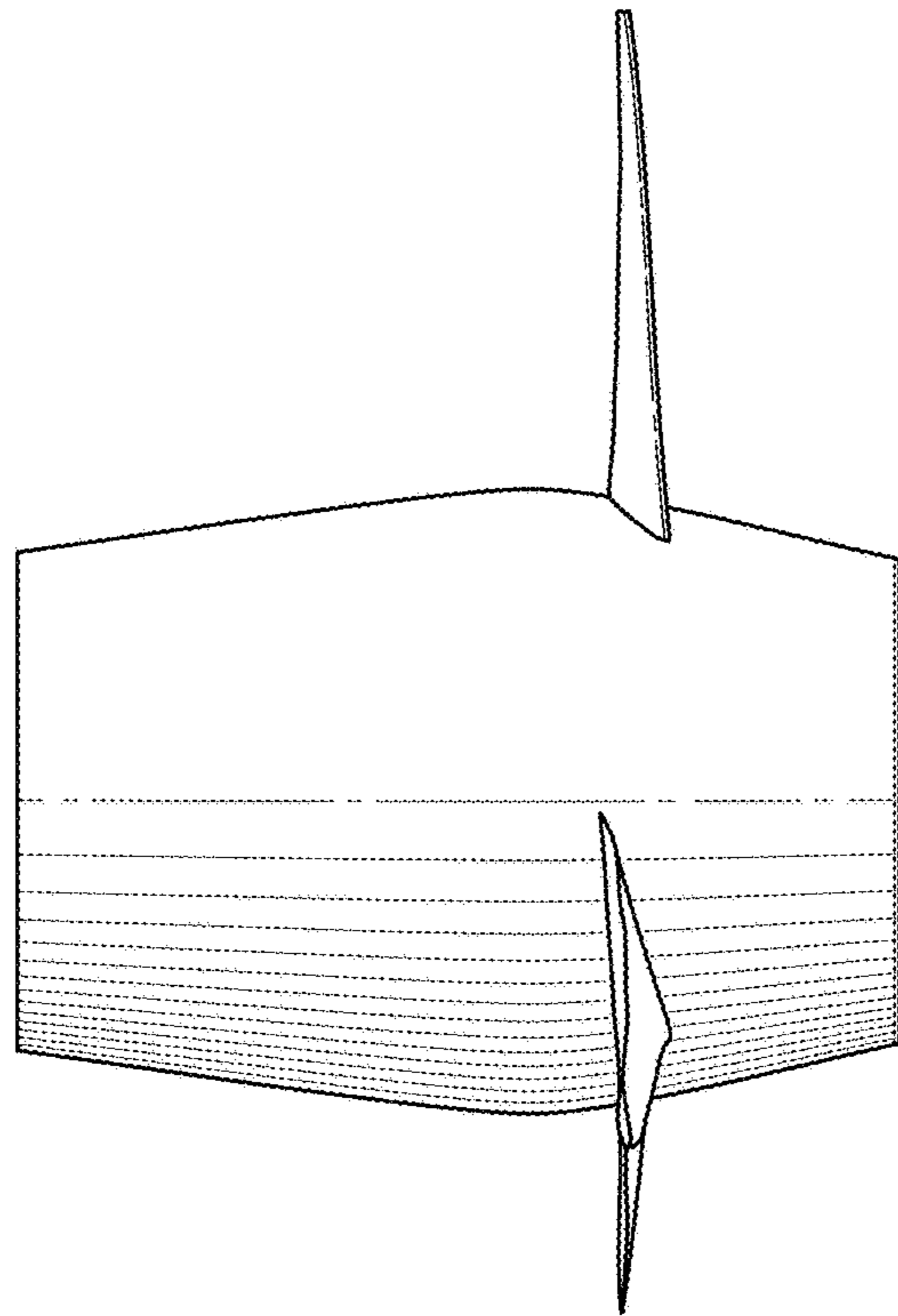


FIG. 5

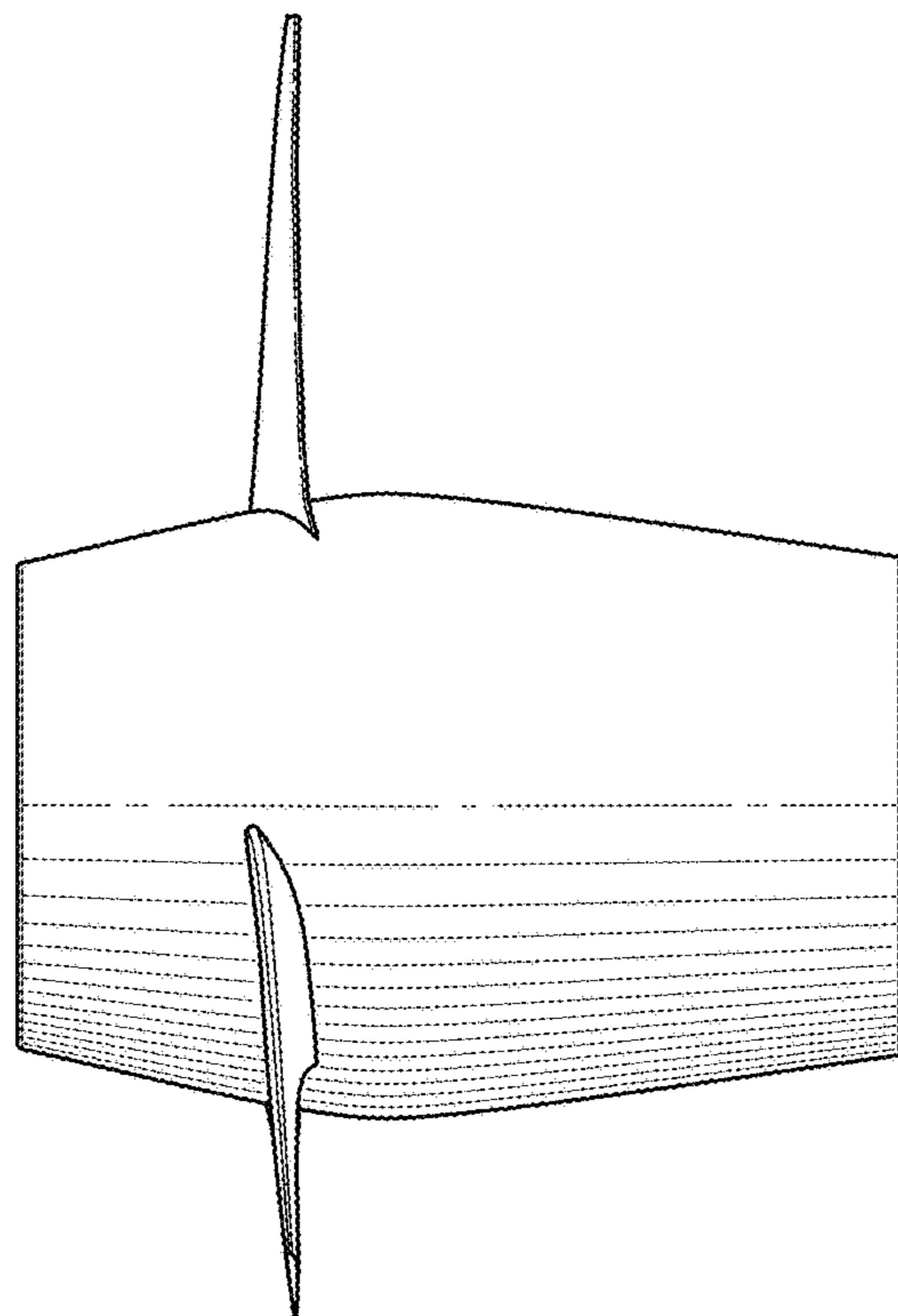


FIG. 6

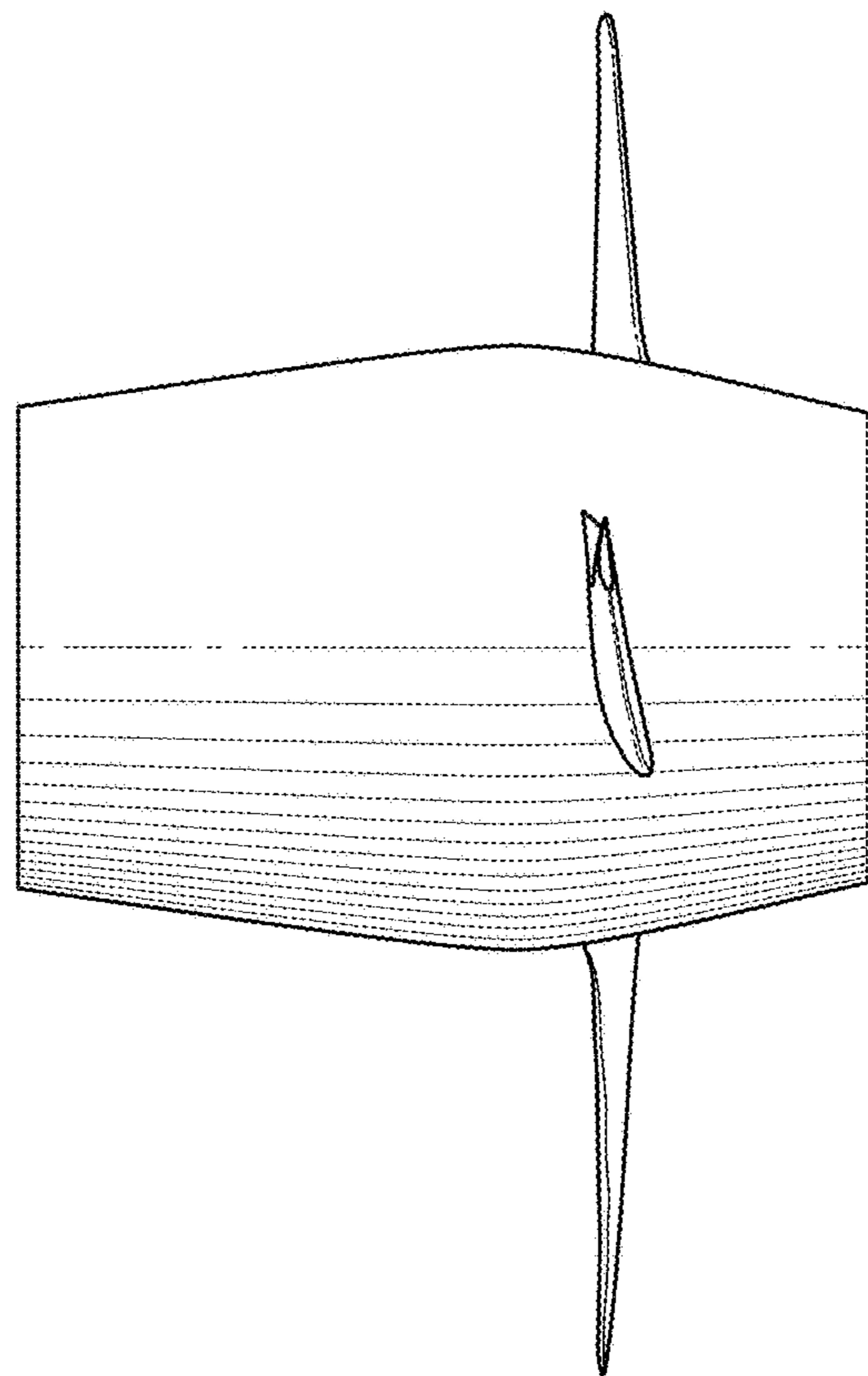


FIG. 7

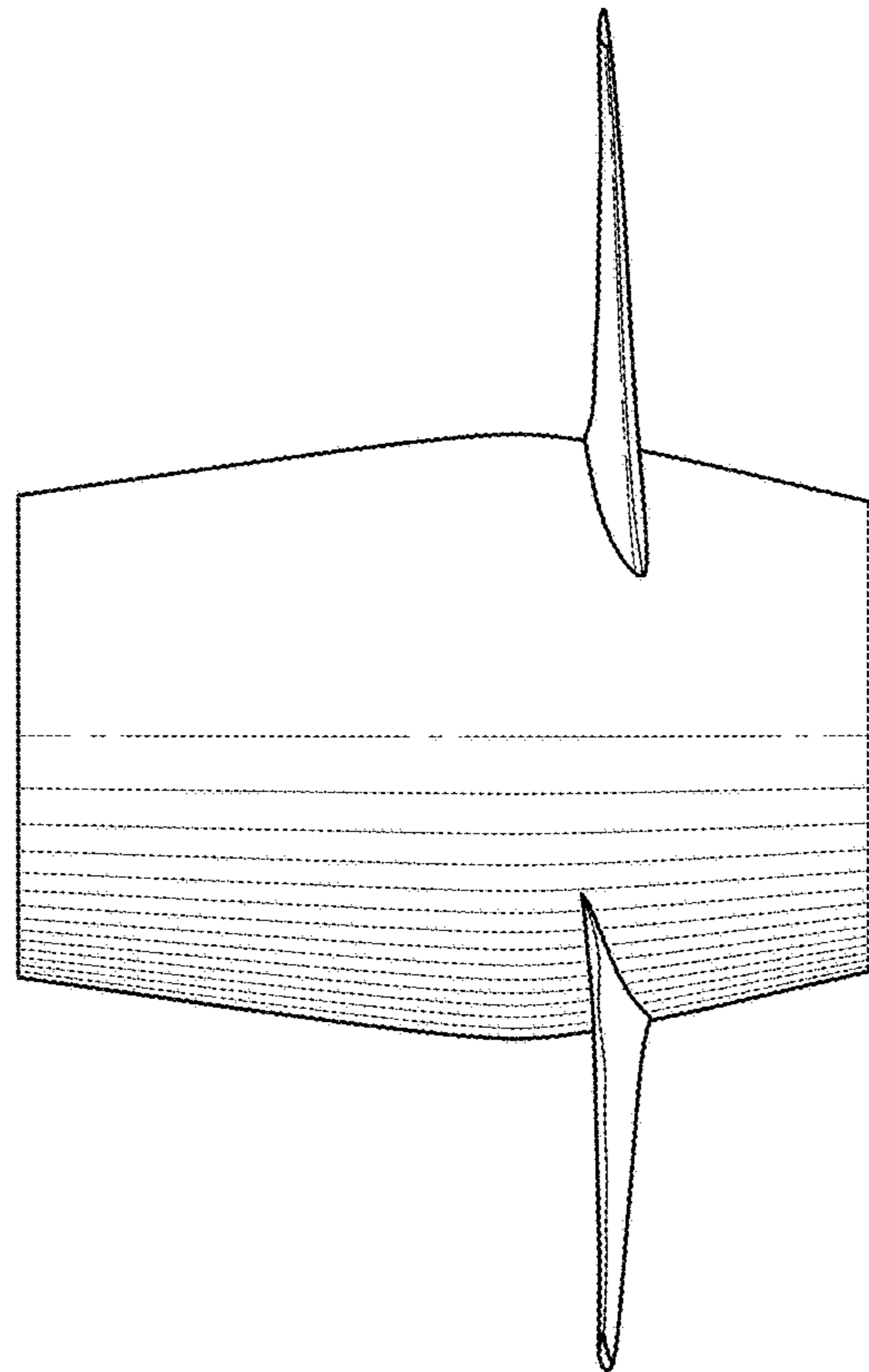


FIG. 8