



US00D801926S

(12) **United States Design Patent**  
**Sakai et al.**

(10) **Patent No.:** **US D801,926 S**  
(45) **Date of Patent:** **\*\* Nov. 7, 2017**

- (54) **MOTOR**
- (71) Applicant: **MITSUBISHI ELECTRIC CORPORATION**, Tokyo (JP)
- (72) Inventors: **Shin Sakai**, Tokyo (JP); **Hitomi Yanamura**, Tokyo (JP); **Takenori Baba**, Tokyo (JP)
- (73) Assignee: **Mitsubishi Electric Corporation**, Tokyo (JP)
- (\*\*) Term: **15 Years**
- (21) Appl. No.: **29/573,158**
- (22) Filed: **Aug. 3, 2016**
- (30) **Foreign Application Priority Data**  
Feb. 15, 2016 (JP) ..... 2016-003133
- (51) **LOC (10) Cl.** ..... **13-01**
- (52) **U.S. Cl.**  
USPC ..... **D13/112**
- (58) **Field of Classification Search**  
USPC ..... D13/112, 101, 113, 114, 199; D15/1, 3, D15/5; 91/197; 310/47, 89, 113, 166, 91  
CPC ..... H02K 11/33; H02K 5/10  
See application file for complete search history.

- (56) **References Cited**  
**U.S. PATENT DOCUMENTS**  
D167,140 S \* 7/1952 Dochterman ..... D13/112  
D169,487 S \* 5/1953 Horvath ..... D13/112  
D174,491 S \* 4/1955 Lima ..... D13/112  
D205,662 S \* 9/1966 Bluemink ..... D13/112  
D213,563 S \* 3/1969 Mabuchi ..... D13/112  
4,586,880 A \* 5/1986 Inao ..... H02K 5/10  
310/88  
D297,426 S \* 8/1988 Mabuchi ..... D13/112  
D298,228 S \* 10/1988 Hoshino ..... D13/112  
D301,454 S \* 6/1989 Hara ..... D13/112  
D304,169 S \* 10/1989 Hoshino ..... D13/112  
D325,560 S \* 4/1992 Baines ..... D13/112

- D329,839 S \* 9/1992 Ehrhart ..... D13/112
  - D332,081 S \* 12/1992 Sieber ..... D13/112
  - D601,958 S \* 10/2009 Huan ..... D13/112
  - D603,793 S \* 11/2009 Lindberg ..... D13/112
  - D697,586 S \* 1/2014 Muday ..... D23/233
- (Continued)

**OTHER PUBLICATIONS**

Ink Key posted by Akiyama PPE posted date Dec. 22, 2016, © Amazon.com, [online], [site visited Aug. 11, 2017]. <[https://www.amazon.com/Ink-Motors-Akiyama-Bestech-High/dp/B01N2WMQXU/ref=sr\\_1\\_15?ie=UTF8&qid=1502499162&sr=8-15&keywords=ink+key+motors](https://www.amazon.com/Ink-Motors-Akiyama-Bestech-High/dp/B01N2WMQXU/ref=sr_1_15?ie=UTF8&qid=1502499162&sr=8-15&keywords=ink+key+motors)>.\*

(Continued)

*Primary Examiner* — Cynthia Ramirez  
*Assistant Examiner* — Laura Yu  
(74) *Attorney, Agent, or Firm* — Studebaker & Brackett PC

(57) **CLAIM**

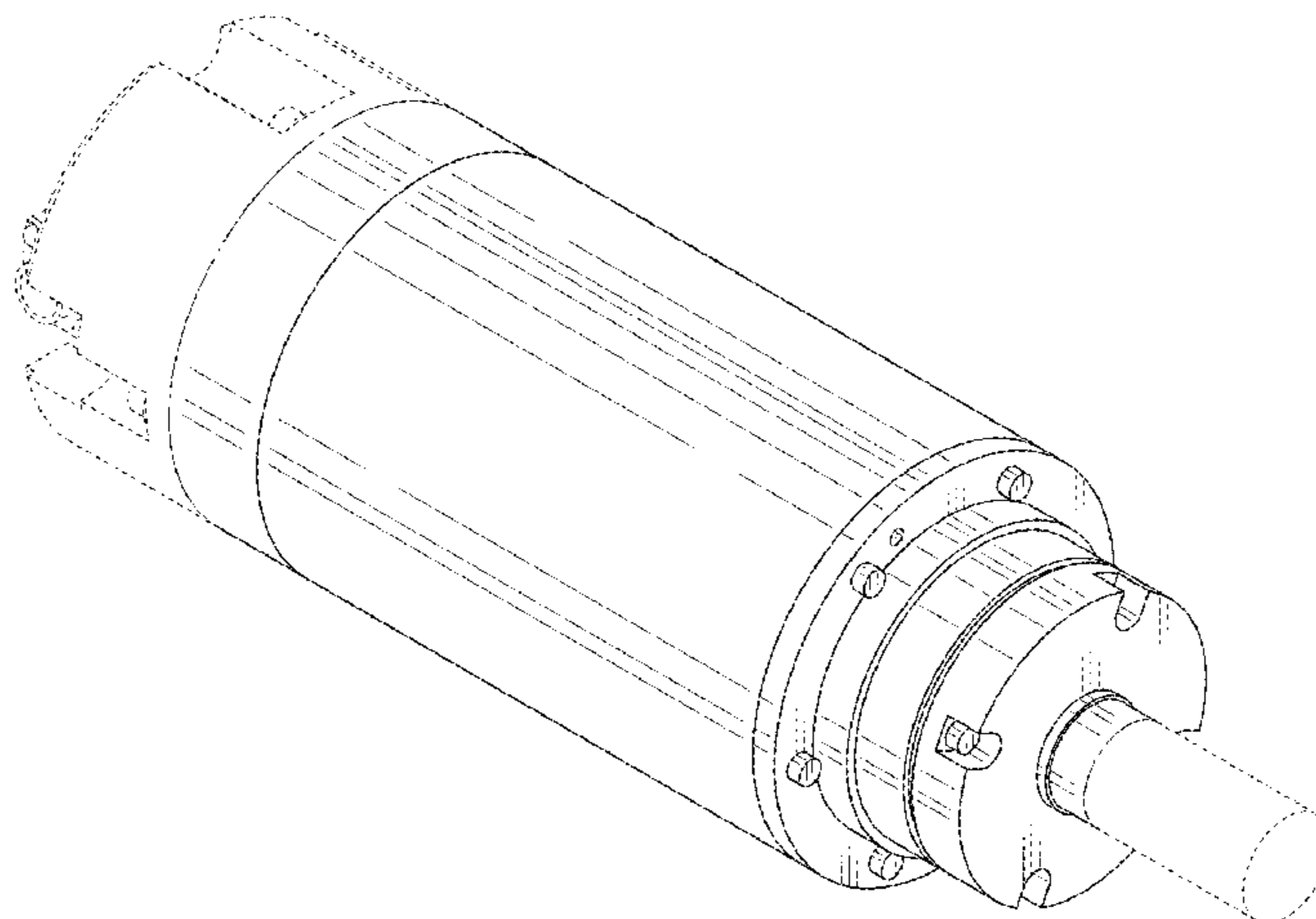
The ornamental design for the motor, as shown and described.

**DESCRIPTION**

FIG. 1 is a perspective view of the front, right and top sides of a motor showing our new design;  
FIG. 2 is a perspective view of the rear, left and bottom sides thereof;  
FIG. 3 is a front view thereof;  
FIG. 4 is a rear view thereof;  
FIG. 5 is a left side view thereof;  
FIG. 6 is a right side view thereof;  
FIG. 7 is a top view thereof; and,  
FIG. 8 is a bottom view thereof.

The broken line showing of the motor is included for the purpose of illustrating portions of the motor and forms no part of the claimed design. The dot and dashed lines set forth boundaries between the claimed portion and the unclaimed portion of the motor.

**1 Claim, 5 Drawing Sheets**



(56)

**References Cited**

U.S. PATENT DOCUMENTS

D706,304 S \* 6/2014 Katada ..... D13/112  
D741,260 S \* 10/2015 Yabuuchi ..... D13/112  
D742,316 S \* 11/2015 Sato ..... D13/112  
D762,564 S \* 8/2016 Patton ..... D13/103  
D780,118 S \* 2/2017 Rudolph ..... D13/112  
2013/0082551 A1\* 4/2013 Kohara ..... H02K 11/33  
310/71  
2013/0300230 A1\* 11/2013 Nakazawa ..... H02K 5/10  
310/63  
2014/0348674 A1\* 11/2014 Yabuuchi ..... H02K 5/10  
417/423.1

OTHER PUBLICATIONS

Ryobi Ink Key Motor posted by Grapa Japan posted date Mar. 3, 2014, © Smuto.BlogSpot.com, [online], [site visited Aug. 11, 2017]. <<http://smuto.blogspot.com/2014/03/ryobi-ink-key-motor-te-16km-12-384.html#/2014/03/ryobi-ink-key-motor-te-16km-12-384.html>>.\*

Ink Key posted by PPE posted date Dec. 22, 2016, © Amazon.com, [online], [site visited Aug. 11, 2017]. <[https://www.amazon.com/Ink-Key-Motors-For-Mitsubishi/dp/B01N2WN9XK/ref=sr\\_1\\_7?ie=UTF8&qid=1502499221&sr=8-7&keywords=ink+key+motor](https://www.amazon.com/Ink-Key-Motors-For-Mitsubishi/dp/B01N2WN9XK/ref=sr_1_7?ie=UTF8&qid=1502499221&sr=8-7&keywords=ink+key+motor)>.\*

\* cited by examiner

Fig. 1

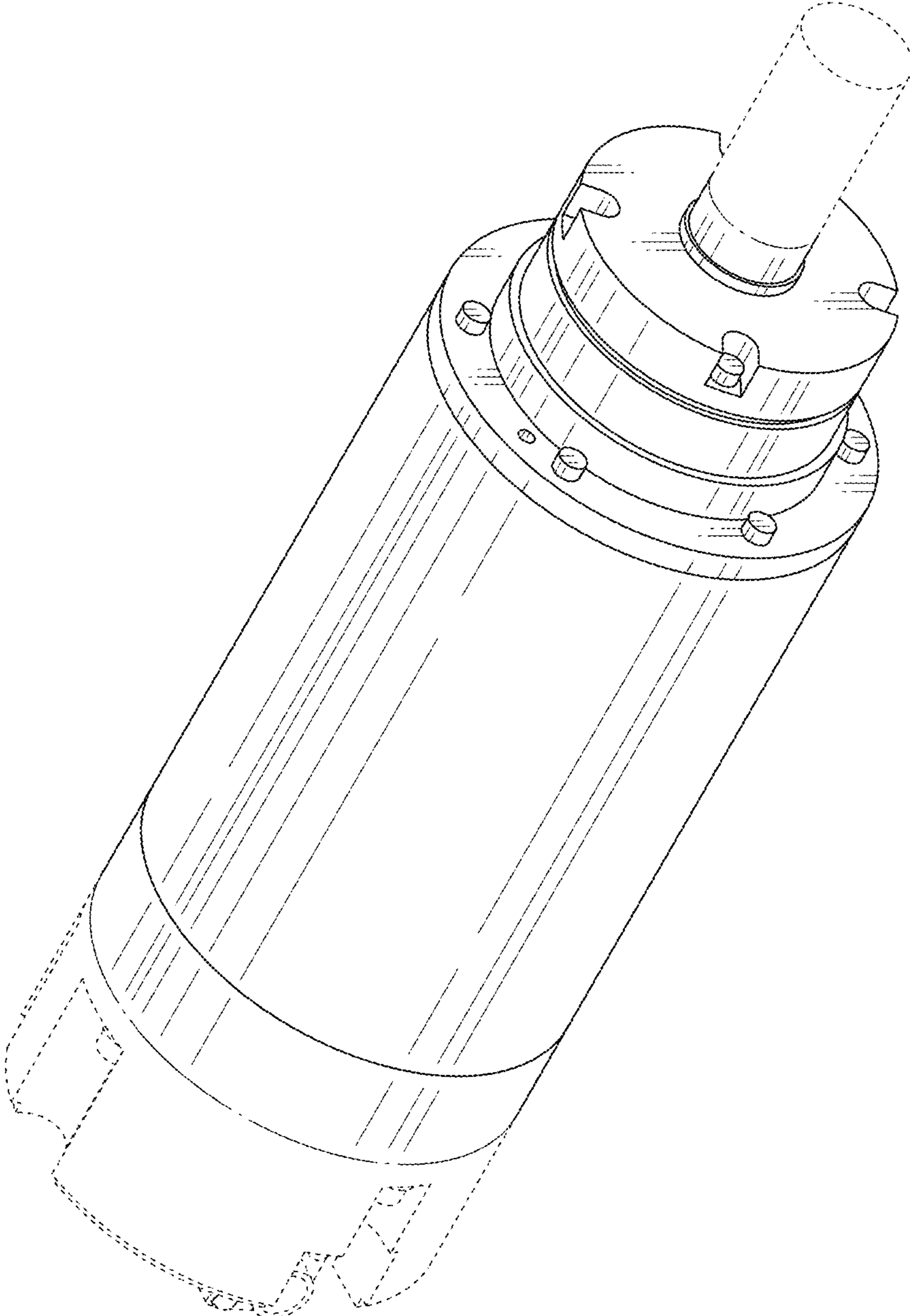


Fig. 2

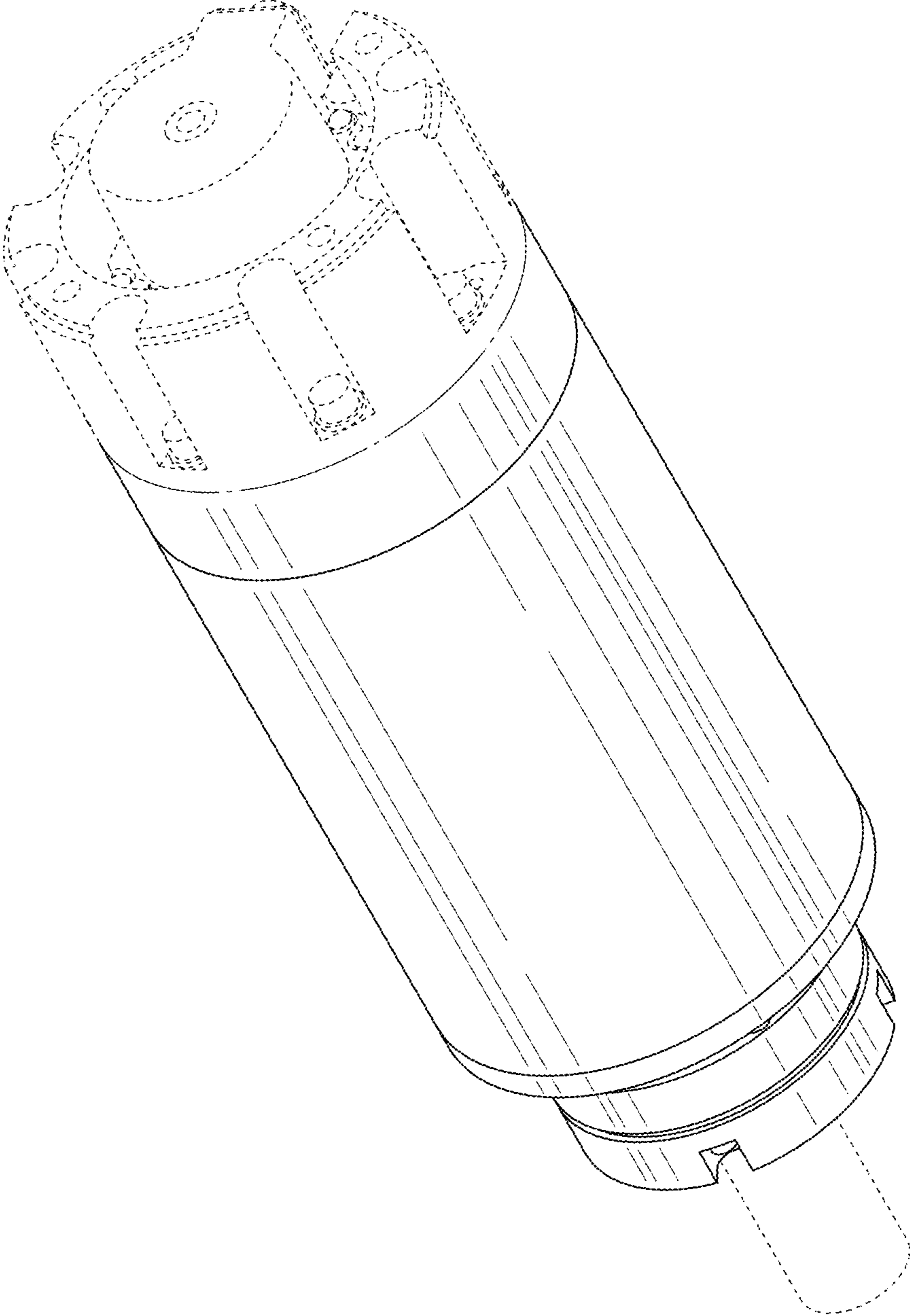


Fig. 3

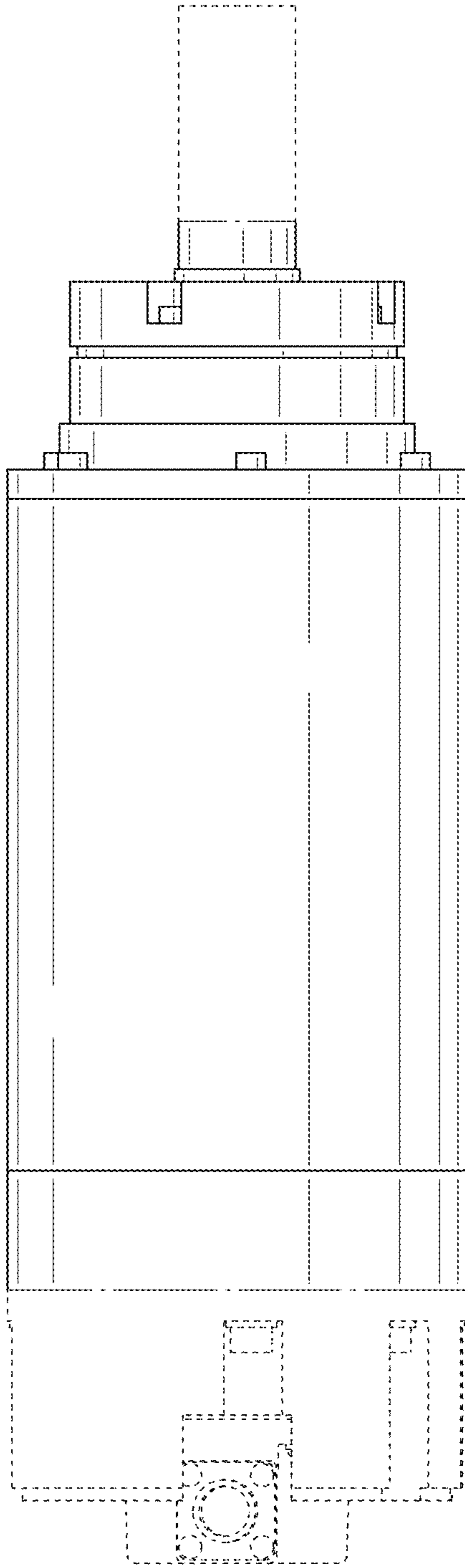


Fig. 4

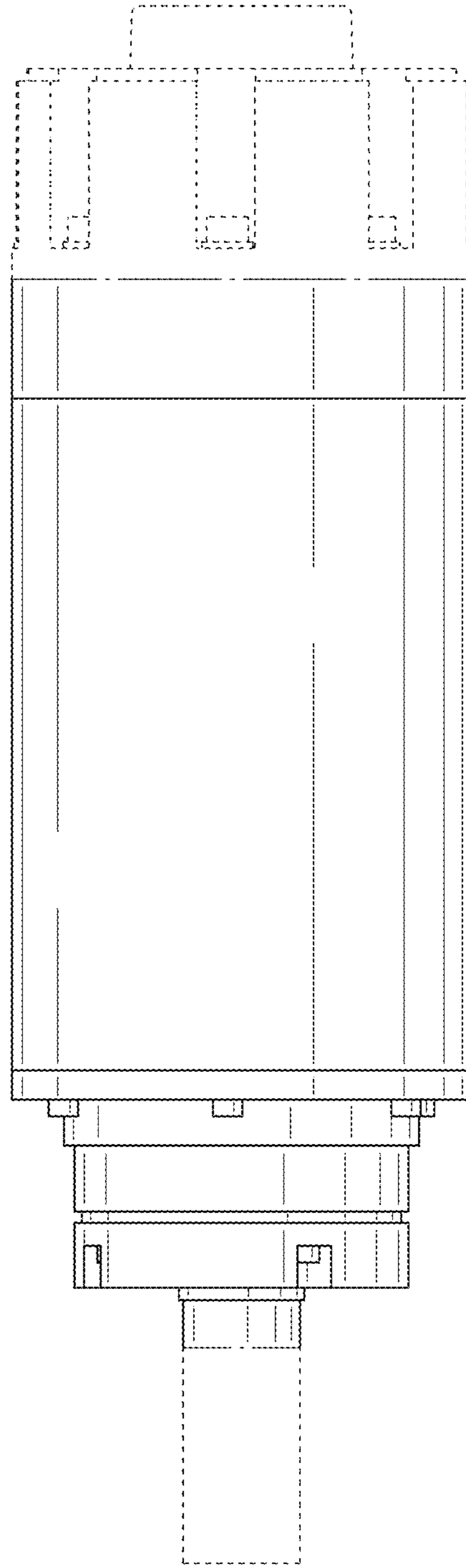


Fig. 6

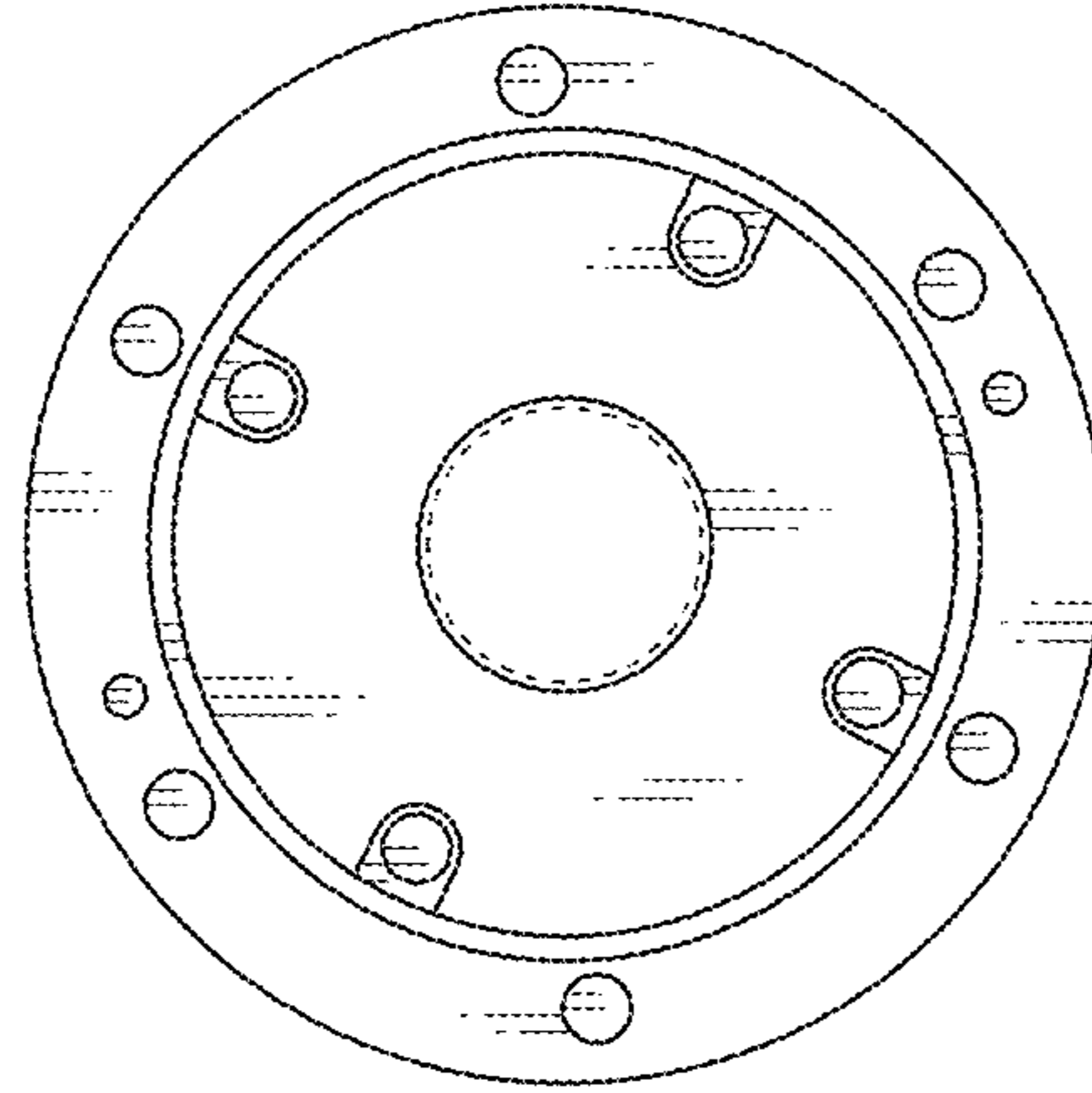


Fig. 5

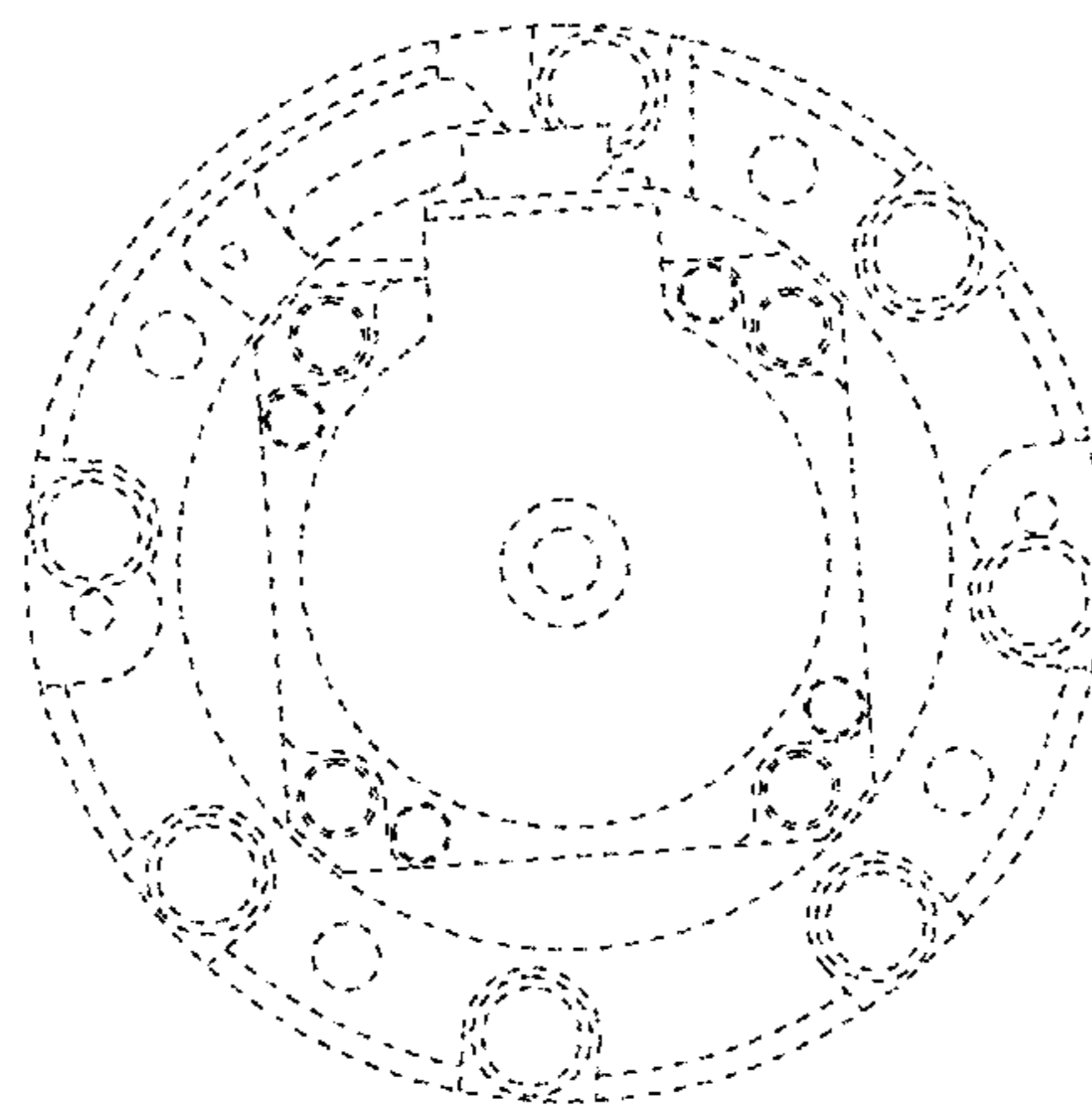


Fig. 7

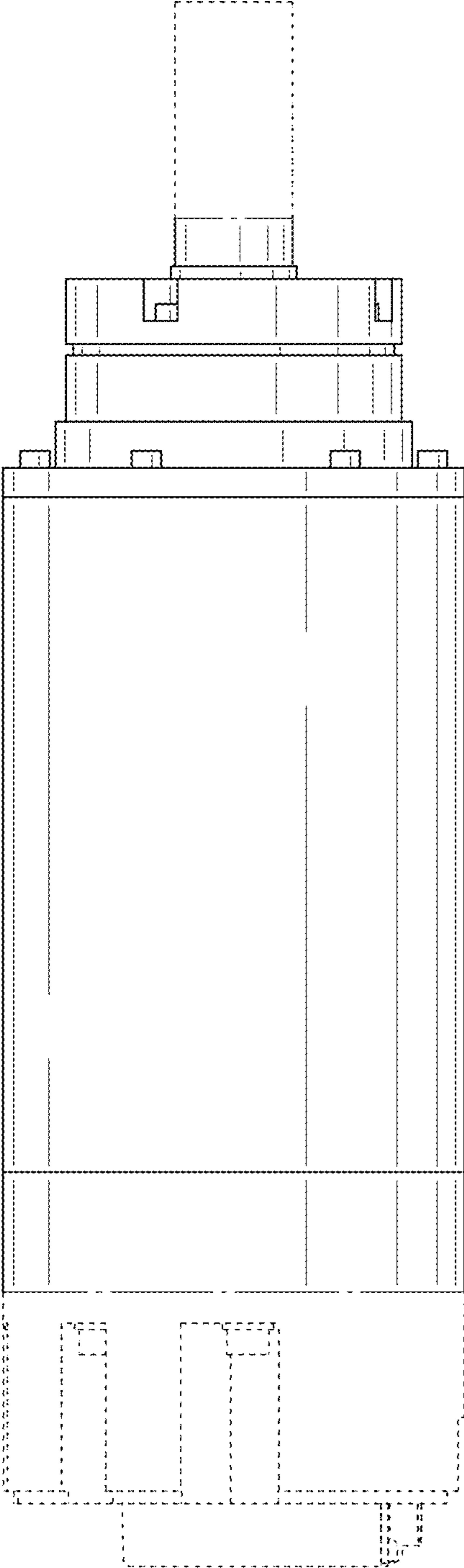


Fig. 8

