



US00D801924S

(12) **United States Design Patent** (10) **Patent No.:** **US D801,924 S**
Priem et al. (45) **Date of Patent:** **** Nov. 7, 2017**

(54) **CABINET FOR USE WITH A GENSET ENCLOSURE**

(56) **References Cited**

(71) Applicant: **Cummins Power Generation IP, Inc.**,
Minneapolis, MN (US)

(72) Inventors: **Dan G. Priem**, Brooklyn Center, MN (US); **Peter P. Larson**, Ramsey, MN (US); **Mohnish Tuladhar**, New Brighton, MN (US); **Jeffrey Everly**, Big Lake, MN (US); **Tim Schooler**, Carver, MN (US); **Marcel Pozo**, Guayas (EC); **Karthik Deivasigamani**, Tamil Nadu (IN); **Surrendra Kolluru**, Shoreview, ME (US)

(73) Assignee: **CUMMINS POWER GENERATION IP, INC.**, Minneapolis, MN (US)

(**) Term: **15 Years**

(21) Appl. No.: **29/558,695**

(22) Filed: **Mar. 21, 2016**

Related U.S. Application Data

(62) Division of application No. 29/481,098, filed on Jan. 31, 2014, now Pat. No. Des. 755,124.

(51) **LOC (10) Cl.** **13-01**

(52) **U.S. Cl.**
USPC **D13/112**

(58) **Field of Classification Search**
USPC D6/329, 462; D13/112-114, 116, 122, D13/184, 199; D15/33; D23/333, 353, D23/351; 290/1 A, 1 B, 1 R; 310/89, 310/418; 322/1, 2 R, 10, 14, 16, 40, 42, 322/87
CPC H02K 5/00; F02B 2063/045; F02B 2063/046; F02B 2063/044; F02B 63/04; F02B 63/048

See application file for complete search history.

U.S. PATENT DOCUMENTS

D163,645 S 6/1950 Shuler et al.
2,565,273 A 8/1951 Shuler et al.
D173,401 S 11/1954 Wolf et al.
D248,942 S 8/1978 Kniss
D267,338 S 12/1982 Bolton et al.
D275,946 S 10/1984 Ekuan

(Continued)

Primary Examiner — Daniel Bui

Assistant Examiner — Andrew Kerr

(74) *Attorney, Agent, or Firm* — Foley & Lardner LLP

(57) **CLAIM**

We claim the ornamental design for a cabinet for use with a genset enclosure, as shown and described.

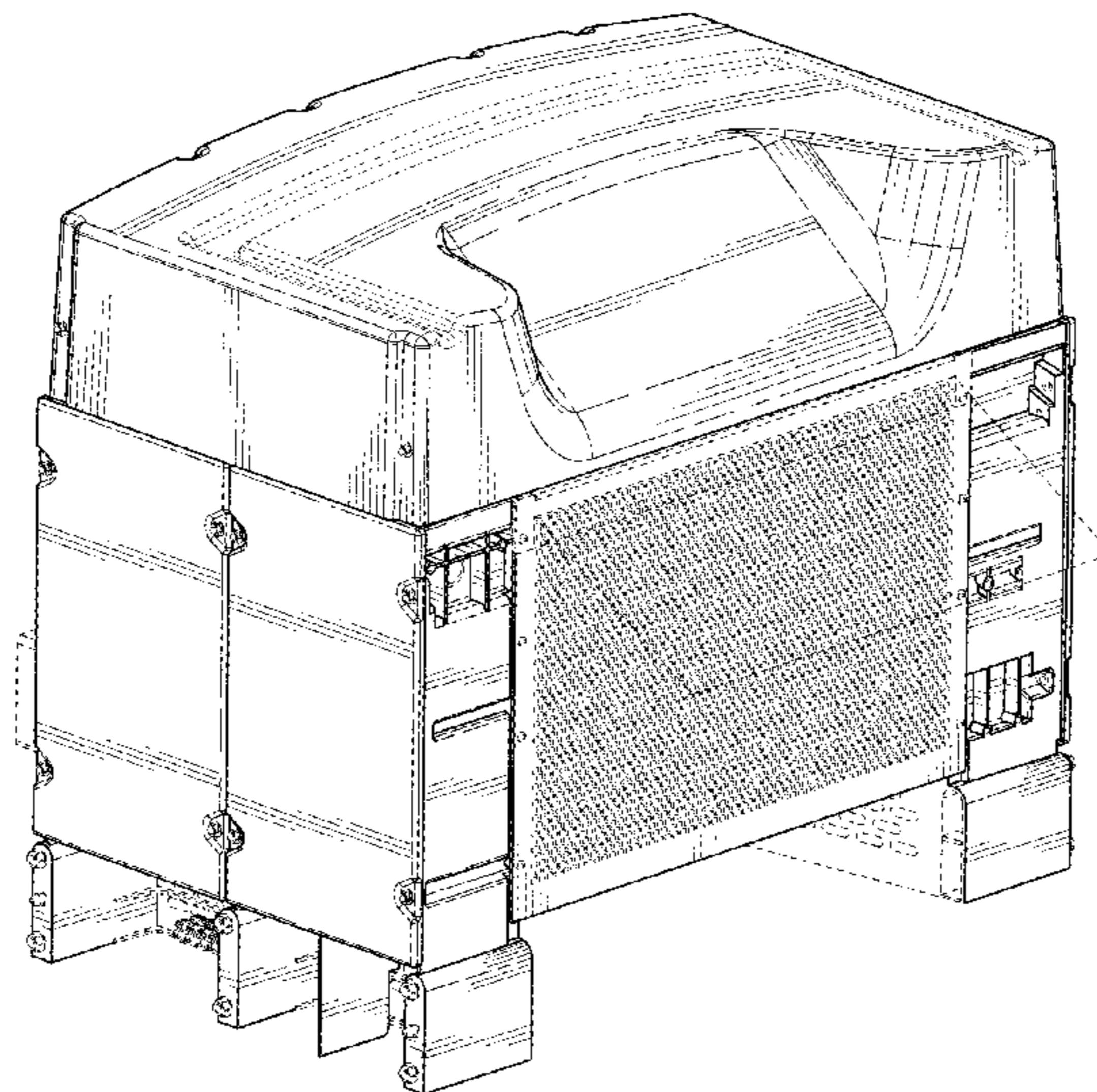
DESCRIPTION

FIG. 1 is a top, front, and left perspective view of a cabinet for use with a genset enclosure showing our new design; FIG. 2 is a front elevational view thereof; FIG. 3 is a rear elevational view thereof; FIG. 4 is a left side elevational view thereof; FIG. 5 is a right side elevational view thereof; FIG. 6 is a top plan view thereof; and, FIG. 7 is a rear perspective view thereof.

The bottom of the cabinet for use with a genset enclosure is unornamented and forms no part of the claimed design. Additionally, the hollow interior surface of the cabinet for use with a genset enclosure forms no part of the claimed design.

The ornamental design which is claimed is shown in solid lines in the drawings. The broken lines shown in the drawing views represent unclaimed portions of the cabinet for use with a genset enclosure, and form no part of the claimed design.

1 Claim, 7 Drawing Sheets



(56)

References Cited

U.S. PATENT DOCUMENTS

4,493,390	A	1/1985	Pagano et al.	
4,495,901	A	1/1985	Nannini et al.	
4,595,841	A	6/1986	Yaguchi	
D305,880	S	2/1990	Ito et al.	
D309,288	S *	7/1990	Haverly	D13/114
D310,409	S	9/1990	Allen et al.	
D314,743	S	2/1991	Ishii	
D327,468	S	6/1992	Dea et al.	
5,424,588	A	6/1995	Cantor et al.	
D397,194	S	8/1998	Hebert	
D414,461	S	9/1999	Wang	
6,028,369	A	2/2000	Hirose et al.	
D465,017	S *	10/2002	Choi	D23/353
D567,345	S *	4/2008	Dean	D23/314
D596,122	S	7/2009	Imai	
D705,163	S	5/2014	Lauper et al.	
D723,675	S	3/2015	Paskow	
D729,365	S *	5/2015	Yuan	D23/359
D755,124	S *	5/2016	Priem	D13/122

* cited by examiner

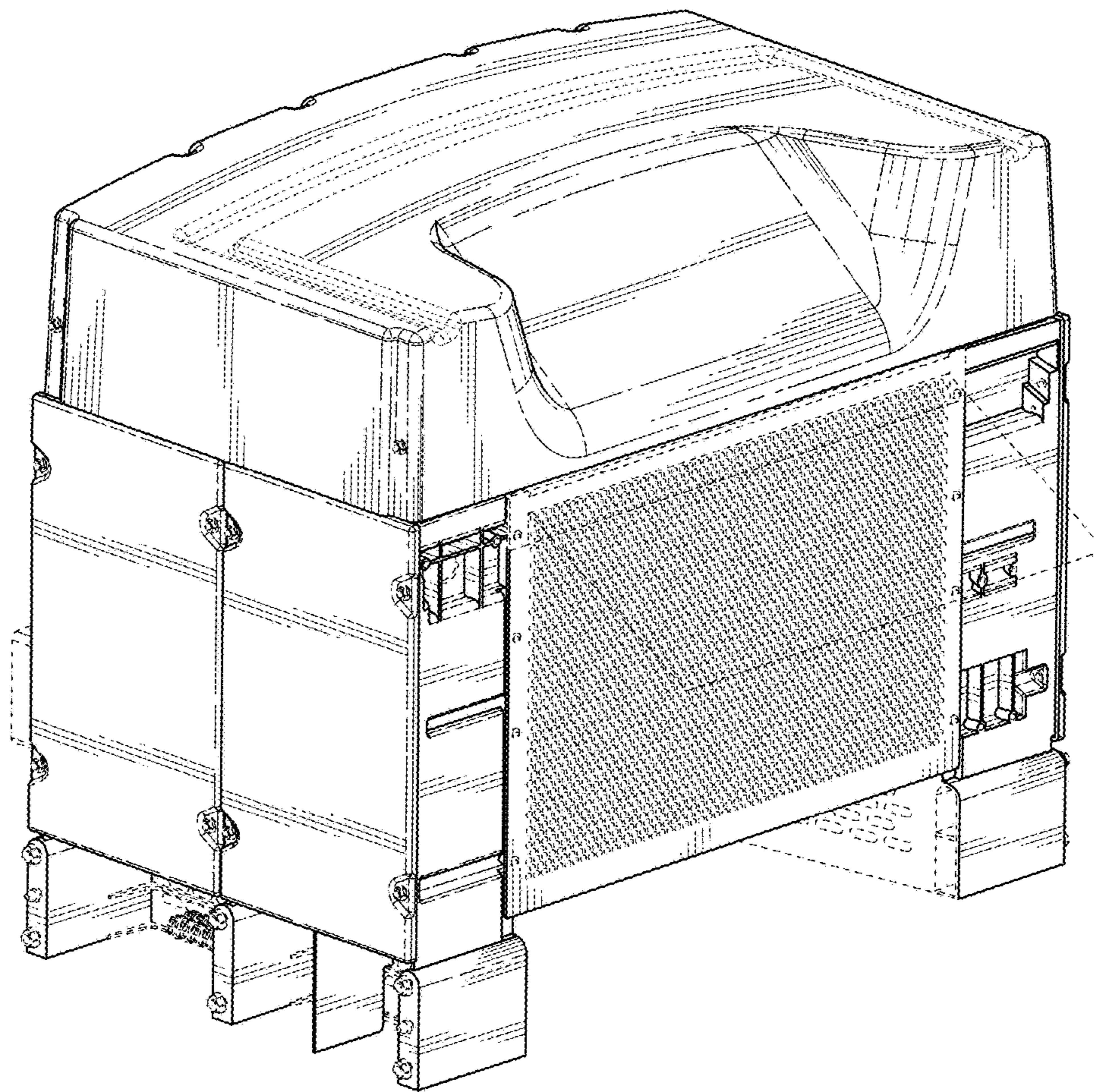


FIG. 1

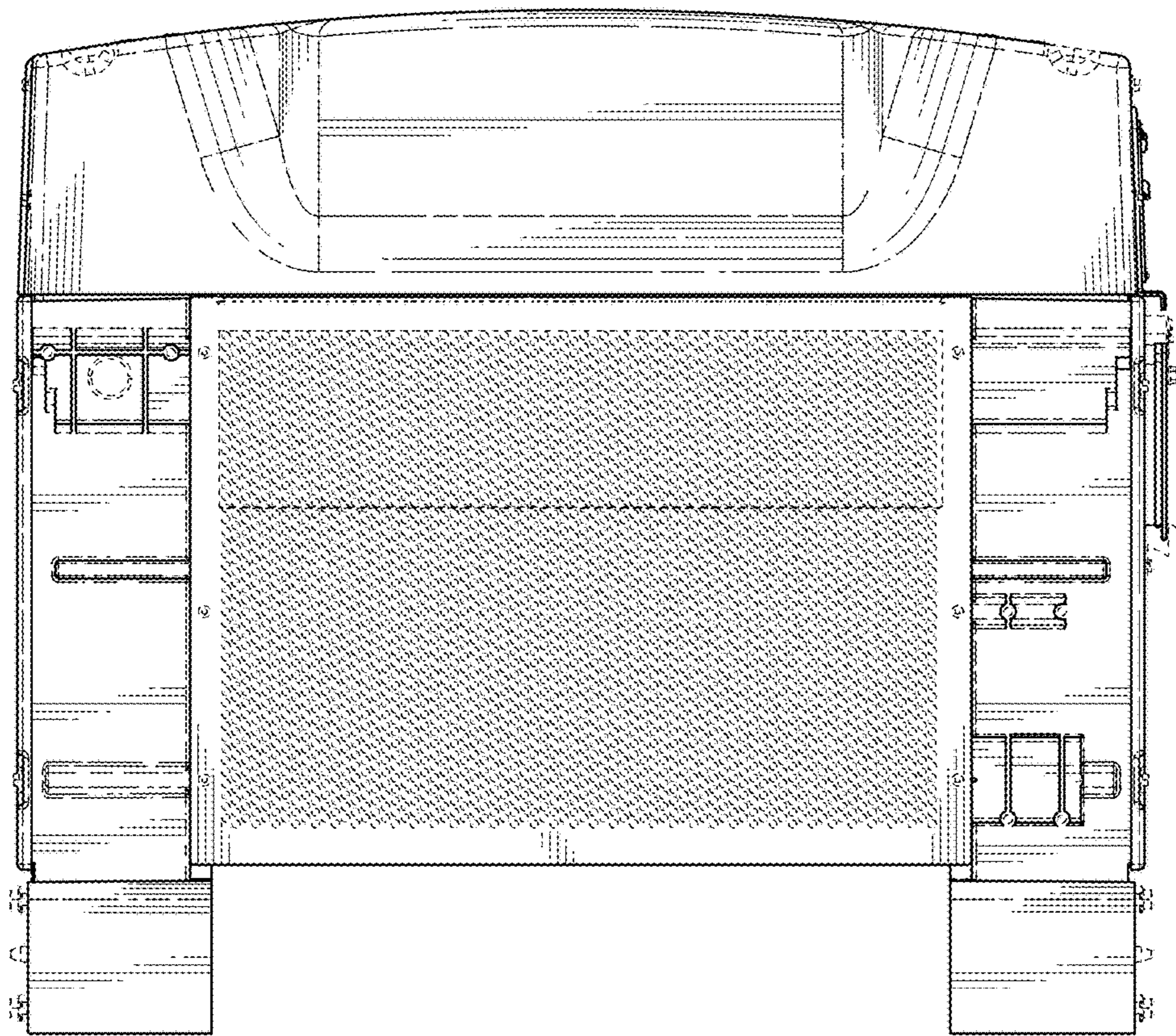


FIG. 2

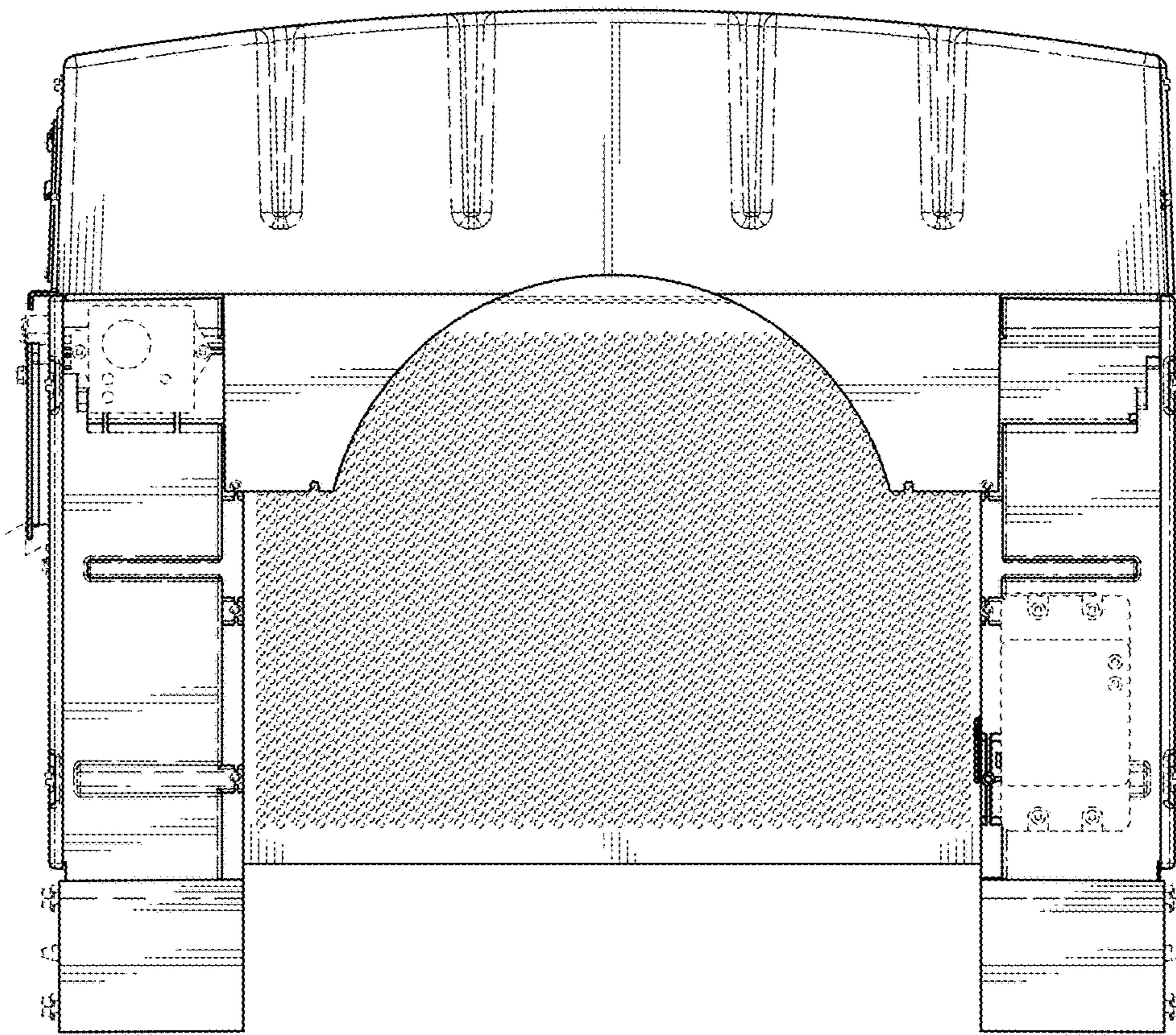


FIG. 3

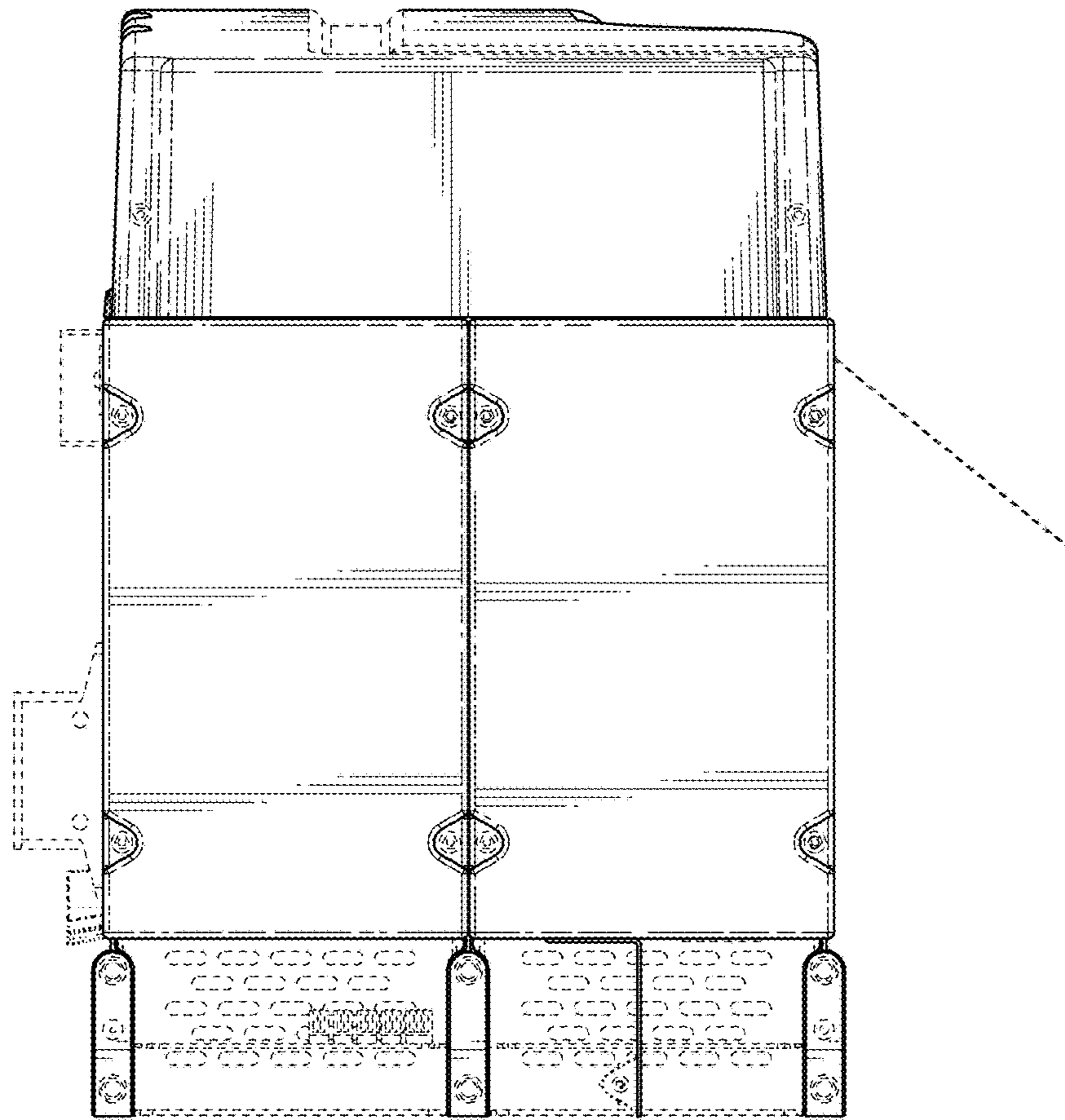


FIG. 4

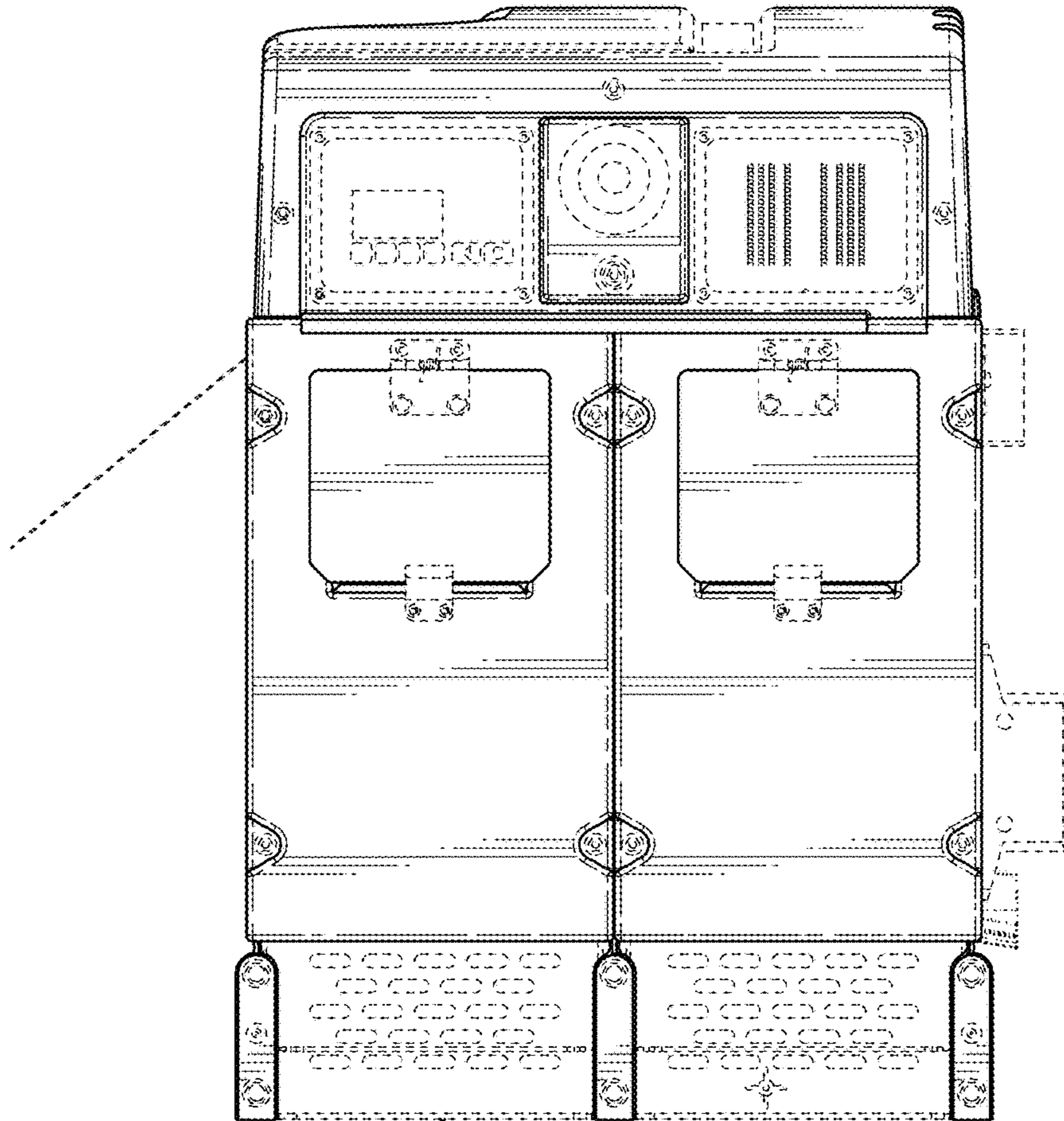


FIG. 5

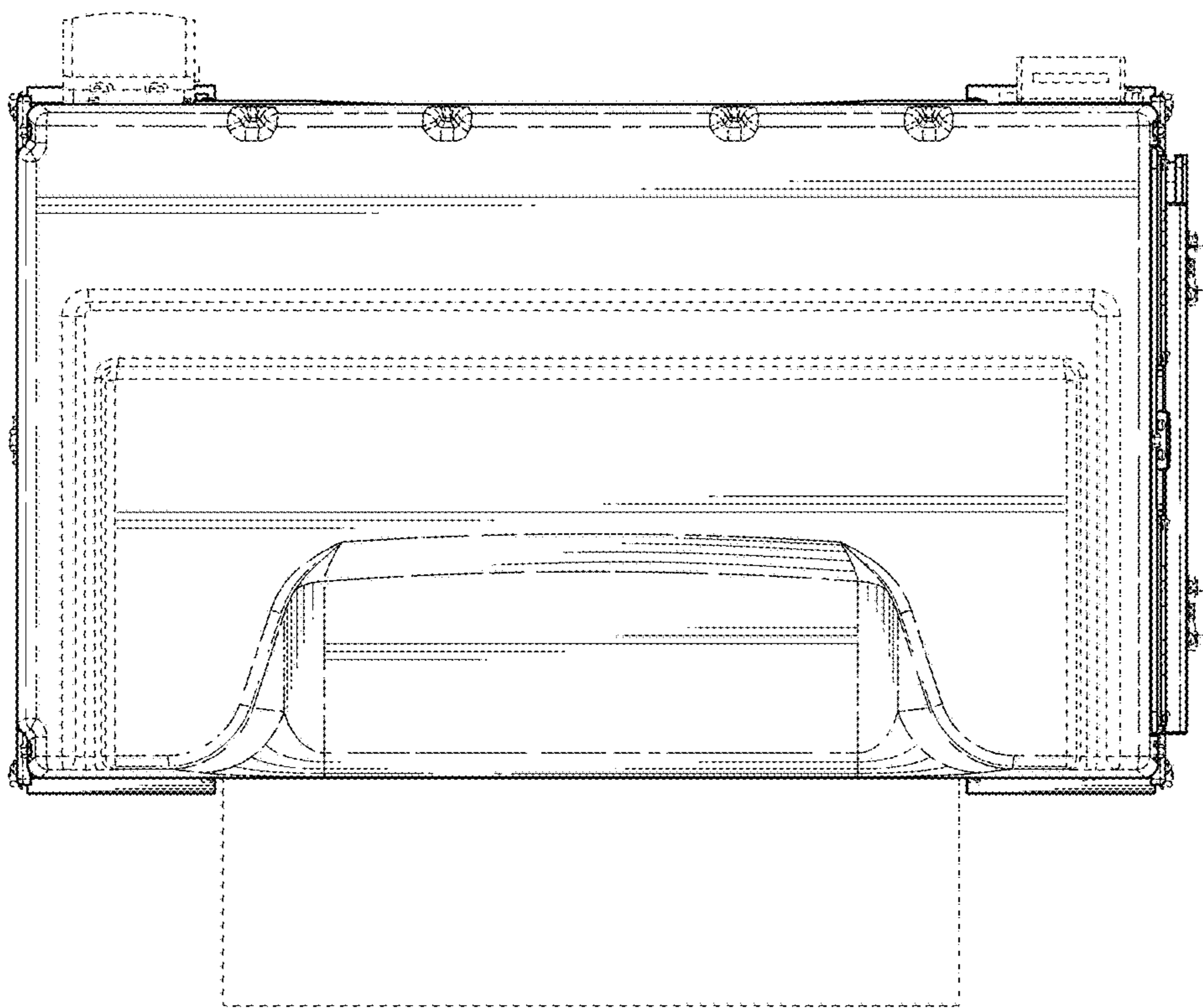


FIG. 6

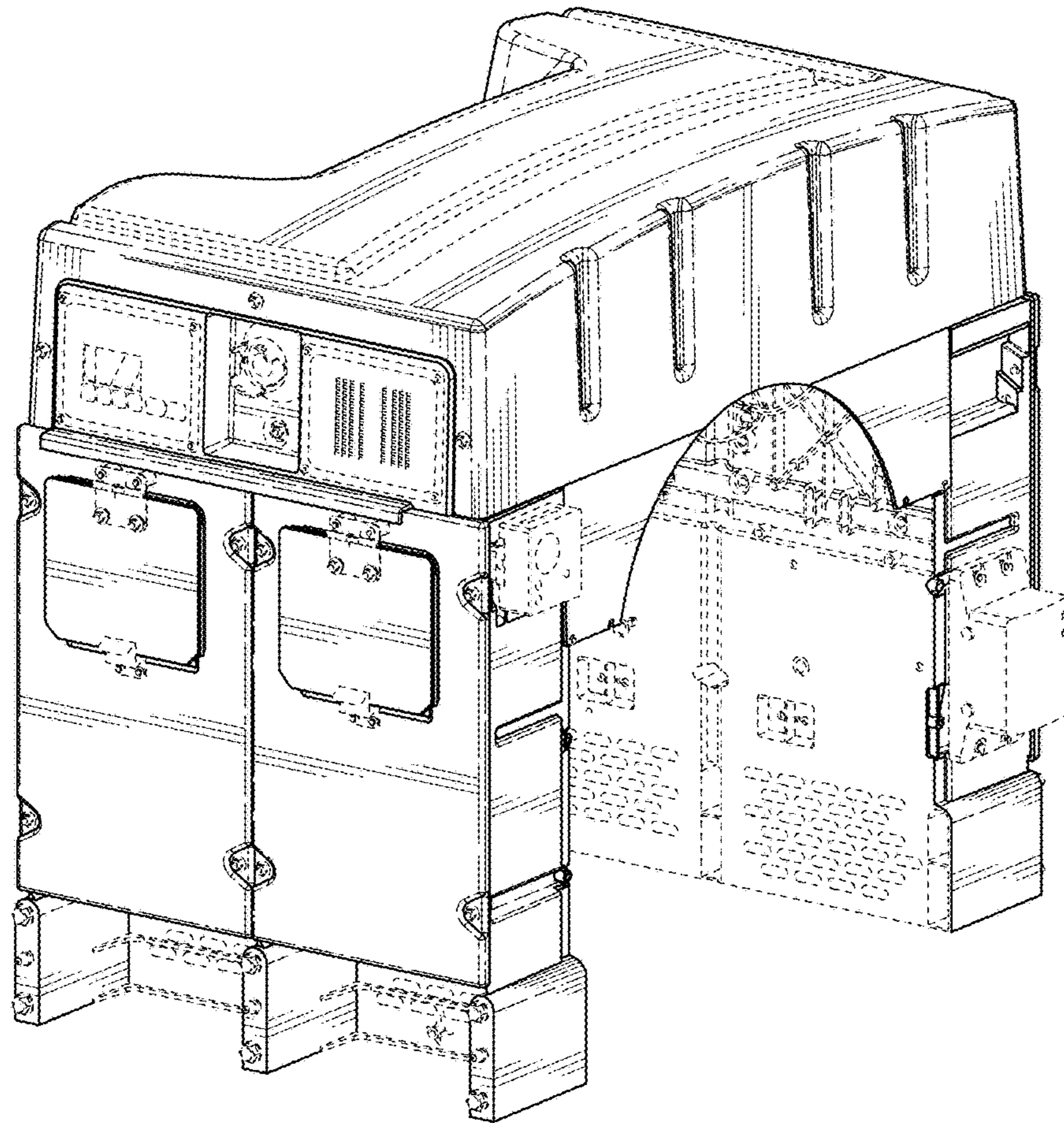


FIG. 7