



US00D801923S

(12) **United States Design Patent** (10) **Patent No.:** **US D801,923 S**  
**Minamide et al.** (45) **Date of Patent:** **\*\* Nov. 7, 2017**

(54) **CHARGER FOR VACUUM CLEANER**

(56) **References Cited**

(71) Applicant: **SAMSUNG ELECTRONICS CO., LTD.**, Sueon-si (KR)

U.S. PATENT DOCUMENTS

(72) Inventors: **Keiichi Minamide**, Tokyo (JP);  
**Hirohisa Miyazaki**, Tokyo (JP);  
**Mitsuhiro Shigeri**, Yokohama (JP);  
**Masato Suzuki**, Kitaadachi-gun (JP)

D489,322 S	*	5/2004	Sawai .....	D13/108
D510,905 S	*	10/2005	Thirouin .....	D13/108
D511,492 S	*	11/2005	Allende Fritsch .....	D13/108
D559,484 S	*	1/2008	Fjellman .....	D13/108
D559,485 S	*	1/2008	Fjellman .....	D13/108
D566,352 S	*	4/2008	Ågren .....	D13/108
D568,808 S	*	5/2008	Hamasaki .....	D13/108
D572,188 S	*	7/2008	Prat-Pfister .....	D13/108
D578,474 S	*	10/2008	Nishizawa .....	D13/108
D764,406 S	*	8/2016	Uchida .....	D13/108

(73) Assignee: **SAMSUNG ELECTRONICS CO., LTD.**, Gyeonggi-Do (KR)

\* cited by examiner

(\*\*) Term: **15 Years**

*Primary Examiner* — Rosemary K Tarcza

(21) Appl. No.: **29/550,153**

(74) *Attorney, Agent, or Firm* — Cantor Colburn LLP

(22) Filed: **Dec. 30, 2015**

(57) **CLAIM**

The ornamental design for a charger for vacuum cleaner, as shown and described.

(30) **Foreign Application Priority Data**

**DESCRIPTION**

Jul. 1, 2015 (KR) ..... 30-2015-0033225

(51) **LOC (10) Cl.** ..... **13-02**

(52) **U.S. Cl.**  
USPC ..... **D13/108**

(58) **Field of Classification Search**  
USPC ..... D13/102, 107–110, 118–119, 153, 184,  
D13/199; D14/432, 434  
CPC ..... Y02E 60/12; Y02T 90/14; Y02T 90/122;  
Y02T 90/128; Y02T 90/163; H02J 7/025;  
H02J 7/0042; H02J 7/0044; H02J 7/0045;  
H02J 7/0003; H02J 7/0013; H02J 7/0052;  
H01F 38/14; H01R 13/6675; H01M  
2/1022; H01M 2/1055; H01M 10/44;  
H01M 10/46; H01M 10/425; B60L  
11/182

FIG. 1 is a front perspective view of a charger for vacuum cleaner, showing our new design;  
FIG. 2 is a front view thereof;  
FIG. 3 is a rear view thereof;  
FIG. 4 is a left-side view thereof;  
FIG. 5 is a right-side view thereof;  
FIG. 6 is a top view thereof;  
FIG. 7 is a bottom view thereof;  
FIG. 8 is a rear perspective view thereof; and,  
FIG. 9 is another perspective view thereof in an environment of use.

The broken lines illustrating portions of the charger for vacuum cleaner form no part of the claimed design. The broken lines illustrating portions of a vacuum cleaner are for illustrative purposes only and form no part of the claimed design.

See application file for complete search history.

**1 Claim, 6 Drawing Sheets**

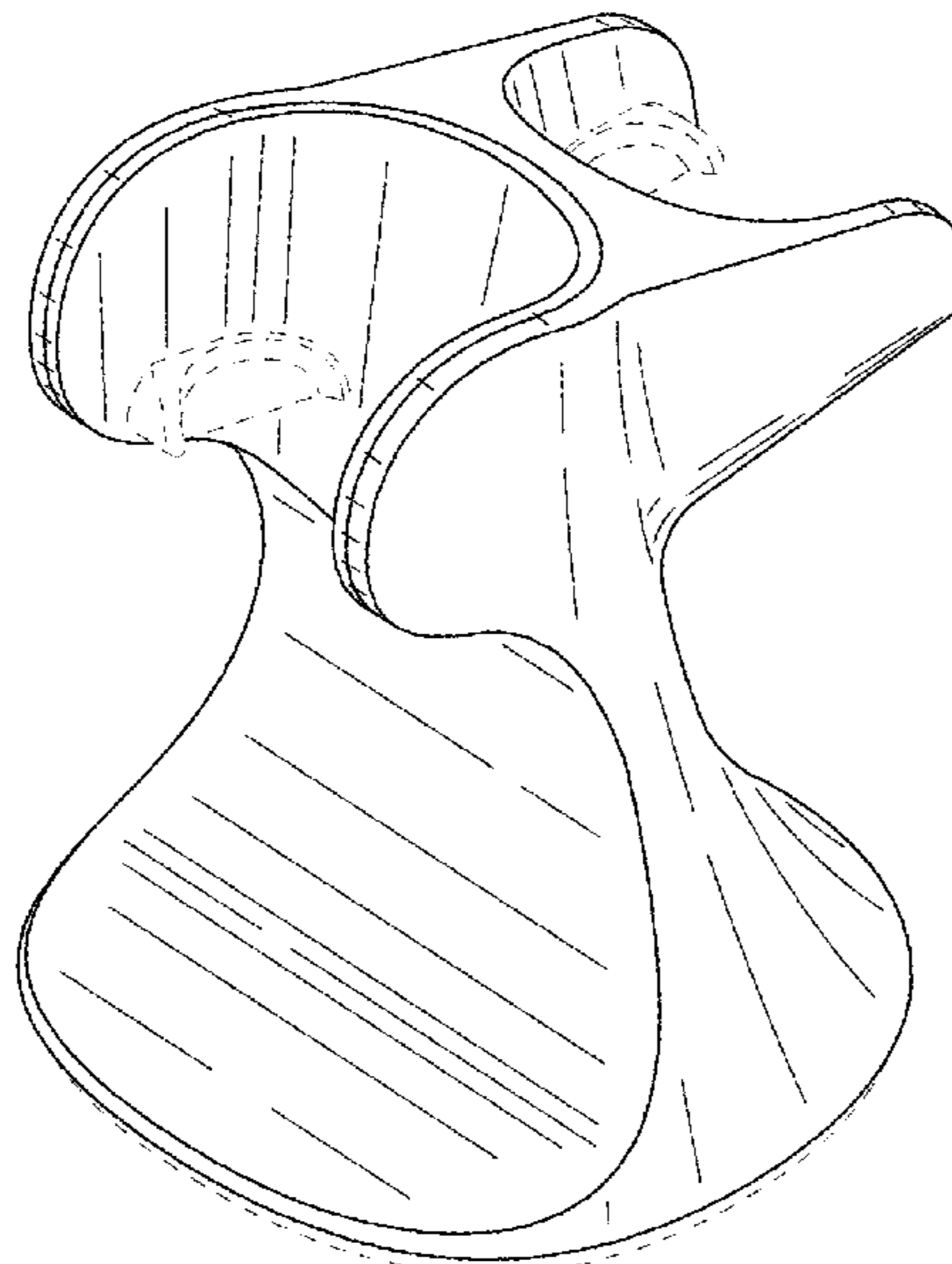


FIG.1

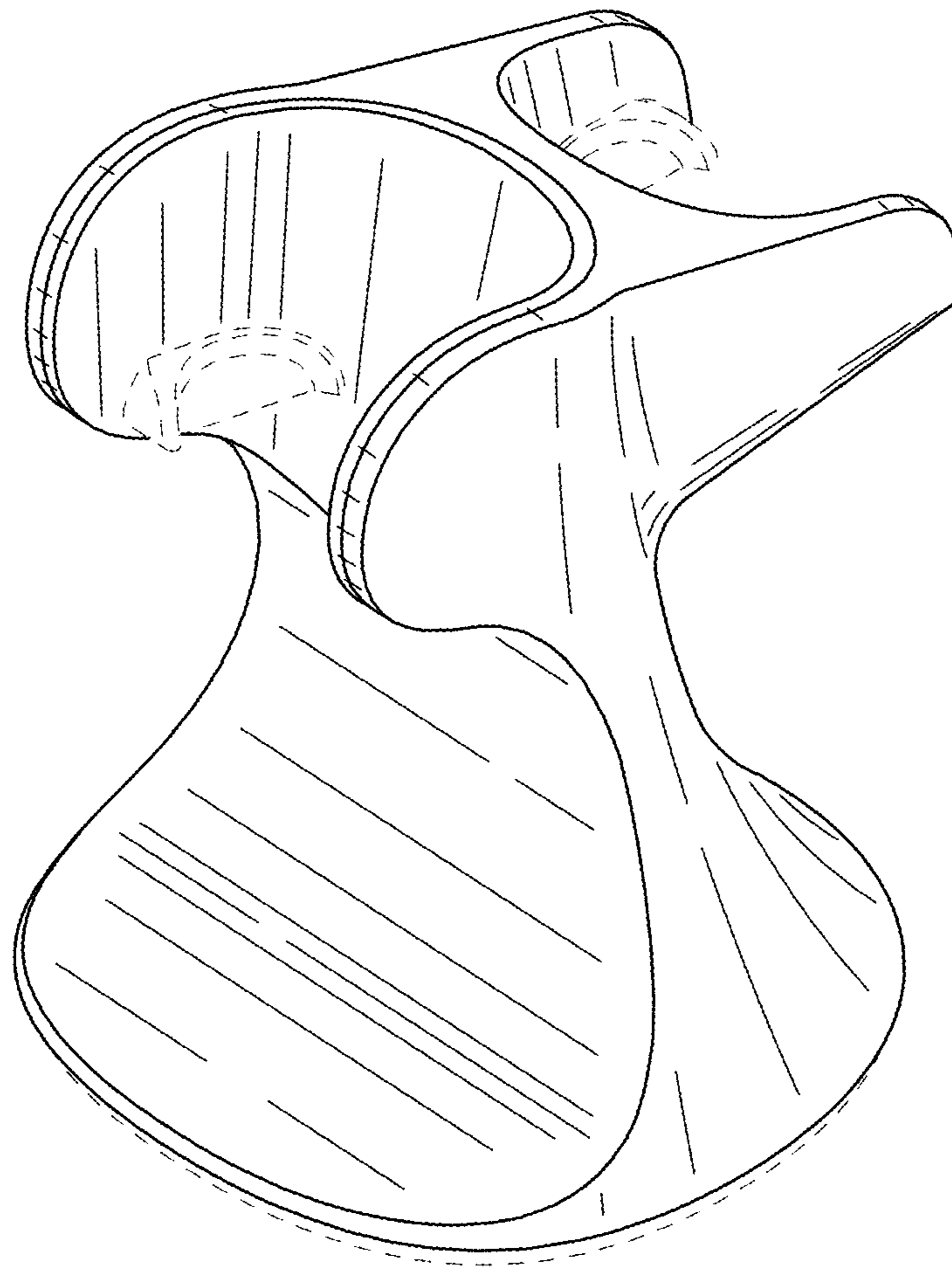


FIG.2

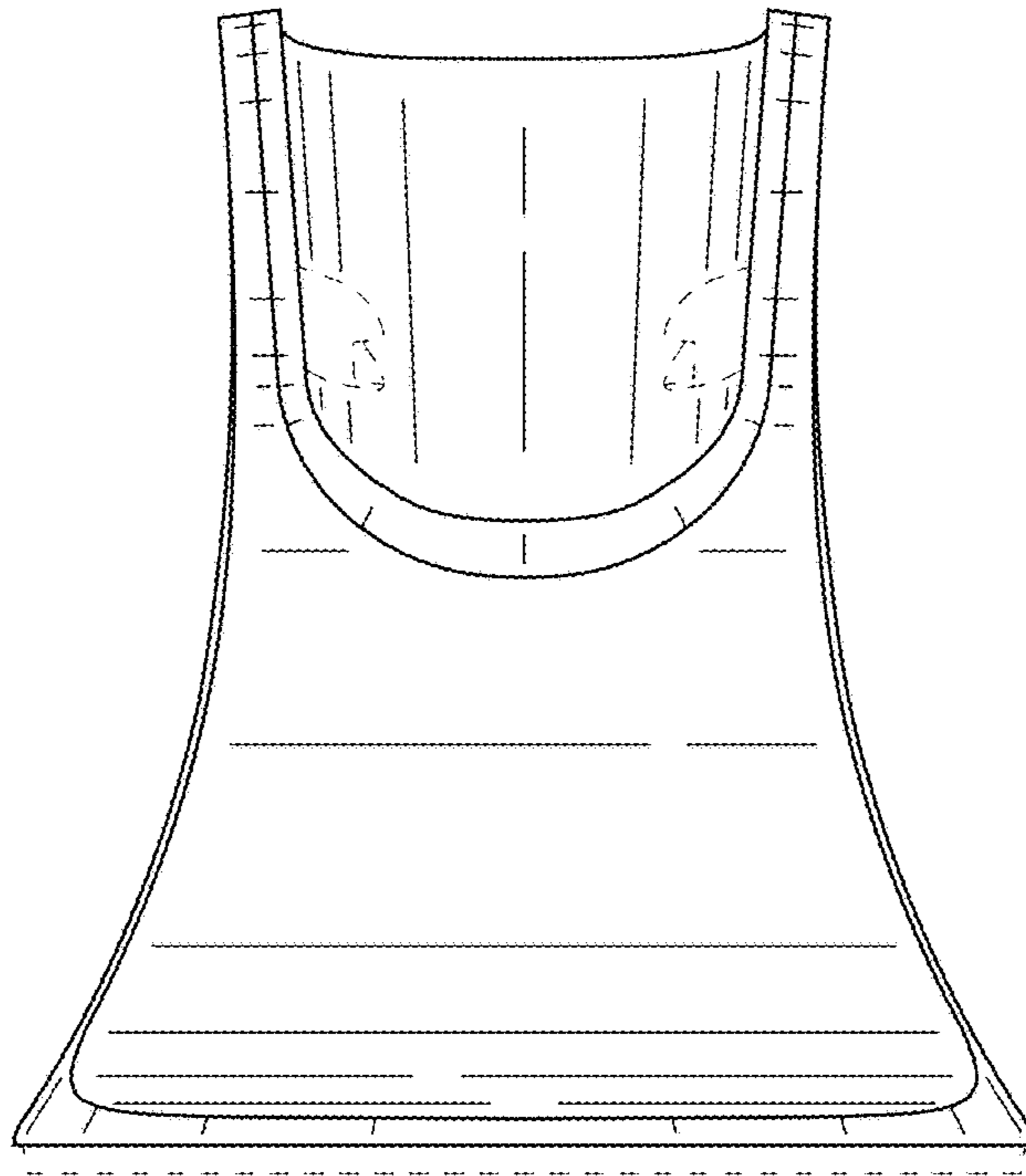


FIG.3

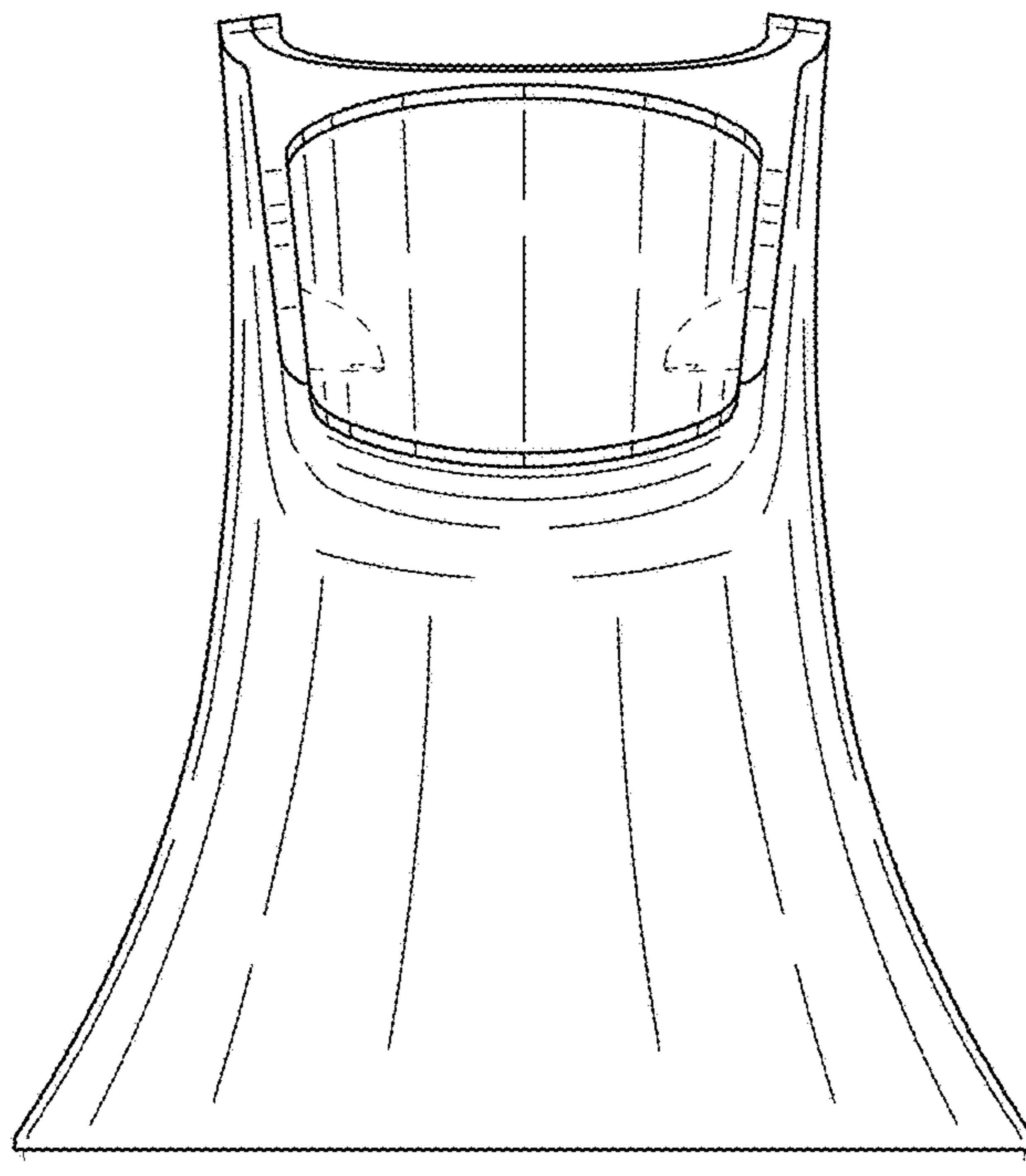


FIG.4

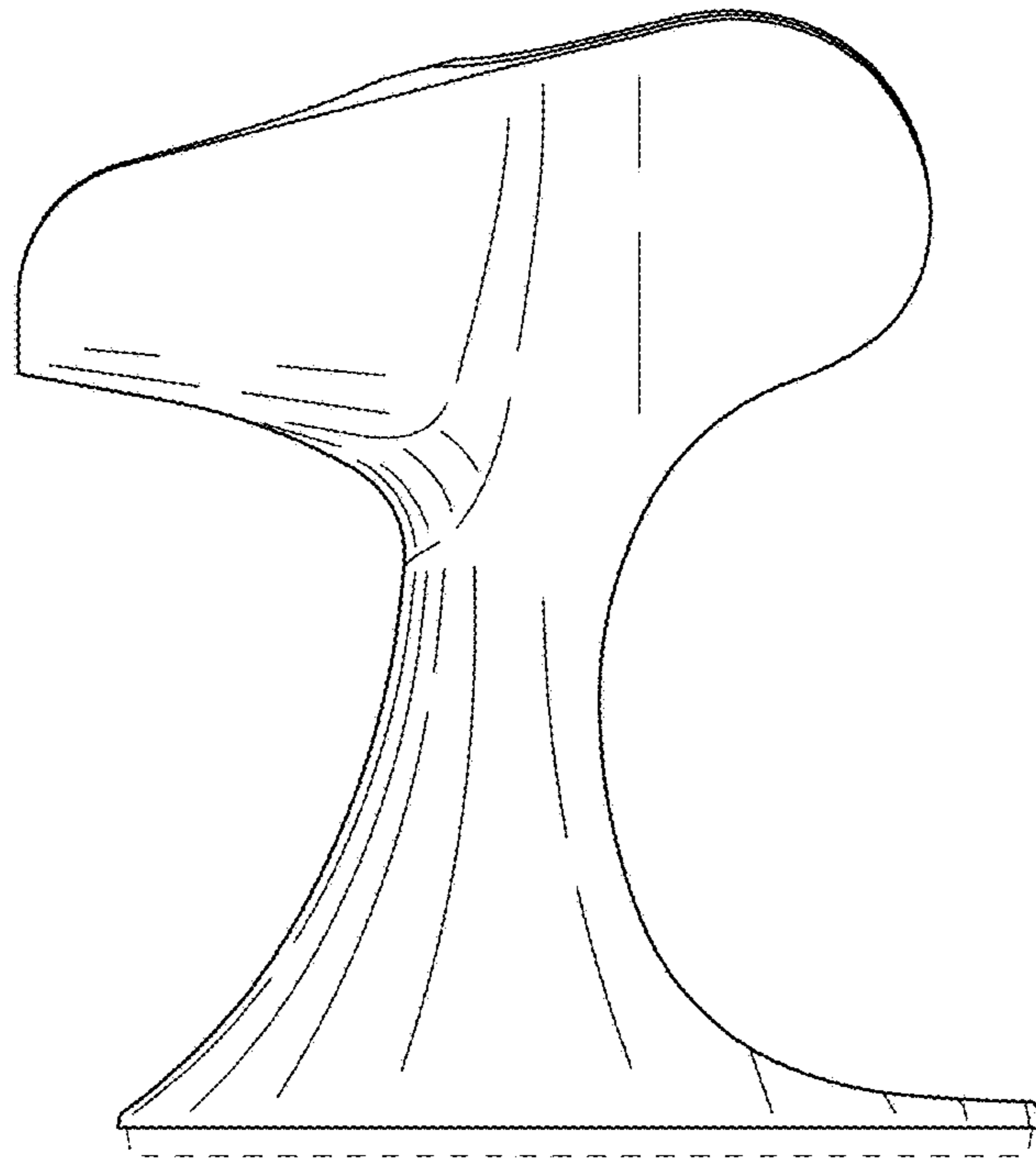


FIG.5

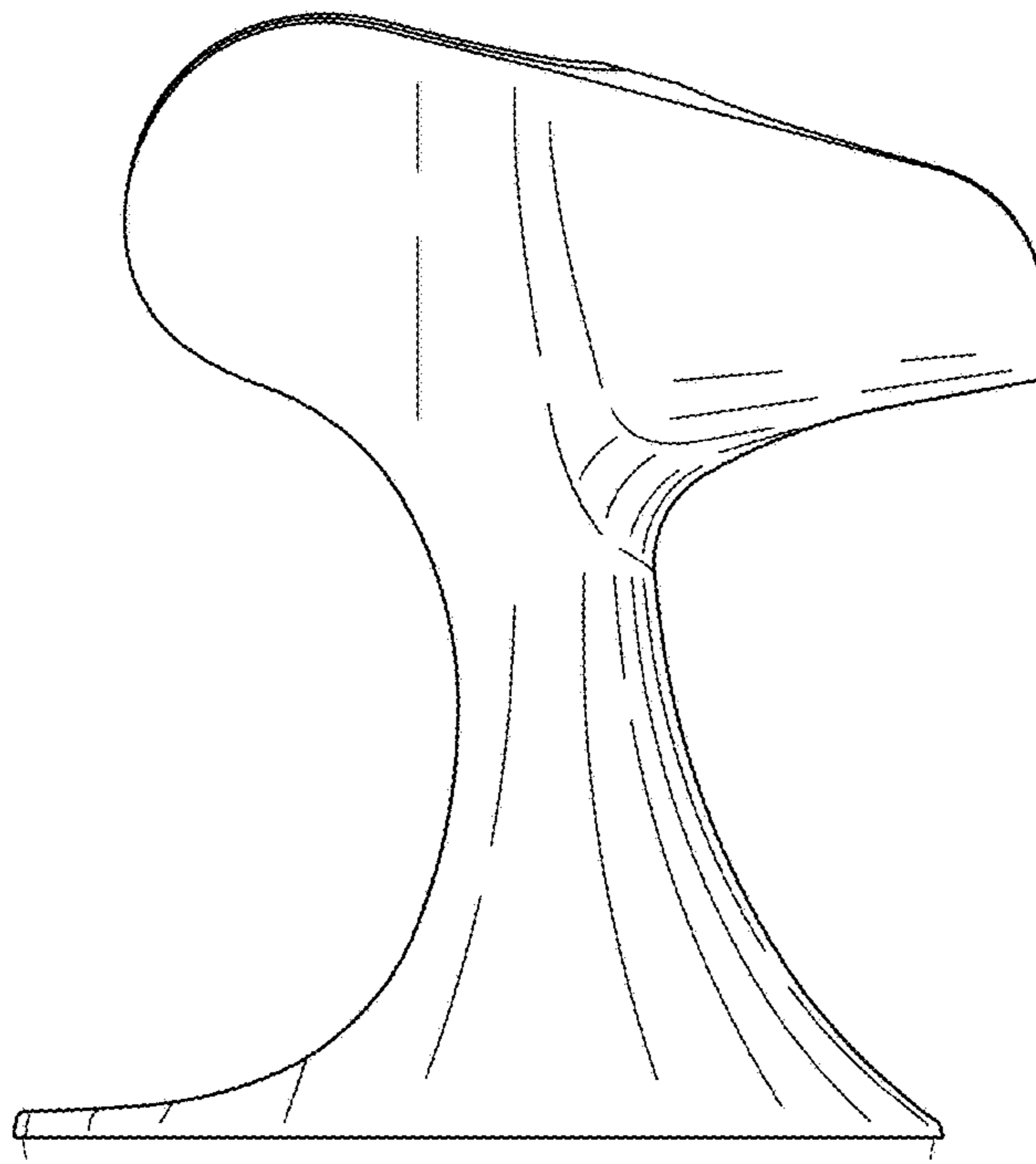


FIG.6

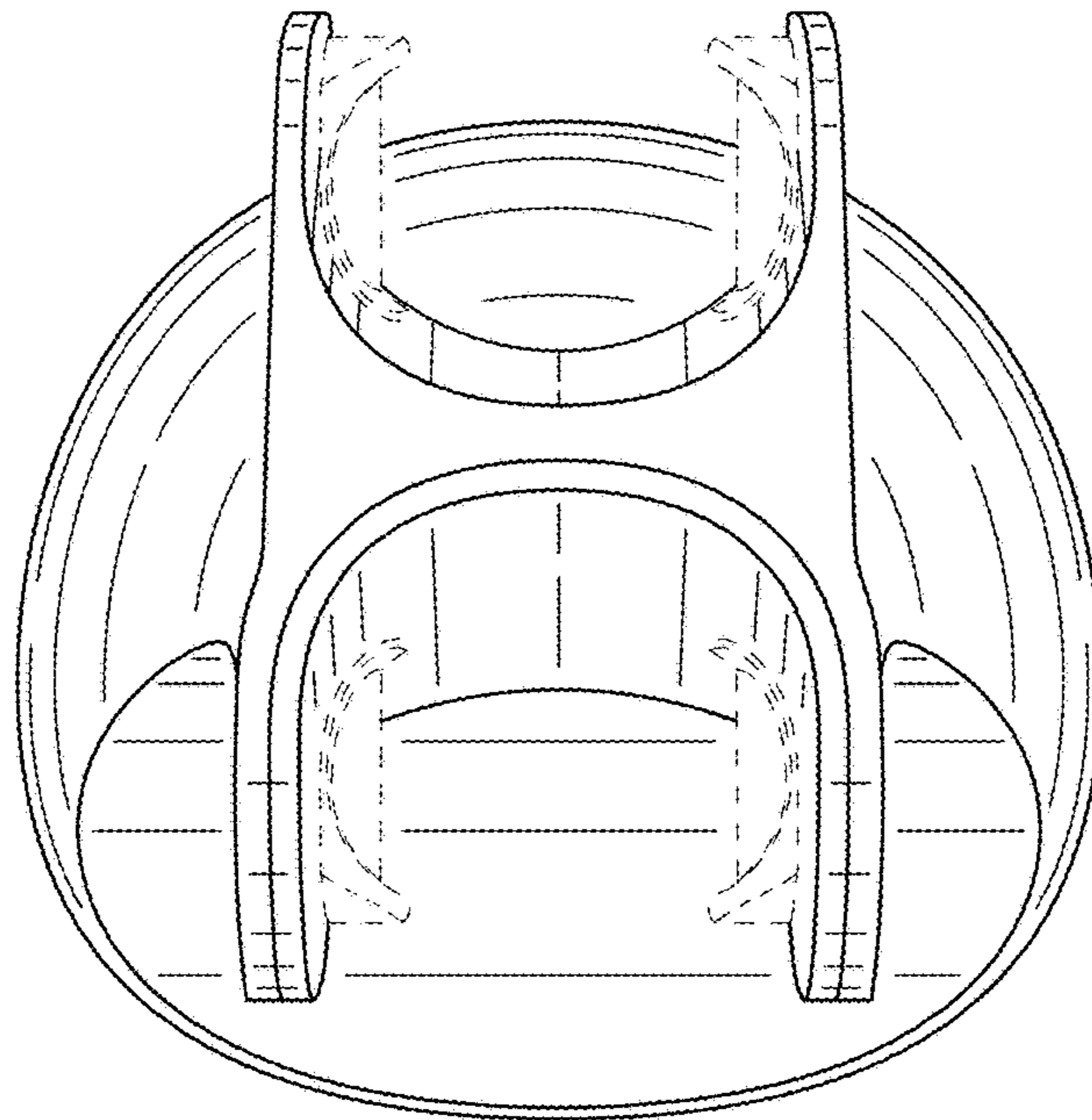


FIG.7

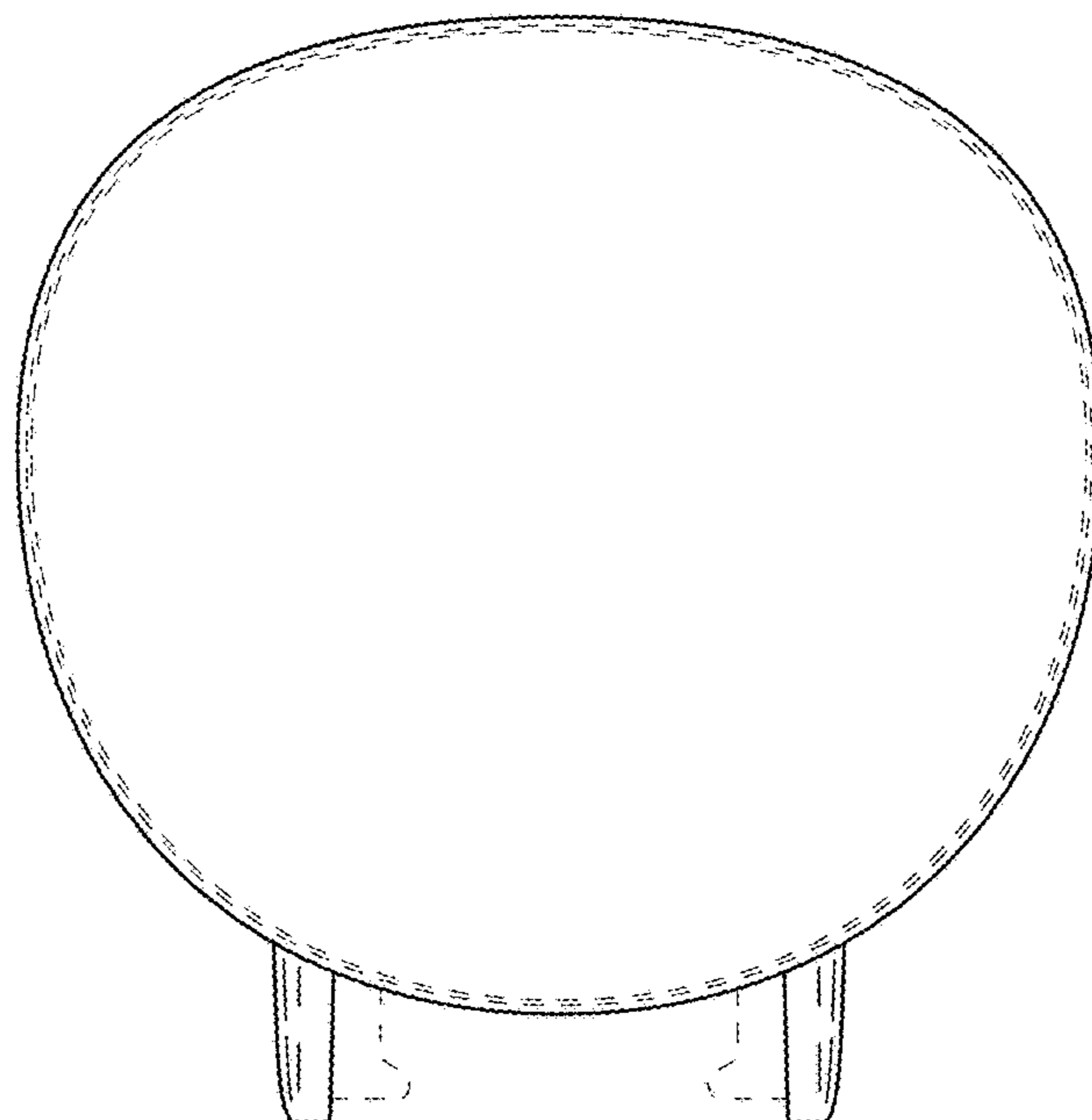


FIG.8

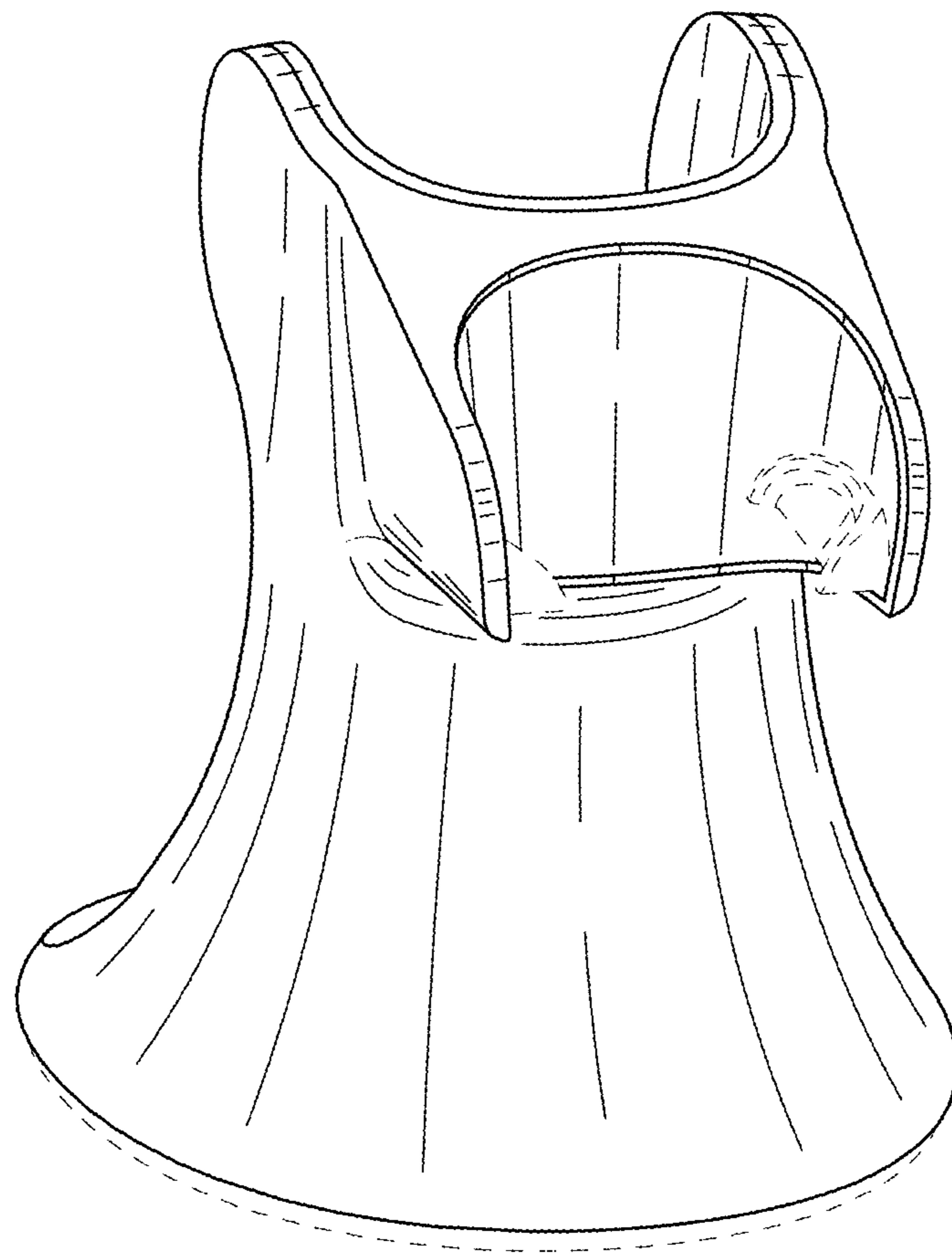


FIG.9

