



US00D801922S

(12) **United States Design Patent** (10) **Patent No.:** **US D801,922 S**
Morenstein et al. (45) **Date of Patent:** **** Nov. 7, 2017**

(54) **CHARGING STAND**

(71) Applicant: **FLEXTERRA, INC.**, Skokie, IL (US)
(72) Inventors: **Josh Morenstein**, San Francisco, CA (US); **Nick Cronan**, San Francisco, CA (US); **Philippe Inagaki**, Skokie, IL (US); **Christian Scott Ross**, San Francisco, CA (US)
(73) Assignee: **FLEXTERRA, INC.**, Skokie, IL (US)

(**) Term: **15 Years**

(21) Appl. No.: **29/532,230**

(22) Filed: **Jul. 2, 2015**

(51) **LOC (10) Cl.** **13-02**

(52) **U.S. Cl.**
USPC **D13/108**

(58) **Field of Classification Search**
USPC D13/107-110, 118-119, 184; D14/251, D14/253, 432, 434
CPC Y02E 60/12; Y02T 90/14; Y02T 90/122; Y02T 90/128; Y02T 90/163; H02J 7/025; H02J 7/0042; H02J 7/0044; H02J 7/0045; H02J 7/0003; H01F 38/14; H01R 13/6675; H01M 2/1022; H01M 2/1055; H01M 10/44; H01M 10/46; H01M 10/425; B60L 11/182
See application file for complete search history.

(56) **References Cited**

U.S. PATENT DOCUMENTS

D568,669 S * 5/2008 Kizilbayir D7/328
D598,453 S * 8/2009 Solomon D14/434

D640,249 S * 6/2011 Choi D14/253
D645,867 S * 9/2011 Wong D14/447
D655,293 S * 3/2012 Gioscia D14/434
D680,118 S * 4/2013 Schmelling D14/434
D682,840 S * 5/2013 Tsai D14/447
D704,632 S * 5/2014 On D13/108
D714,788 S * 10/2014 Haller D14/434
D731,490 S * 6/2015 Kim D14/434
D736,774 S * 8/2015 Ahn D14/434
D749,509 S * 2/2016 Blau D13/108
2016/0072327 A1 * 3/2016 Knutson G06F 1/1632 320/108

* cited by examiner

Primary Examiner — Rosemary K Tarcza

Assistant Examiner — Nathaniel D. Buckner

(74) *Attorney, Agent, or Firm* — Marshall, Gerstein & Borun LLP

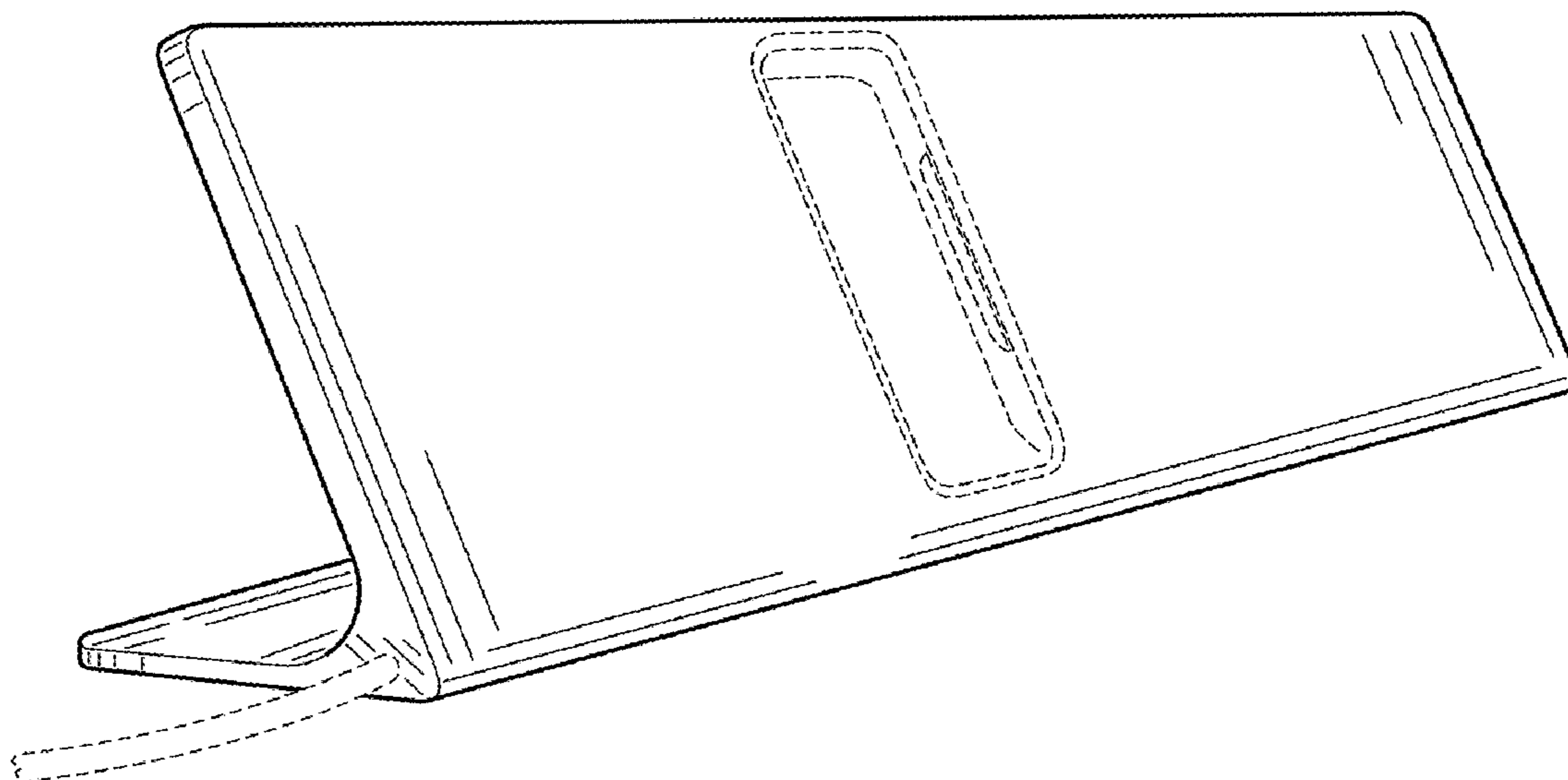
(57) **CLAIM**

The ornamental design for a charging stand, as shown and described.

DESCRIPTION

FIG. 1 is a right front perspective view of a charging stand showing our new design;
FIG. 2 is a front elevation view thereof;
FIG. 3 is a rear elevation view thereof;
FIG. 4 is a left side elevation view thereof;
FIG. 5 is a right side elevation view thereof;
FIG. 6 is a top plan view thereof; and,
FIG. 7 is a bottom plan view thereof.
The broken lines shown in the figures represent portions of the article which form no part of the claimed design.

1 Claim, 4 Drawing Sheets



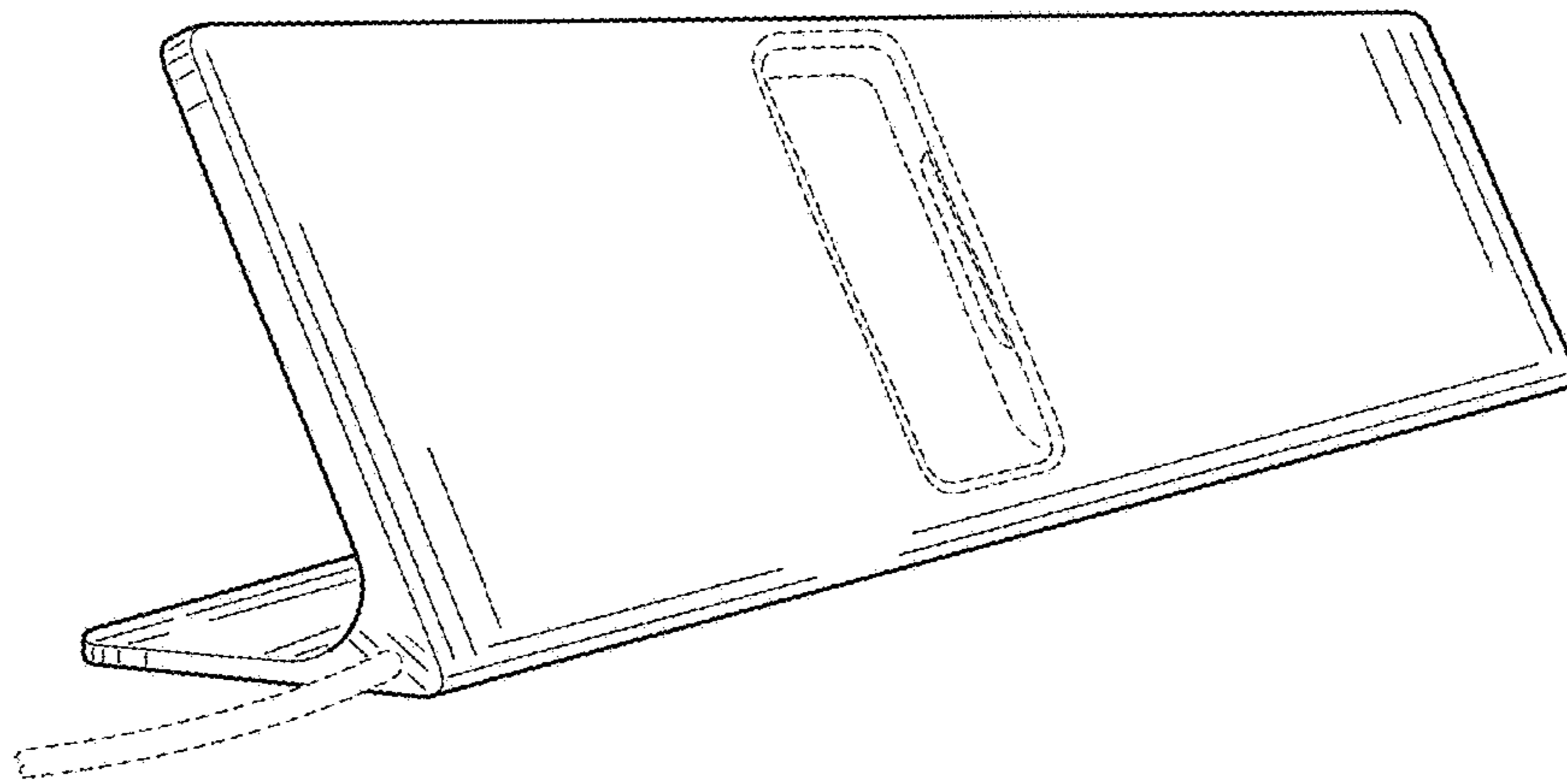


FIG. 1

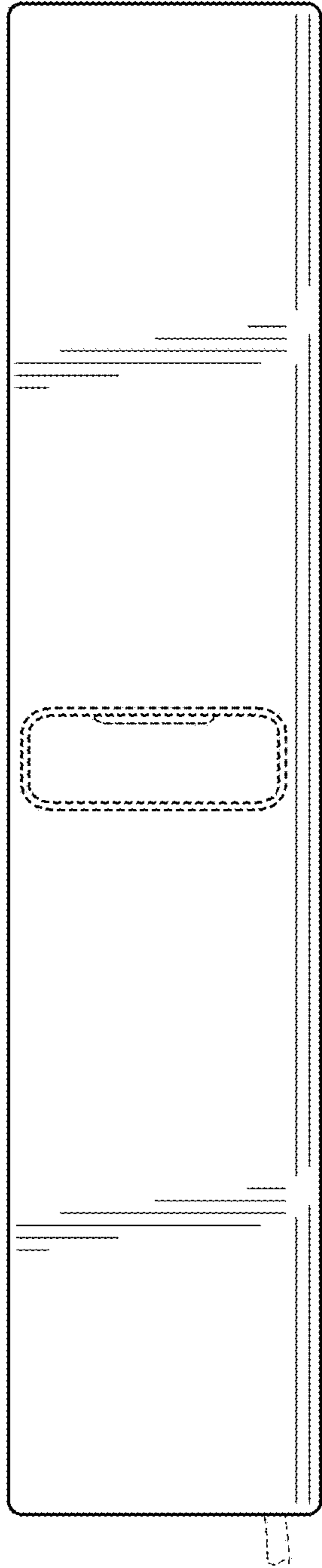


FIG. 2

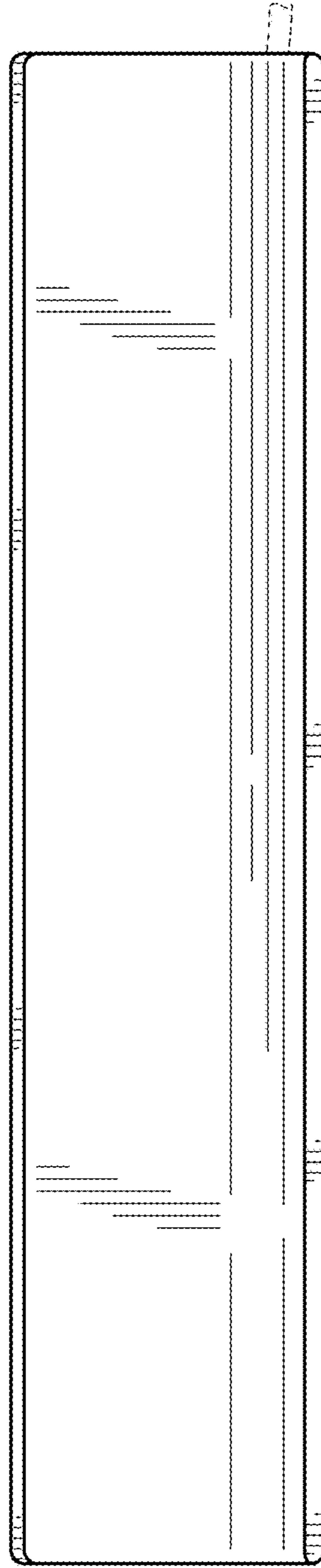


FIG. 3

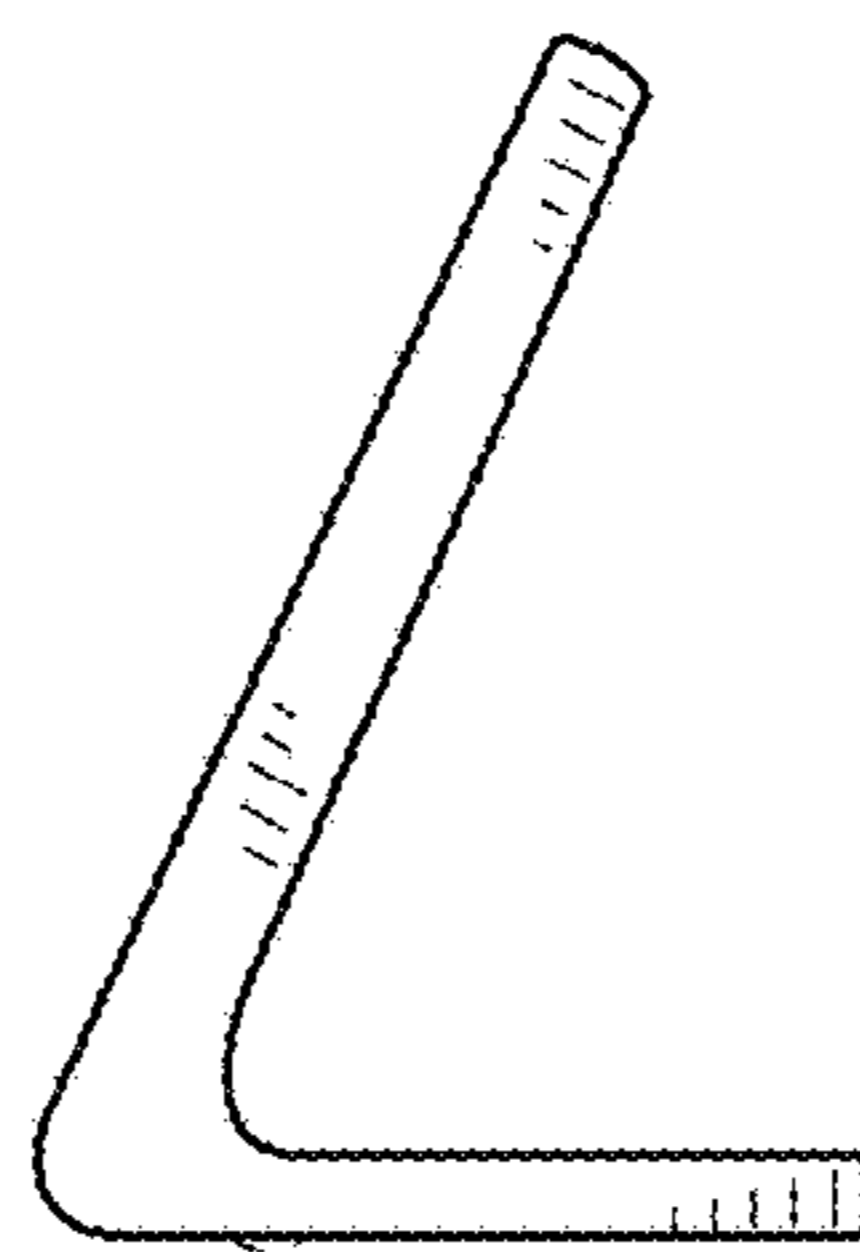


FIG. 4

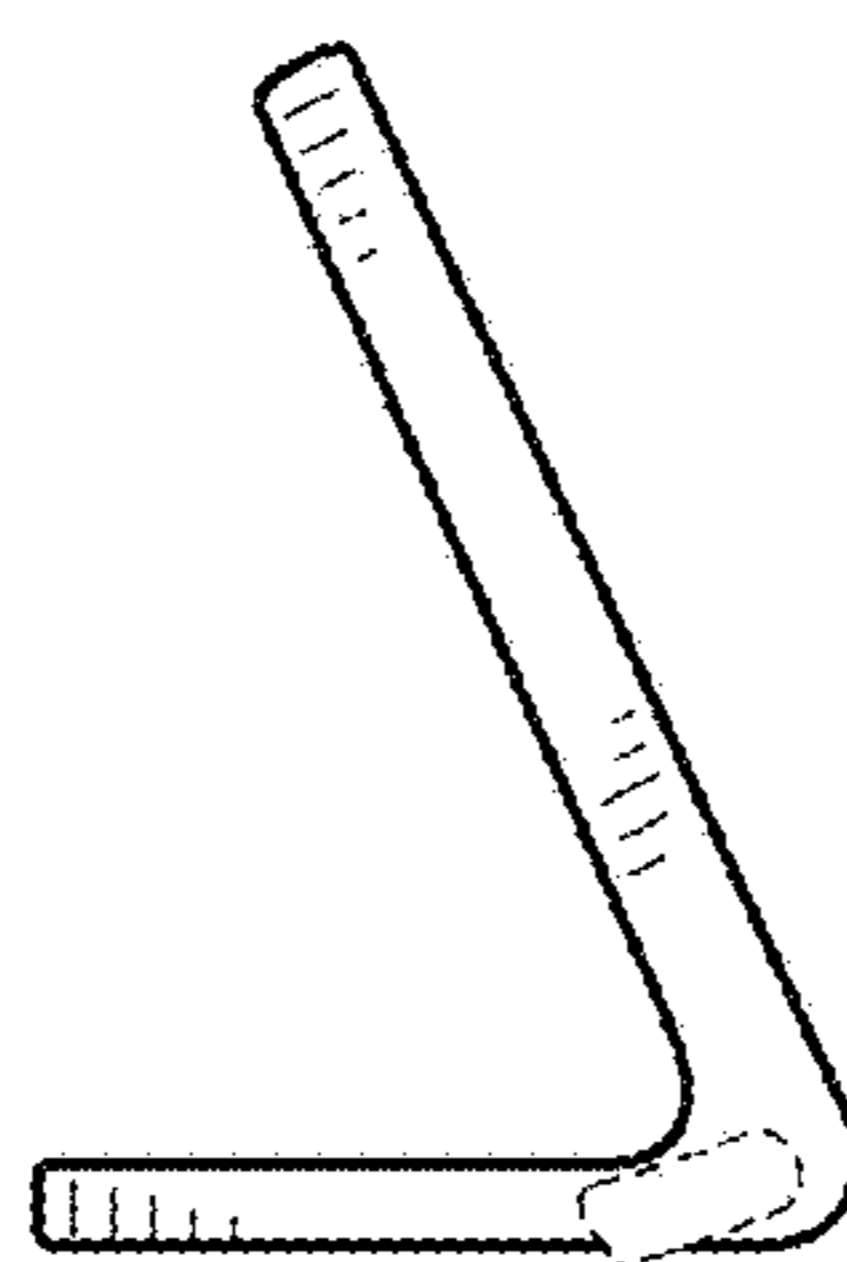


FIG. 5

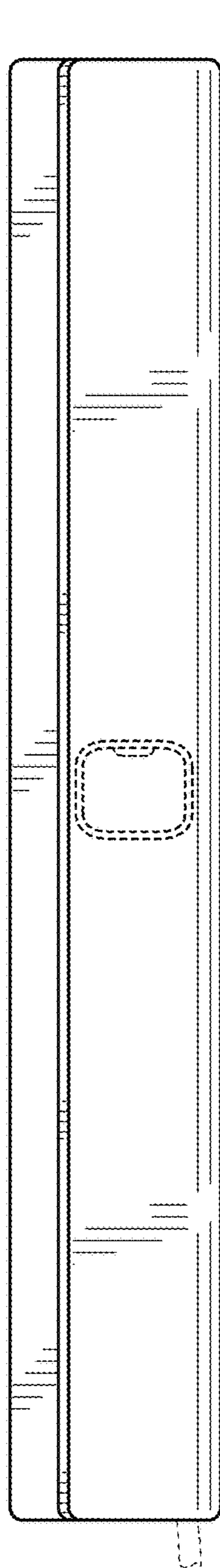


FIG. 6



Fig. 7