



US00D801921S

(12) **United States Design Patent** (10) **Patent No.:** **US D801,921 S**
Vetu (45) **Date of Patent:** **** Nov. 7, 2017**

- (54) **DC TO DC CHARGER**
- (71) Applicant: **Gabriel Dennis Vetu**, Hong Kong (HK)
- (72) Inventor: **Gabriel Dennis Vetu**, Hong Kong (HK)
- (73) Assignee: **Premier Technologies Ltd.**, Hong Kong (HK)
- (**) Term: **15 Years**
- (21) Appl. No.: **29/558,601**
- (22) Filed: **Mar. 18, 2016**
- (51) **LOC (10) Cl.** **13-02**
- (52) **U.S. Cl.**
USPC **D13/107**
- (58) **Field of Classification Search**
USPC D13/107-110, 117-119, 184; D14/251, D14/253, 432, 434
CPC Y02E 60/12; Y02T 90/14; Y02T 90/122; Y02T 90/128; Y02T 90/163; H02M 3/18; H02J 7/025; H02J 7/0042; H02J 7/0044; H02J 7/0045; H02J 7/0003; H01F 38/14; H01R 13/6675; H01M 2/1022; H01M 2/1055; H01M 10/44; H01M 10/46; H01M 10/425
See application file for complete search history.

- (56) **References Cited**
U.S. PATENT DOCUMENTS
D387,333 S * 12/1997 Pellow D13/162
D427,969 S * 7/2000 Wei D13/110
D429,225 S * 8/2000 Halliday D13/184
D437,288 S * 2/2001 Light D13/110
D483,329 S * 12/2003 Kuo D13/110
D492,251 S * 6/2004 Cameron D13/110
D505,915 S * 6/2005 Hussaini D13/110
D510,320 S * 10/2005 Tuomola D13/110
D524,245 S * 7/2006 Carson D13/110

- D554,062 S * 10/2007 Ohmi D13/110
- D558,142 S * 12/2007 Cho D13/110
- D610,539 S * 2/2010 Dahan D13/110
- D654,021 S * 2/2012 Sweeney D13/110
- D662,880 S * 7/2012 Scott D13/110
- D665,741 S * 8/2012 Hu D13/118
- D676,808 S * 2/2013 Zhou D13/108
- D691,972 S * 10/2013 Lin D13/177
- D700,141 S * 2/2014 Zhang D13/110
- D709,448 S * 7/2014 Zhang D13/110
- D716,730 S * 11/2014 Liu D13/110
- D727,846 S * 4/2015 Wen D13/110

(Continued)

Primary Examiner — Rosemary K Tarcaza
Assistant Examiner — Christy Nemeth

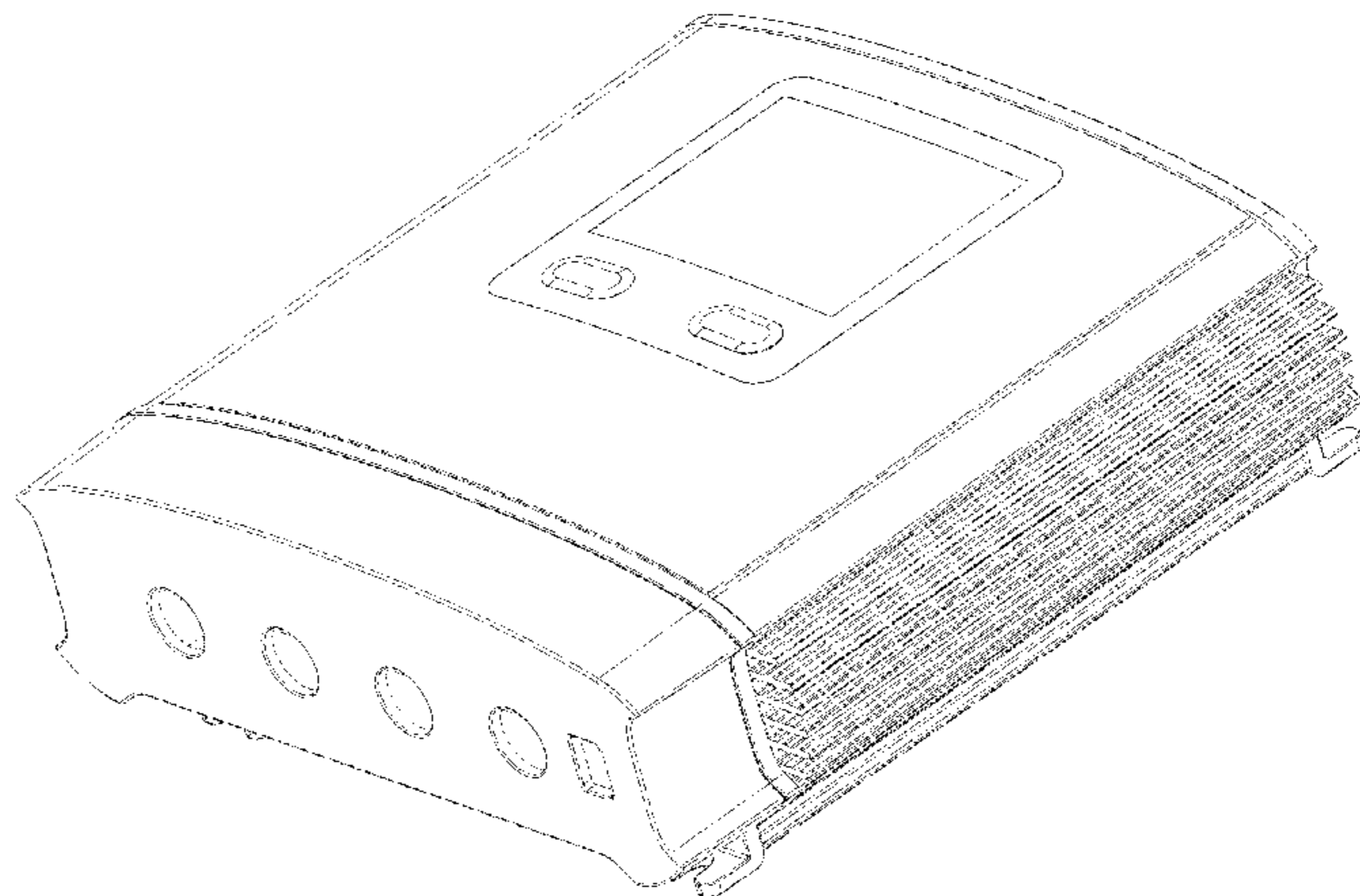
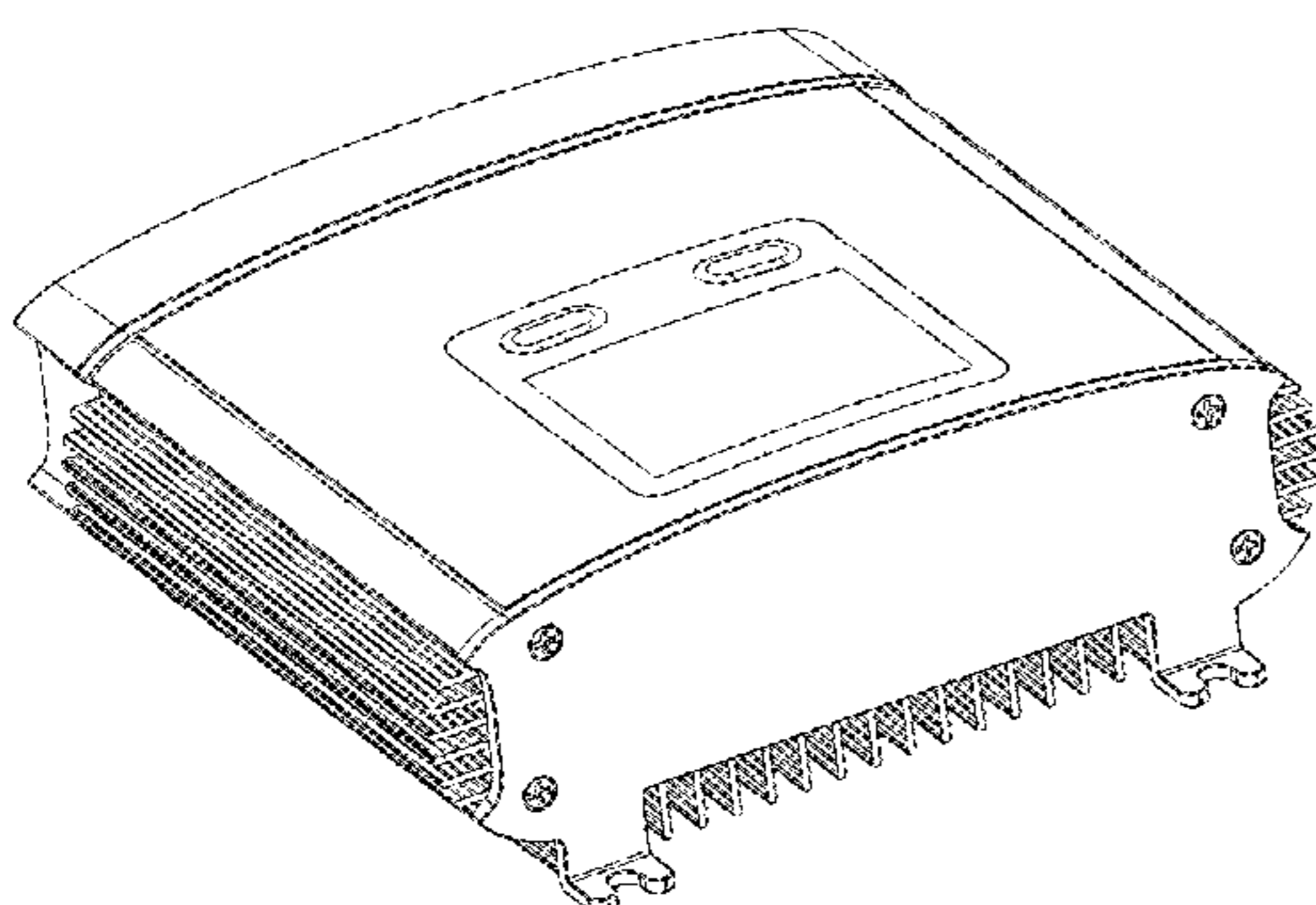
(57) **CLAIM**

The ornamental design for a DC to DC charger, as shown and described.

DESCRIPTION

FIG. 1 shows a front plan view of a DC to DC charger; FIG. 2 shows a rear plan view of the DC to DC charger of FIG. 1; FIG. 3 shows a left plan view of the DC to DC charger of FIG. 1; FIG. 4 shows a right plan view of the DC to DC charger of FIG. 1; FIG. 5 shows a top plan view of the DC to DC charger of FIG. 1; FIG. 6 shows a bottom view of the DC to DC charger of FIG. 1; FIG. 7 shows a top-front perspective of the DC to DC charger of FIG. 1; and, FIG. 8 shows a bottom-front perspective view of the DC to DC charger of FIG. 1. The broken lines in the drawings are for the purposes of illustrating elements of the DC to DC charger that form no part of the claimed design.

1 Claim, 8 Drawing Sheets



(56)

References Cited

U.S. PATENT DOCUMENTS

D739,347 S * 9/2015 Huang D13/110
D743,886 S * 11/2015 Nomi D13/108
D766,825 S * 9/2016 Li D13/110

* cited by examiner

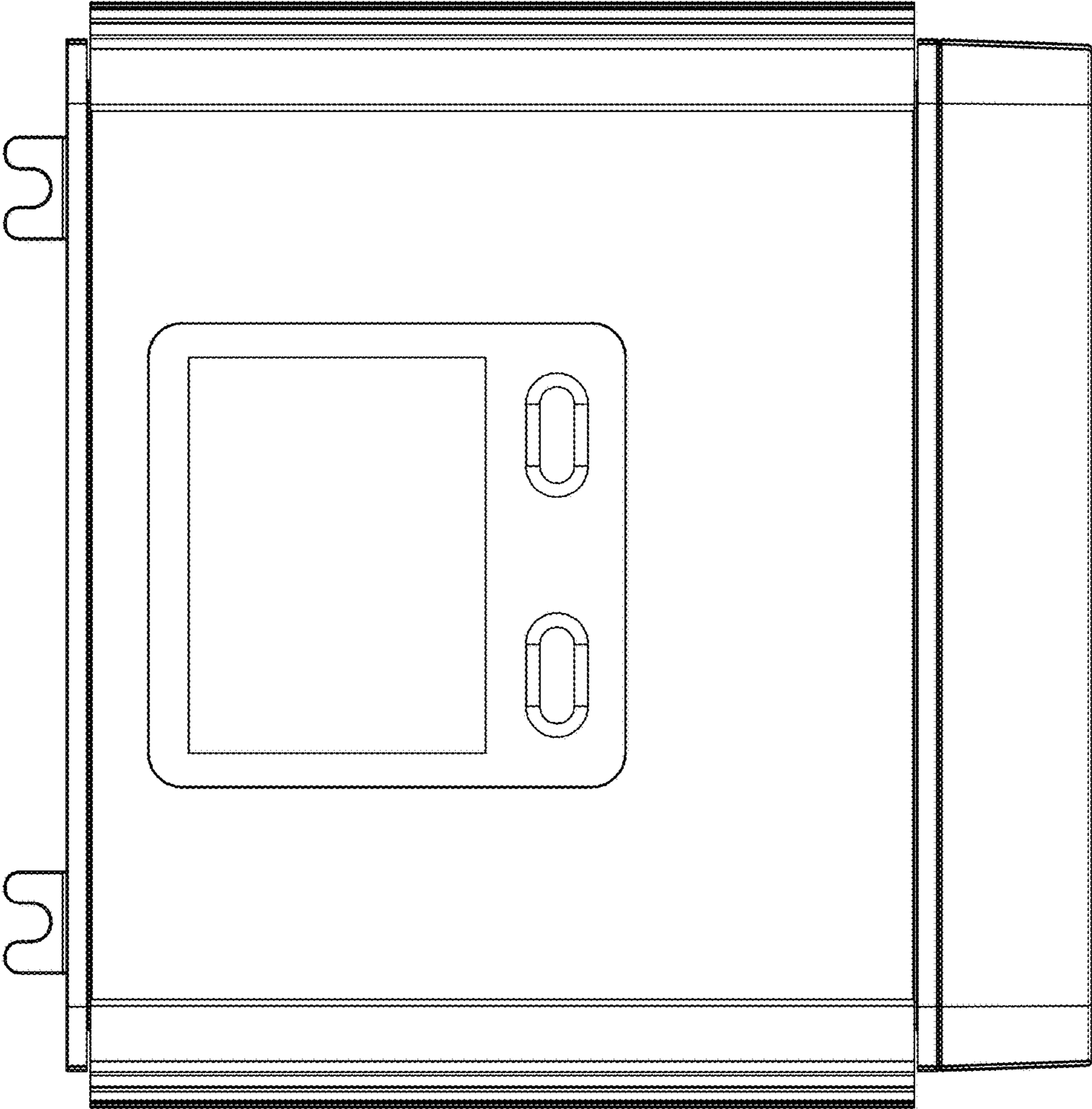


Fig. 1

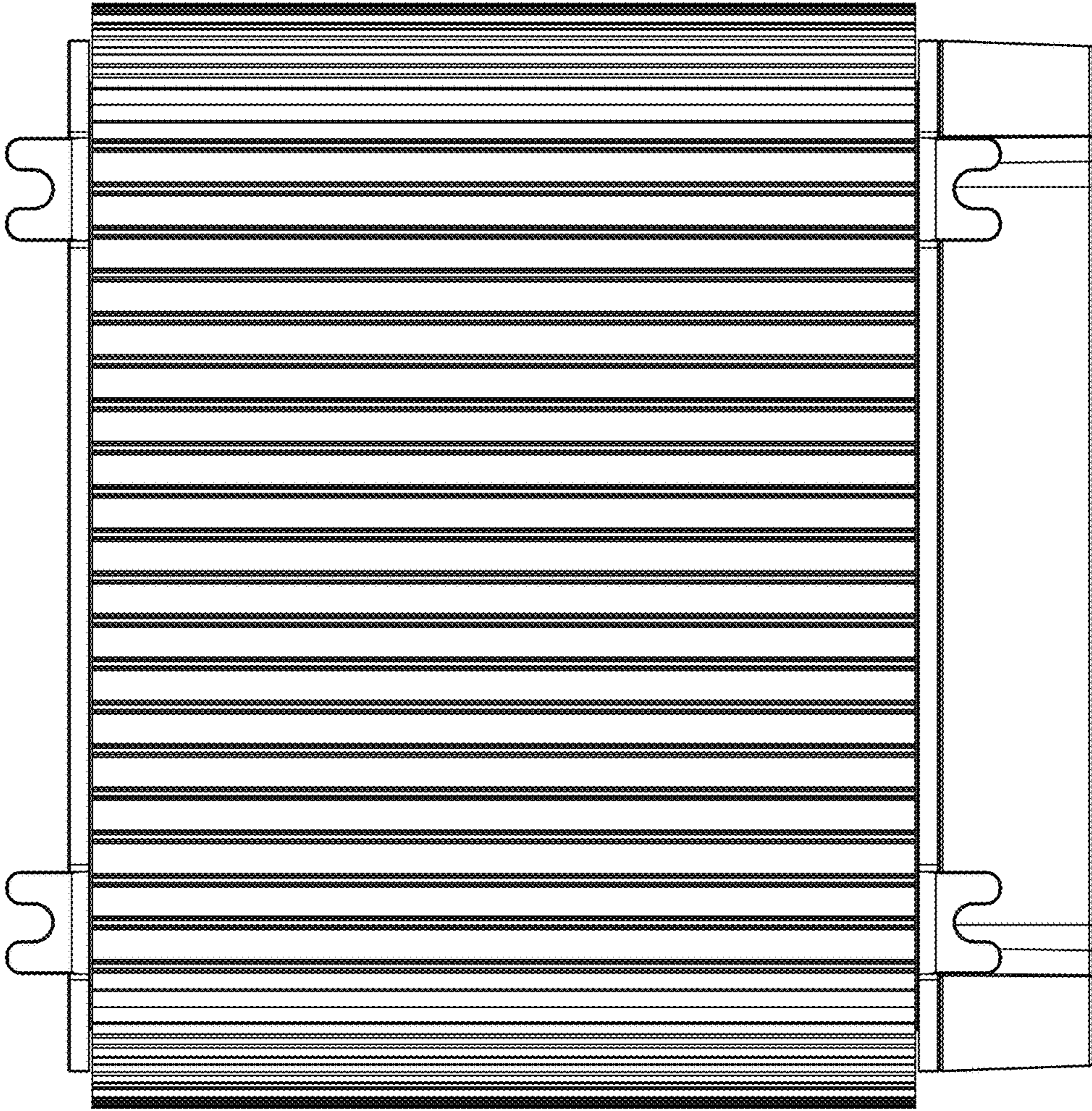


FIG. 2



FIG. 3

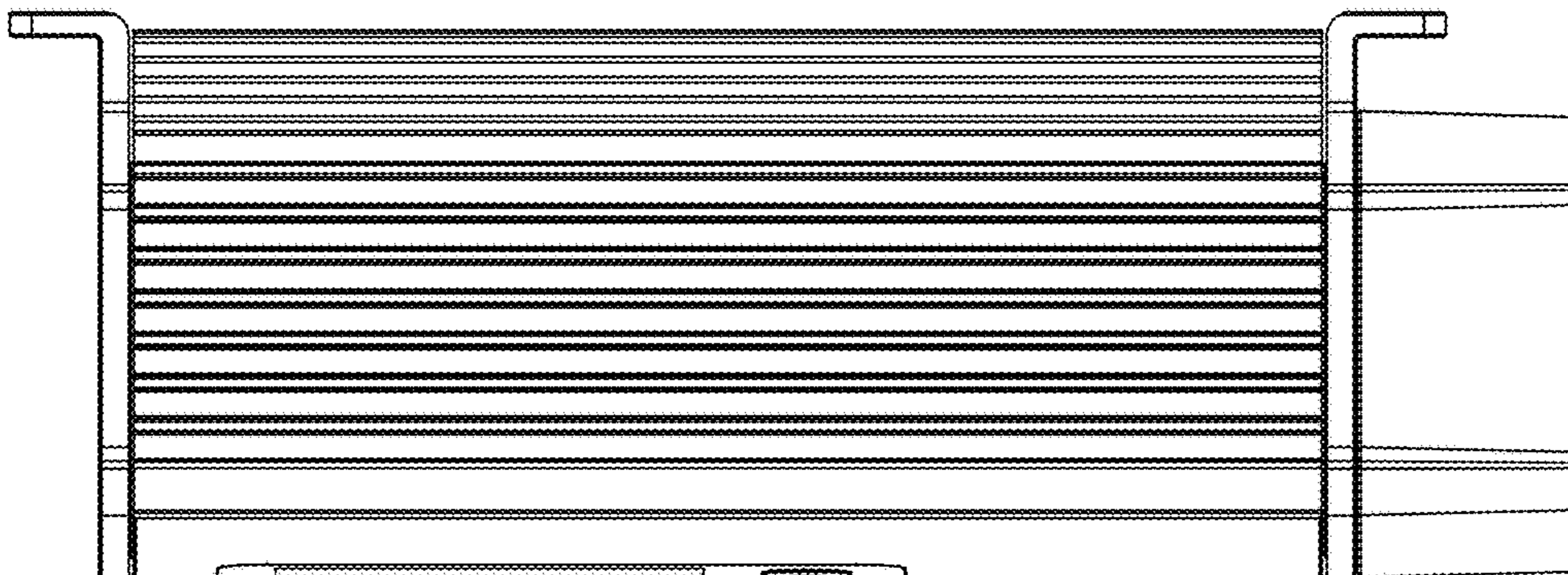


Fig. 4

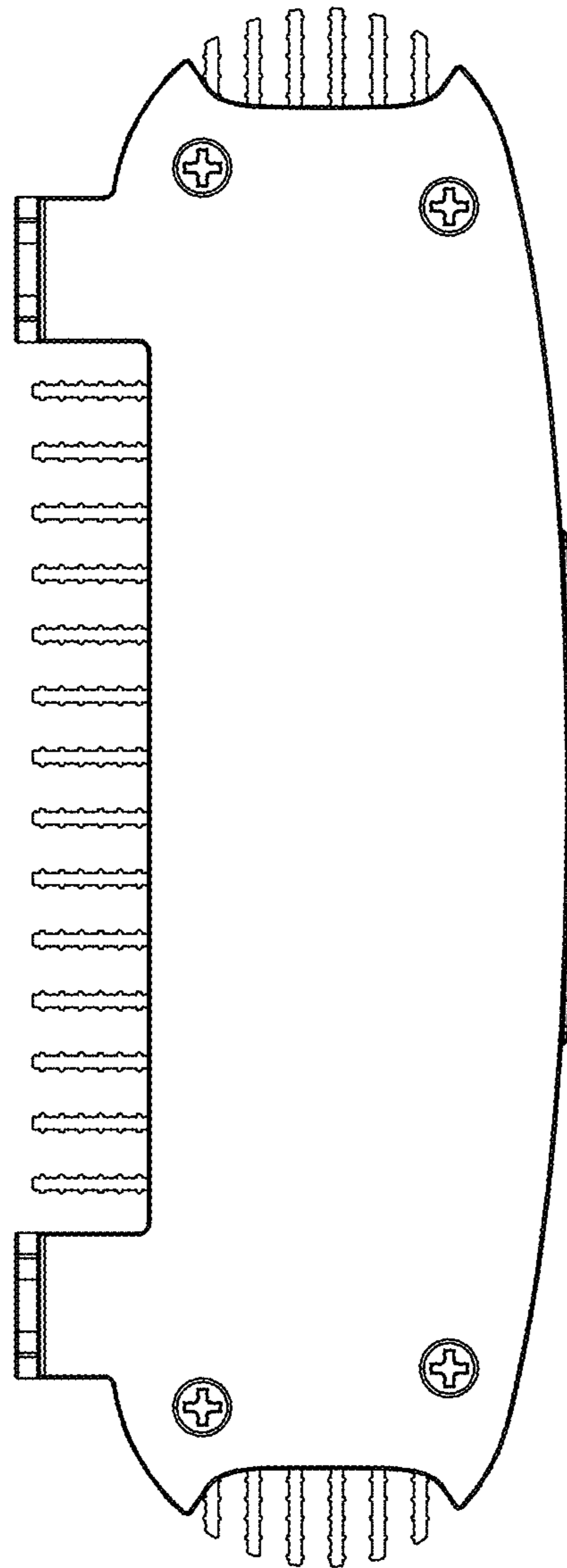


FIG. 5

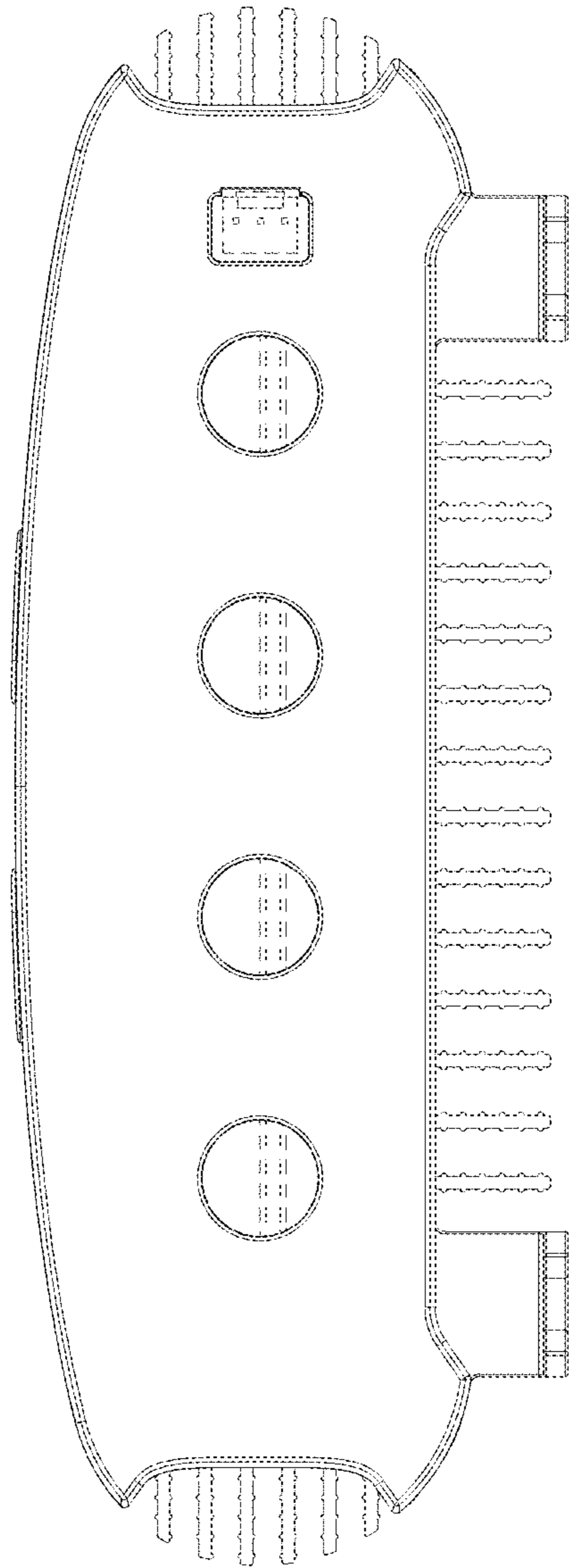


Fig. 6

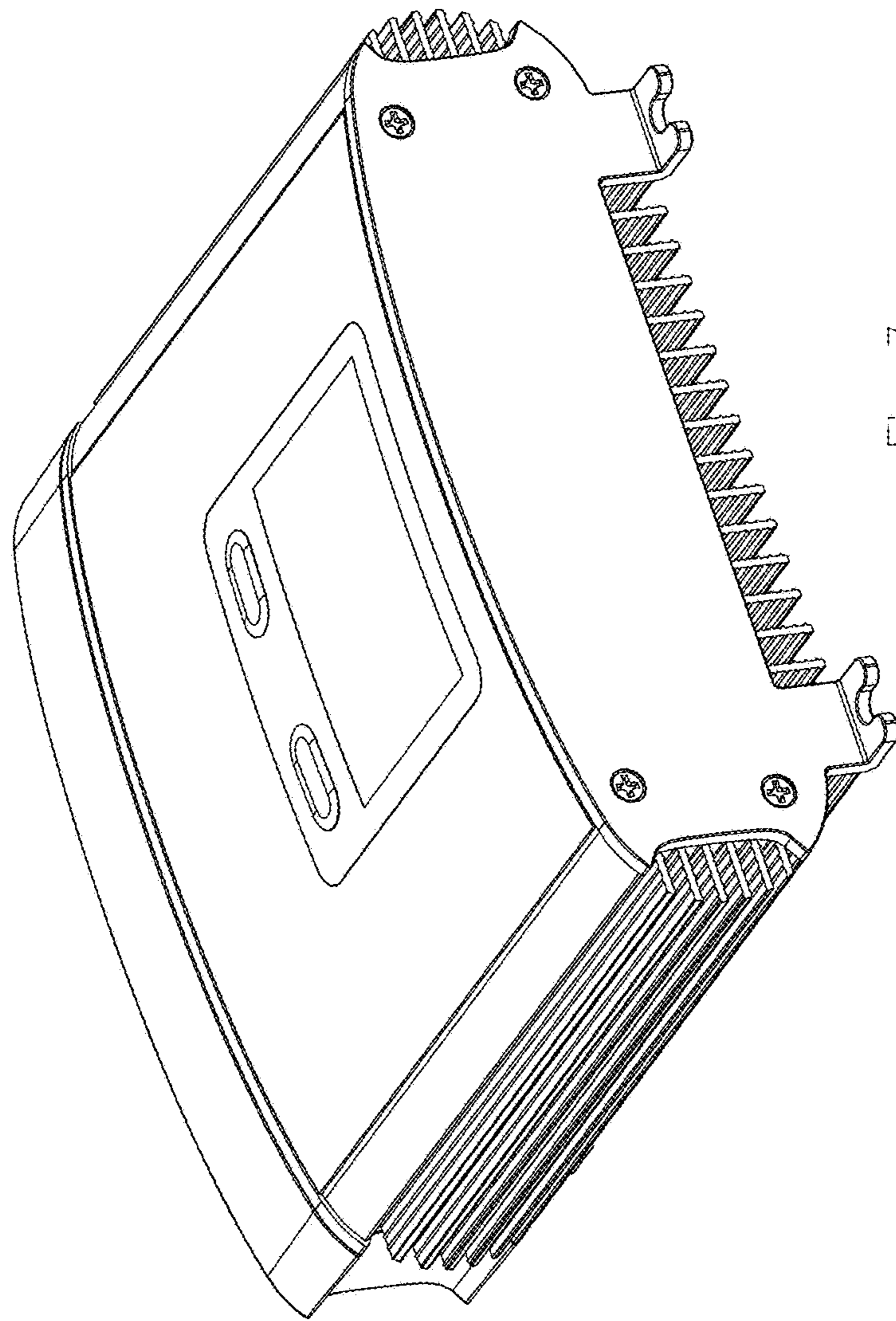


FIG. 7

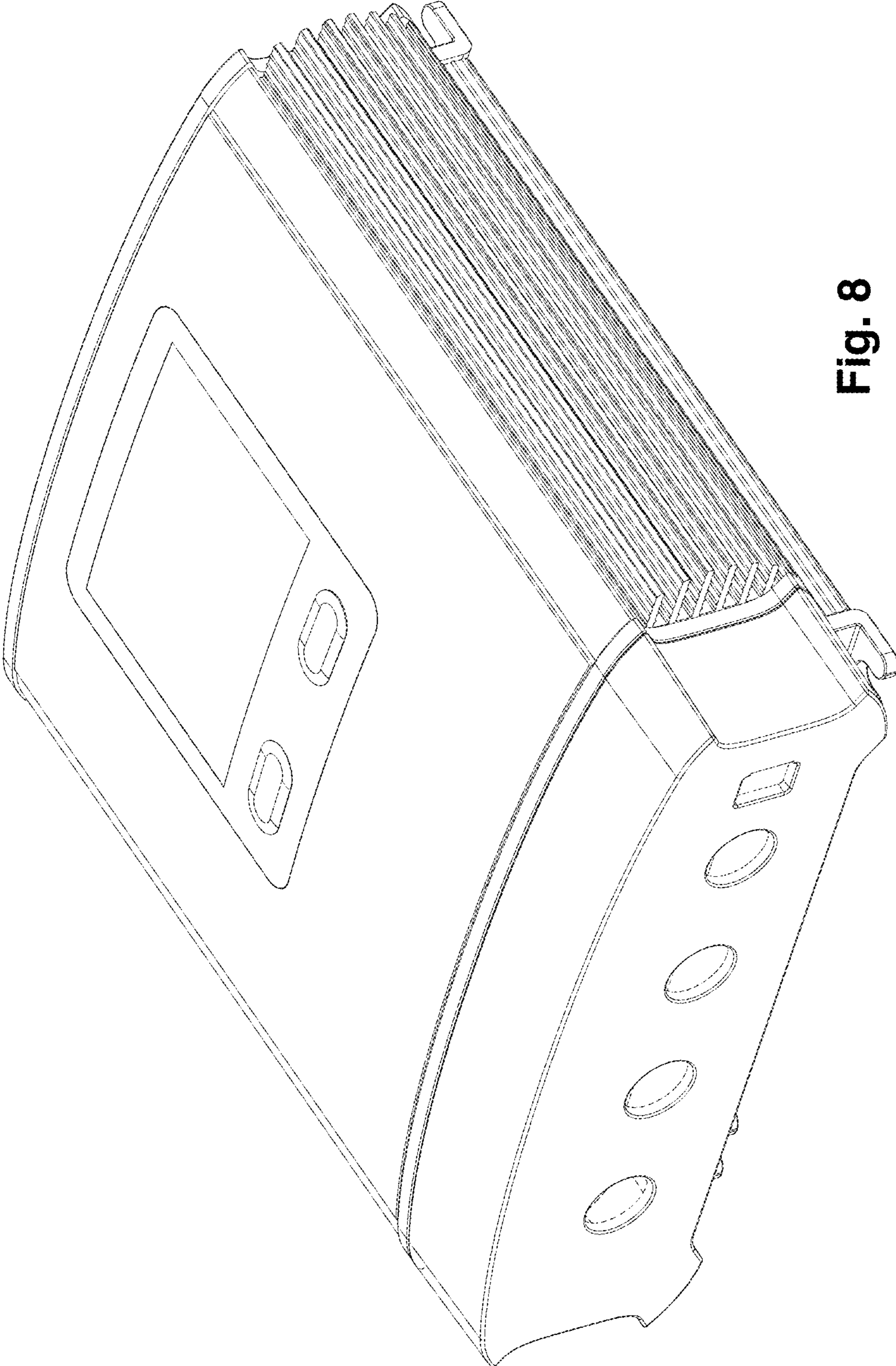


Fig. 8