



US00D801919S

(12) **United States Design Patent** (10) **Patent No.:** **US D801,919 S**
Elder (45) **Date of Patent:** **** Nov. 7, 2017**

(54) **BATTERY PACK**
(71) Applicant: **BLACK & DECKER INC.**, New Britain, CT (US)
(72) Inventor: **Christian V. Elder**, Baltimore, MD (US)
(73) Assignee: **Black & Decker Inc.**, New Britain, CT (US)

D682,194 S * 5/2013 Jiang D13/103
D699,670 S * 2/2014 Cooper D13/103
8,974,951 B2 * 3/2015 Park H01M 2/105
429/100
D780,688 S * 3/2017 Elder D13/103
D785,562 S * 5/2017 Cooper D13/103
2015/0357683 A1 * 12/2015 Lohr H01F 38/14
320/108
2017/0104243 A1 * 4/2017 Velderman H01M 10/4207
2017/0110709 A1 * 4/2017 Kolden H01M 2/32

* cited by examiner

(**) Term: **15 Years**

Primary Examiner — Rosemary K Tarcza

Assistant Examiner — Alison Ofstun

(21) Appl. No.: **29/577,717**

(74) *Attorney, Agent, or Firm* — Michael Aronoff

(22) Filed: **Sep. 15, 2016**

(51) **LOC (10) Cl.** **13-02**

(52) **U.S. Cl.**
USPC **D13/103**

(57) **CLAIM**

The ornamental design for a battery pack, as shown and described.

(58) **Field of Classification Search**
USPC D13/102–106, 110, 118–119, 184
CPC Y02E 60/12; Y02E 60/122; Y02E 60/124;
Y02E 60/50; H01M 2/02; H01M 2/022;
H01M 2/0202; H01M 2/0207; H01M
2/0212; H01M 2/1061; H01M 2/1022;
H01M 2/1055; H01M 2/1066; H01M
2/105; H01M 2/204; H01M 10/4257;
H01M 10/0436; H01M 10/48
See application file for complete search history.

DESCRIPTION

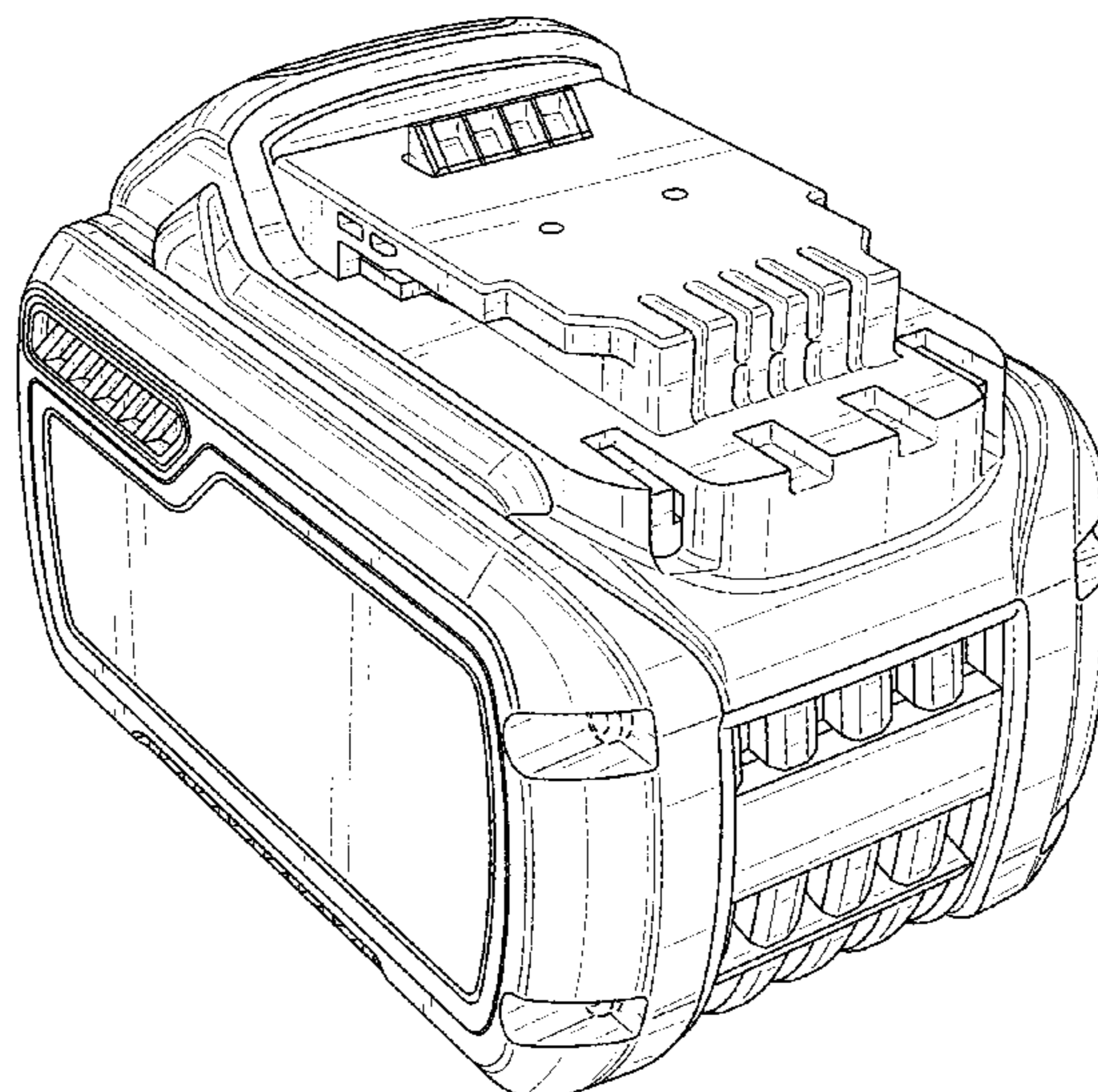
(56) **References Cited**

U.S. PATENT DOCUMENTS

D555,086 S * 11/2007 Zhang D13/103
D589,439 S * 3/2009 Van Wambeke D13/103
D589,441 S * 3/2009 Van Wambeke D13/103
D604,695 S * 11/2009 Aglassinger D13/103
D610,082 S * 2/2010 Sweeney D13/103
D622,661 S * 8/2010 Yamada D13/103
D640,975 S * 7/2011 Okuda D13/103
D643,809 S * 8/2011 Okuda D13/103
D657,307 S * 4/2012 Zhao D13/103

FIG. 1 is a left side view of a battery pack, showing my new design;
FIG. 2 is a front view thereof;
FIG. 3 is a right side view thereof;
FIG. 4 is a rear view thereof;
FIG. 5 is a bottom view thereof;
FIG. 6 is a top view thereof;
FIG. 7 is a first top perspective view thereof;
FIG. 8 is a second top perspective view thereof;
FIG. 9 is a third top perspective view thereof;
FIG. 10 is a fourth top perspective view thereof;
FIG. 11 is a first bottom perspective view thereof;
FIG. 12 is a second bottom perspective view thereof;
FIG. 13 is a third bottom perspective view thereof; and,
FIG. 14 is a fourth bottom perspective view thereof.
The broken lines present in the drawings are included for the purpose of illustrating portions of the article which form no part of the claimed design.

1 Claim, 14 Drawing Sheets



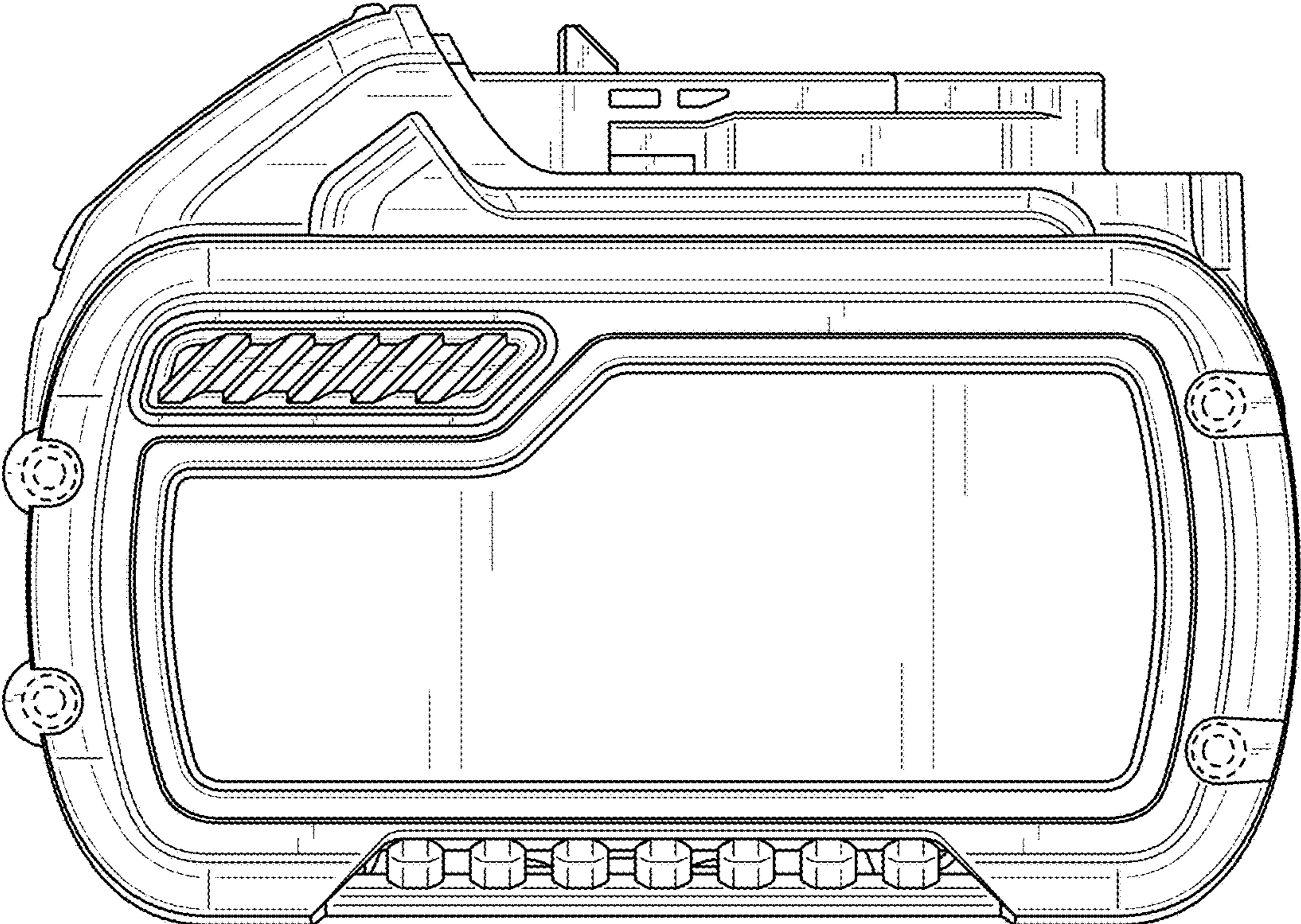


FIG. 1

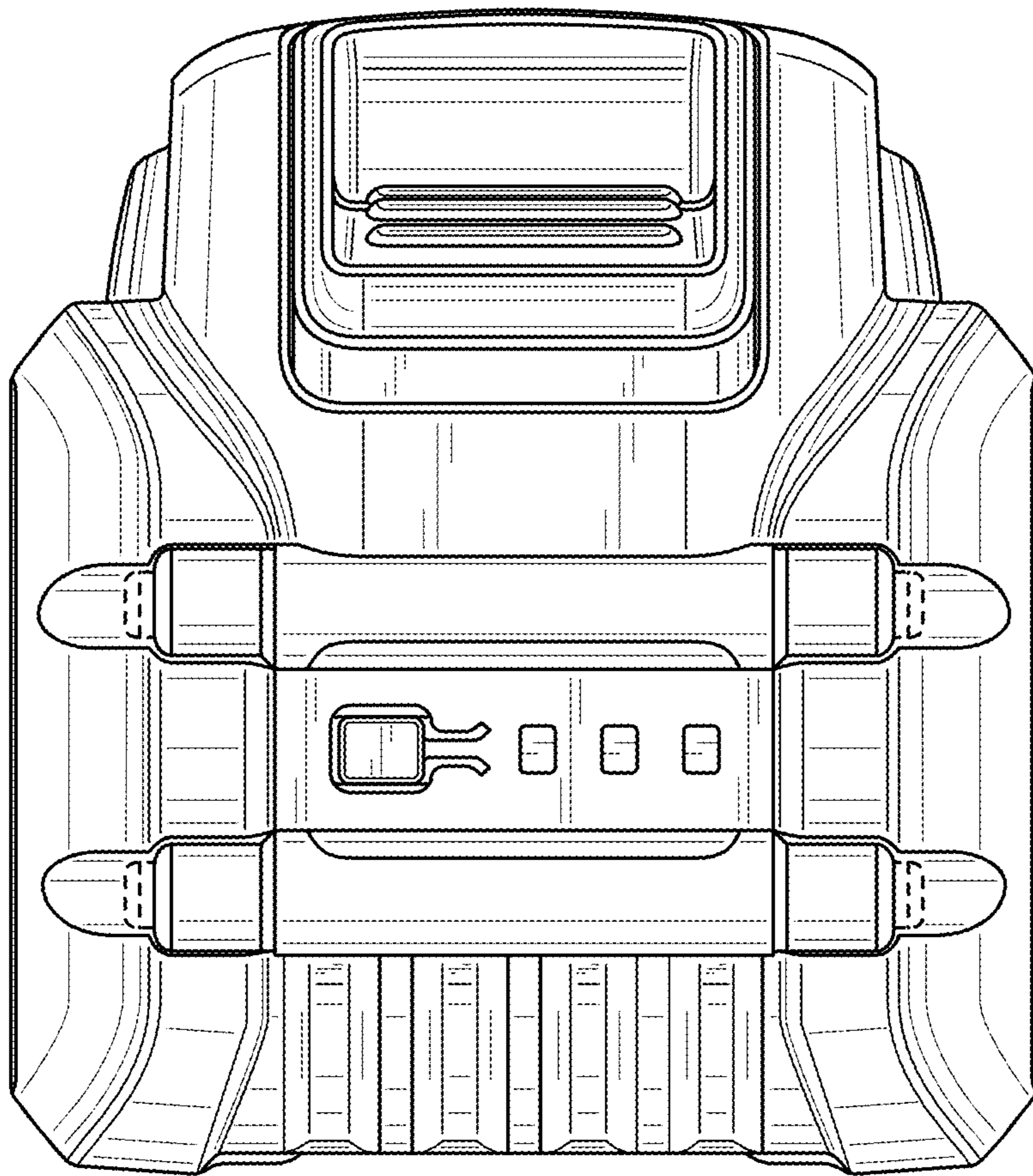


FIG. 2

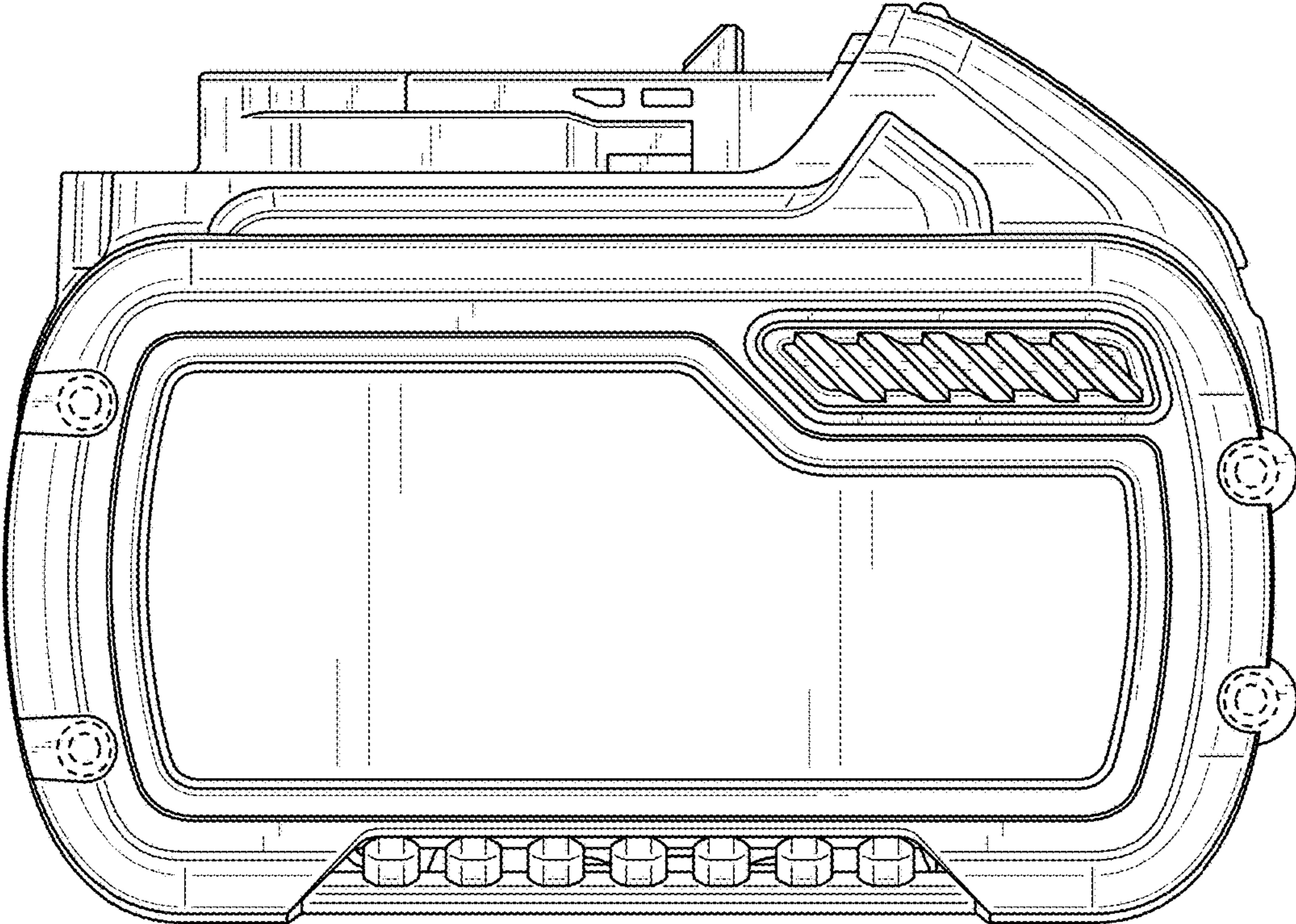


FIG. 3

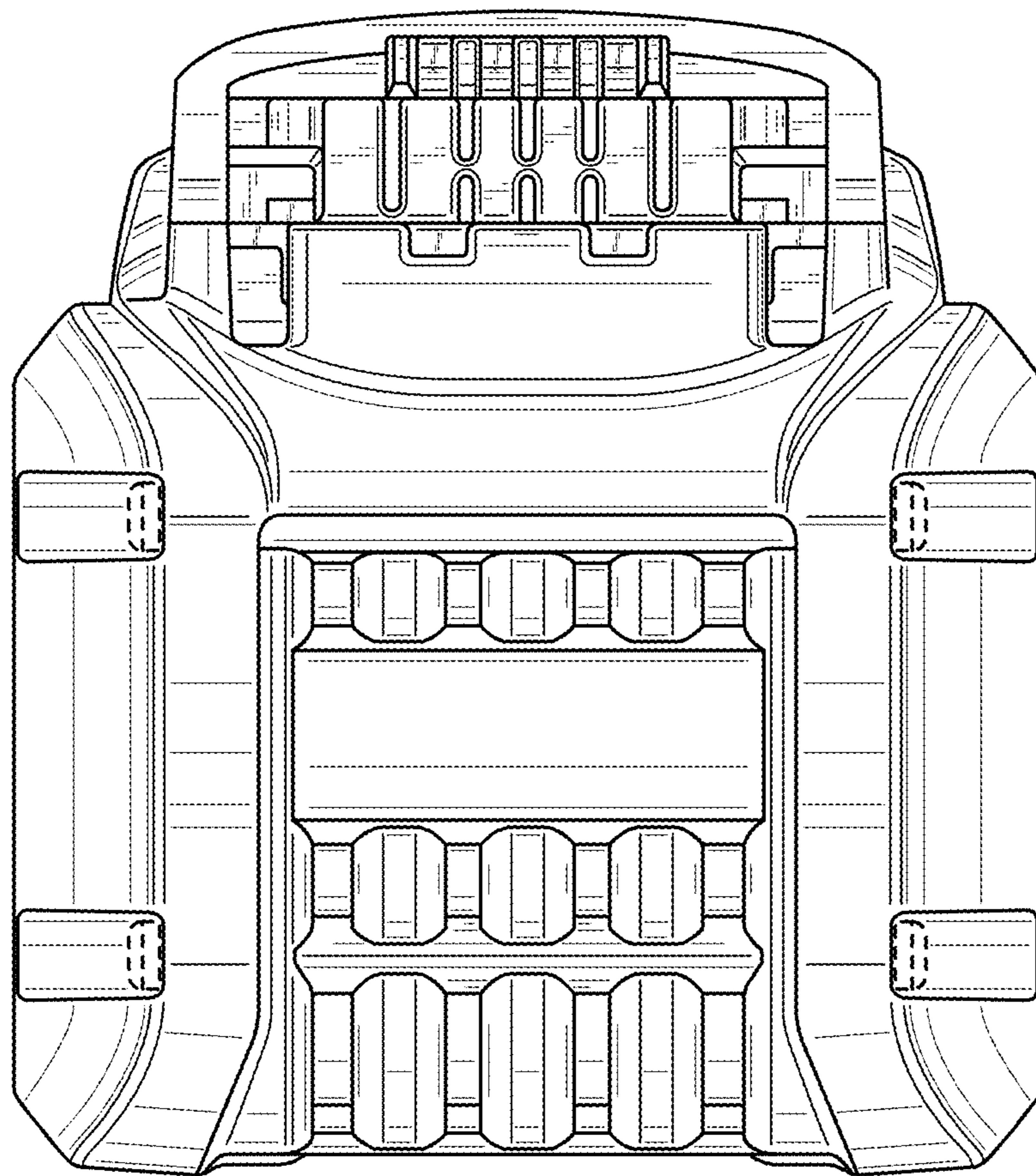


FIG. 4

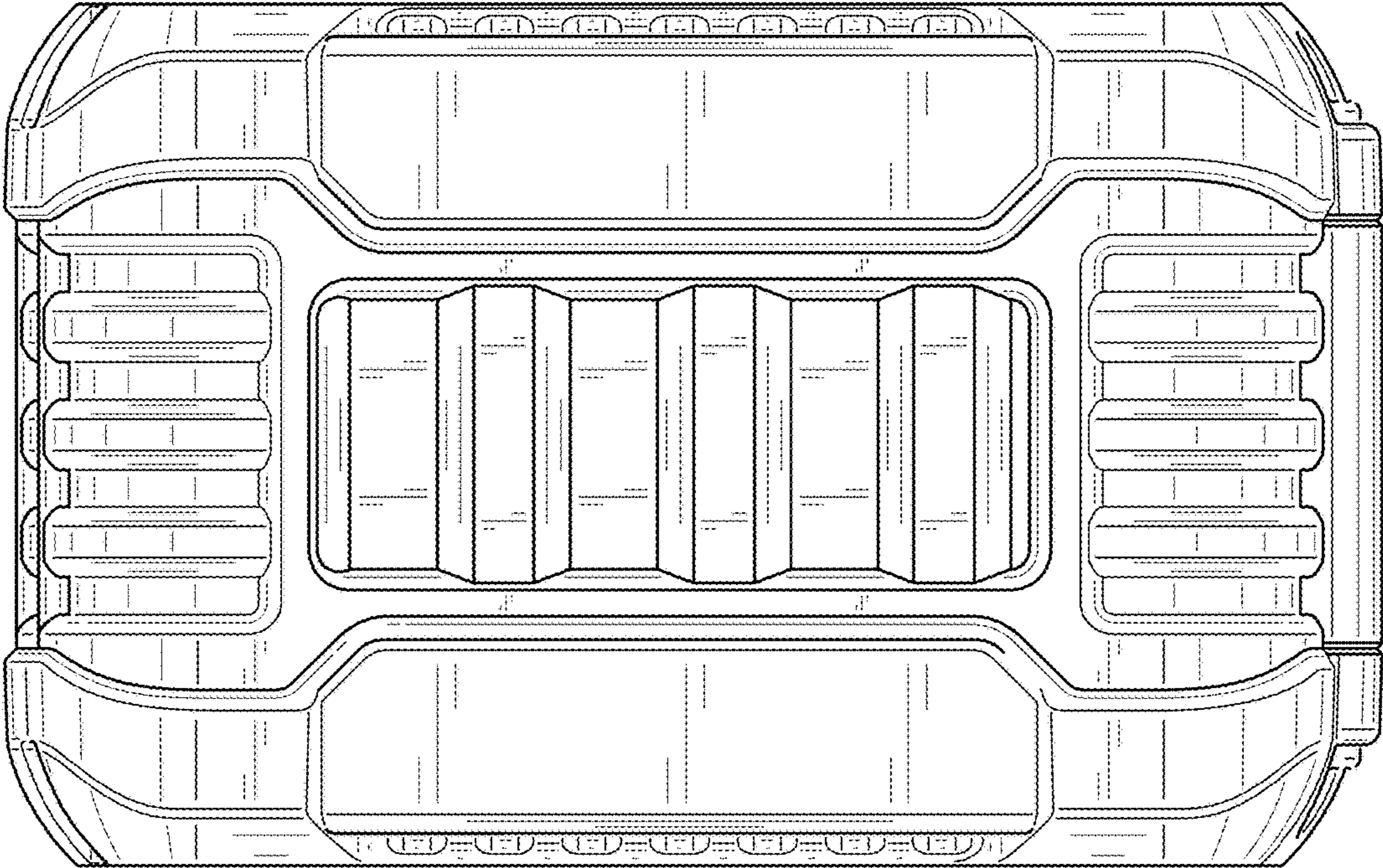


FIG. 5

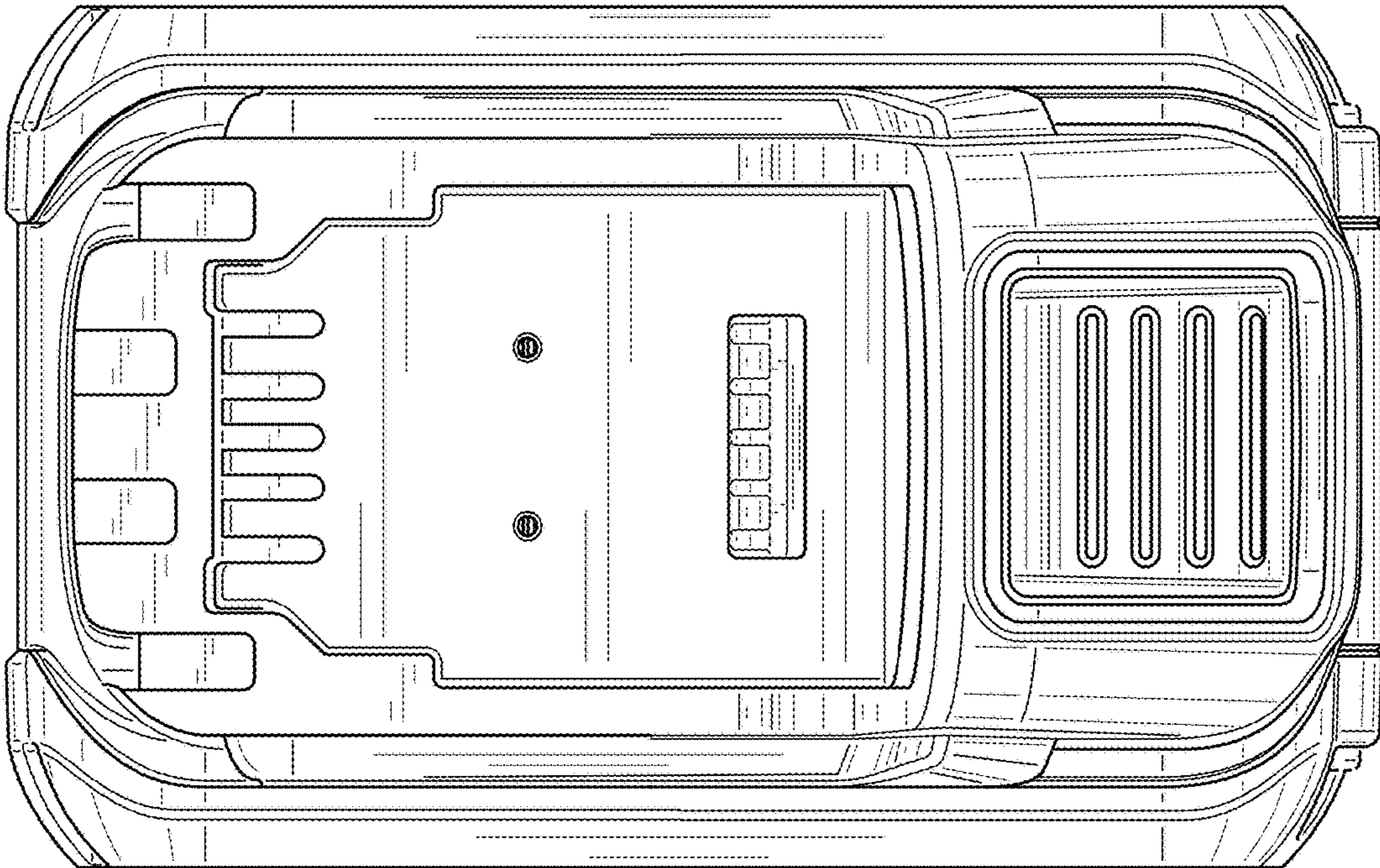


FIG. 6

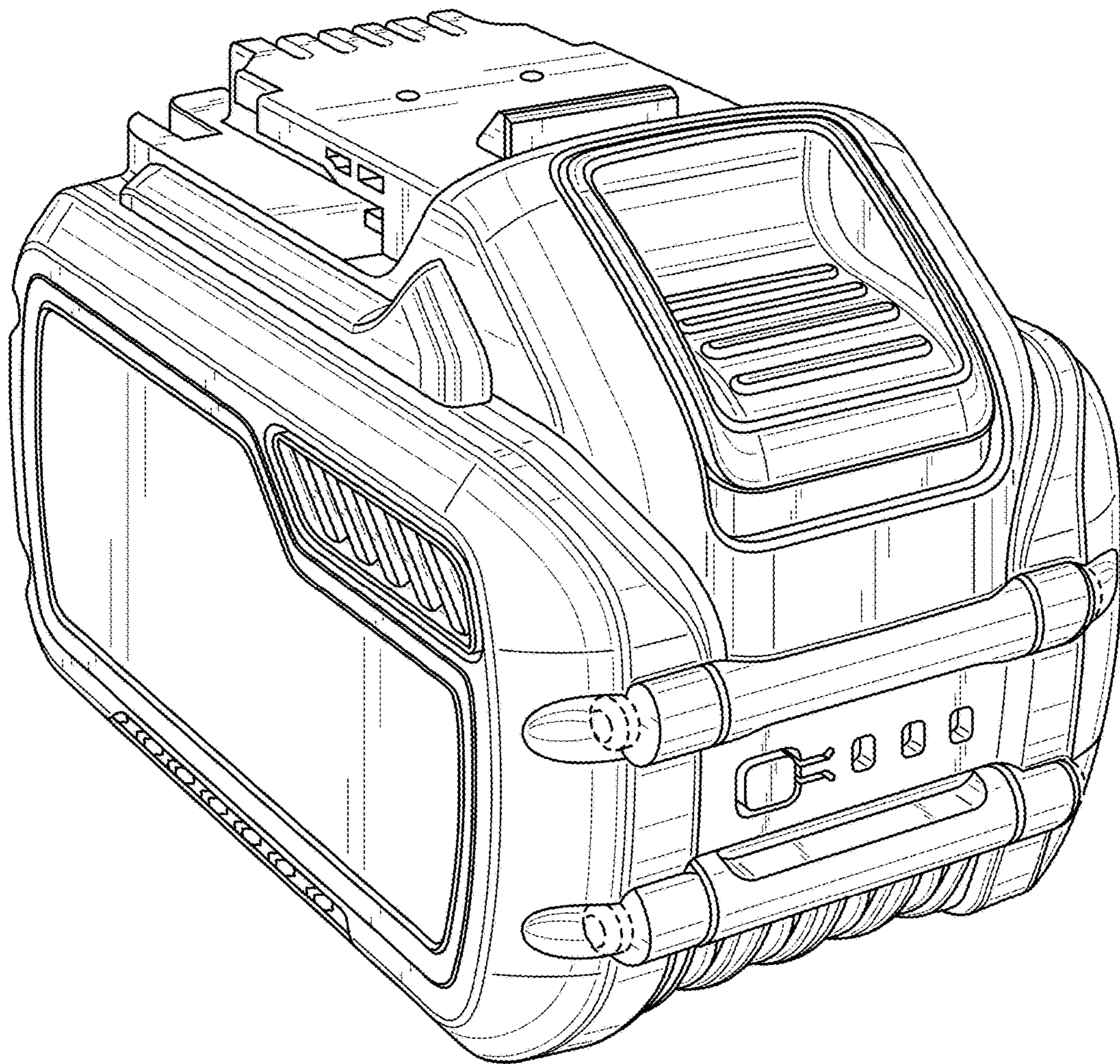


FIG. 7

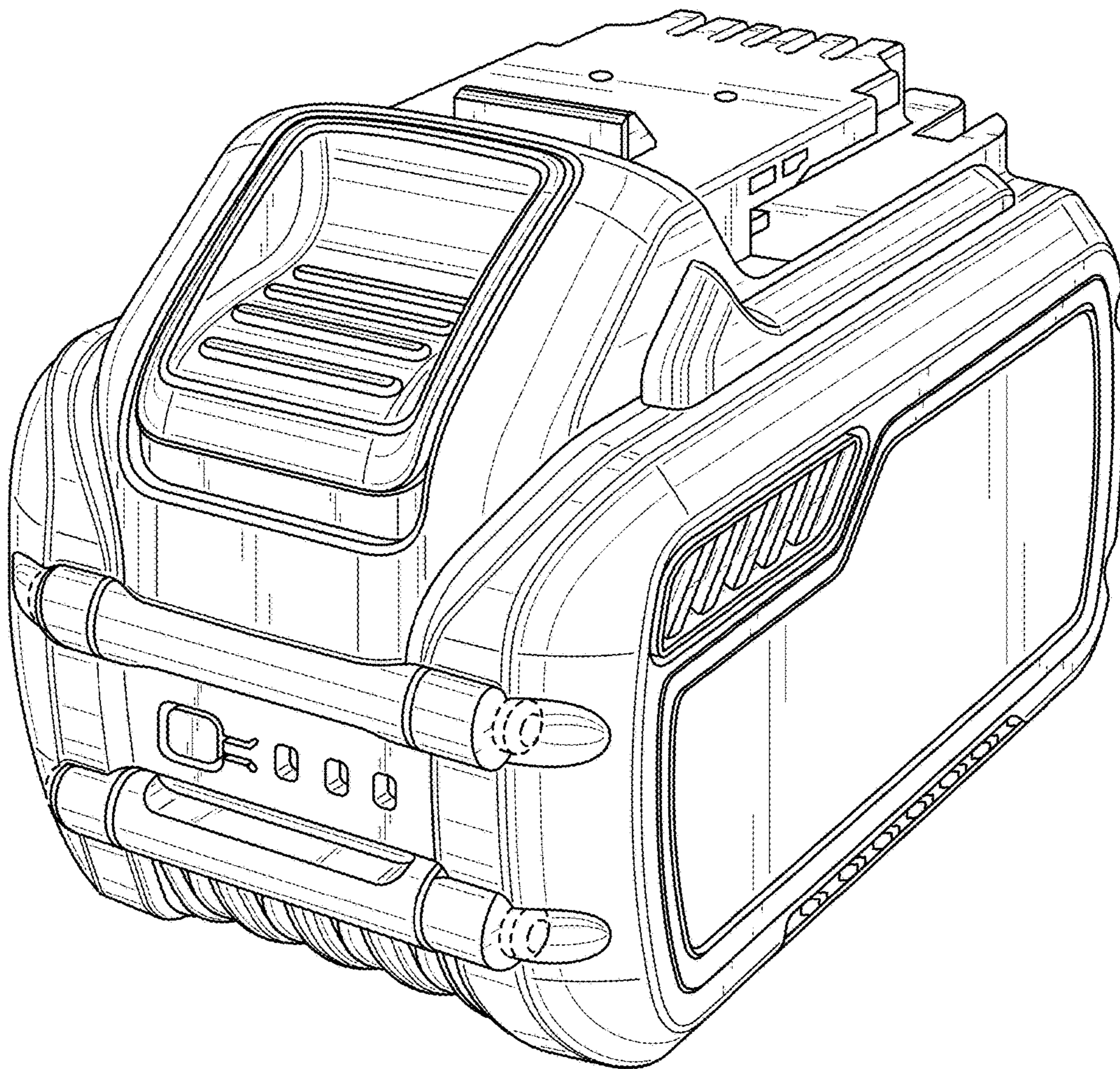


FIG. 8

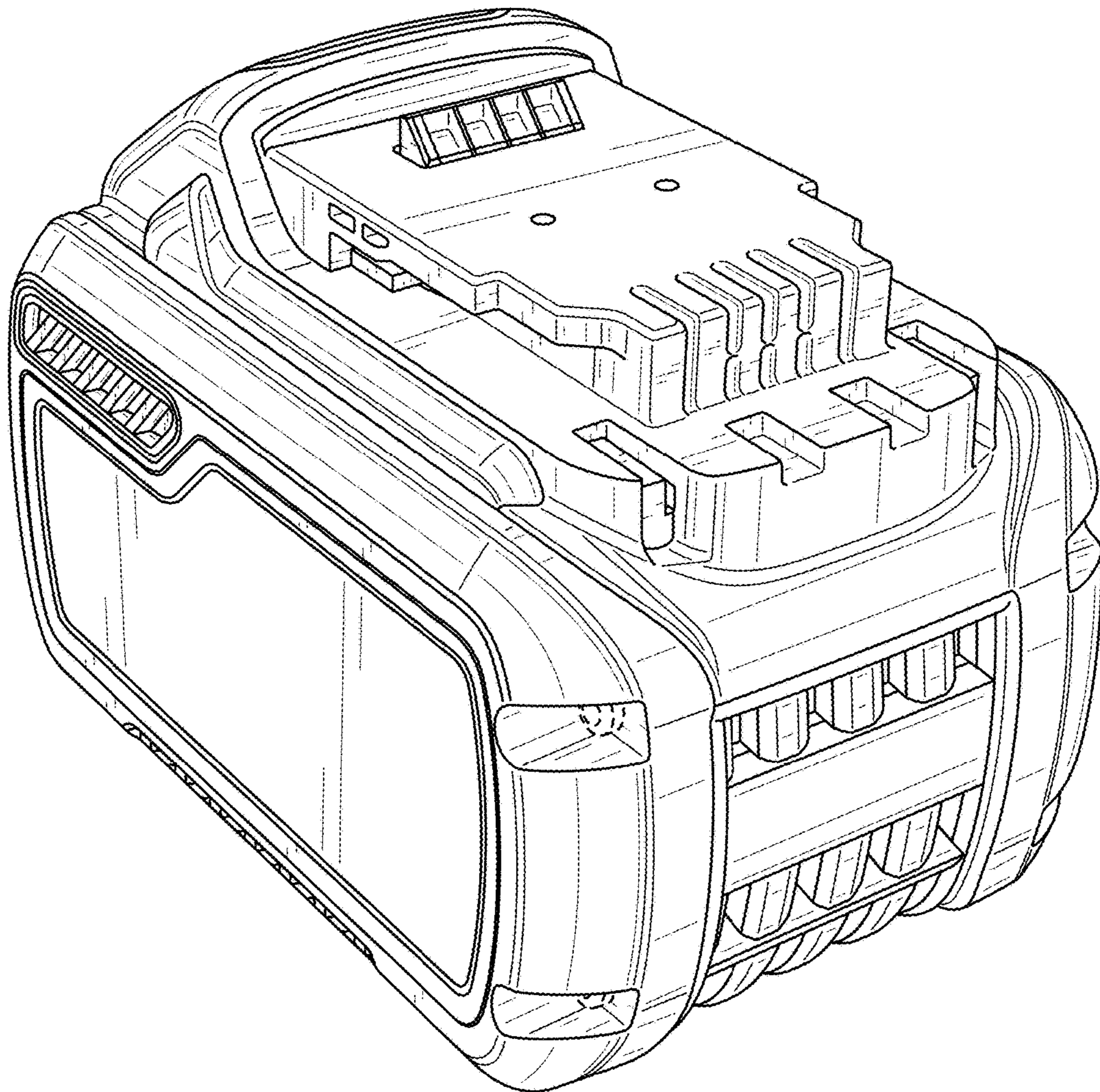


FIG. 9

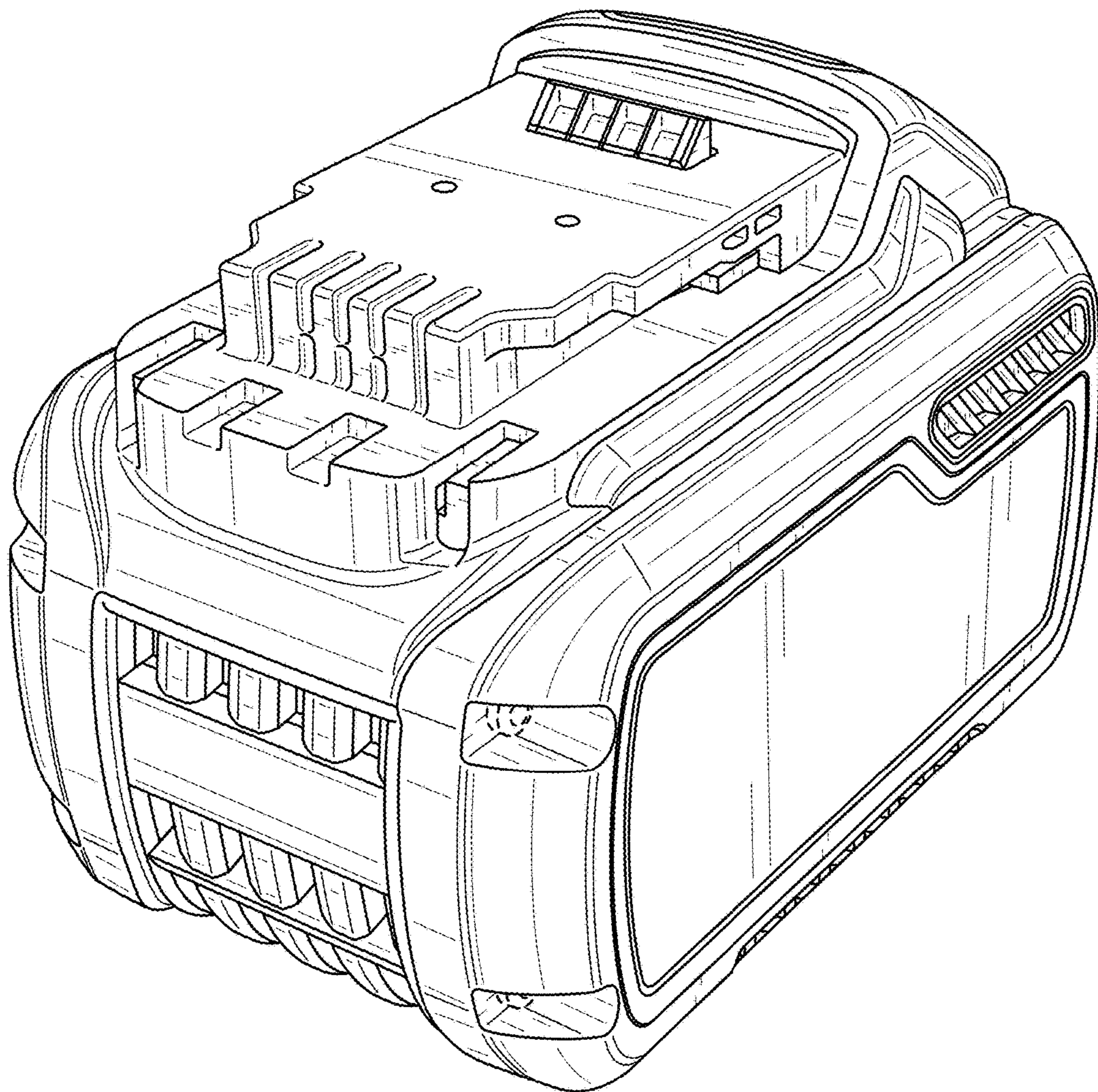


FIG. 10

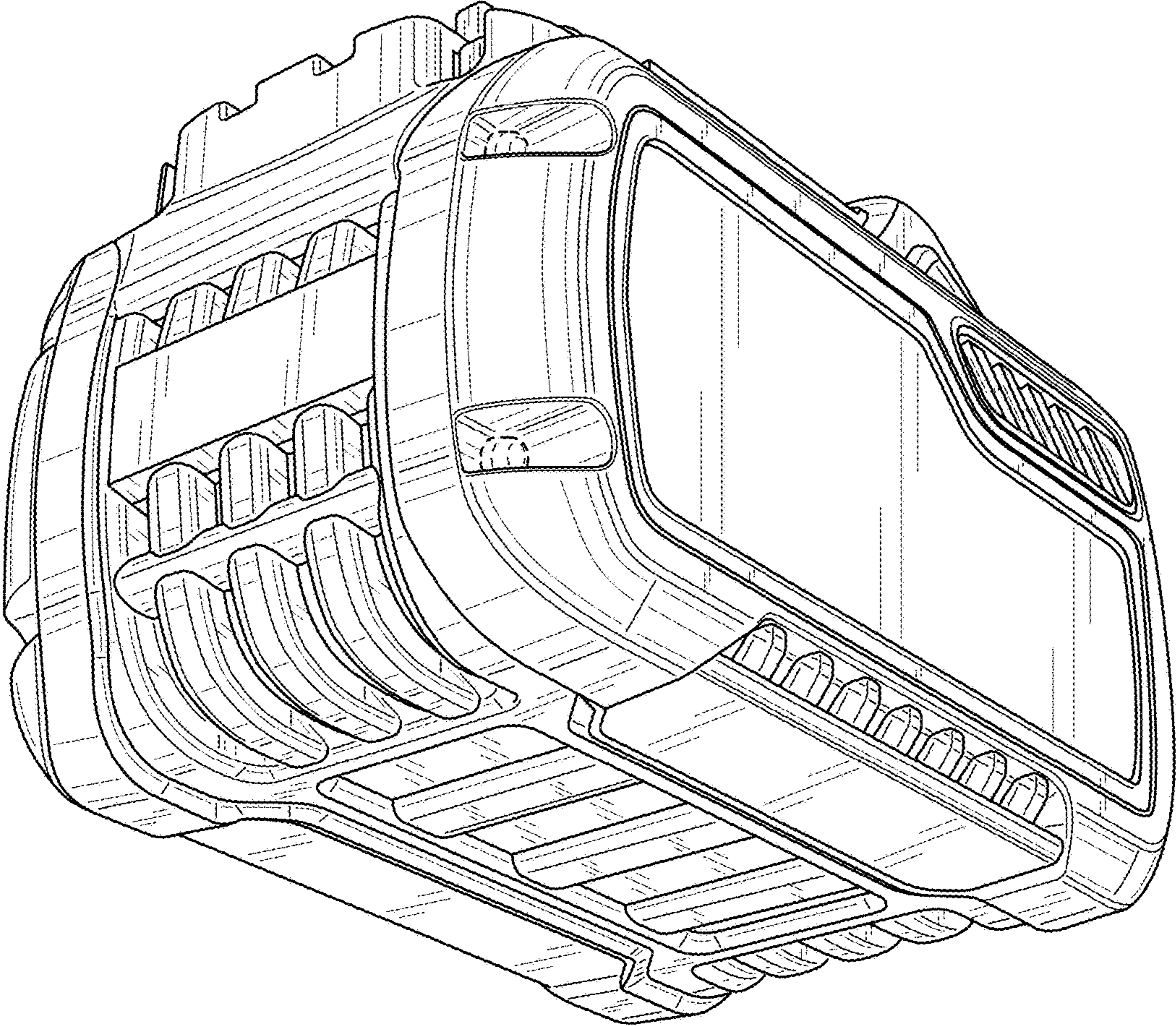


FIG. 11

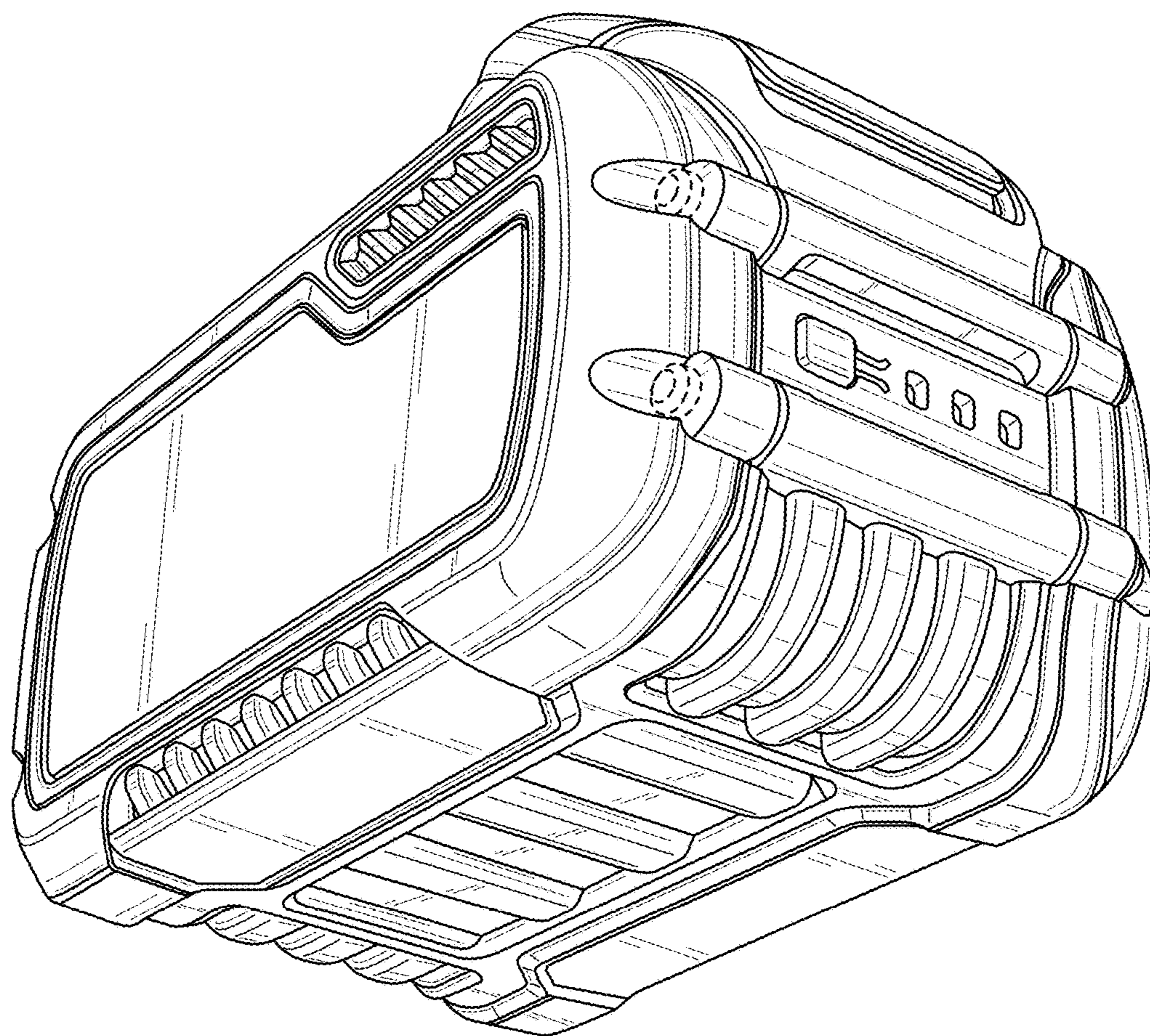


FIG. 12

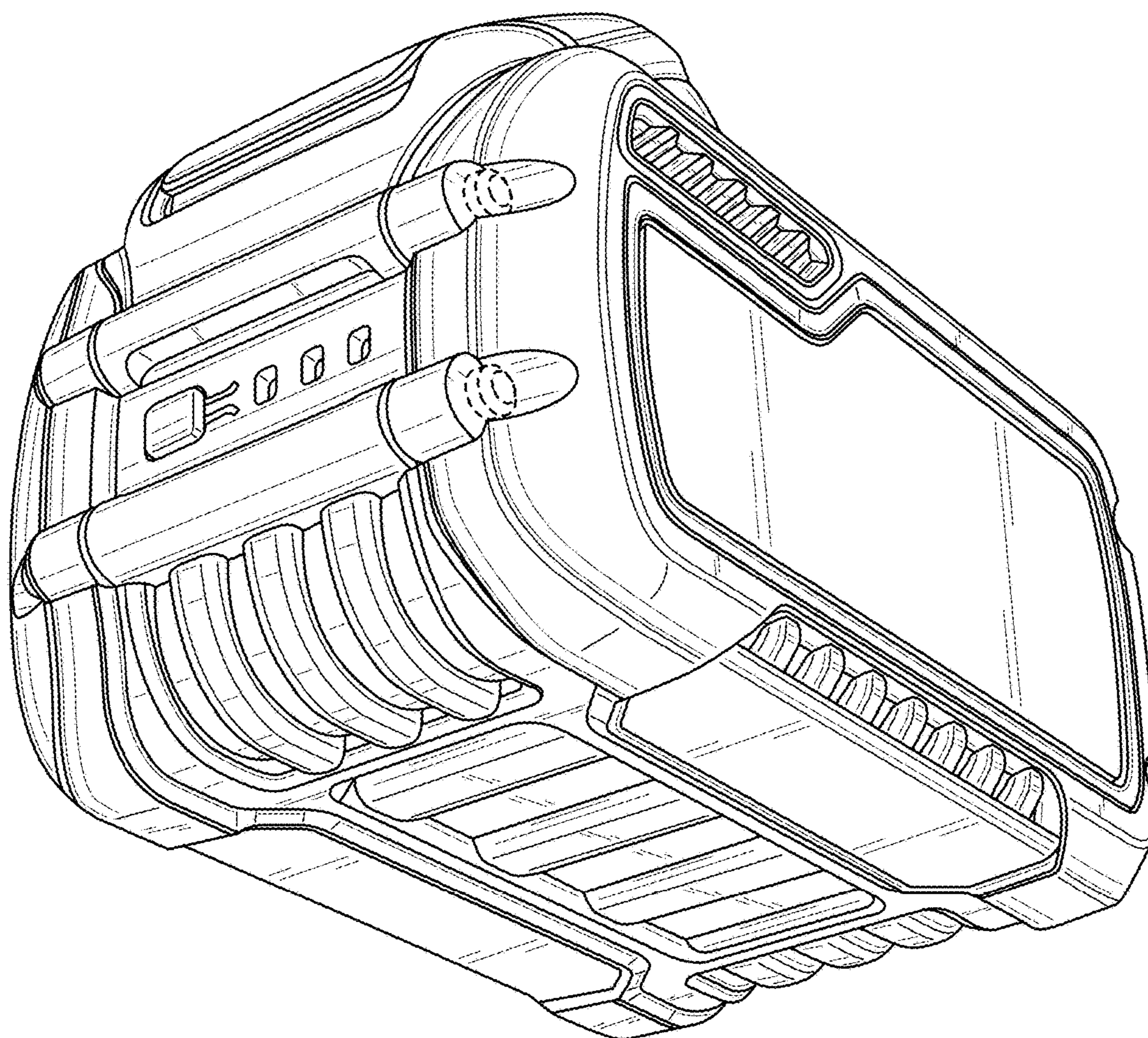


FIG. 13

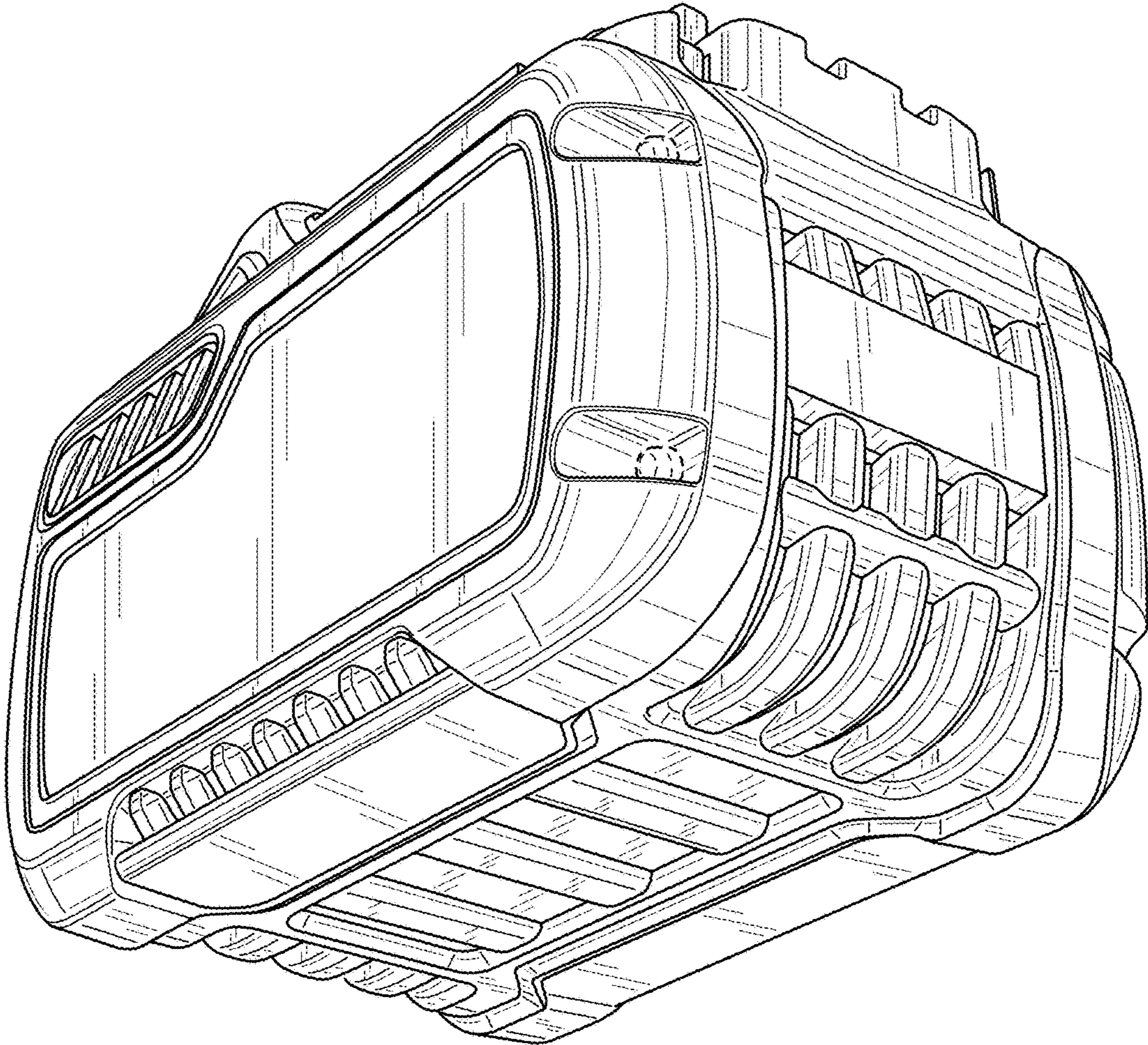


FIG. 14